

US00D502369S

(12) **United States Design Patent**
Nakamura

(10) **Patent No.:** **US D502,369 S**
(45) **Date of Patent:** **** Mar. 1, 2005**

(54) **STAPLER**
(75) **Inventor:** **Katsuya Nakamura, Tokyo (JP)**
(73) **Assignee:** **Max Co., Ltd., Tokyo (JP)**
(**) **Term:** **14 Years**

D436,009 S * 1/2001 Chi Kuo D8/50
D436,010 S * 1/2001 Nakamura D8/50
D465,139 S * 11/2002 Robillard D8/50
D478,486 S * 8/2003 Scola et al. D8/50

(21) **Appl. No.:** **29/202,415**
(22) **Filed:** **Mar. 31, 2004**
(30) **Foreign Application Priority Data**

FOREIGN PATENT DOCUMENTS

JP 1076184 S 6/2002

* cited by examiner

Primary Examiner—Adir Aronovich
(74) *Attorney, Agent, or Firm*—Morgan Lewis & Bockius LLP

Oct. 8, 2003 (JP) 2003-029665

(57) **CLAIM**

The ornamental design for a stapler, as shown and described.

(51) **LOC (7) Cl.** **19-02**
(52) **U.S. Cl.** **D8/50; D19/72**
(58) **Field of Search** D8/49, 50; D19/72;
227/120, 126, 127, 128, 131, 132, 134,
156

DESCRIPTION

FIG. 1 is a perspective view of the front, top and left side of a stapler showing my new design; FIG. 2 is a top plan view thereof; FIG. 3 is a front view thereof; FIG. 4 is a left side view thereof; FIG. 5 is a right side view thereof; and, FIG. 6 is a bottom view thereof.

(56) **References Cited**
U.S. PATENT DOCUMENTS

D420,266 S * 2/2000 Berry et al. D8/50
D424,898 S * 5/2000 Wilson et al. D8/50
6,152,347 A * 11/2000 Wilson et al. 227/134

1 Claim, 3 Drawing Sheets

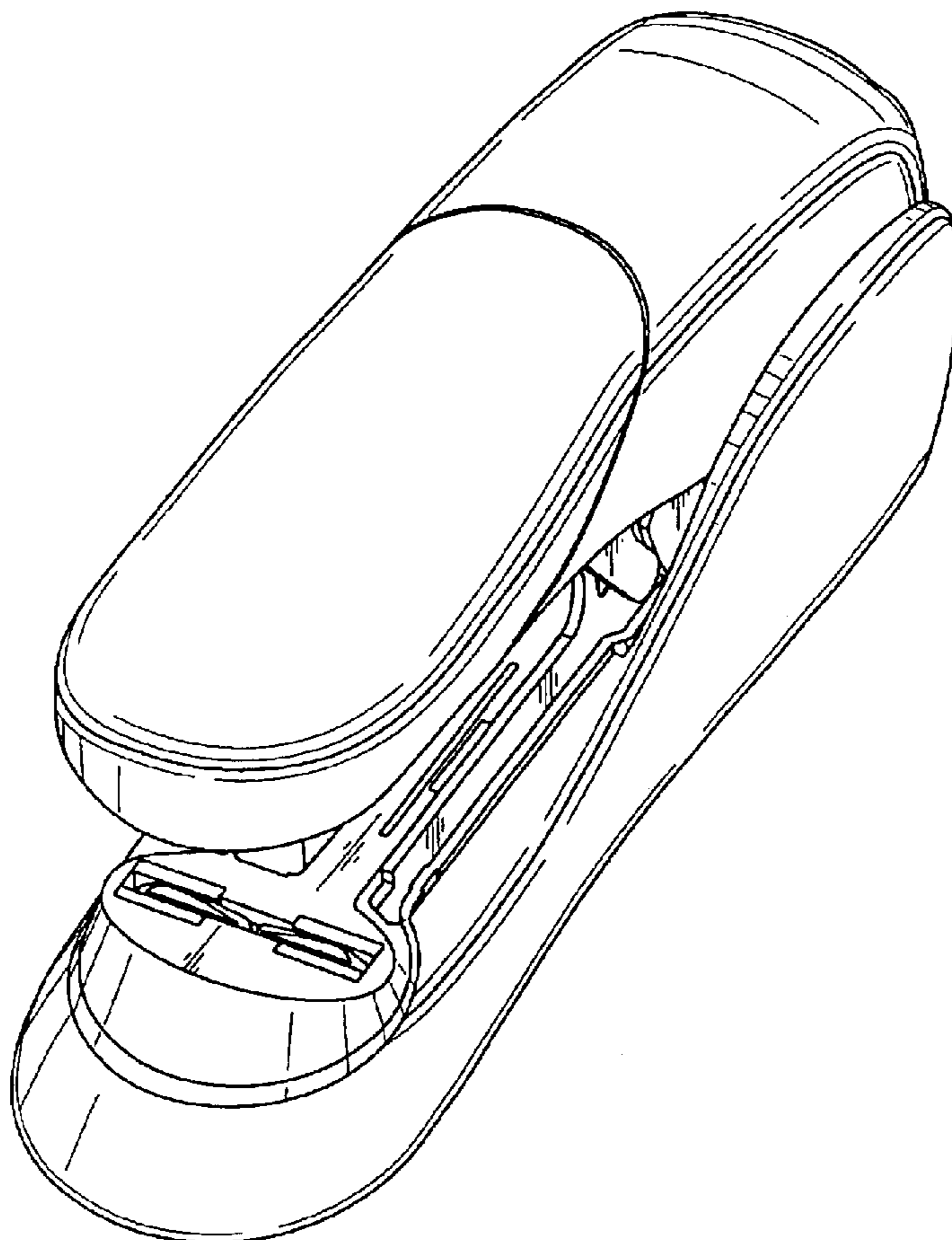


FIG. 1

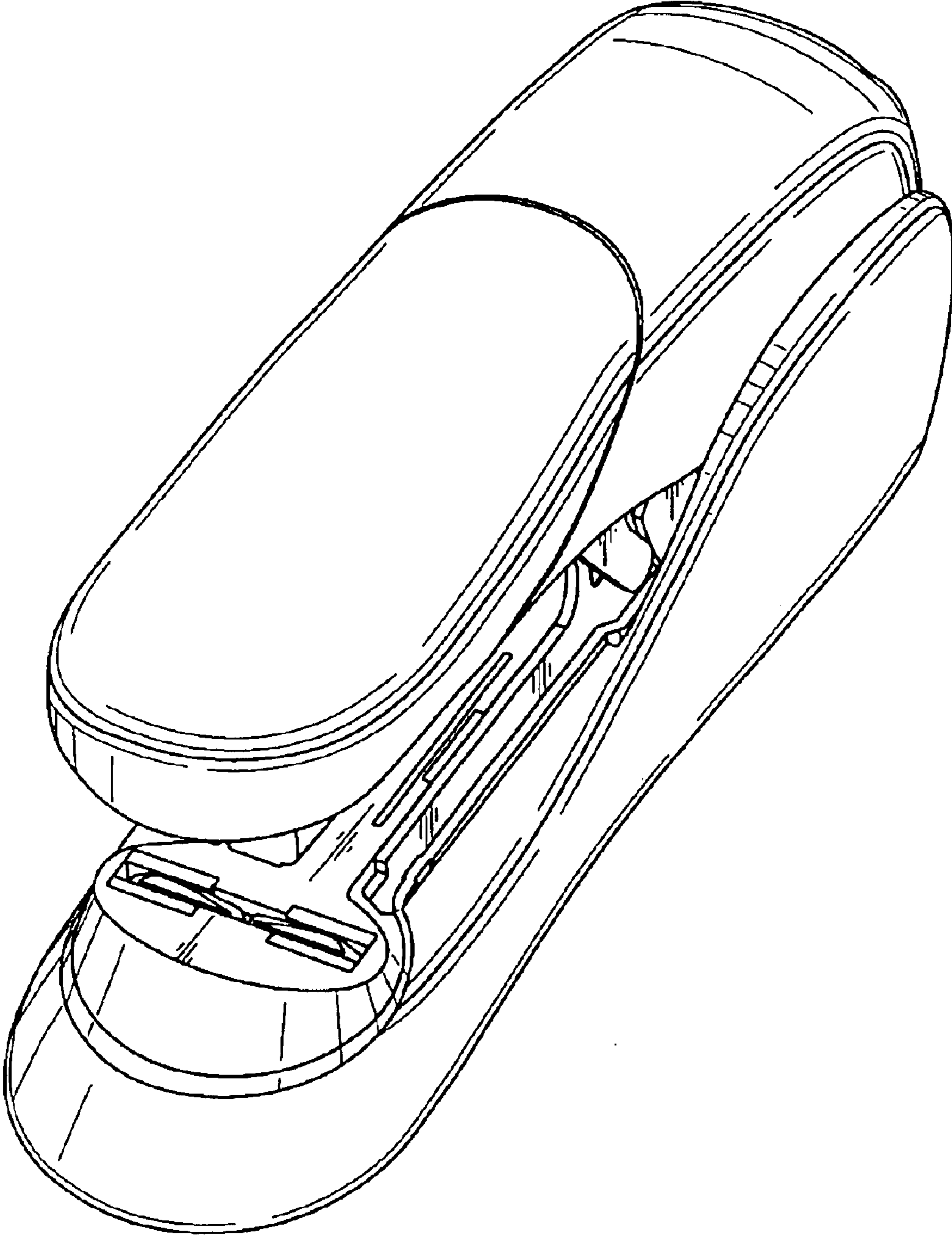


FIG. 2

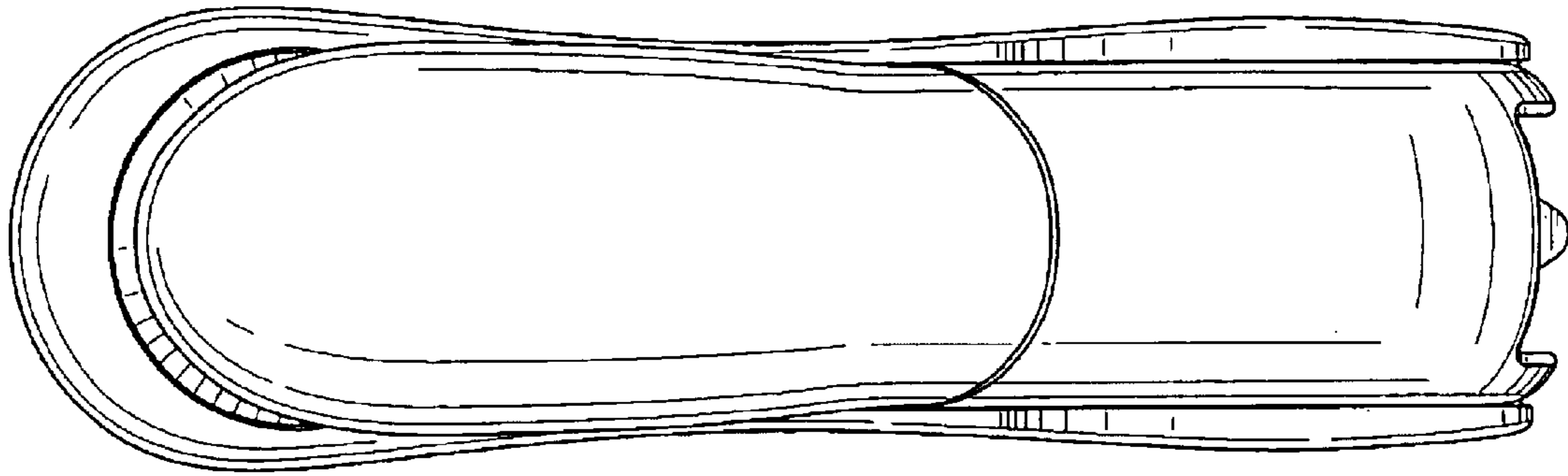


FIG. 3

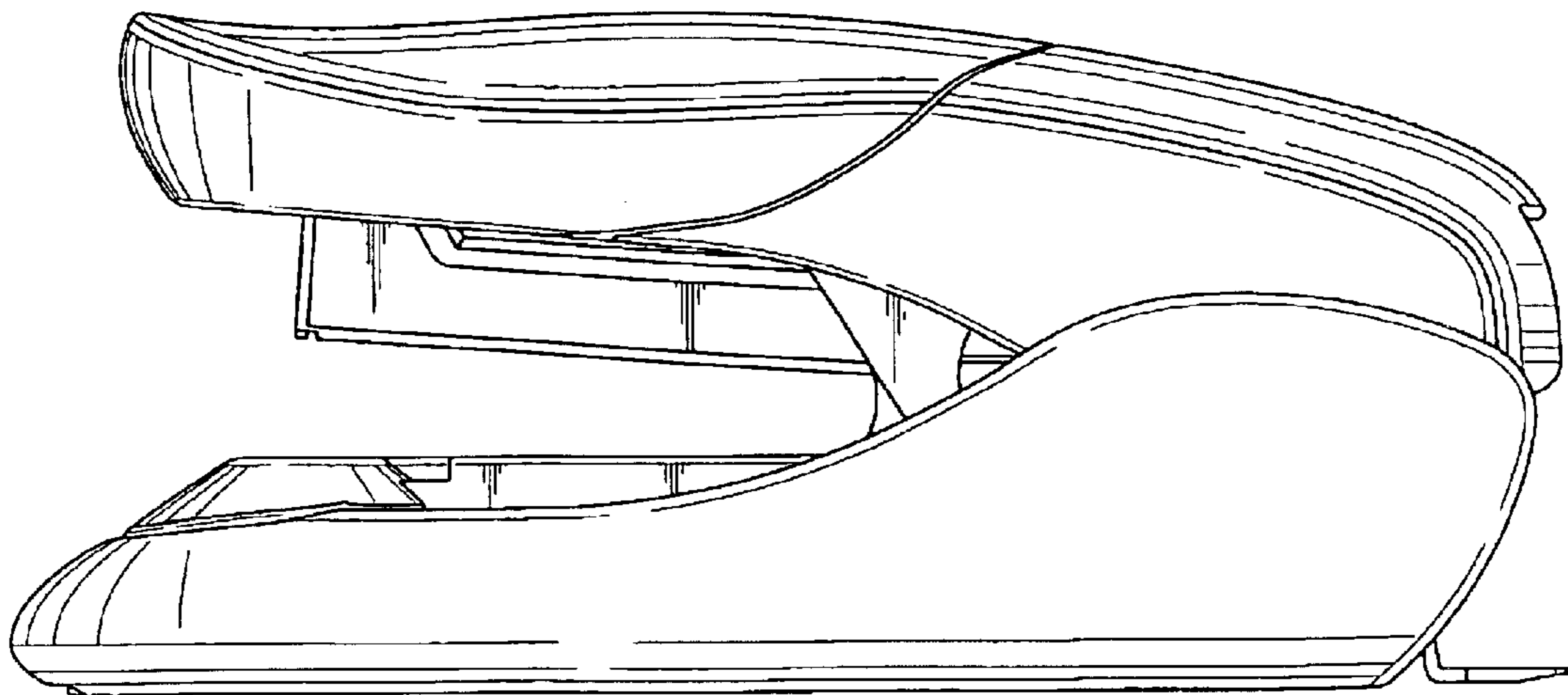


FIG. 4

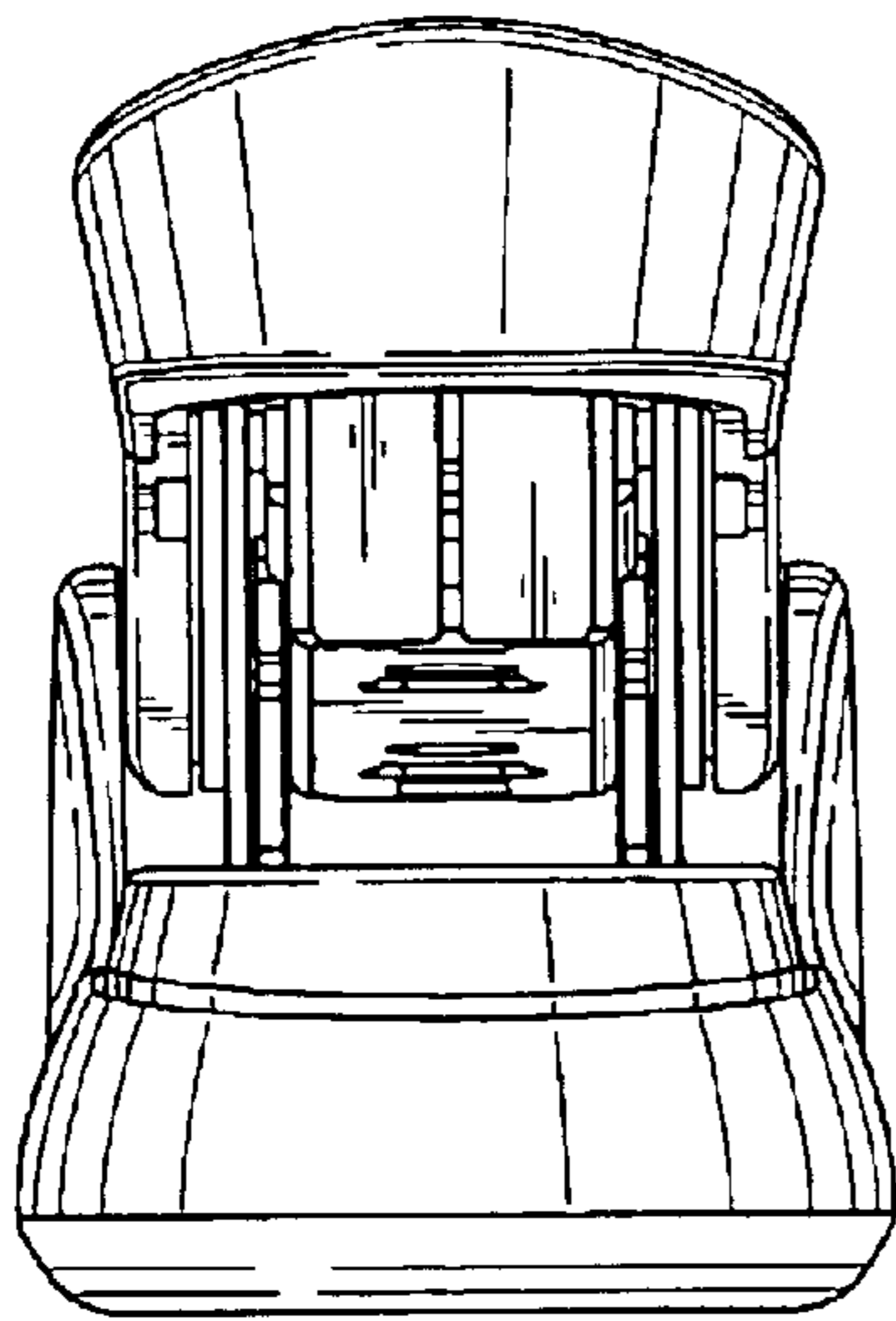


FIG. 5

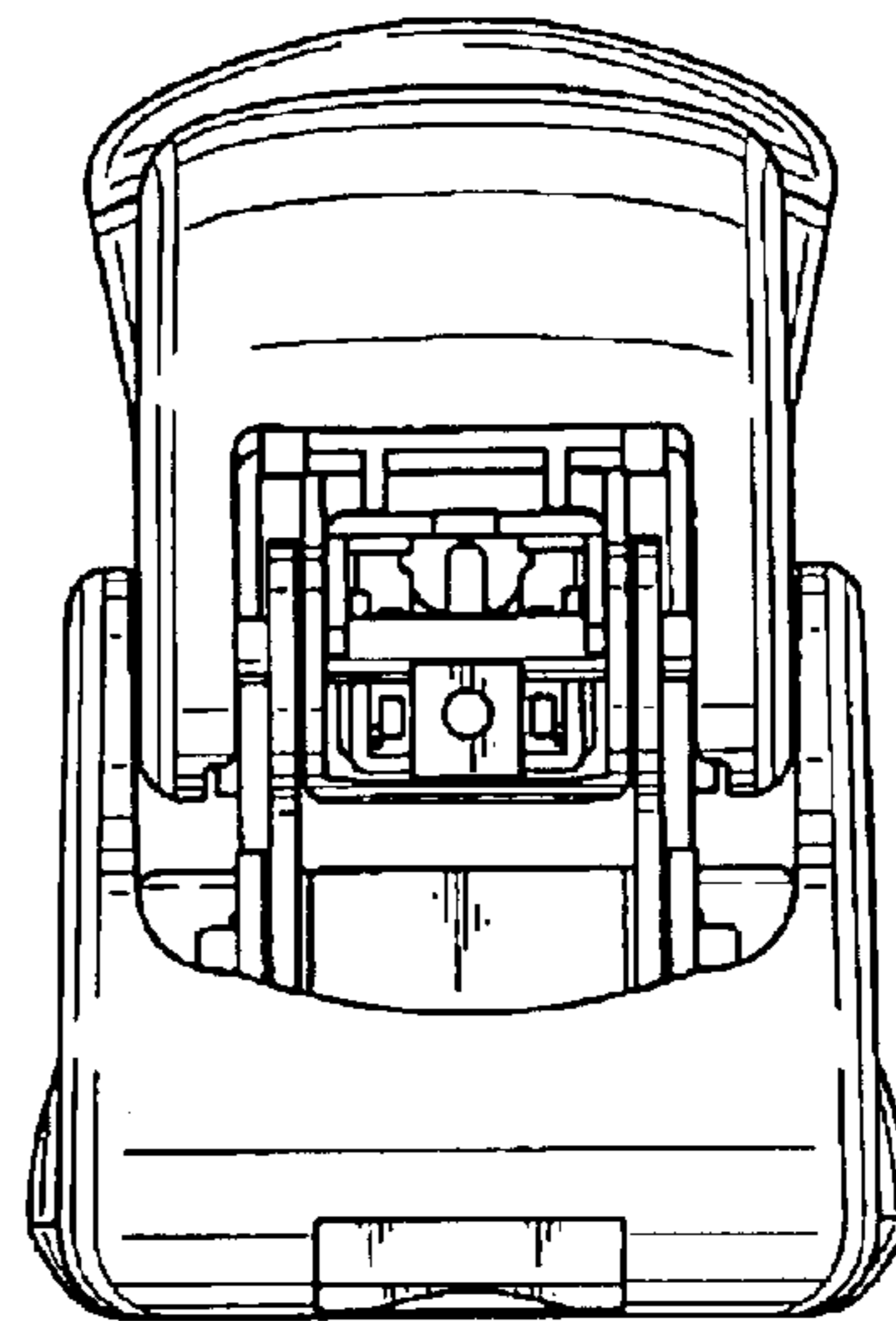


FIG. 6

