

US00D502368S

(12) **United States Design Patent**
Nyström et al.

(10) **Patent No.:** **US D502,368 S**
(45) **Date of Patent:** **** Mar. 1, 2005**

(54) **TRIMMER HEAD**

D482,581 S * 11/2003 Nystrom D8/8
D482,941 S * 12/2003 Nystrom D8/8

(75) Inventors: **Marcus Nyström**, SE-Norrahammar
(SE); **Evalena Sandberg**,
SE-Stockholm (SE)

* cited by examiner

(73) Assignee: **Aktiebolaget Electrolux**, Stockholm
(SE)

Primary Examiner—Holly Baynham
(74) *Attorney, Agent, or Firm*—Pearne & Gordon LLP

(**) Term: **14 Years**

(57) **CLAIM**

The ornamental design for a trimmer head, as shown and described.

(21) Appl. No.: **29/207,491**

(22) Filed: **Jun. 15, 2004**

DESCRIPTION

(51) **LOC (7) Cl.** **08-01**

FIG. 1 is a first perspective view, showing our new trimmer head.

(52) **U.S. Cl.** **D8/8**

FIG. 2 is an elevation view thereof;

(58) **Field of Search** D8/8; 56/12.7

FIG. 3 is a top plan view thereof; and,

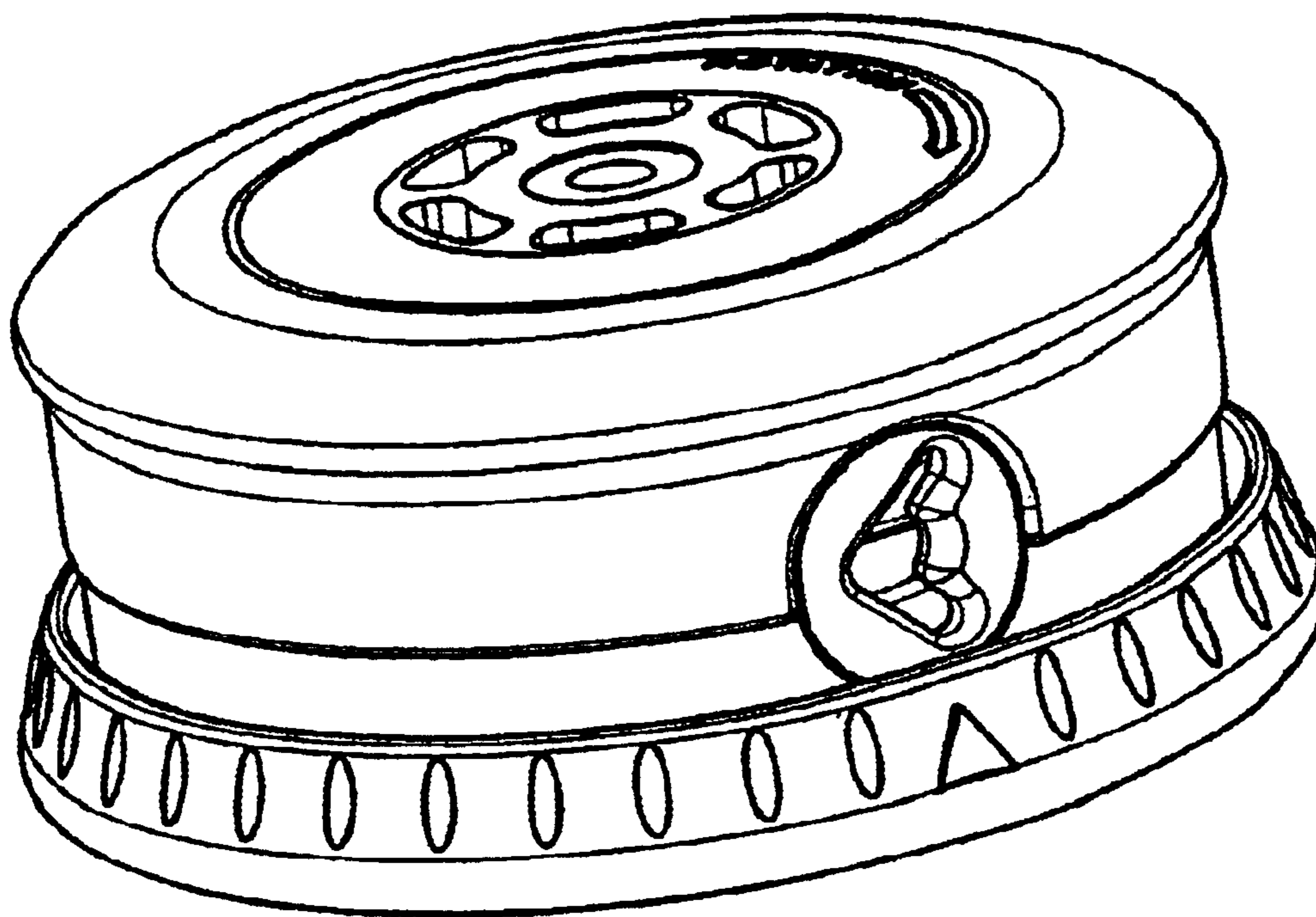
FIG. 4 is a bottom plan view thereof.

(56) **References Cited**

U.S. PATENT DOCUMENTS

D460,904 S * 7/2002 Riley et al. D8/8

1 Claim, 4 Drawing Sheets



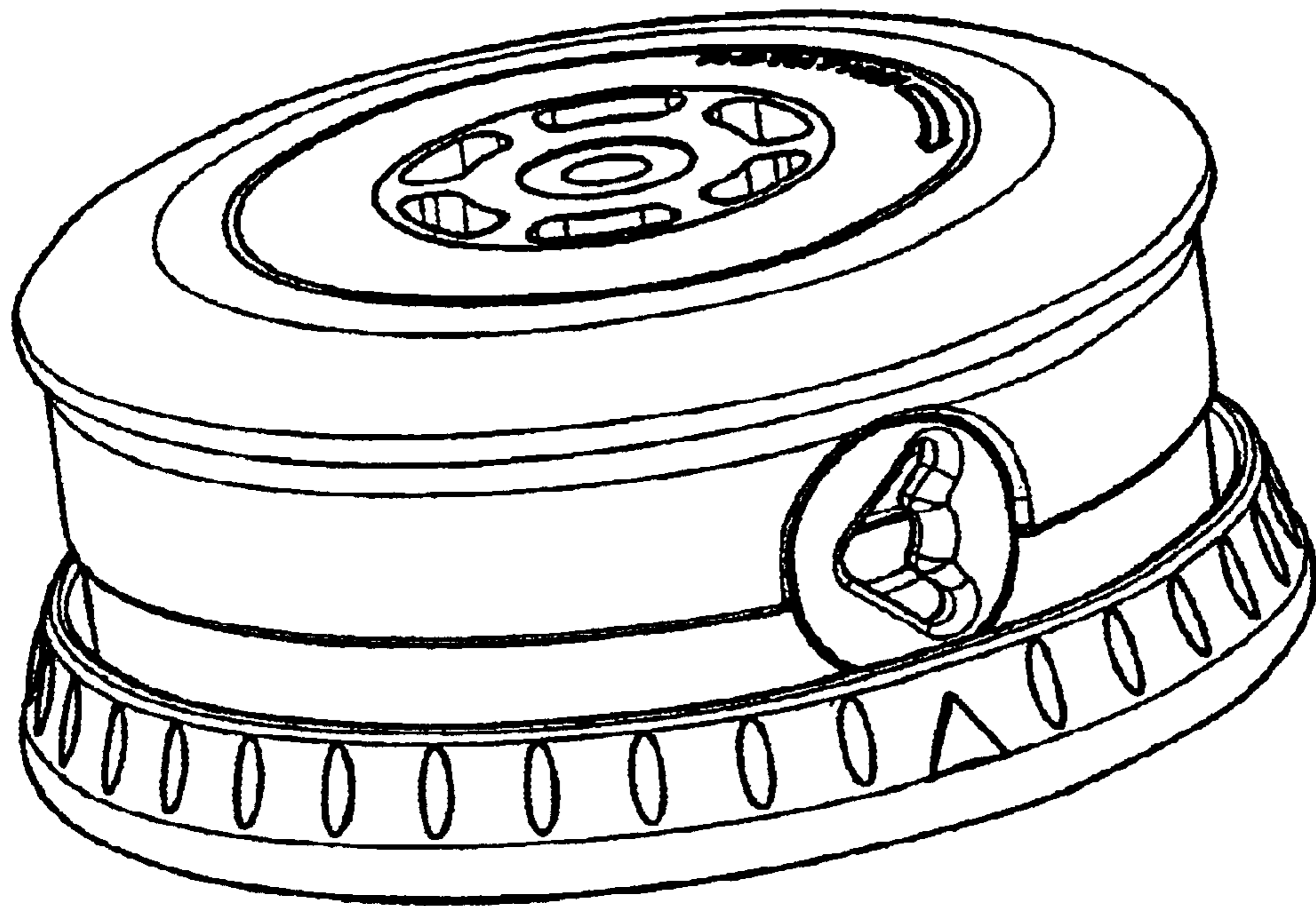


FIG. 1

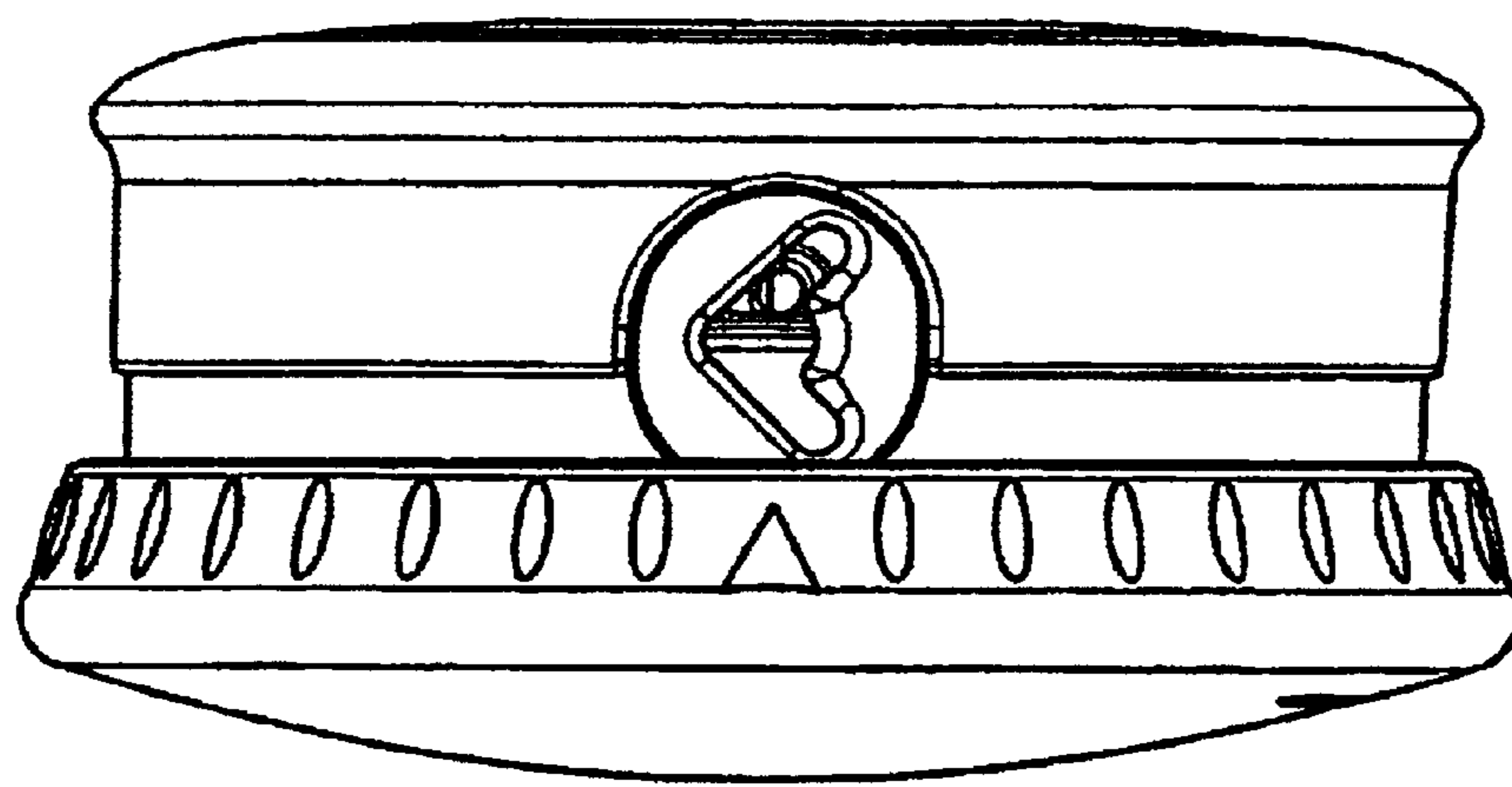


FIG. 2

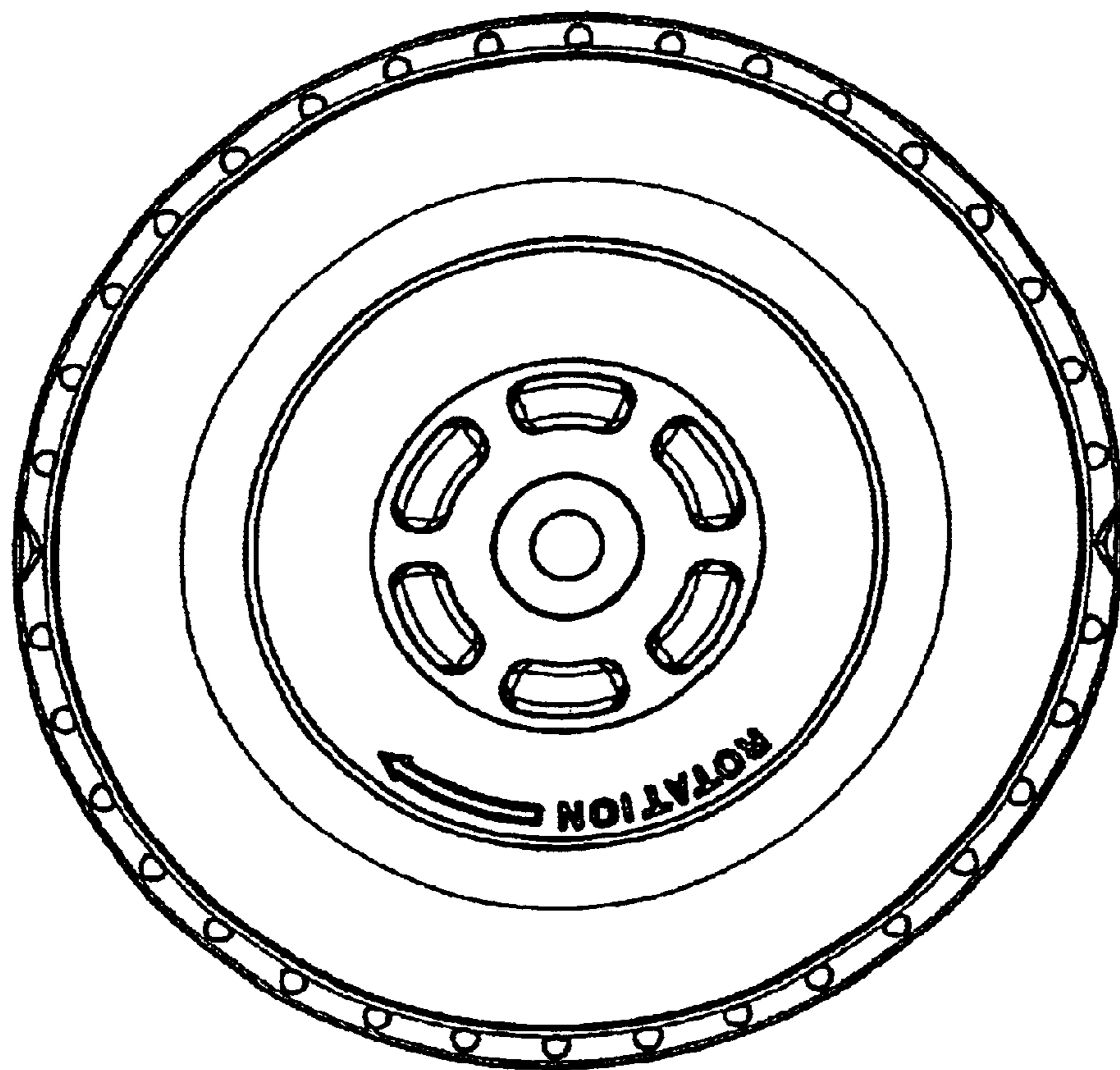


FIG. 3

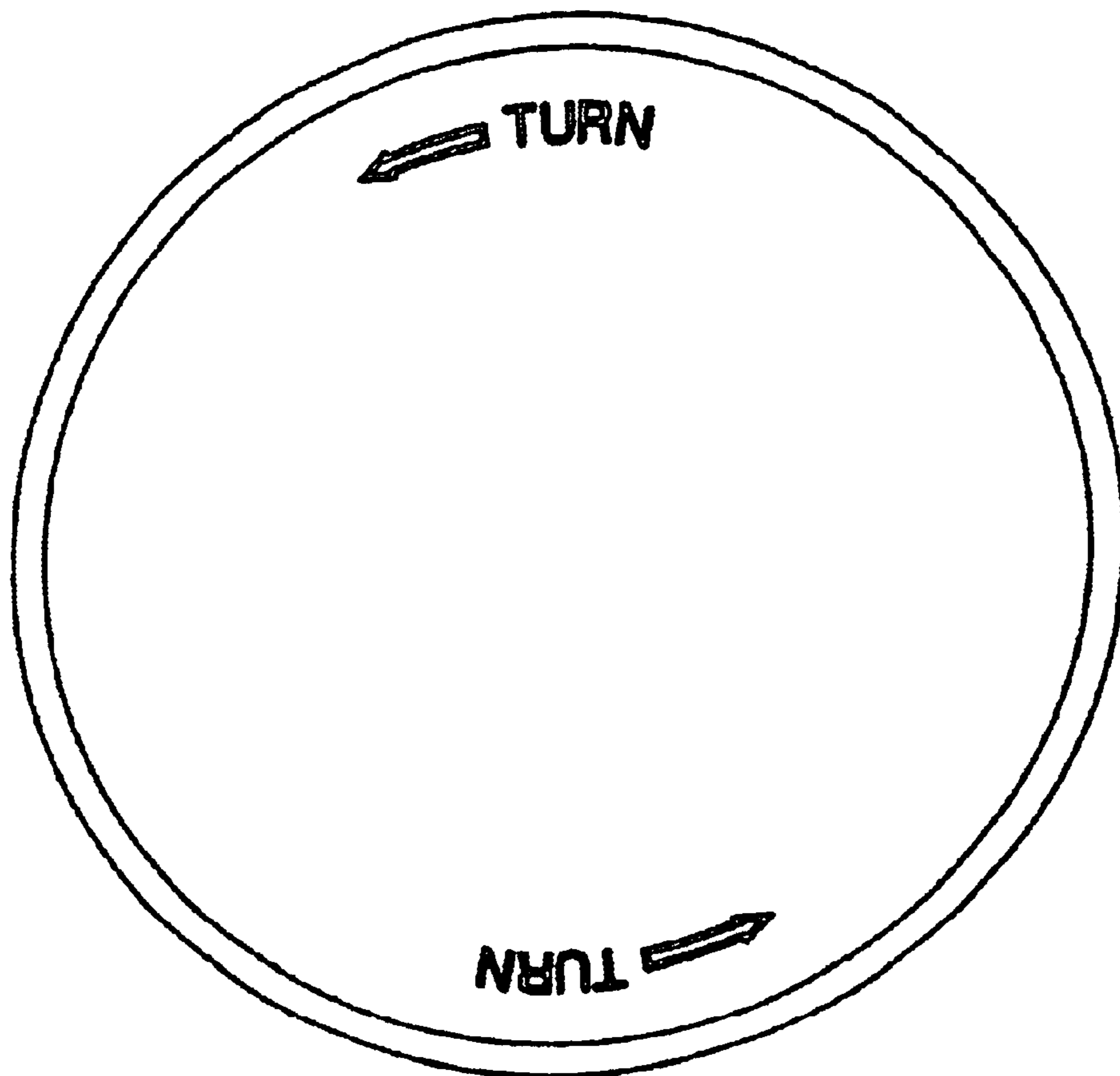


FIG. 4