

US00D502367S

(12) **United States Design Patent**  
**Claypool et al.**

(10) **Patent No.:** **US D502,367 S**  
(45) **Date of Patent:** **\*\* Mar. 1, 2005**

- (54) **TONGS**
- (75) Inventors: **Christopher J. Claypool**, Orlando, FL (US); **Hector Javier Barea Lugo**, Orlando, FL (US); **John E. Sumter**, Sanford, FL (US)
- (73) Assignee: **Dart Industries Inc.**, Orlando, FL (US)
- (\*\*) Term: **14 Years**
- (21) Appl. No.: **29/203,202**
- (22) Filed: **Apr. 9, 2004**

**Related U.S. Application Data**

- (62) Division of application No. 29/182,665, filed on May 29, 2003, now Pat. No. Des. 491,028.
- (51) **LOC (7) Cl.** ..... **07-06**
- (52) **U.S. Cl.** ..... **D7/686**
- (58) **Field of Search** ..... D7/683, 686-688; 294/3, 8.5, 11, 16, 99.1, 118, 119

(56) **References Cited**

**U.S. PATENT DOCUMENTS**

2,249,551 A	7/1941	Zohe
2,304,966 A	12/1942	Thrower
D141,909 S	7/1945	Tamblyn
3,356,405 A	12/1967	Gruber
3,596,965 A	8/1971	Woofter
3,640,561 A	2/1972	Law
4,223,936 A	9/1980	Jorgensen
4,535,538 A	8/1985	Nelson
4,606,569 A	8/1986	Dunn et al.

D298,398 S	* 11/1988	Trahar	.....	D7/687
4,823,419 A	4/1989	Stimpson		
4,835,864 A	6/1989	Tang		
4,955,971 A	9/1990	Goulter		
D313,537 S	* 1/1991	Chisholm	.....	D7/686
4,984,367 A	1/1991	Albanese		
5,054,835 A	10/1991	Loechel et al.		
5,199,756 A	4/1993	Bartlett et al.		
5,403,052 A	4/1995	Lampron		
5,542,181 A	8/1996	Gaylord		
D376,514 S	12/1996	Torkelson		
5,934,721 A	8/1999	Walde	.....	294/3
6,056,338 A	5/2000	Kerr	.....	294/16
6,089,631 A	7/2000	Thurlow et al.	.....	294/16
6,092,847 A	7/2000	Kwan	.....	294/16
6,217,092 B1	4/2001	Spicker	.....	294/16
6,276,734 B1	8/2001	Krieger	.....	294/99.2

\* cited by examiner

*Primary Examiner*—Terry A. Wallace  
(74) *Attorney, Agent, or Firm*—John A. Doninger

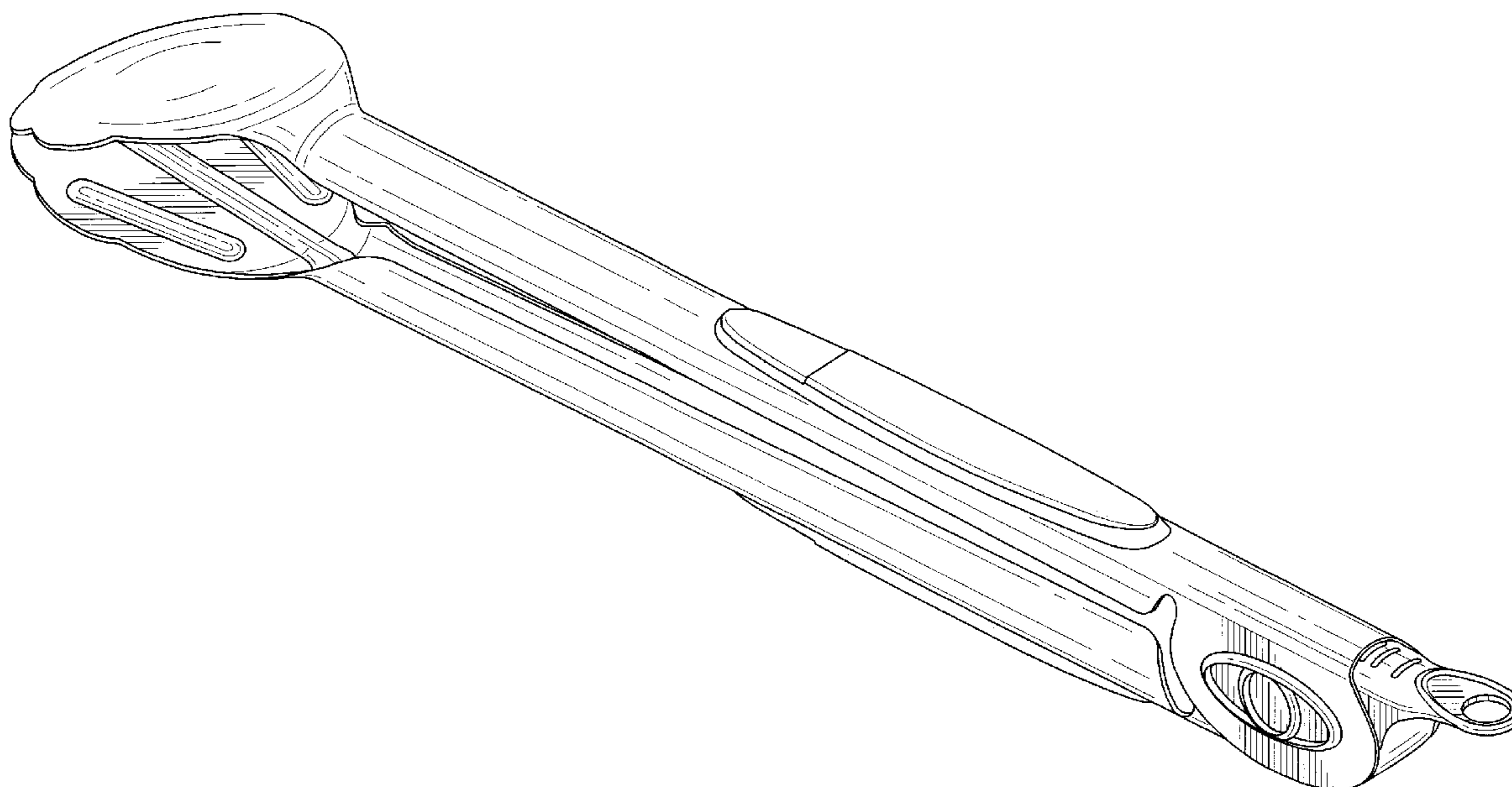
(57) **CLAIM**

The ornamental design for tongs, as shown and described.

**DESCRIPTION**

FIG. 1 is a perspective view of the tongs showing our new design;  
FIG. 2 is a right side elevation view thereof, the opposite side being a mirror image;  
FIG. 3 is a top plan view thereof;  
FIG. 4 is a bottom plan view thereof;  
FIG. 5 is a front elevation view thereof; and,  
FIG. 6 is a rear elevation view thereof.

**1 Claim, 4 Drawing Sheets**



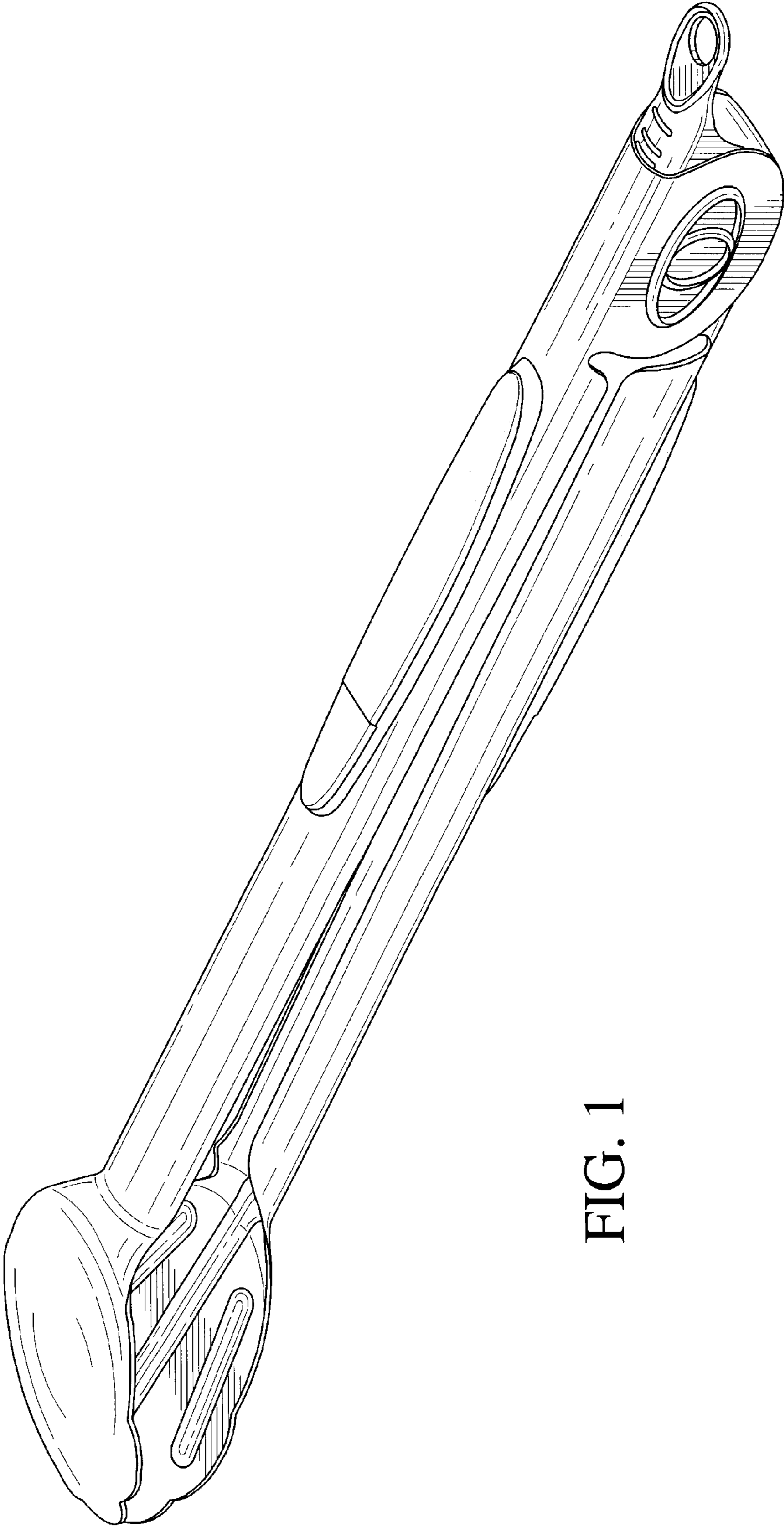


FIG. 1

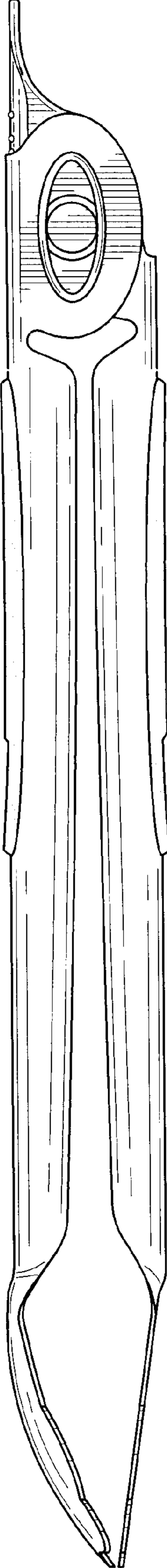


FIG. 2

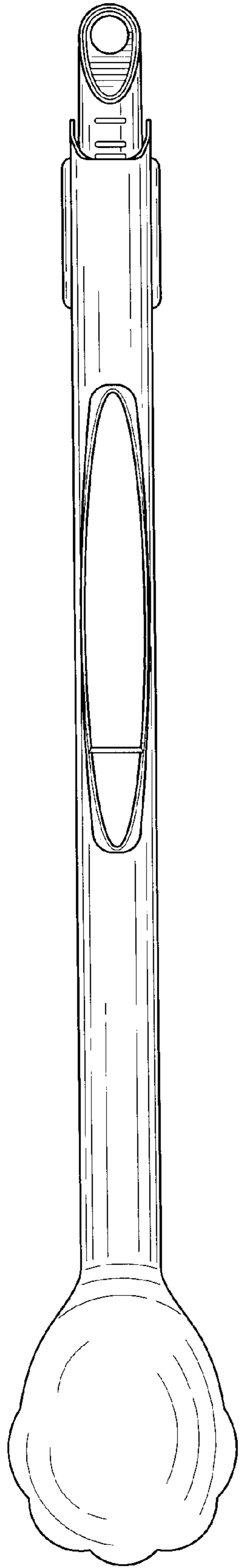


FIG. 3

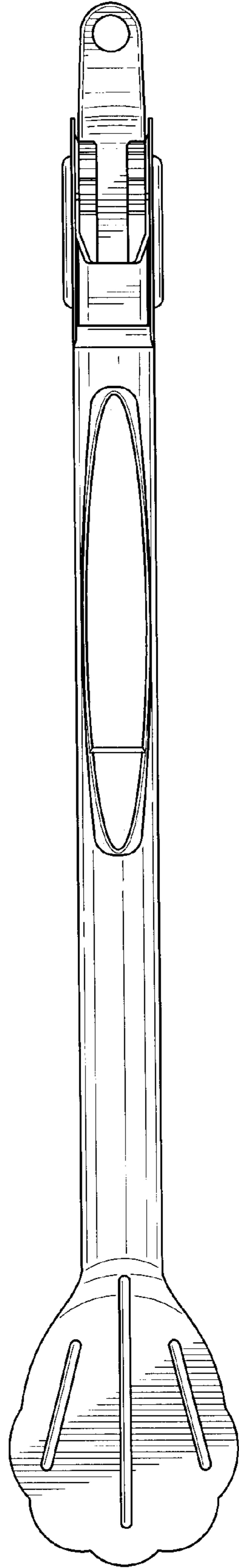


FIG. 4

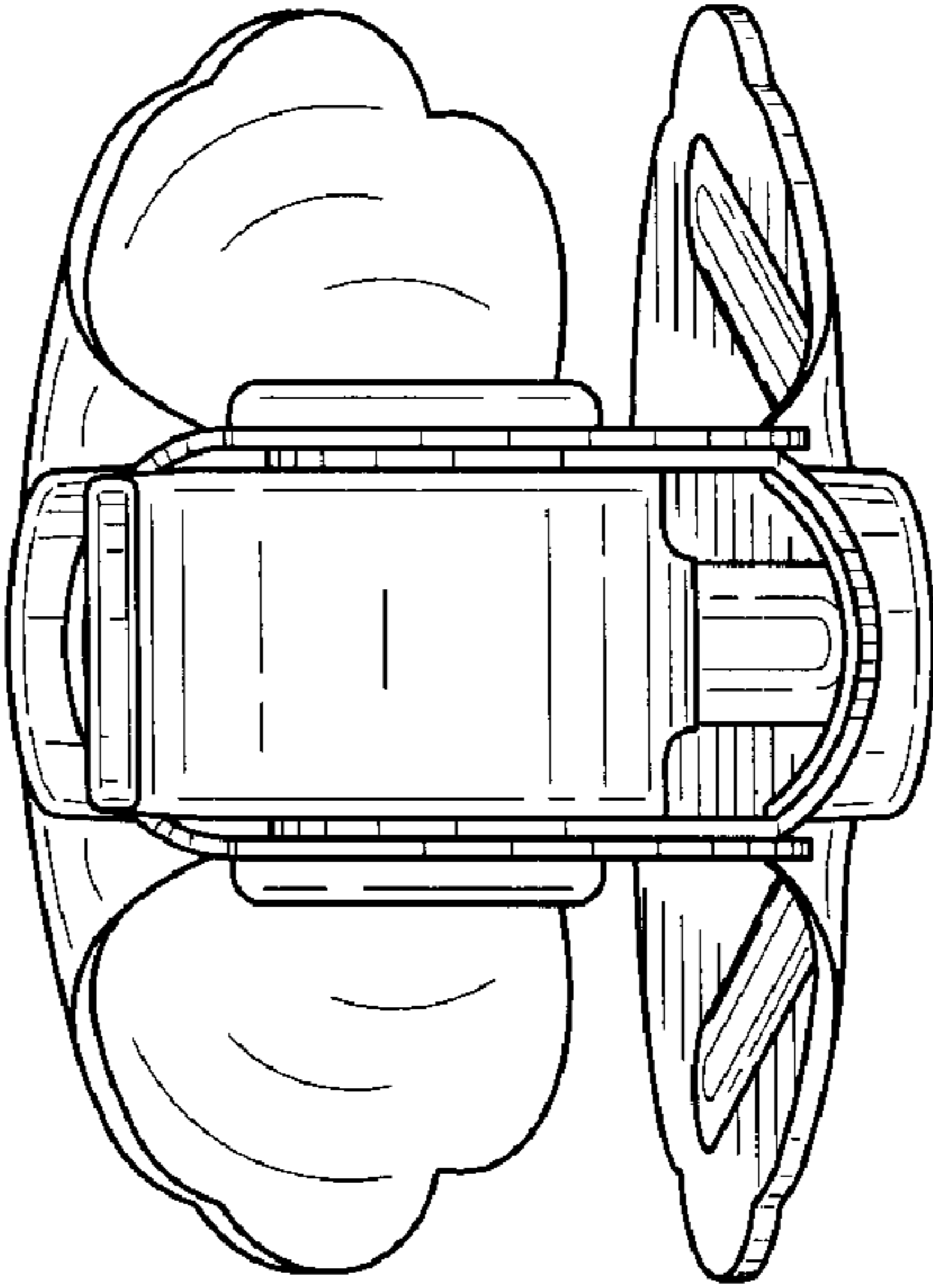


FIG. 6

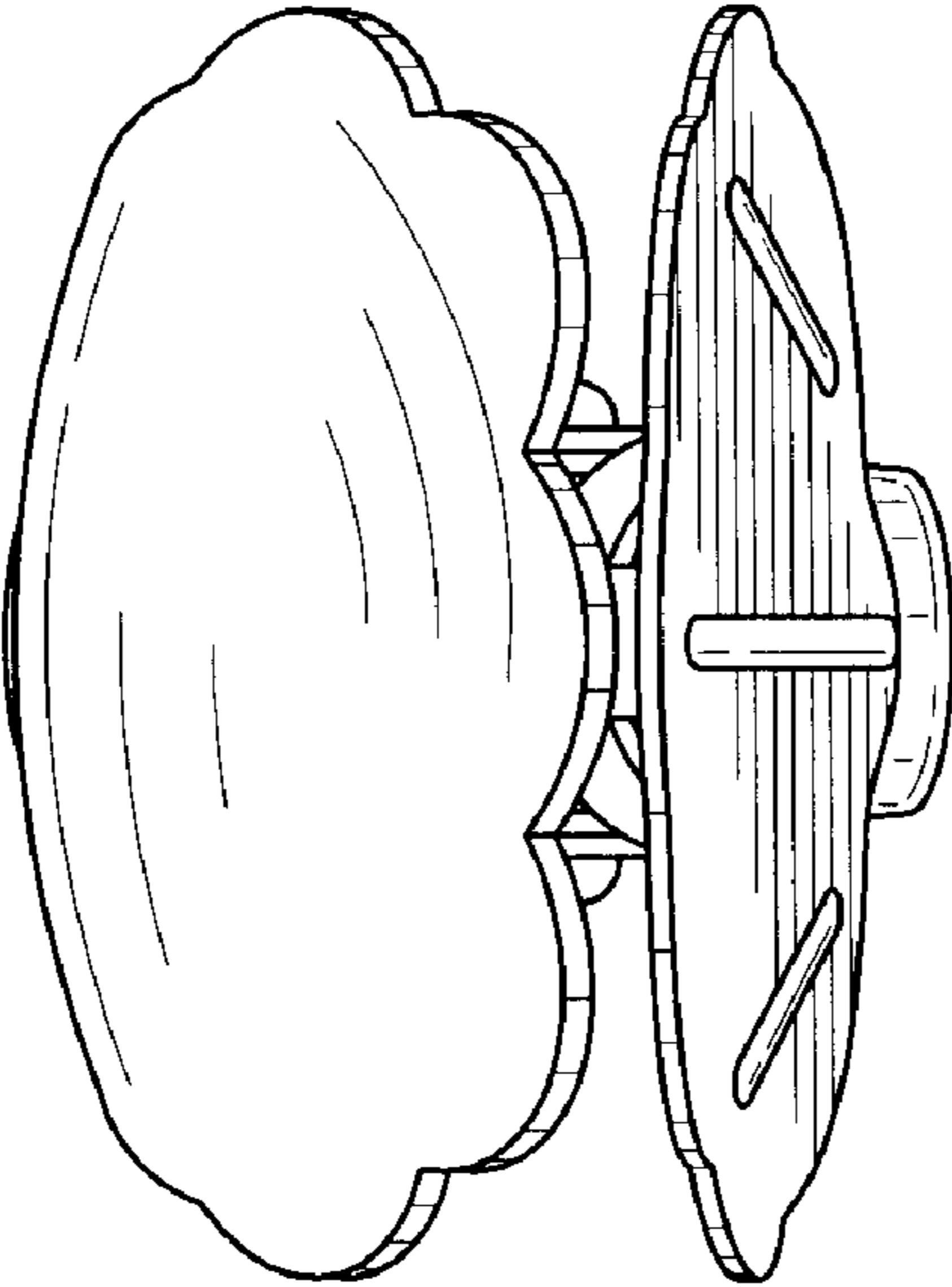


FIG. 5