



US00D502358S

(12) **United States Design Patent**
Weaden

(10) **Patent No.:** **US D502,358 S**

(45) **Date of Patent:** **** Mar. 1, 2005**

(54) **KITCHEN BLENDER/PROCESSOR**

(75) **Inventor:** **Jamie Weaden, Hampshire (GB)**

(73) **Assignee:** **Kenwood Marks Limited, Hampshire (GB)**

(**) **Term:** **14 Years**

(21) **Appl. No.:** **29/197,024**

(22) **Filed:** **Jan. 8, 2004**

(51) **LOC (7) Cl.** **31-00**

(52) **U.S. Cl.** **D7/378; D7/384**

(58) **Field of Search** D7/300.1, 376-386,
D7/412, 413; 99/331, 337, 348, 492, 509-511;
215/222; 241/33-37.5, 101.01-101.2, 273.1-278.2,
282.1, 282.2; 366/129, 130, 142, 197-201,
205-207, 214, 241-251, 279-282

(56) **References Cited**

U.S. PATENT DOCUMENTS

- D114,673 S * 5/1939 Cravaritis D7/300.1
- D115,517 S * 7/1939 Hook D7/378
- D155,089 S * 9/1949 Karstadt D7/378
- D175,601 S * 9/1955 Huck, Sr. D7/386
- D199,888 S * 12/1964 Dewenter D7/378
- D204,924 S * 5/1966 Di Sesa D7/378
- D214,227 S * 5/1969 Madl D7/378
- 3,537,691 A * 11/1970 Miwa et al. 241/282.2
- D394,986 S * 6/1998 Lallemand D7/378
- D444,344 S * 7/2001 Barthelemy et al. D7/378

- D453,443 S * 2/2002 Hoare et al. D7/378
- D466,362 S * 12/2002 Moore D7/378
- D466,759 S * 12/2002 Moore D7/378
- D484,357 S * 12/2003 Seum et al. D7/378

* cited by examiner

Primary Examiner—Caron D. Veynar

(74) *Attorney, Agent, or Firm*—Martin Fleit; Paul D. Bianco; Fleit Kain Gibbons Gutman Bongini & Bianco P.L.

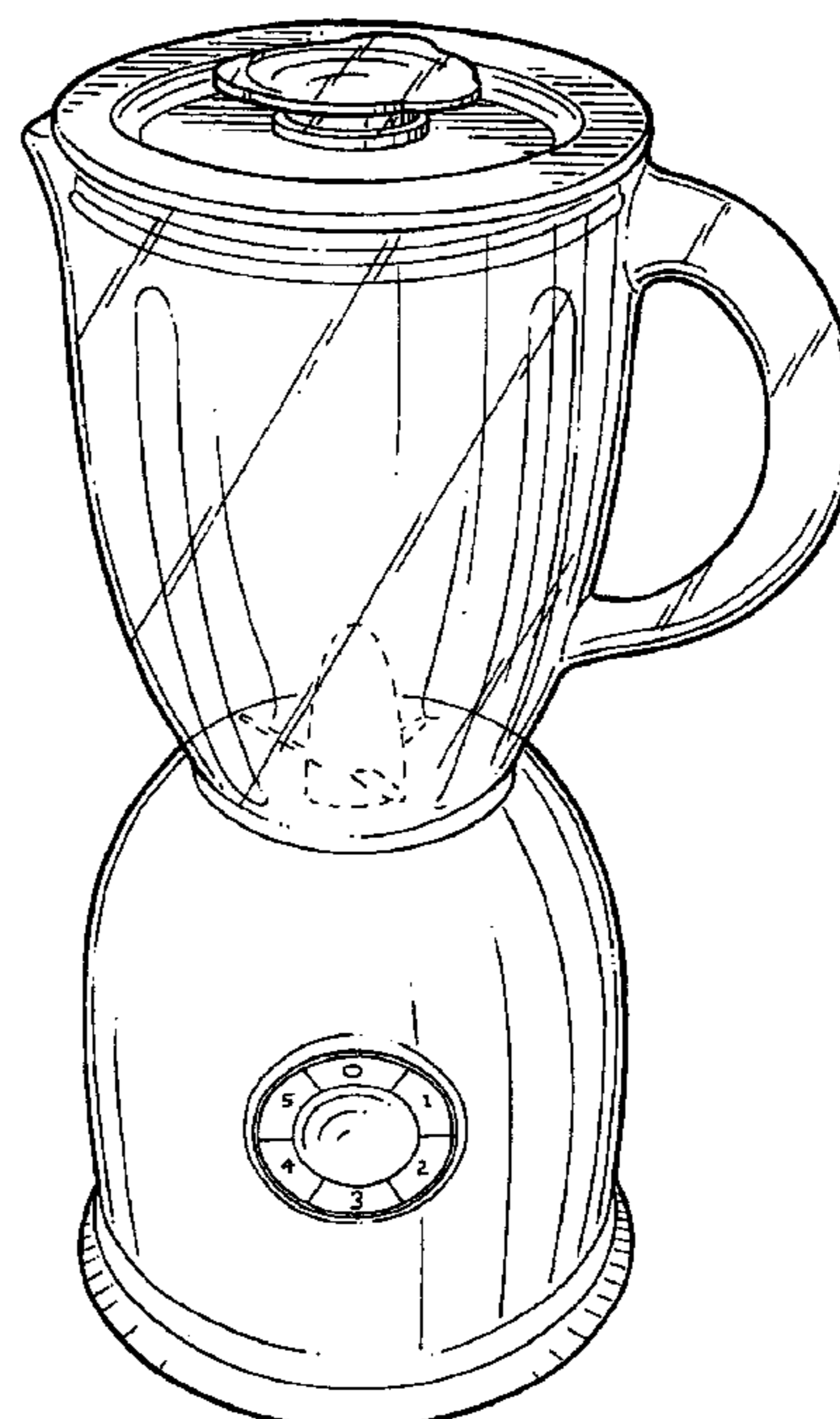
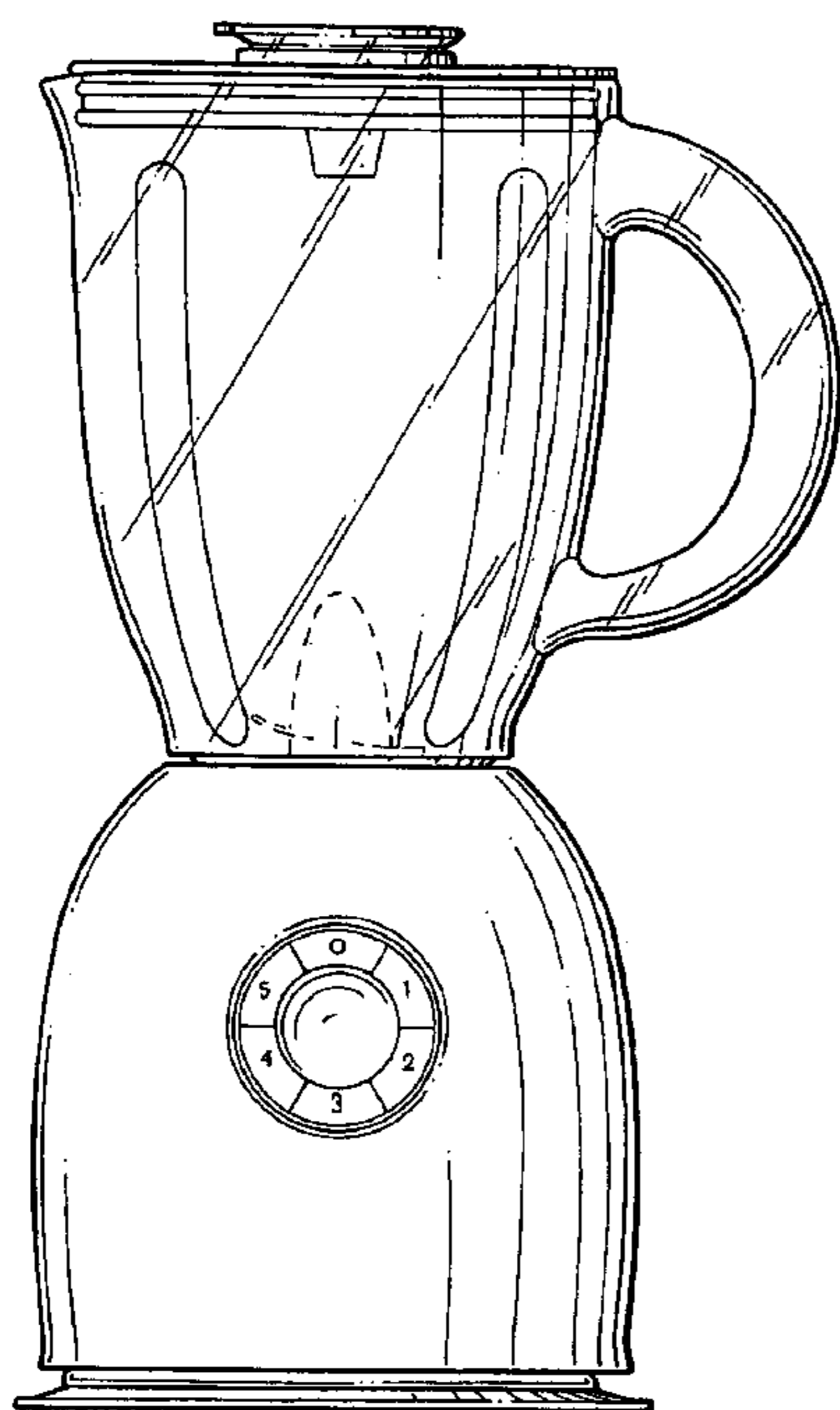
(57) **CLAIM**

The ornamental design for a kitchen blender/processor, as shown and described.

DESCRIPTION

FIG. 1 is a front elevational view of the novel kitchen blender/processor showing its new design;
 FIG. 2 is a perspective view of the novel kitchen blender/processor shown in FIG. 1;
 FIG. 3 is a top perspective view of the novel kitchen blender/processor shown in FIG. 1;
 FIG. 4 is a side perspective view of the novel kitchen blender/processor shown in FIG. 1;
 FIG. 5 is the opposite side perspective view of the novel kitchen blender/processor shown in FIG. 1;
 FIG. 6 is a top view of the kitchen blender/processor shown in FIG. 1; and,
 FIG. 7 is a bottom view of the kitchen blender/processor shown in FIG. 1.

1 Claim, 7 Drawing Sheets



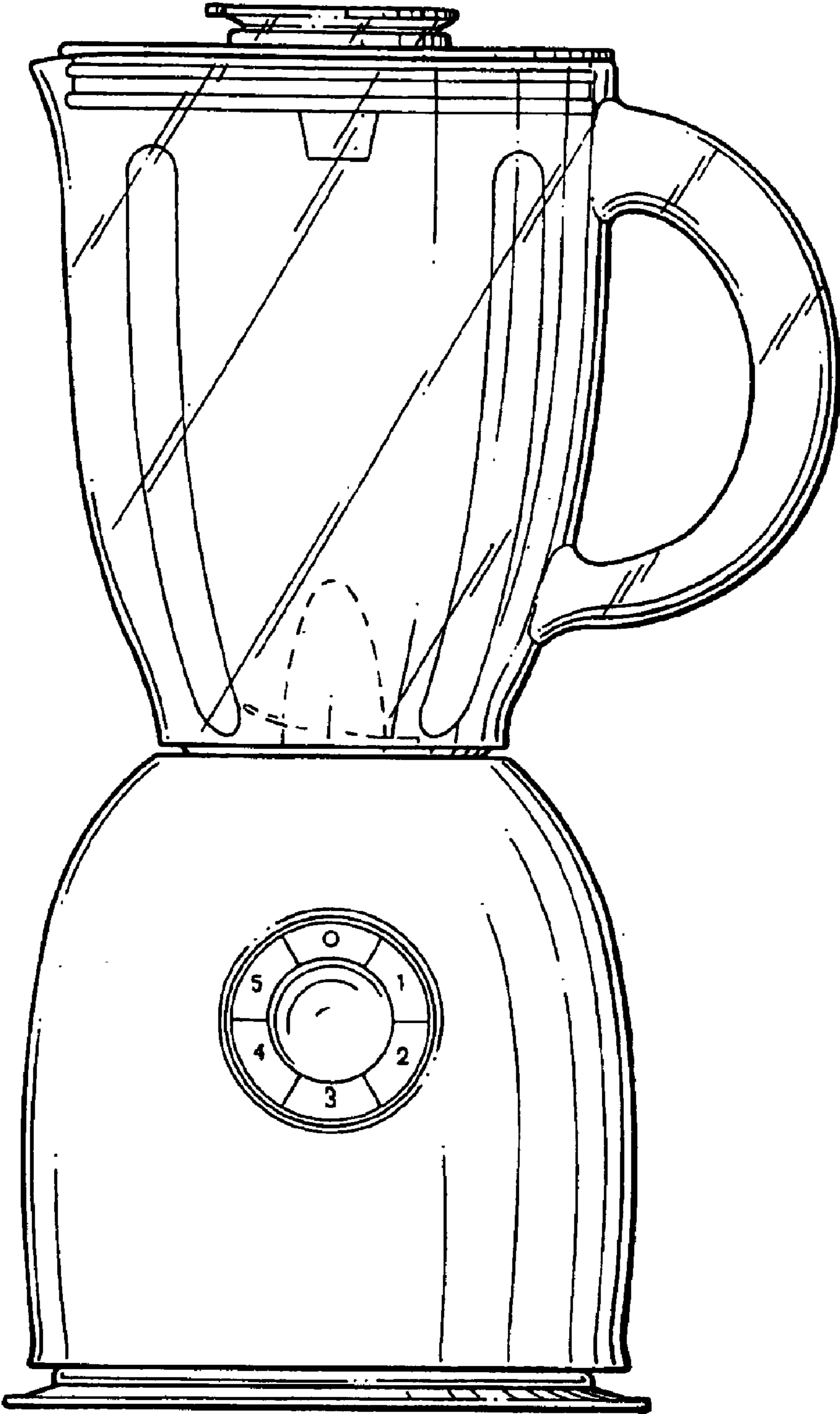


FIG. 1

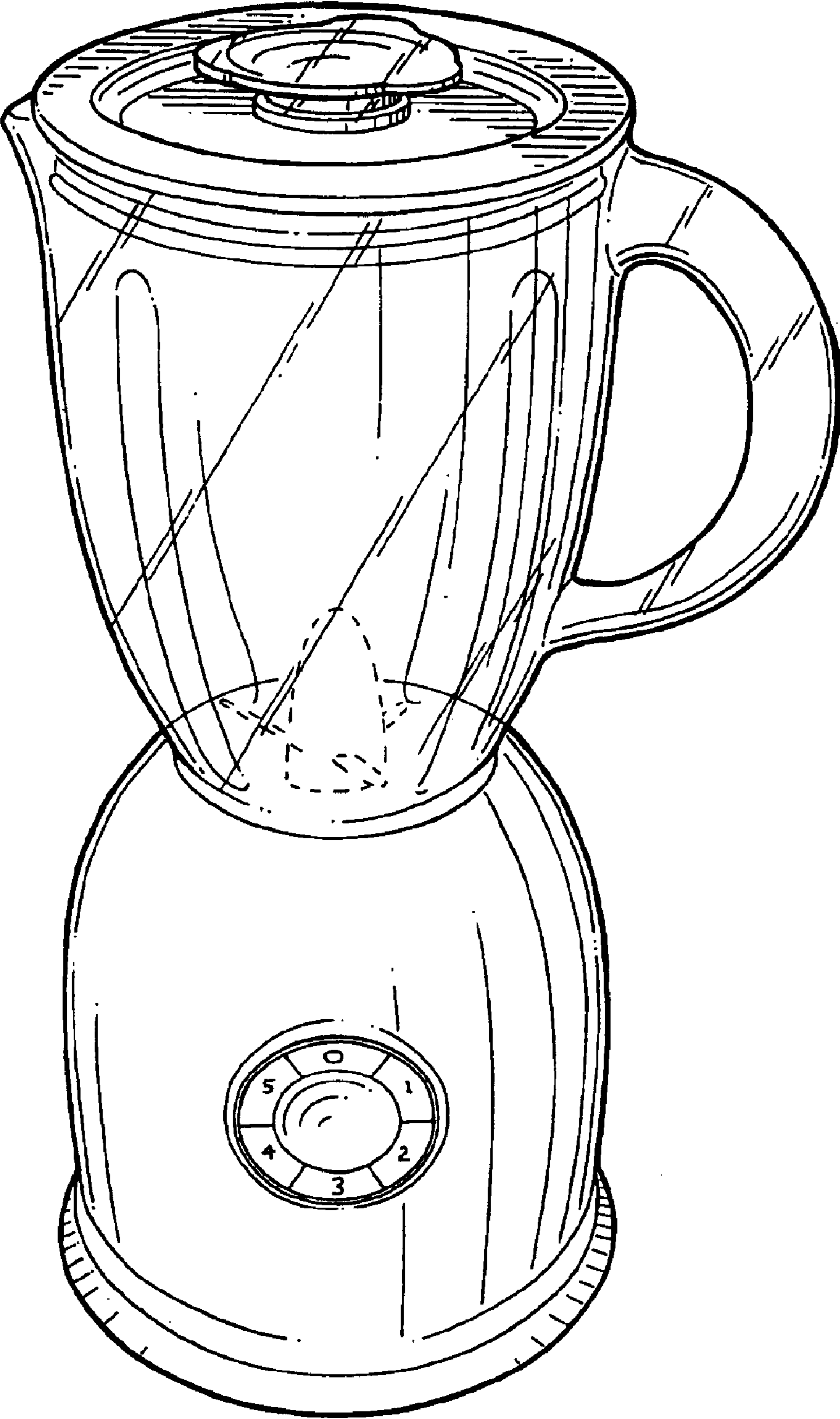


FIG. 2

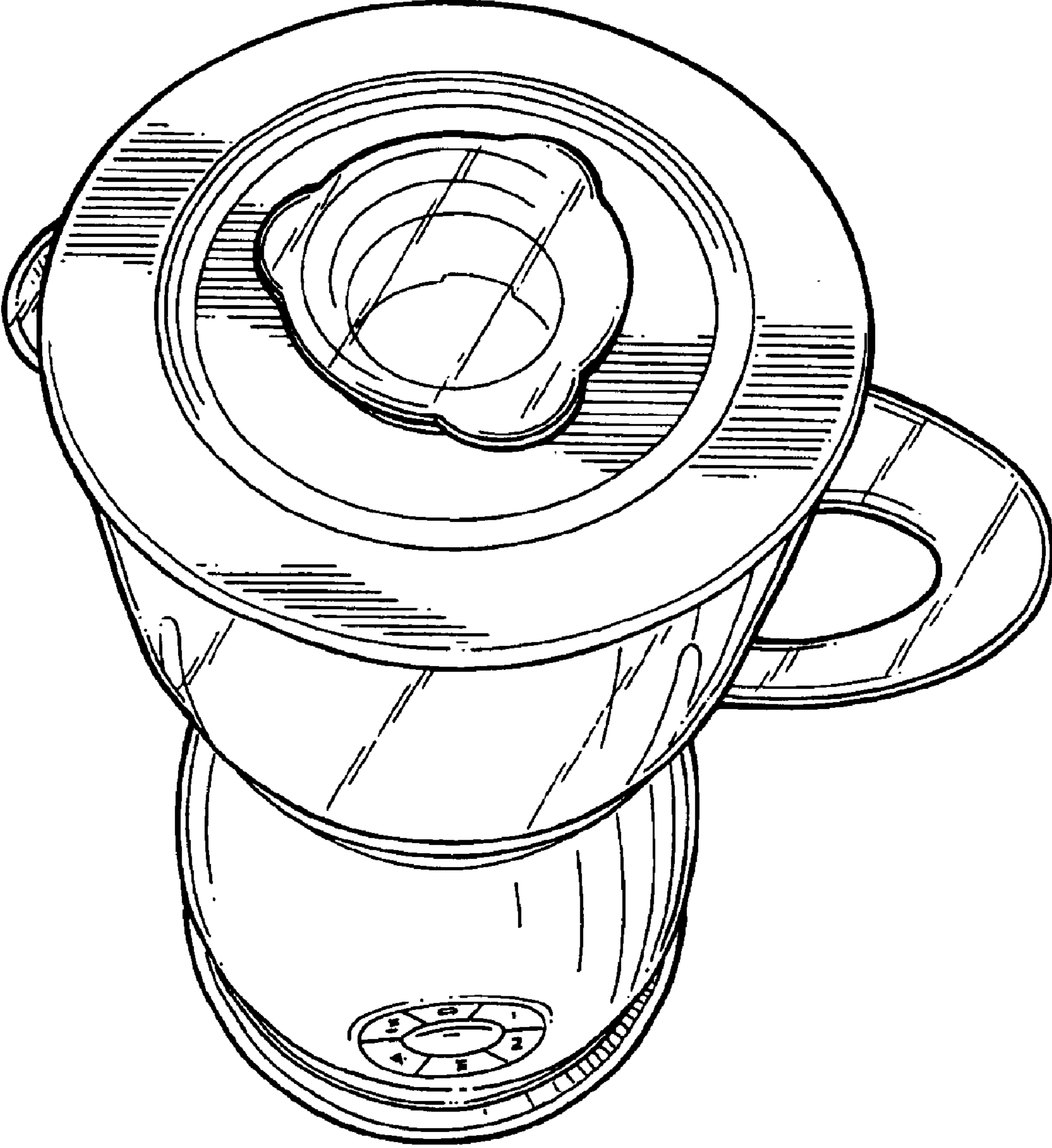


FIG. 3

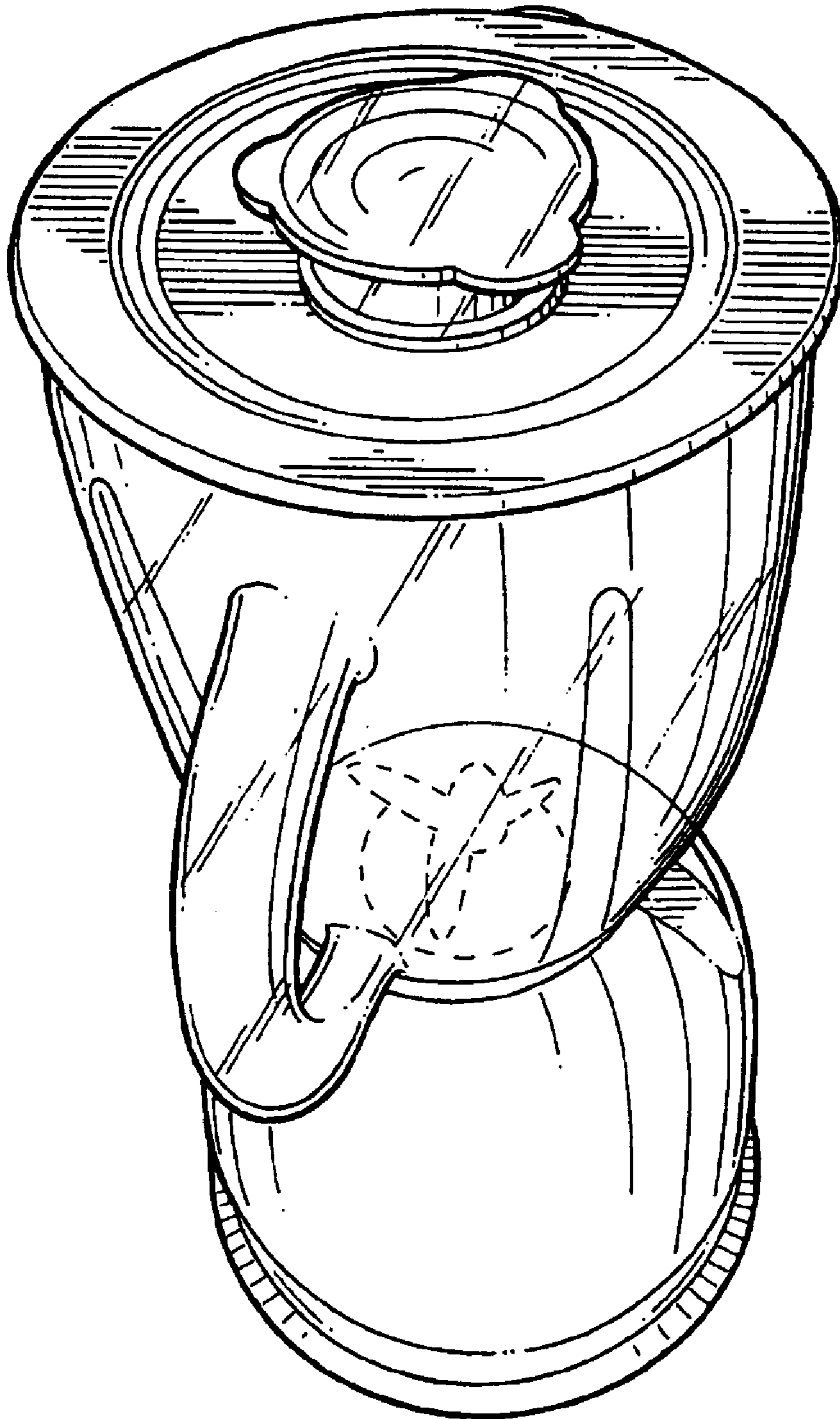


FIG. 4

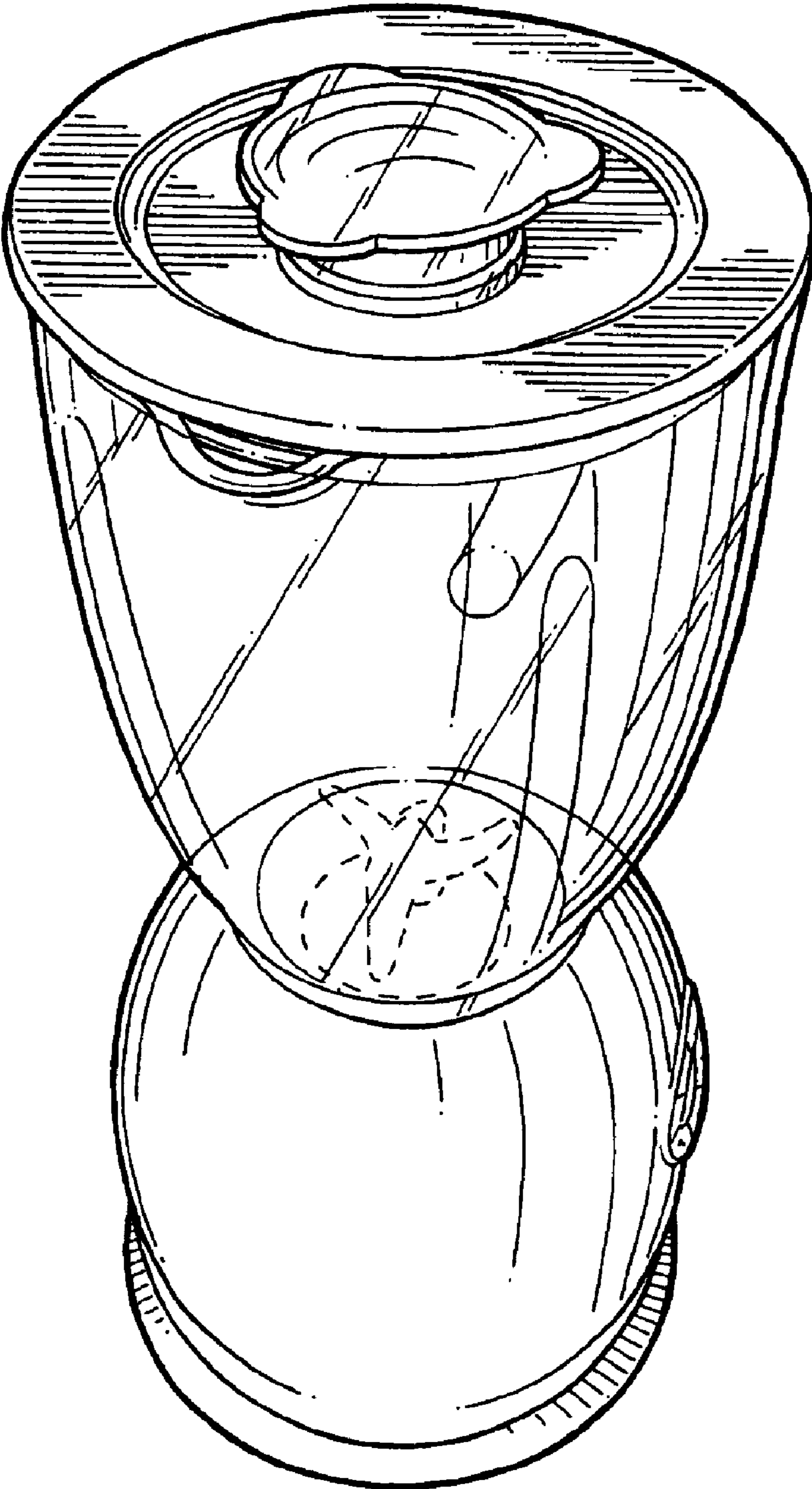


FIG. 5

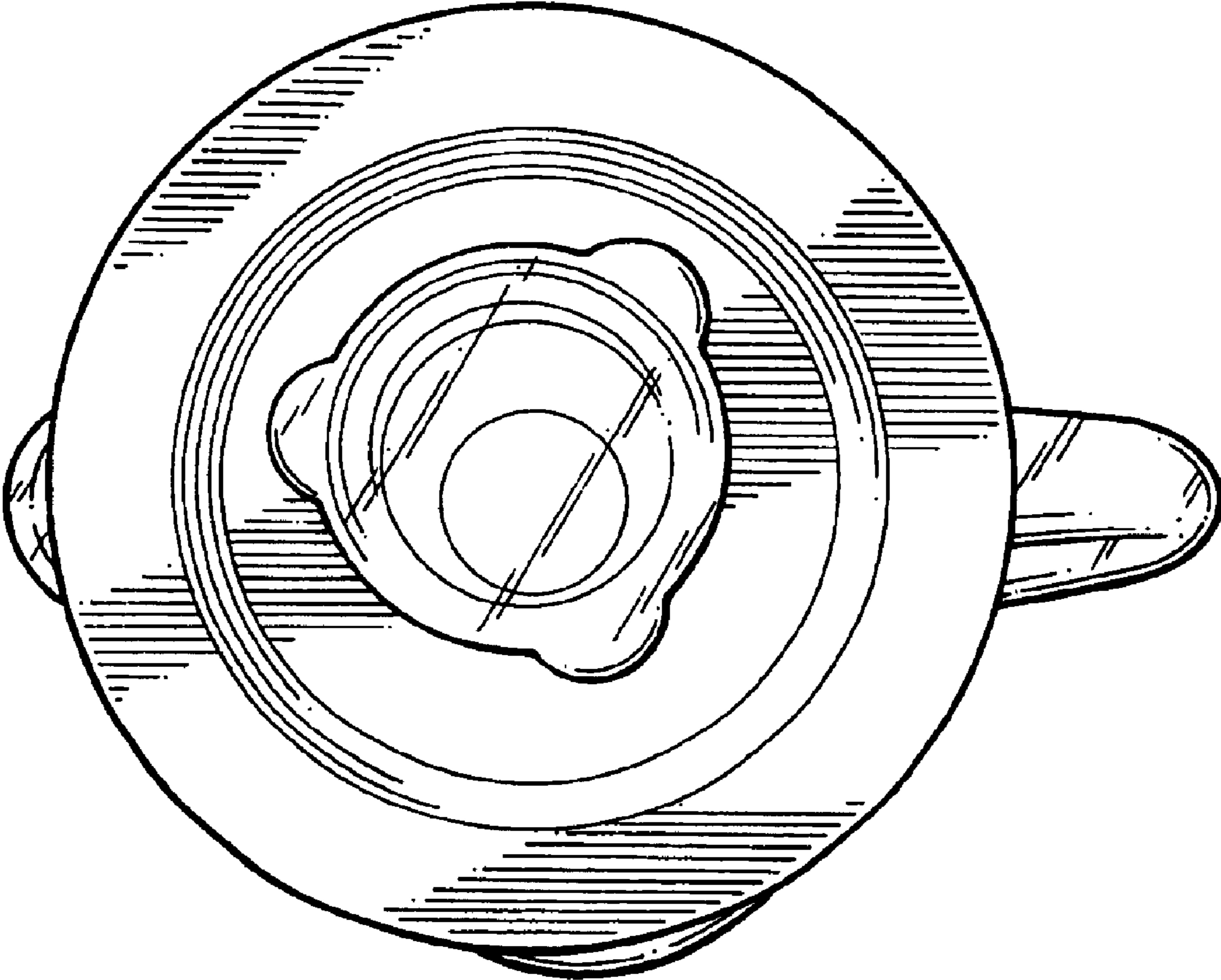


FIG. 6

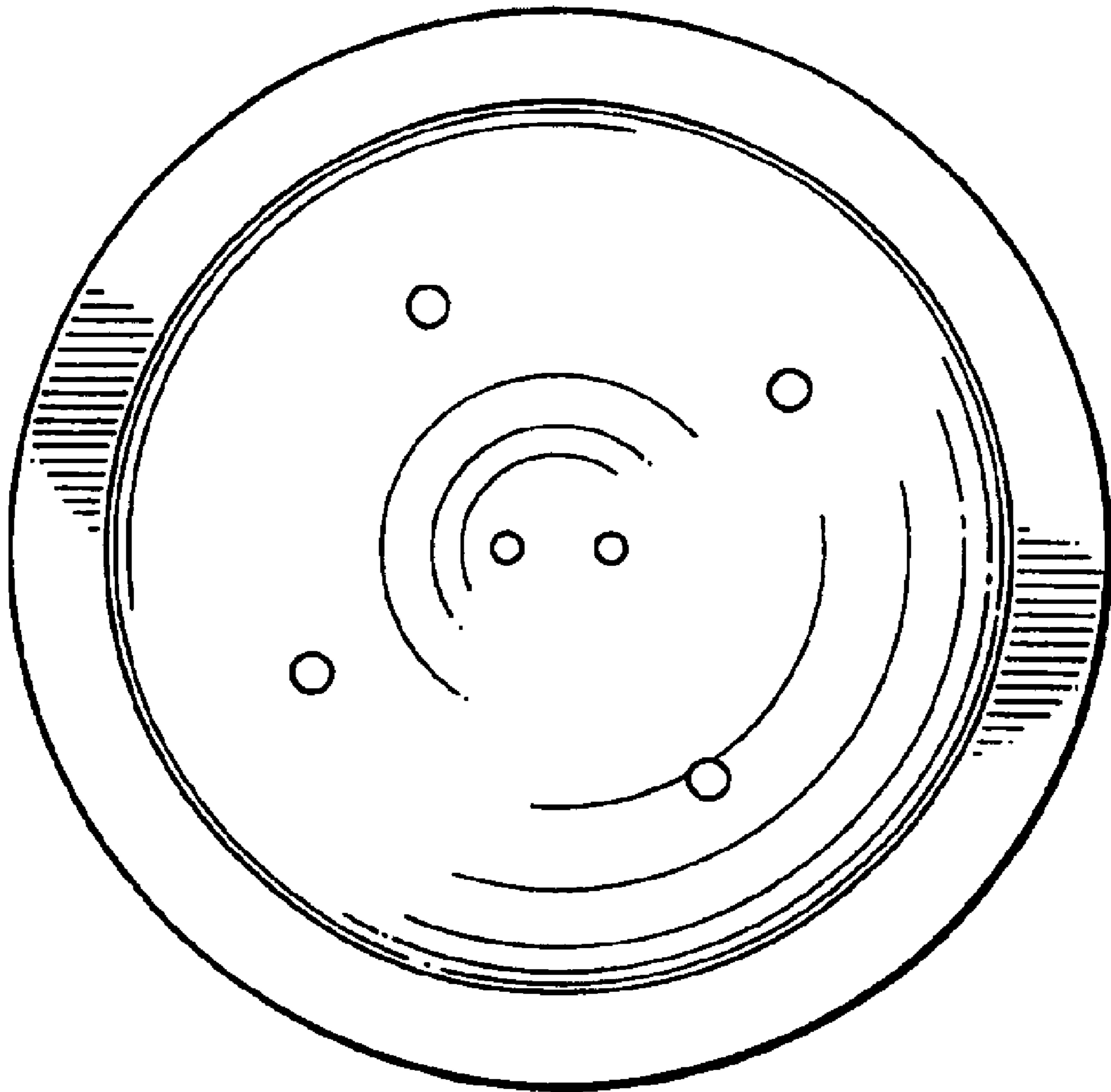


FIG. 7