

US00D502357S

(12) **United States Design Patent**
Pai

(10) **Patent No.:** **US D502,357 S**

(45) **Date of Patent:** **** Mar. 1, 2005**

(54) **BARBECUE GRILL**

(76) **Inventor:** **Lucas Pai**, 19F.-1, No. 159, Sec. 1,
Chung-Kang Rd., West Dist., Taichung
City (TW)

(**) **Term:** **14 Years**

(21) **Appl. No.:** **29/198,732**

(22) **Filed:** **Feb. 5, 2004**

(51) **LOC (7) Cl.** **07-02**

(52) **U.S. Cl.** **D7/334**

(58) **Field of Search** D7/332-337, 402-405;
126/25 R, 25 A, 25 AA, 41 R, 304 R, 37 R,
50; 99/419; 312/249.8, 249.13, 351.2

(56) **References Cited**

U.S. PATENT DOCUMENTS

- D460,312 S * 7/2002 Fry et al. D7/334
- D460,313 S * 7/2002 Crookshanks et al. D7/334
- 6,439,222 B1 * 8/2002 Dixon et al. 126/41 R

- D486,033 S * 2/2004 Tseng D7/334
- D488,026 S * 4/2004 Tseng D7/403
- 2002/0078944 A1 * 6/2002 Cozzolino et al. 126/41 R

* cited by examiner

Primary Examiner—Ruth McInroy

(74) *Attorney, Agent, or Firm*—Harrison & Egbert

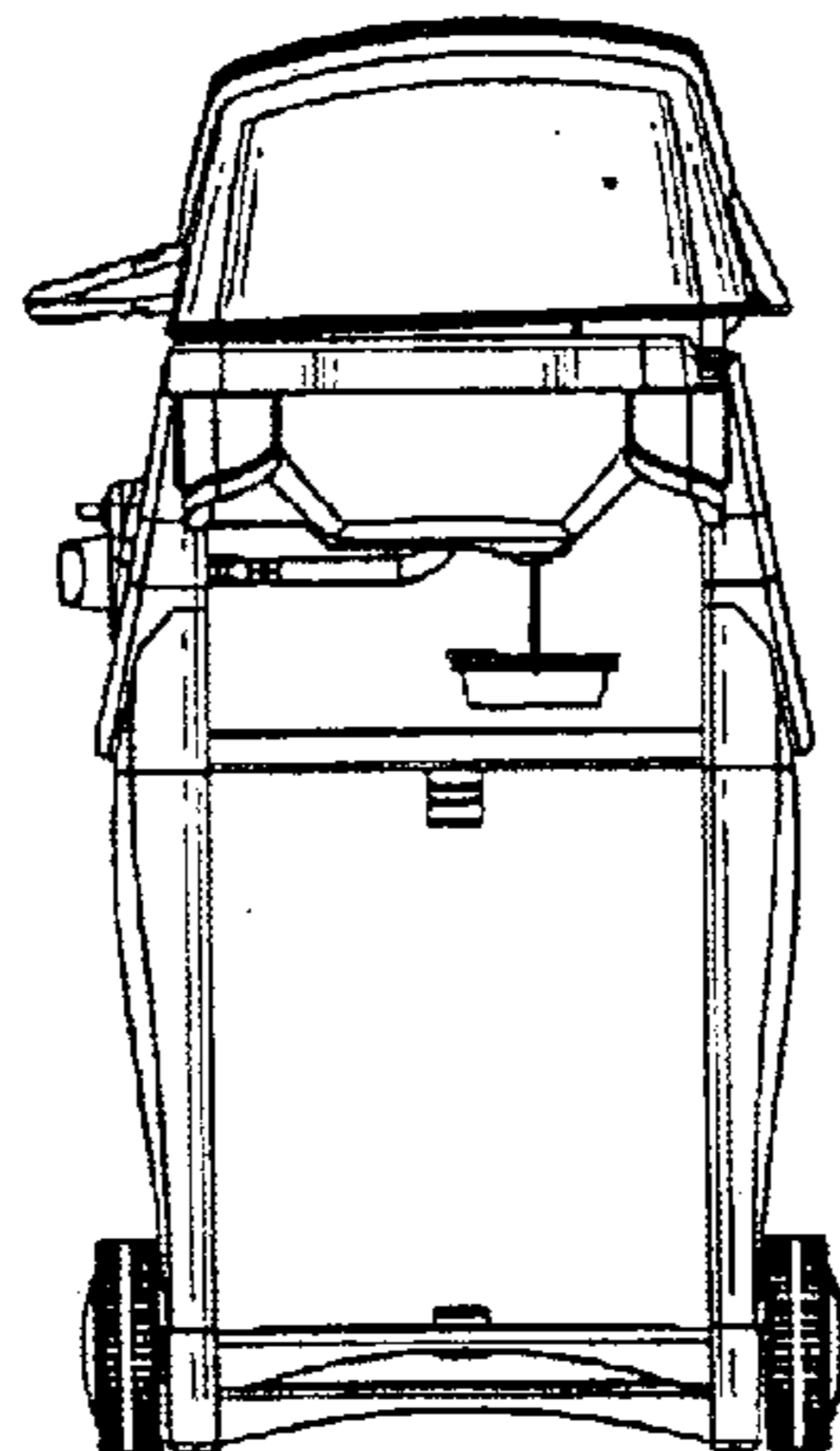
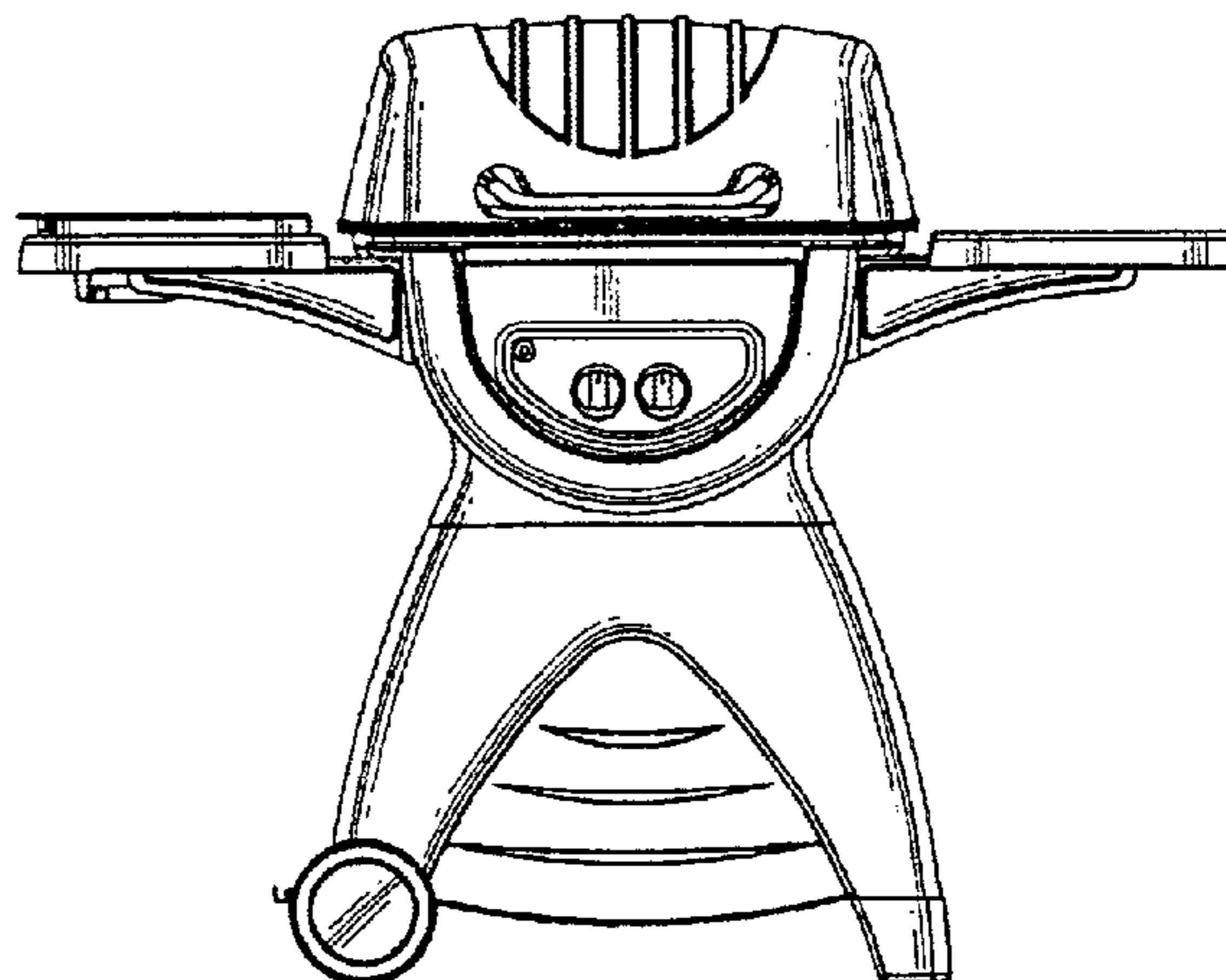
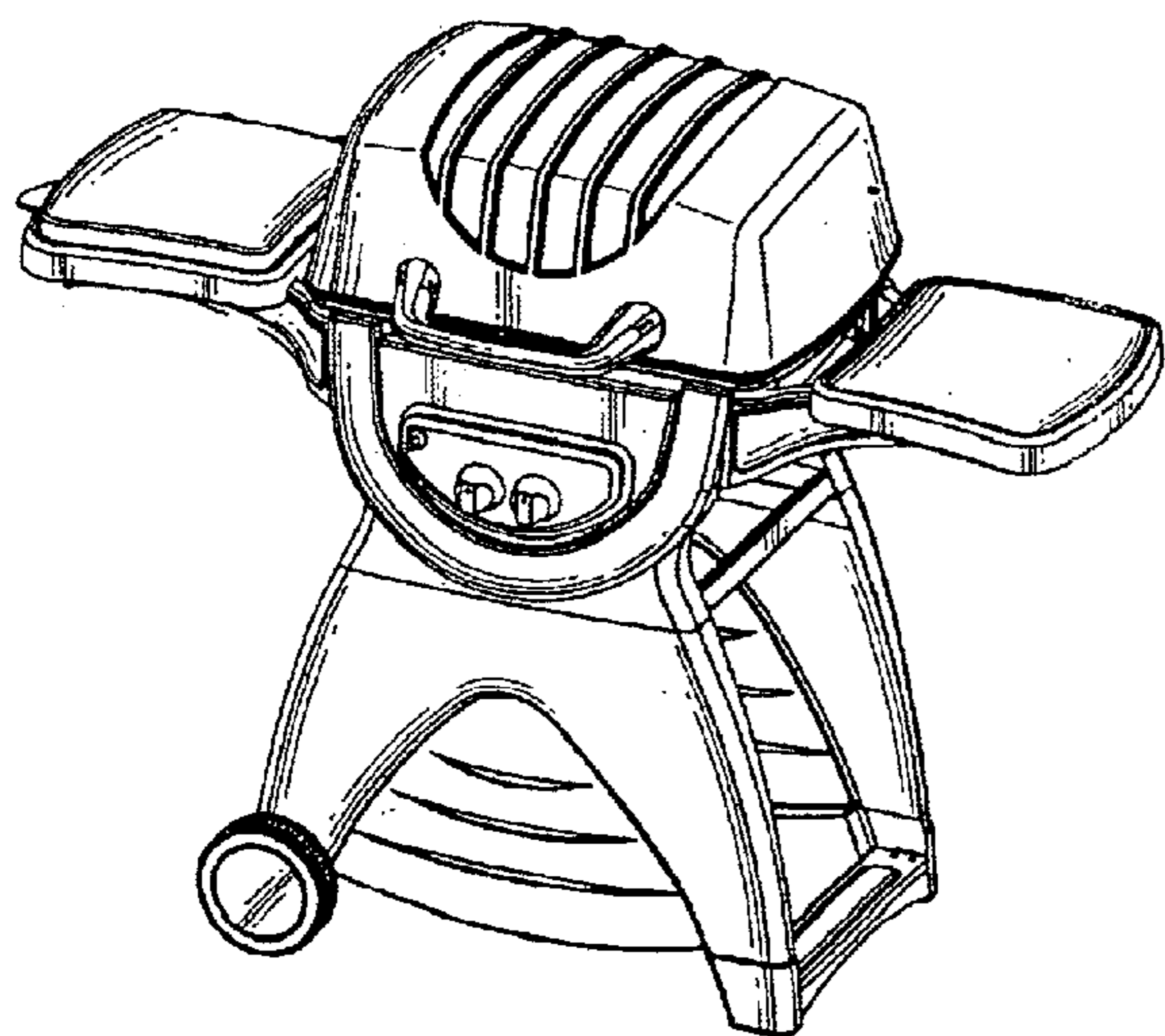
(57) **CLAIM**

I claim the ornamental design for a barbecue grill, as shown and described.

DESCRIPTION

FIG. 1 is a front perspective view of a barbecue grill showing my new design;
 FIG. 2 is a front view thereof;
 FIG. 3 is a back view thereof;
 FIG. 4 is a side view thereof;
 FIG. 5 is an opposite side view thereof;
 FIG. 6 is a top view thereof; and,
 FIG. 7 is a bottom view thereof.

1 Claim, 4 Drawing Sheets



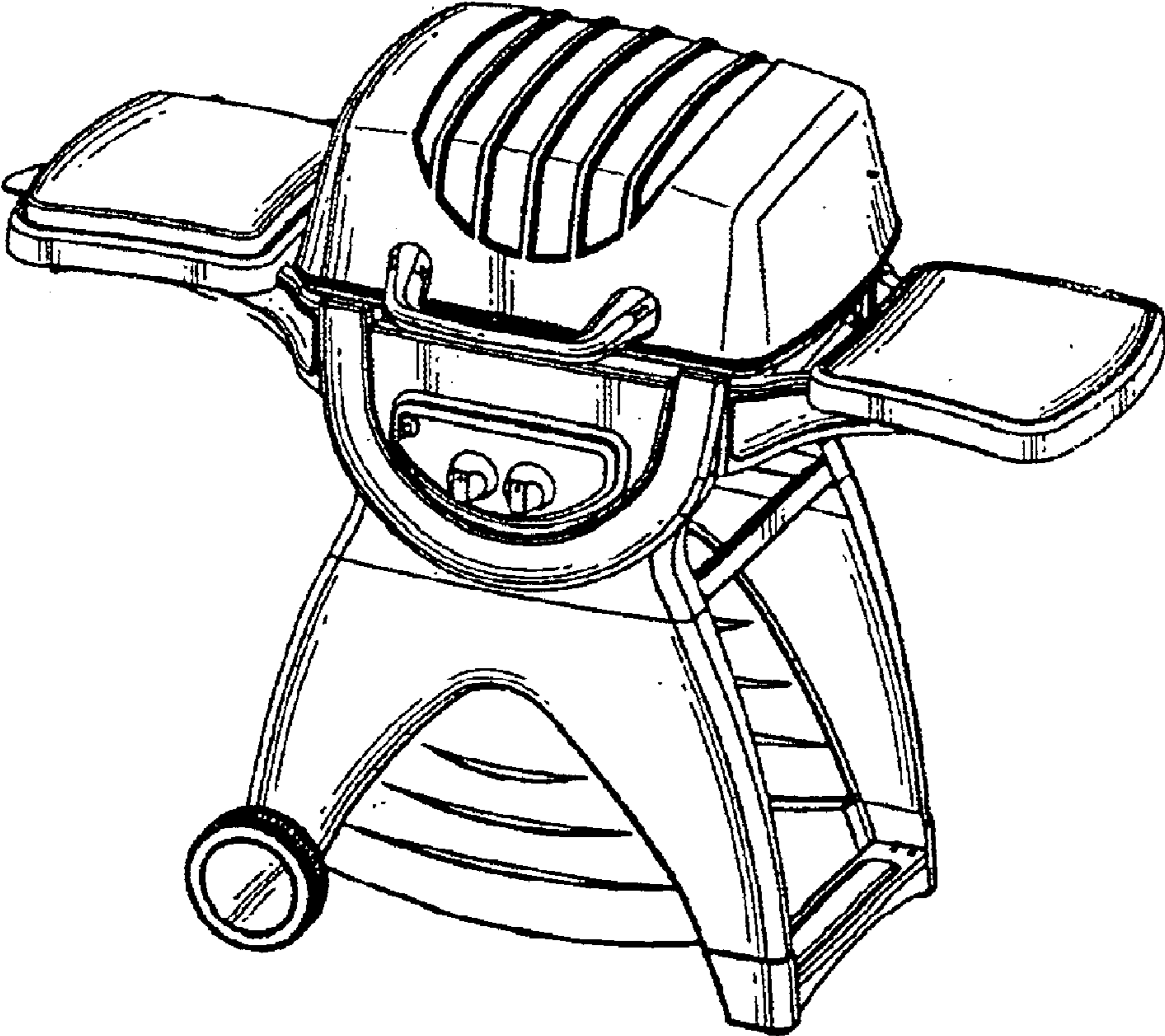


FIG. 1

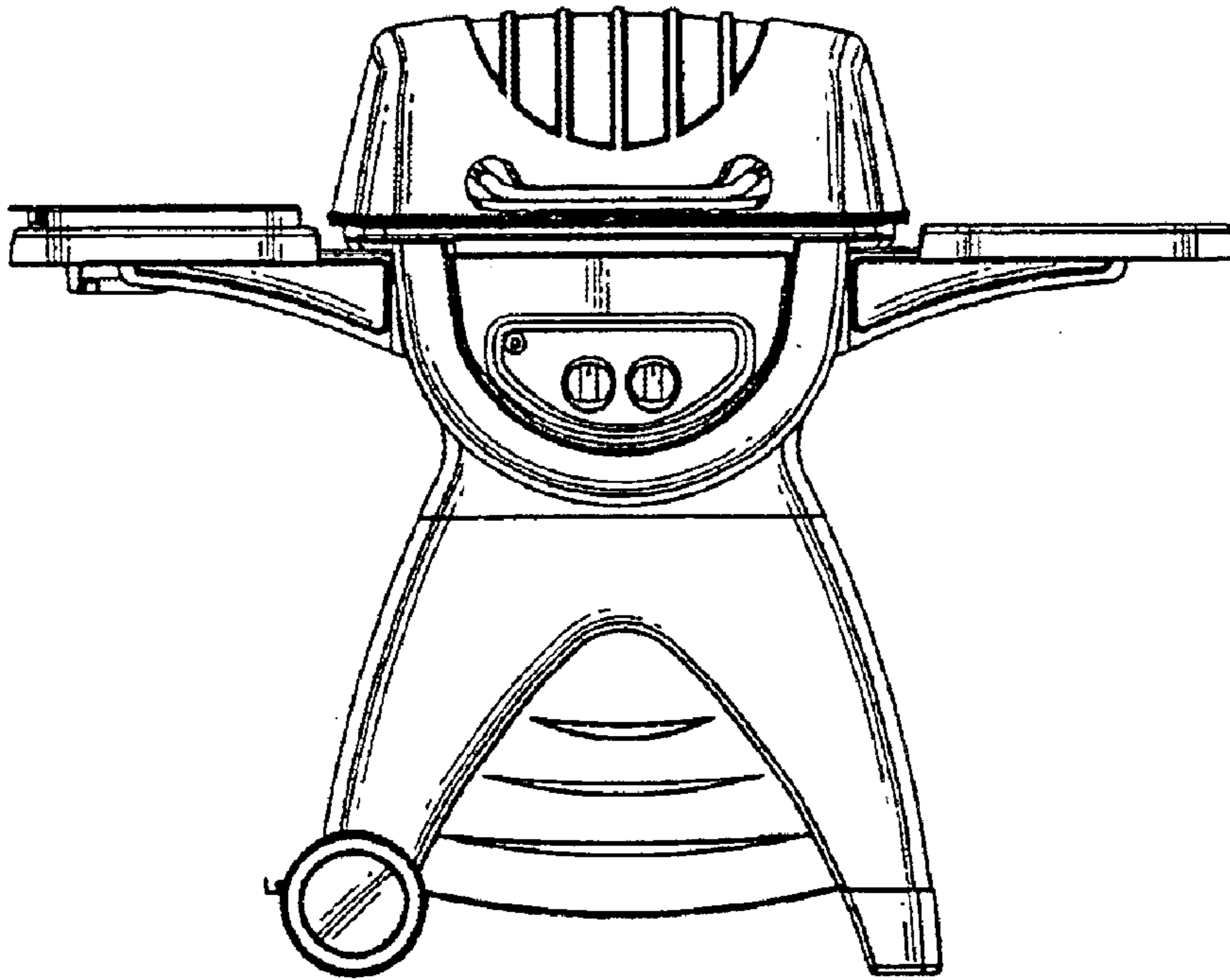


FIG. 2

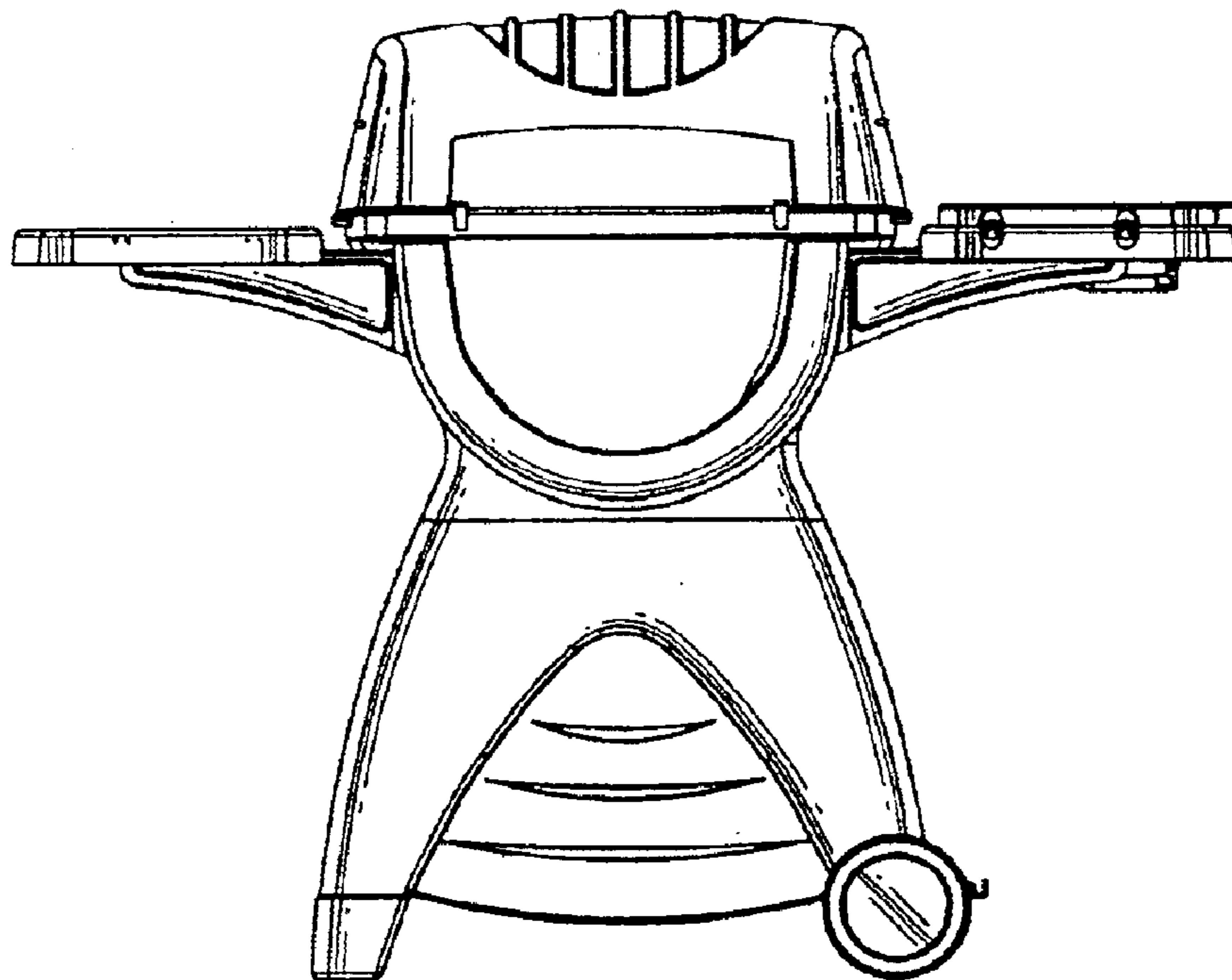


FIG. 3

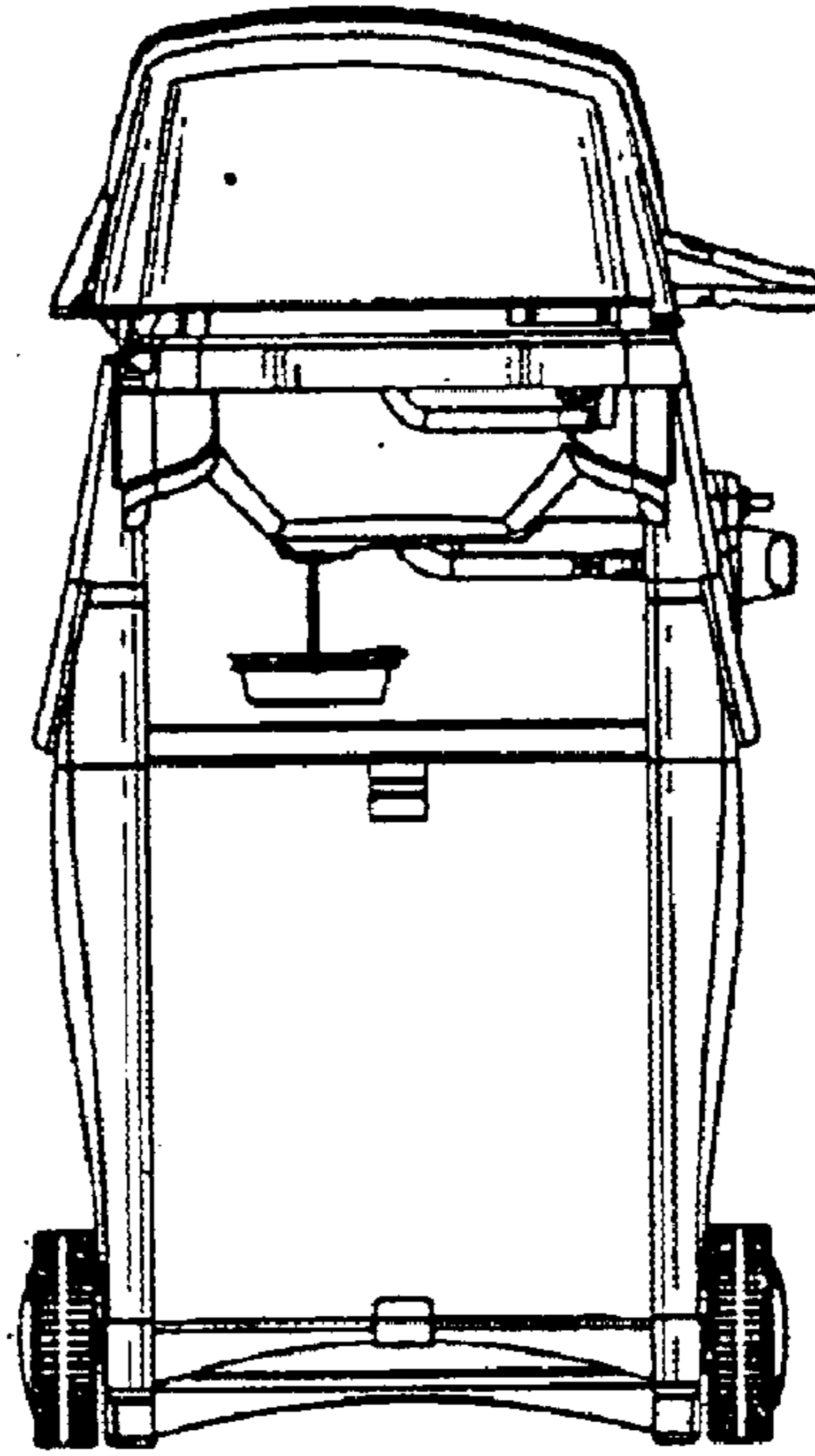


FIG. 4

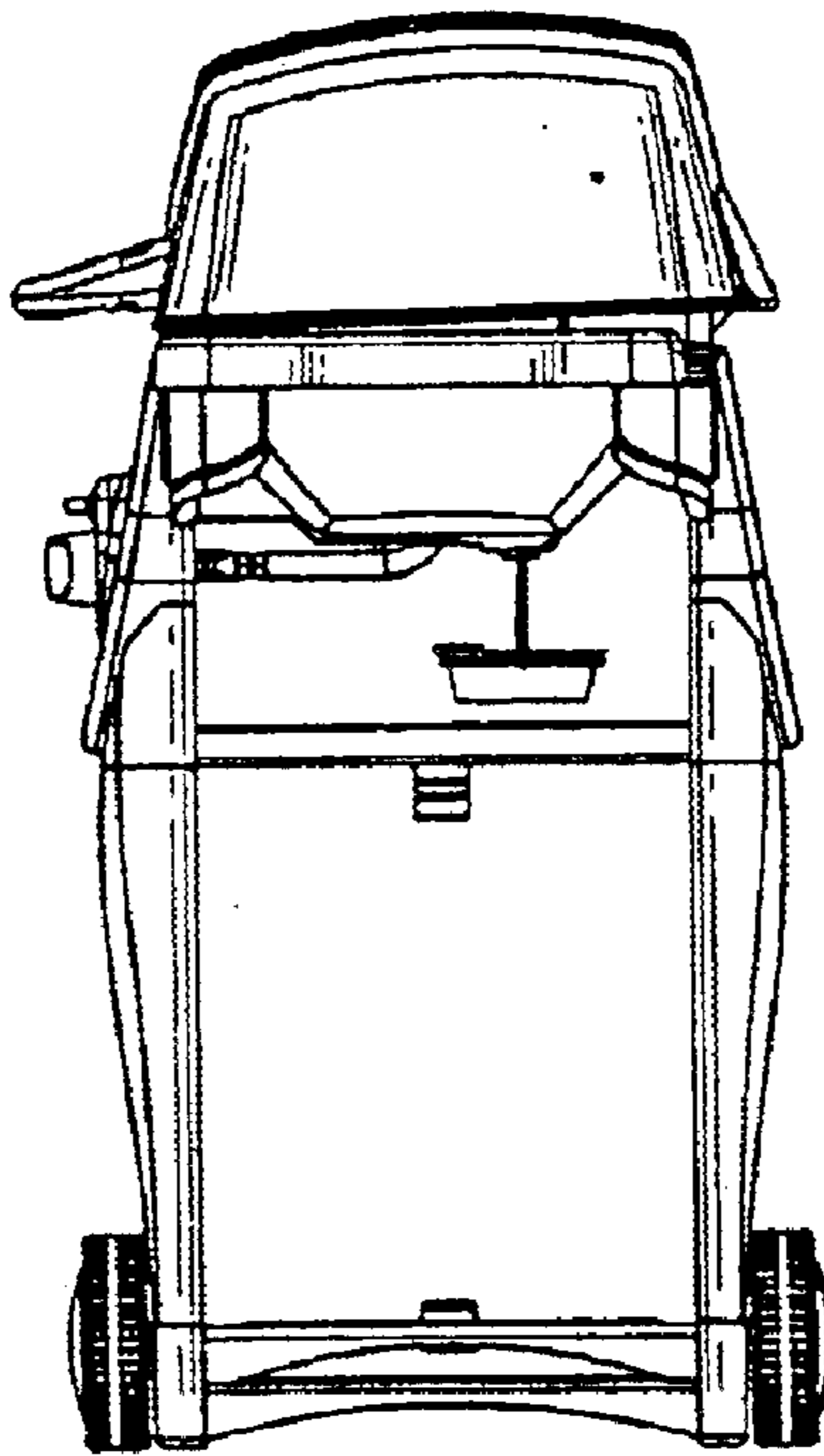


FIG. 5

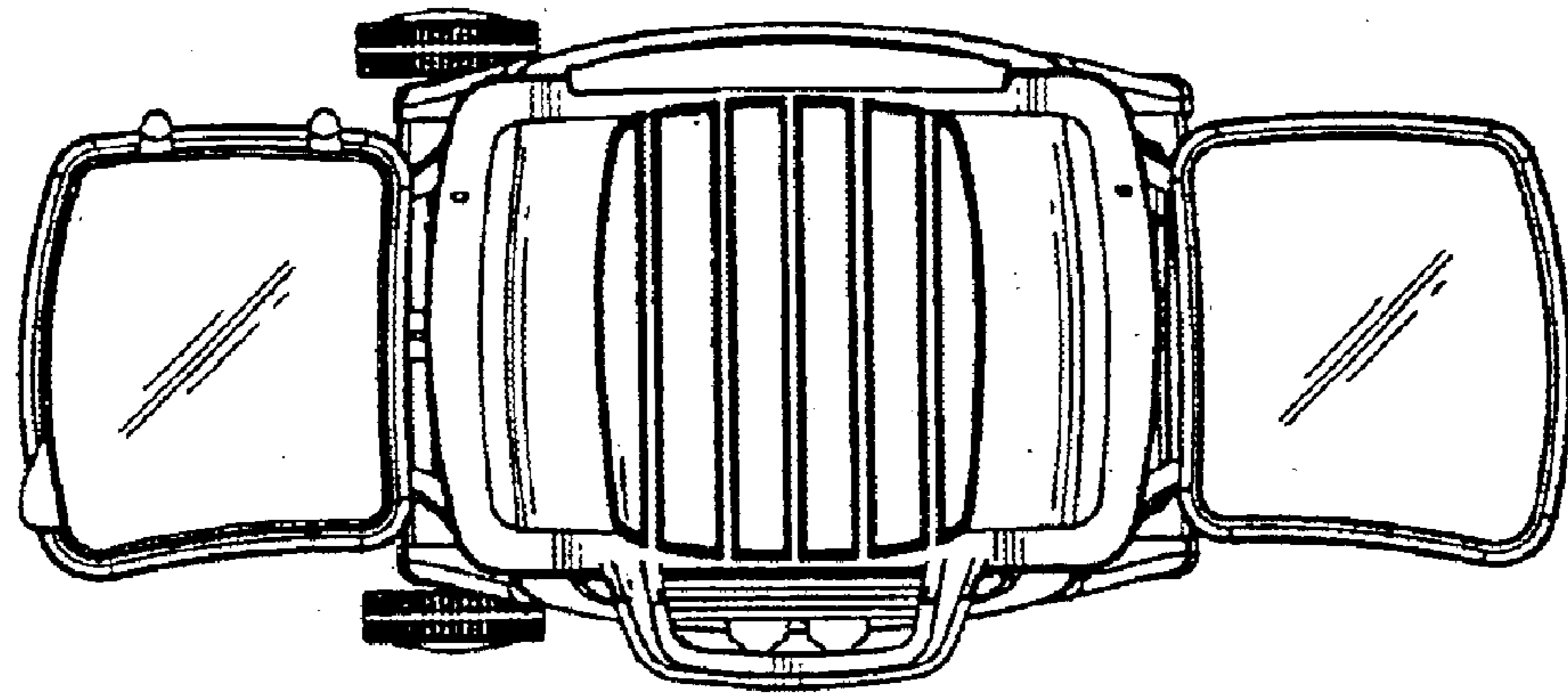


FIG. 6

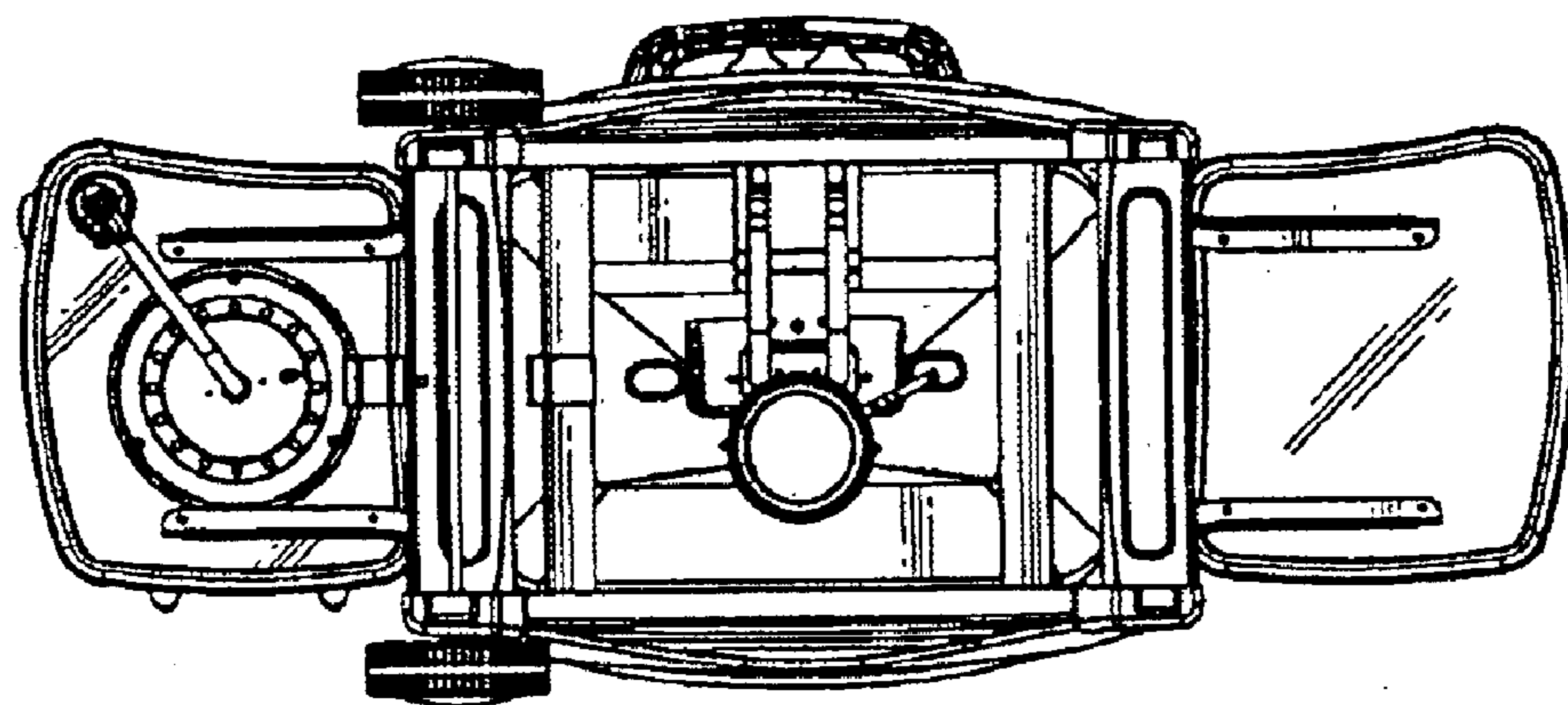


FIG. 7