



US00D502356S

(12) **United States Design Patent**
Smaldone

(10) **Patent No.: US D502,356 S**
(45) **Date of Patent: ** Mar. 1, 2005**

- (54) **ERGONOMIC TEA KETTLE**
- (76) Inventor: **Al Smaldone**, 4099 Ocean Ave.,
Brooklyn, NY (US) 11235
- (**) Term: **14 Years**
- (21) Appl. No.: **29/205,805**
- (22) Filed: **May 19, 2004**
- (51) **LOC (7) Cl. 07-01**
- (52) **U.S. Cl. D7/322; D7/321**
- (58) **Field of Search D7/300, 312, 322,**
D7/321; 222/472, 482, 481, 473, 469; 220/318;
219/437

- D416,431 S * 11/1999 Weiss et al. D7/302
- D428,758 S * 8/2000 Santiago et al. D7/322
- D442,015 S * 5/2001 Doret, Jr. D7/322
- D448,963 S * 10/2001 Shim D7/322
- D459,937 S * 7/2002 Thurlow et al. D7/322
- D478,243 S * 8/2003 Lebowitz D7/322
- D483,600 S * 12/2003 Thurlow et al. D7/322
- D490,641 S * 6/2004 Lebowitz D7/321

* cited by examiner

Primary Examiner—M. N. Pandozzi
(74) *Attorney, Agent, or Firm*—Steven Horowitz

(57) **CLAIM**

The ornamental design for an ergonomic tea kettle, as shown and described.

(56) **References Cited**

U.S. PATENT DOCUMENTS

- D95,621 S * 5/1935 Zettler D7/321
- D115,928 S * 8/1939 Kircher D7/322
- D282,436 S * 2/1986 Thurlow D7/322
- D342,640 S * 12/1993 Lebowitz D7/322
- 5,339,978 A * 8/1994 Coppier 220/318
- D364,991 S * 12/1995 Lee D7/322
- D381,859 S * 8/1997 Joergensen D7/322
- D390,744 S * 2/1998 Otero D7/321

DESCRIPTION

FIG. 1 is a side view of a tea kettle of the present invention showing my new design;
FIG. 2 is a front view thereof;
FIG. 3 is a top view thereof;
FIG. 4 is a rear view thereof; and,
FIG. 5 is a fragmentary sectional view taken along line 5—5 of FIG. 1, broken away for ease of illustration.

1 Claim, 4 Drawing Sheets

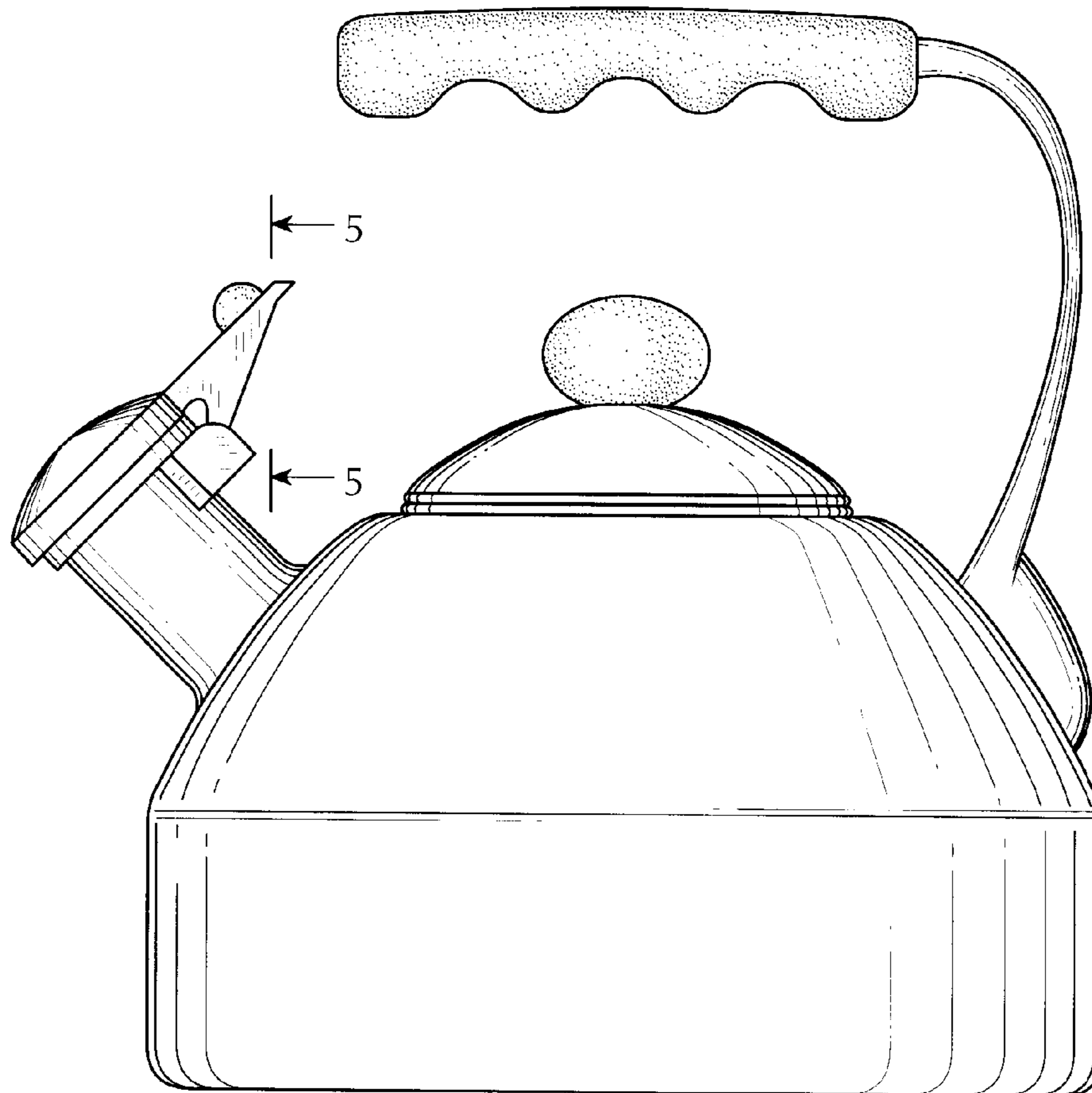


FIG. 1

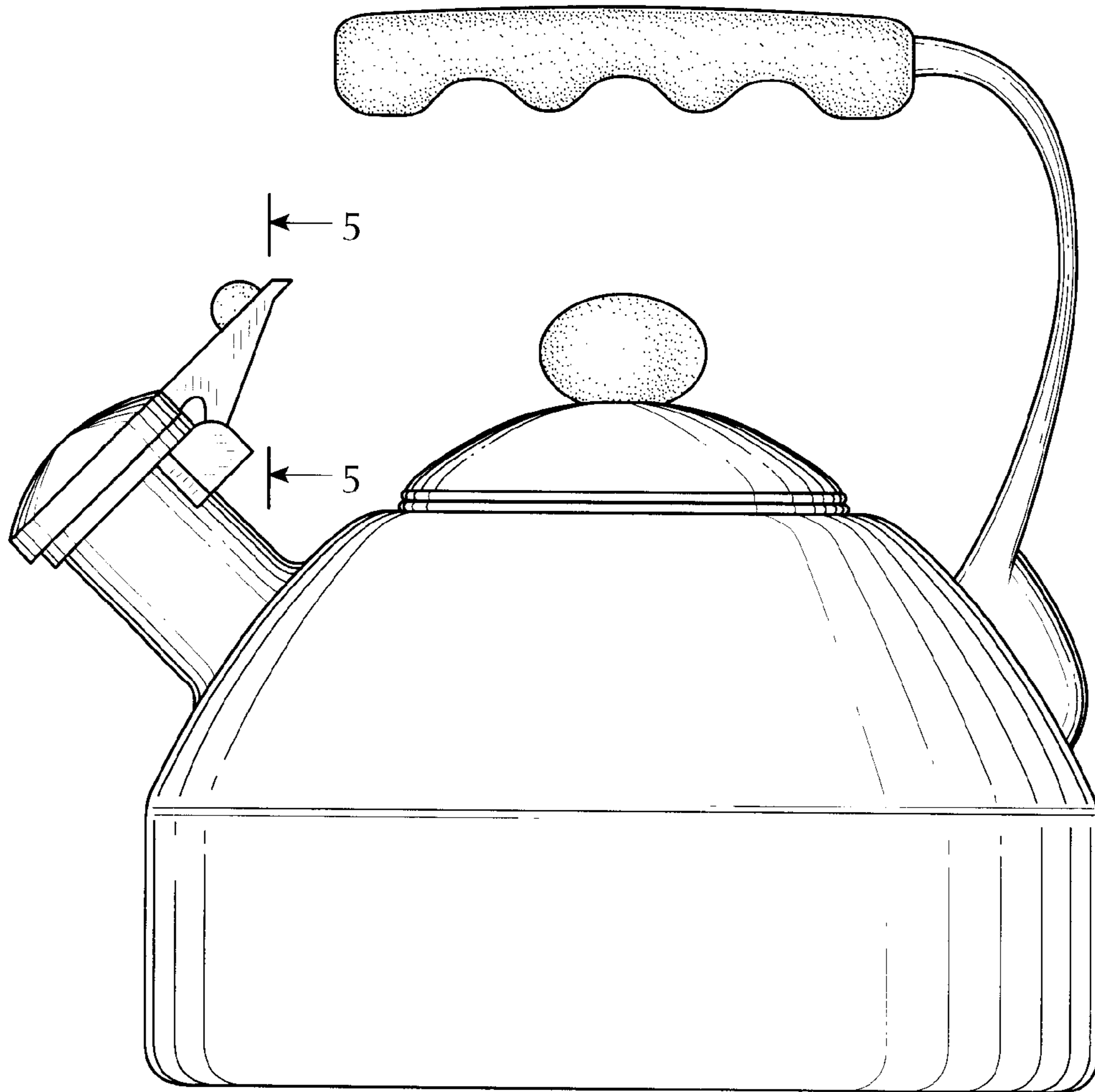


FIG. 5

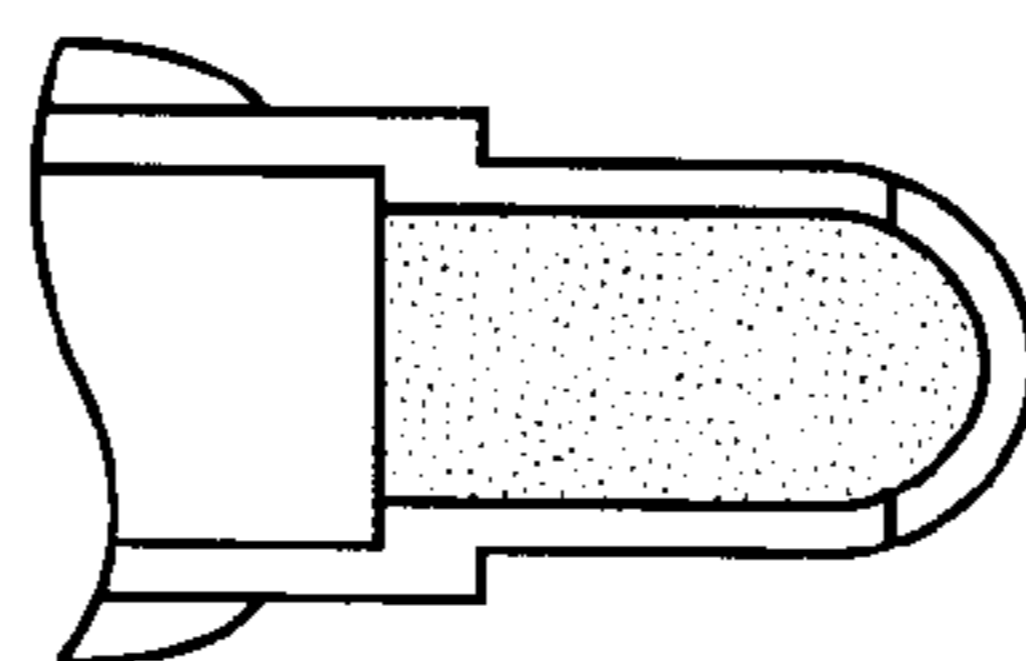


FIG. 2

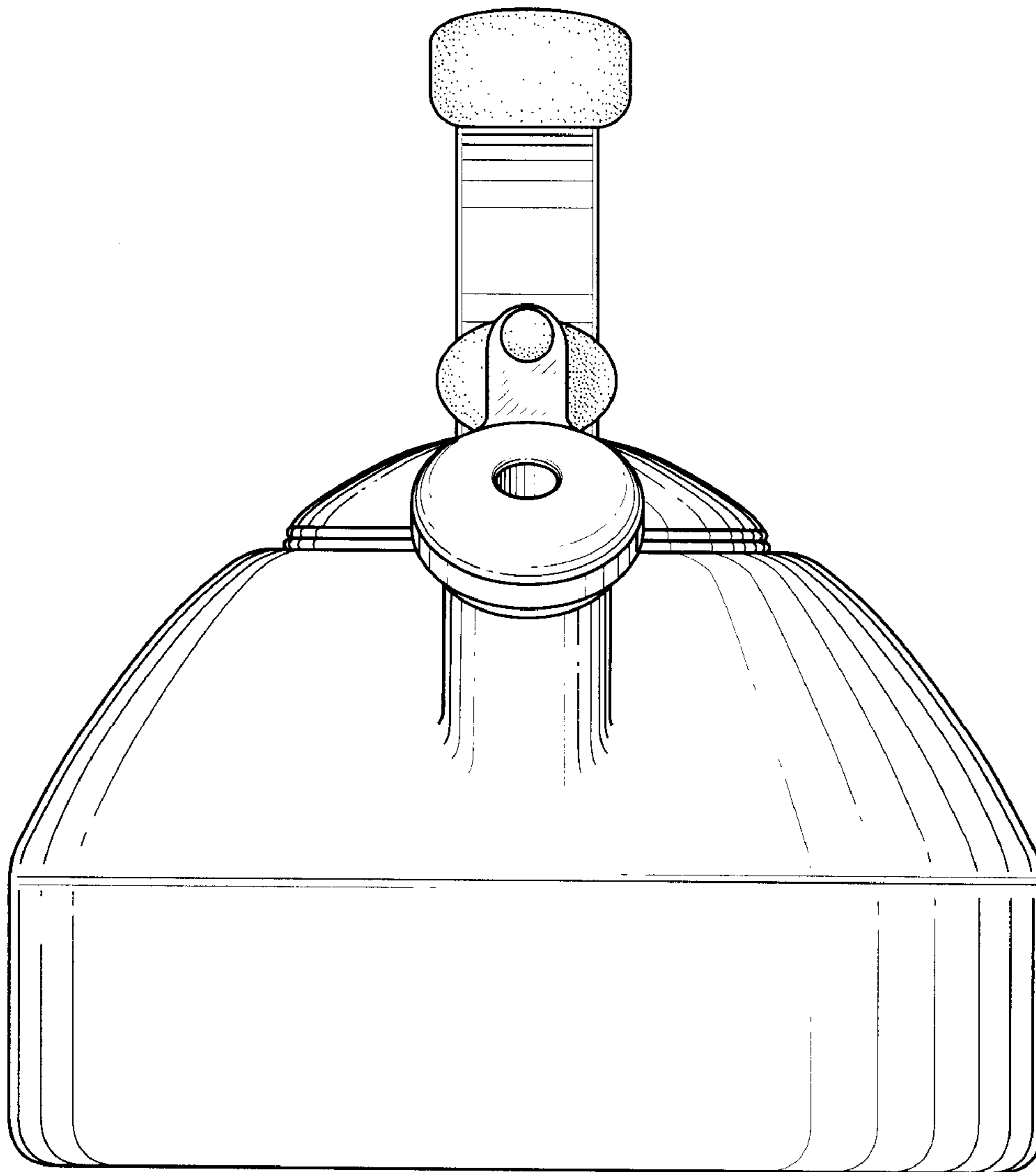


FIG. 3

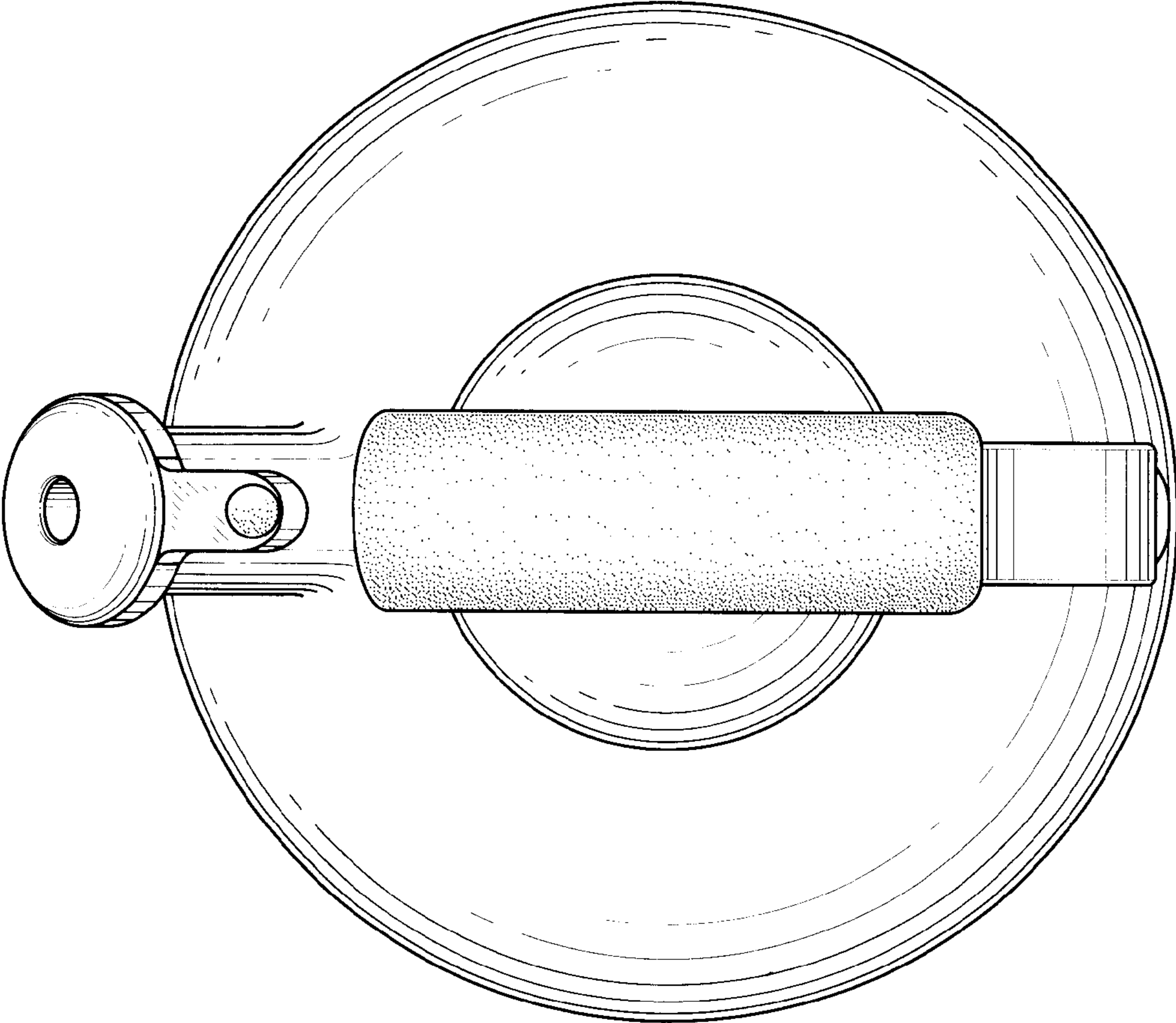


FIG. 4

