

US00D502354S

(12) **United States Design Patent**
Bruttin

(10) **Patent No.:** **US D502,354 S**

(45) **Date of Patent:** **** Mar. 1, 2005**

(54) **COFFEE MACHINE**

(76) Inventor: **Hubert Bruttin**, Anchette CH-3973,
Venthône (CH)

(**) Term: **14 Years**

(21) Appl. No.: **29/187,125**

(22) Filed: **Jul. 29, 2003**

(30) **Foreign Application Priority Data**

May 14, 2003 (CH) 129652

(51) **LOC (7) Cl.** **07-01**

(52) **U.S. Cl.** **D7/309; D7/311**

(58) **Field of Search** D7/307, 305, 309,
D7/310, 311; 222/129.1; 99/305, 285, 295,
289 R

(56) **References Cited**

U.S. PATENT DOCUMENTS

D205,394 S	*	8/1966	Richeson	D7/308
D246,410 S	*	11/1977	Harms et al.	D7/309
4,683,812 A	*	8/1987	Tarlow et al.	99/289 R
D344,206 S	*	2/1994	Azpiri	D7/309
D353,296 S	*	12/1994	Assmann	D7/309
D382,438 S	*	8/1997	Figur et al.	D7/309
D390,742 S	*	2/1998	Sander	D7/309
D411,705 S	*	6/1999	Littmann	D7/309

D413,757 S	*	9/1999	Munoz	D7/309
D423,863 S	*	5/2000	Lupi	D7/309
D429,594 S	*	8/2000	Lin	D7/309
D447,904 S	*	9/2001	Kling	D7/309
D449,197 S	*	10/2001	Byler	D7/309
D459,628 S	*	7/2002	Cahen	D7/309
D461,358 S	*	8/2002	Cahen	D7/309
D477,963 S	*	8/2003	Cahen	D7/309
D486,346 S	*	2/2004	Jonsson	D7/309
D489,213 S	*	5/2004	Cunha et al.	D7/307

* cited by examiner

Primary Examiner—M. N. Pandozzi

(74) *Attorney, Agent, or Firm*—Wenderoth, Lind & Ponack,
L.L.P.

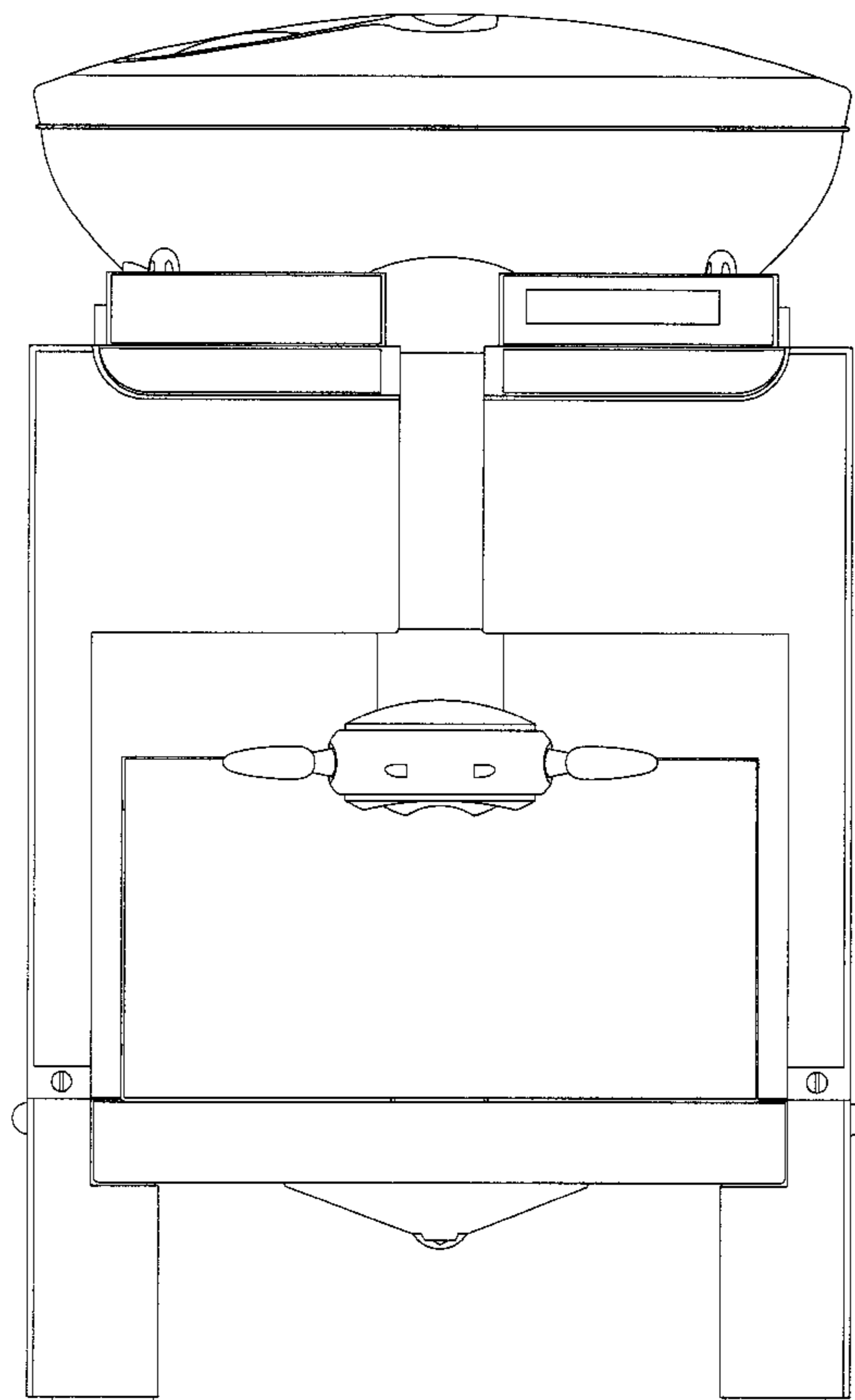
(57) **CLAIM**

The ornamental design for a coffee machine, as shown and described.

DESCRIPTION

FIG. 1 is a front view of the coffee machine;
FIG. 2 is a left side view of the coffee machine;
FIG. 3 is a right side view of the coffee machine;
FIG. 4 is a back view of the coffee machine;
FIG. 5 is a top view of the coffee machine; and,
FIG. 6 is a bottom view of the coffee machine.

1 Claim, 6 Drawing Sheets



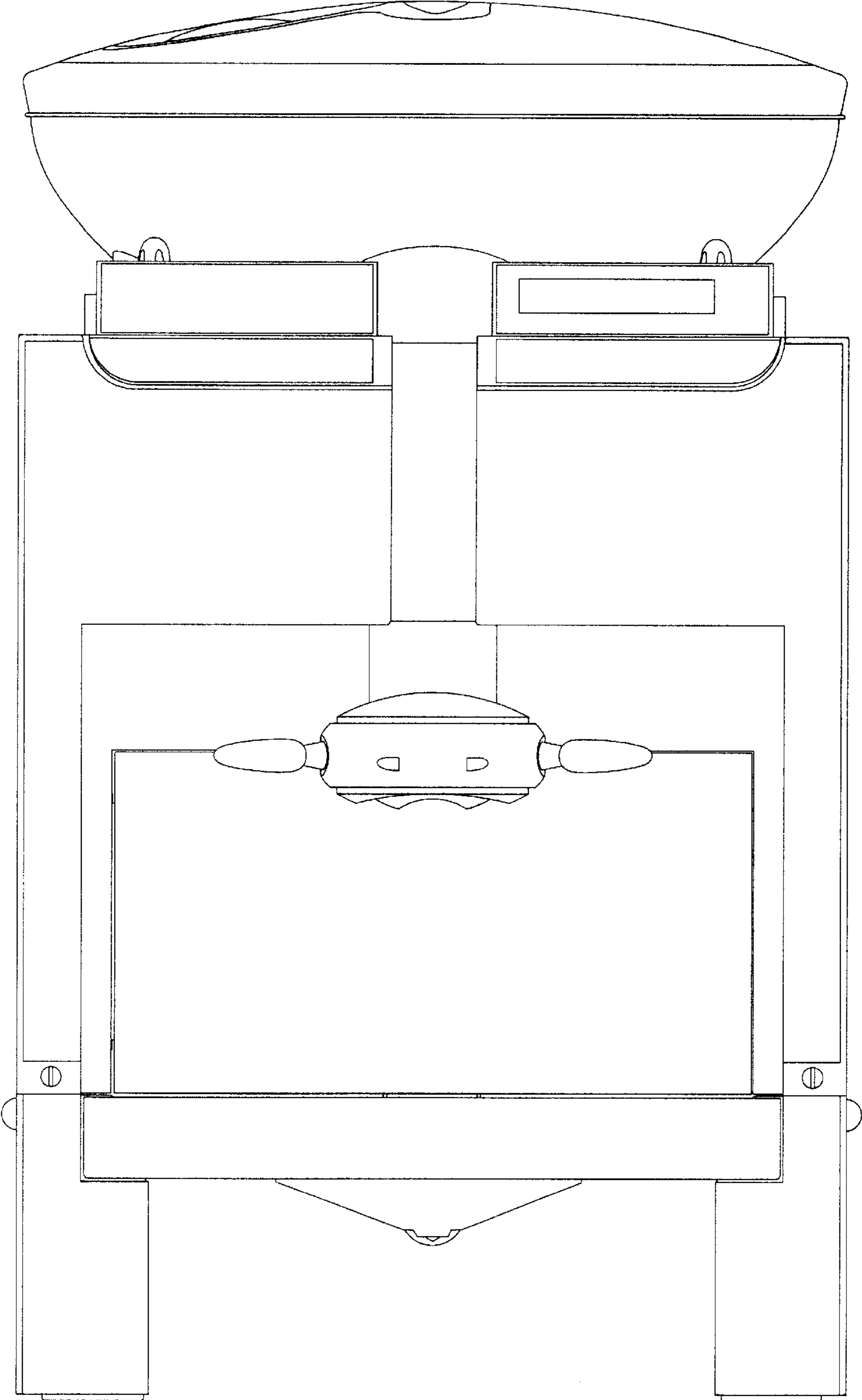


FIG 1.

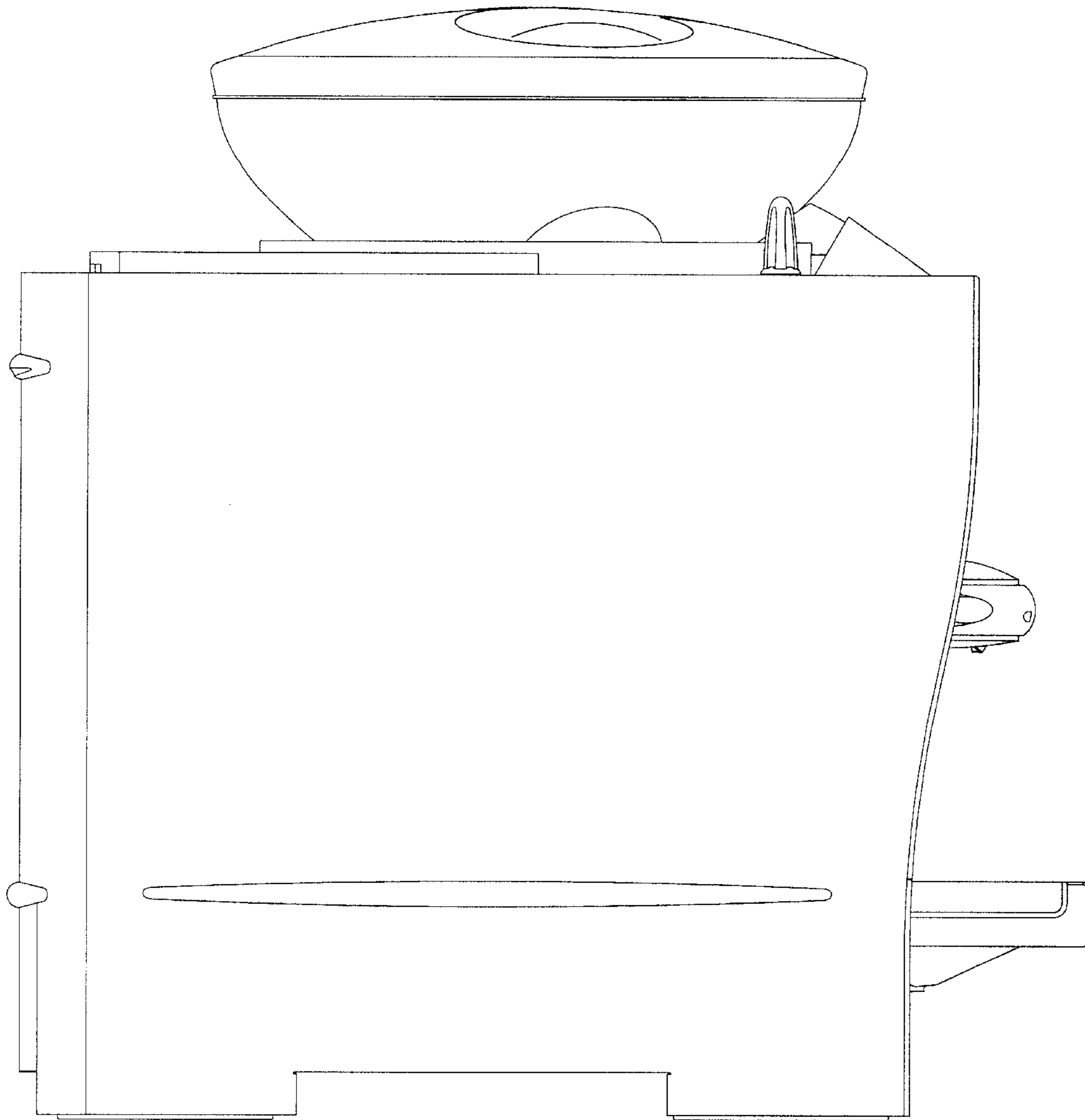


FIG 2.

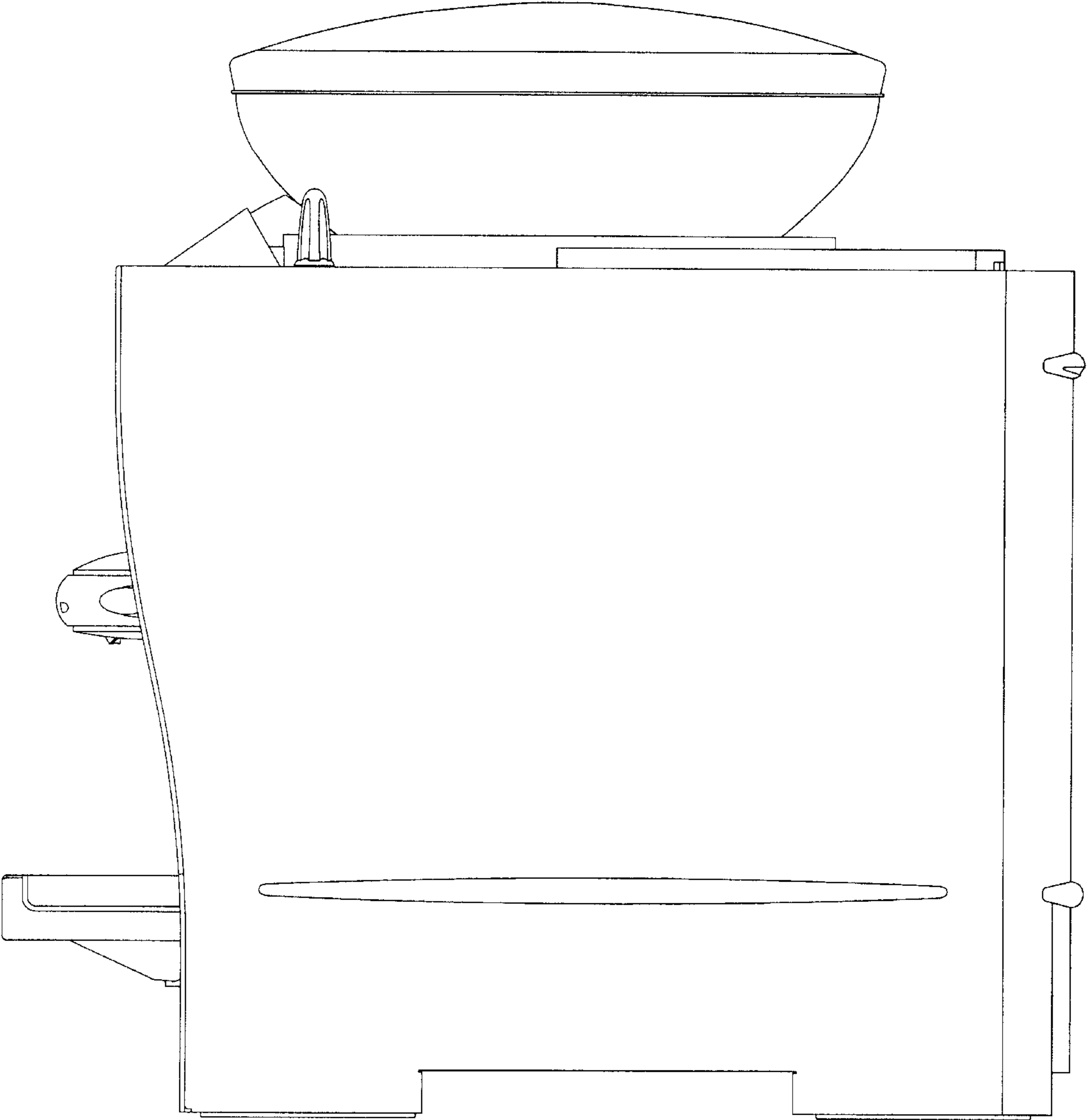


FIG 3.

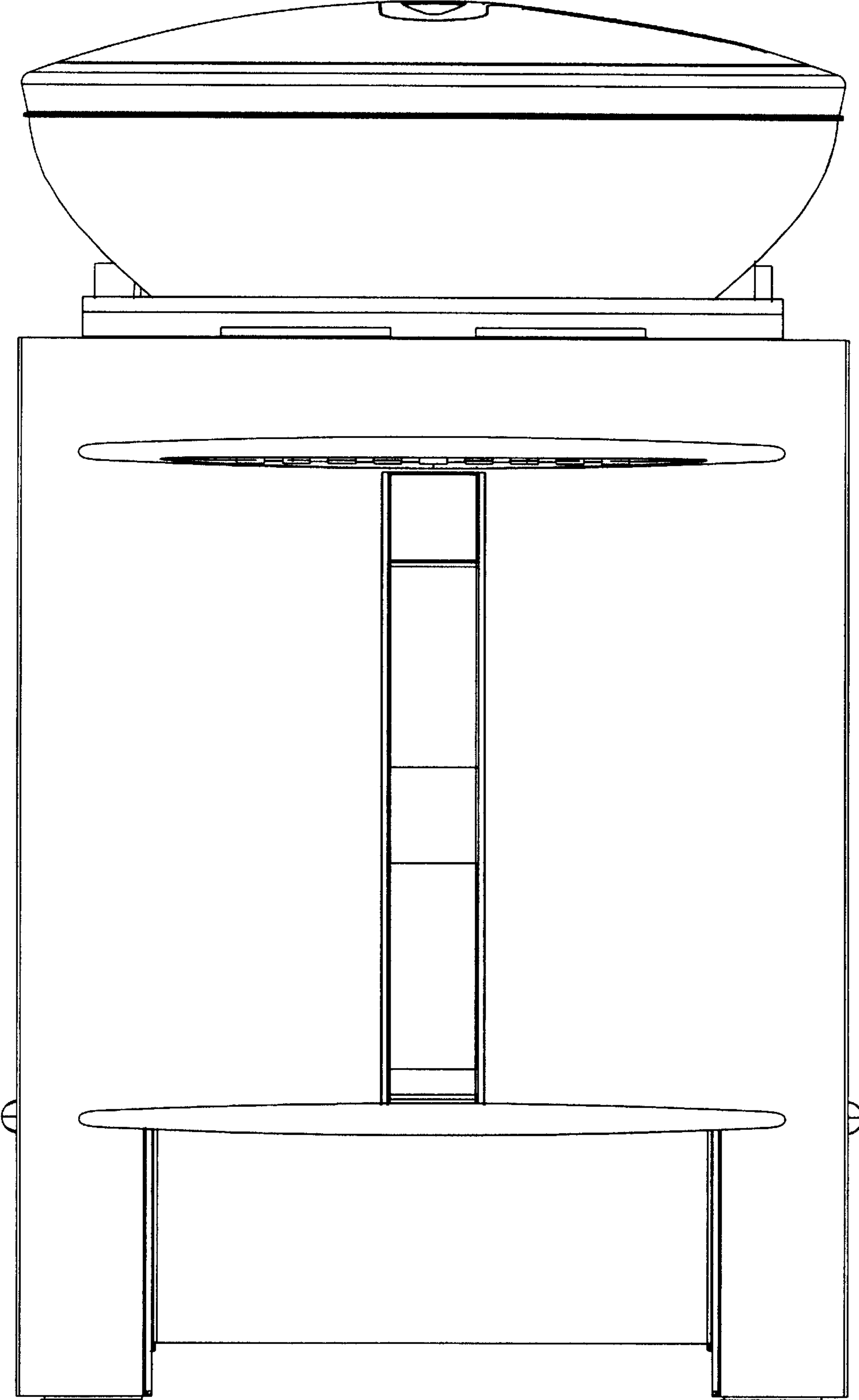


FIG 4.

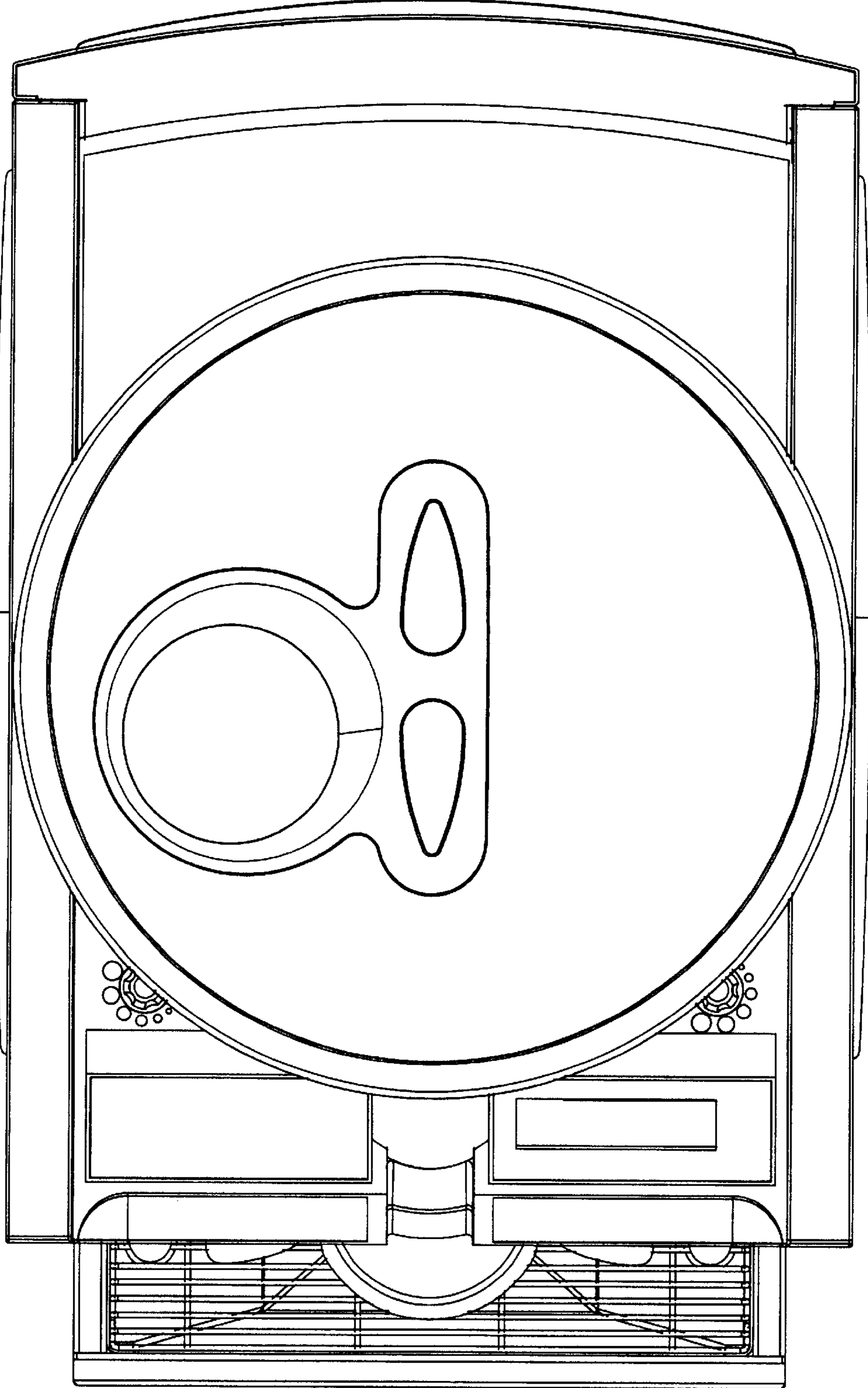


FIG 5.

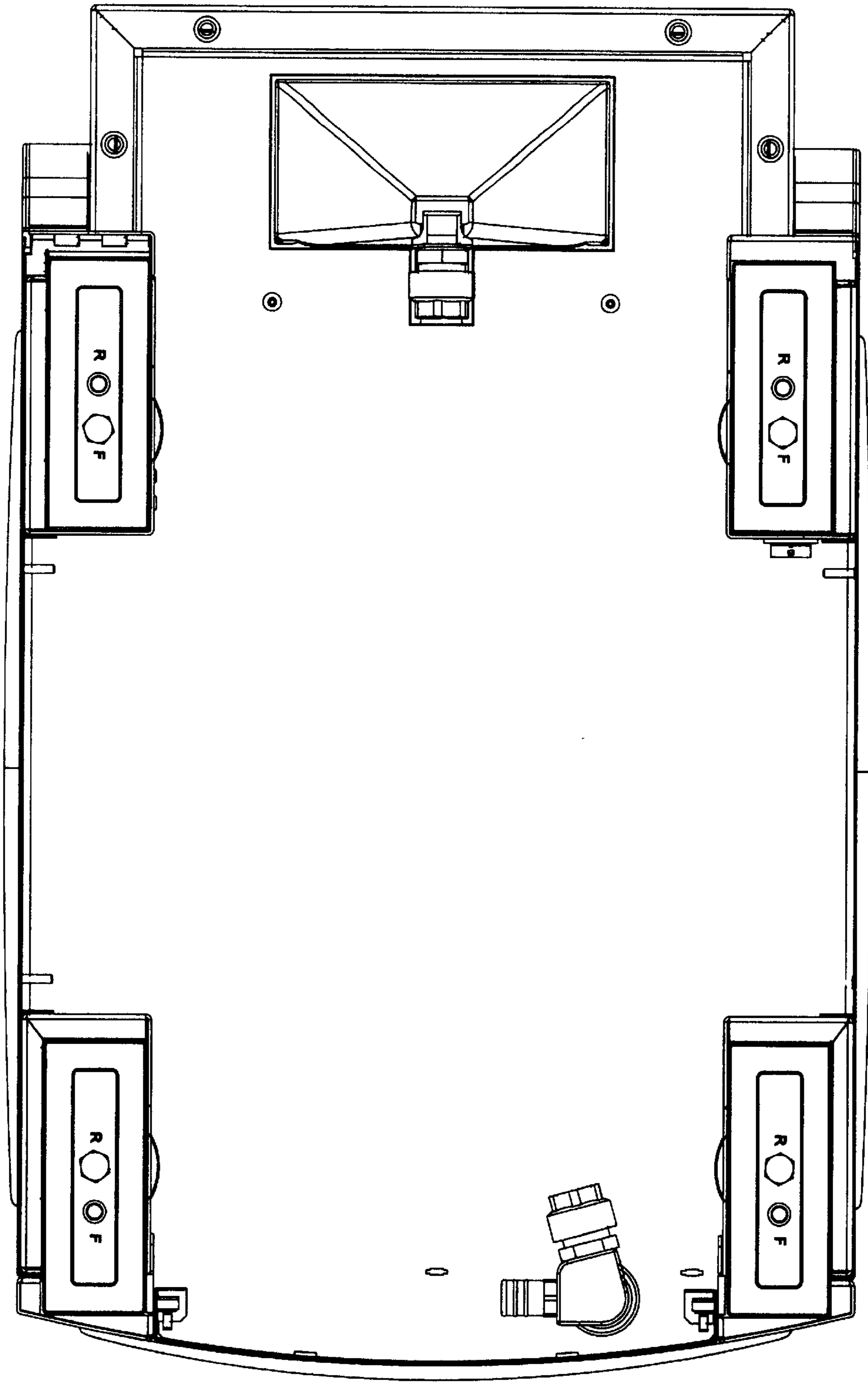


FIG 6.