

US00D502349S

(12) **United States Design Patent**
Tipping

(10) **Patent No.: US D502,349 S**
(45) **Date of Patent: ** Mar. 1, 2005**

(54) **TROLLING BOARD STORAGE DEVICE**

(75) Inventor: **Jerry E. Tipping**, Milton, WI (US)

(73) Assignee: **Angeler's Pride Specialties**, Milton, WI (US)

(**) Term: **14 Years**

(21) Appl. No.: **29/208,744**

(22) Filed: **Jul. 1, 2004**

Related U.S. Application Data

(62) Division of application No. 29/181,837, filed on May 15, 2003, now Pat. No. Des. 497,070.

(51) **LOC (7) Cl. 06-04**

(52) **U.S. Cl. D6/566**

(58) **Field of Search** D6/566-67, 553;
D19/65, 75, 78, 86, 90, 91, 99, 100; 211/10,
11, 13.1, 45, 50, 52, 55, 87.01, 90.03, 119.005,
126.9, 126.11

(56) **References Cited**

U.S. PATENT DOCUMENTS

3,018,897 A	1/1962	Carylye	211/60
3,628,204 A	12/1971	Hoffman, Jr.	9/1
3,805,722 A	4/1974	Melchert, Jr. et al.	114/0.5
4,372,243 A	2/1983	Roope, Jr.	114/364
4,524,538 A	6/1985	Halvorsen	43/43.13

4,671,009 A	6/1987	Faunce	43/54.1
D295,129 S	4/1988	Chap	D6/566
D322,002 S	12/1991	Emery	D6/566
5,341,591 A	8/1994	Hicks	43/43.13
5,454,342 A	10/1995	Colquett et al.	114/364
D364,297 S	11/1995	Daniel	D6/566
6,105,305 A	8/2000	Edens	43/54.1
D438,042 S	2/2001	Hofman et al.	D6/566
D454,460 S	3/2002	Davies	D6/566
D458,640 S	6/2002	Hofman	D6/566
D464,516 S	10/2002	Snell	D6/566
6,491,173 B1	12/2002	Costa	211/126.15
D475,411 S	6/2003	Hardy et al.	D6/566
D488,660 S	4/2004	Post et al.	D6/566

Primary Examiner—Brian N Vinson

(74) *Attorney, Agent, or Firm*—Whyte Hirschboeck Dudek SC

(57) **CLAIM**

The ornamental design for a trolling board storage device, as shown and described.

DESCRIPTION

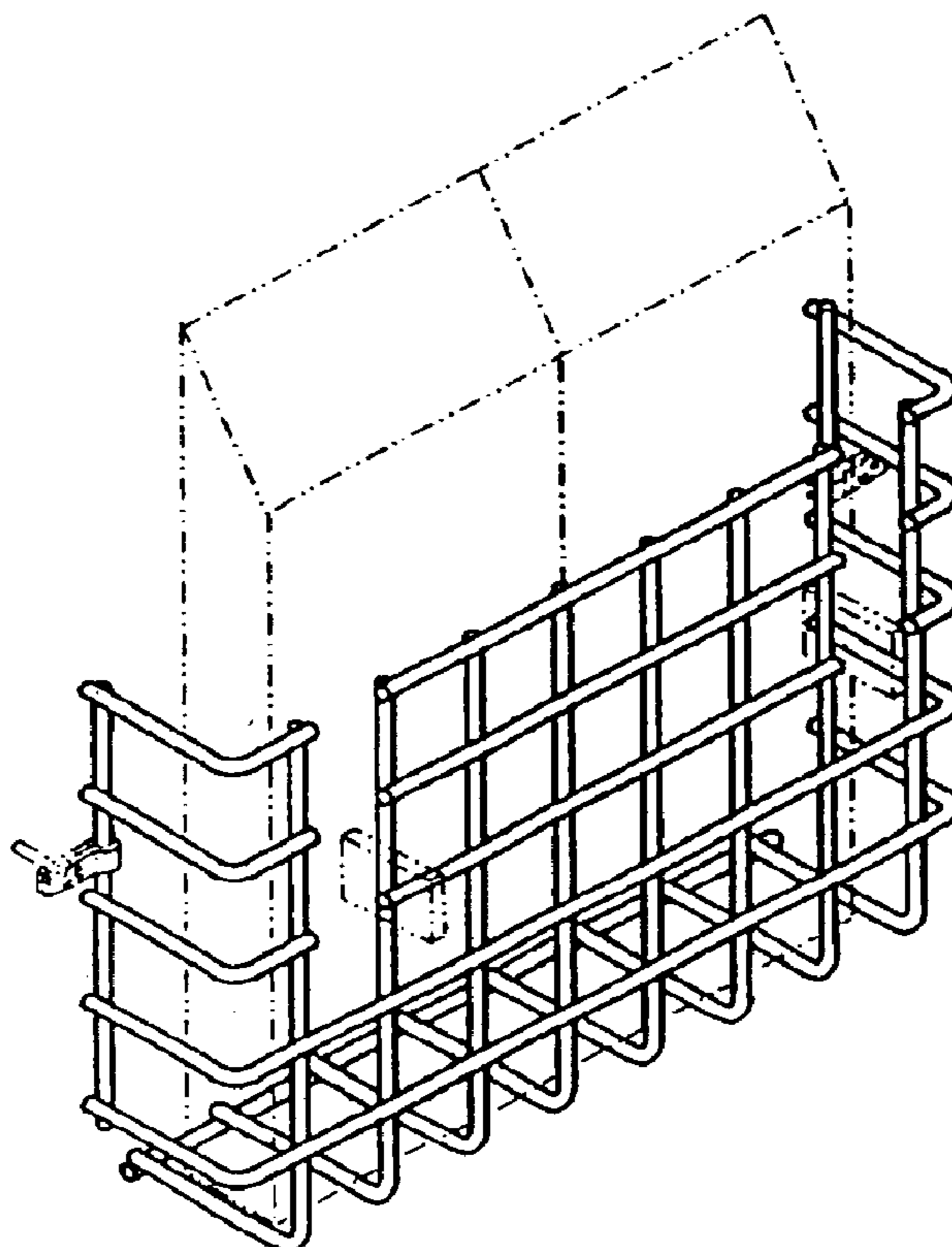
FIG. 1 is a perspective view of a trolling board storage device illustrating my new design;

FIG. 2 is a front view thereof; and,

FIG. 3 is a top plan view thereof.

The broken lines shown in the figures are for illustrative environmental purposes only and form no part of the claimed design.

1 Claim, 1 Drawing Sheet



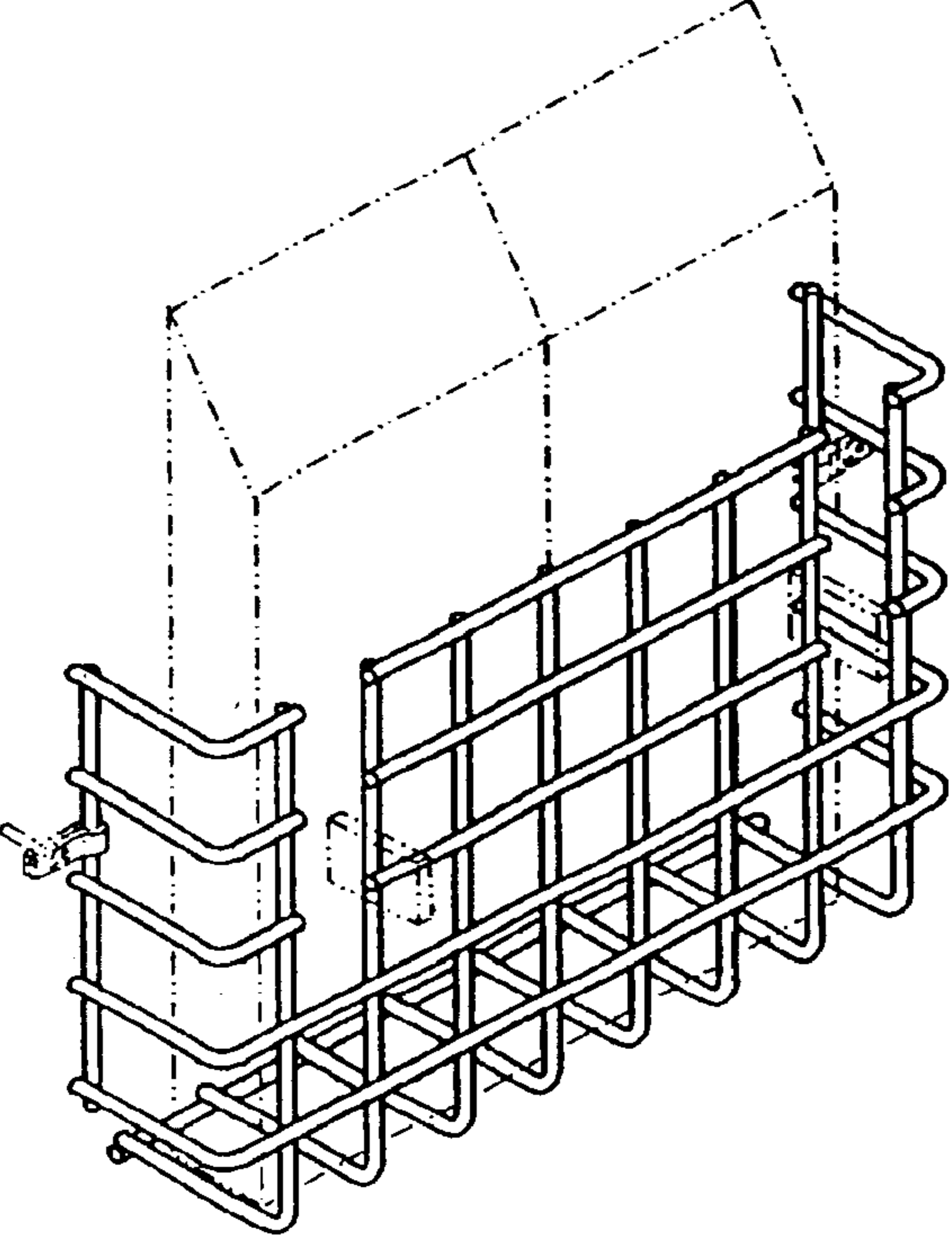


FIG. 1

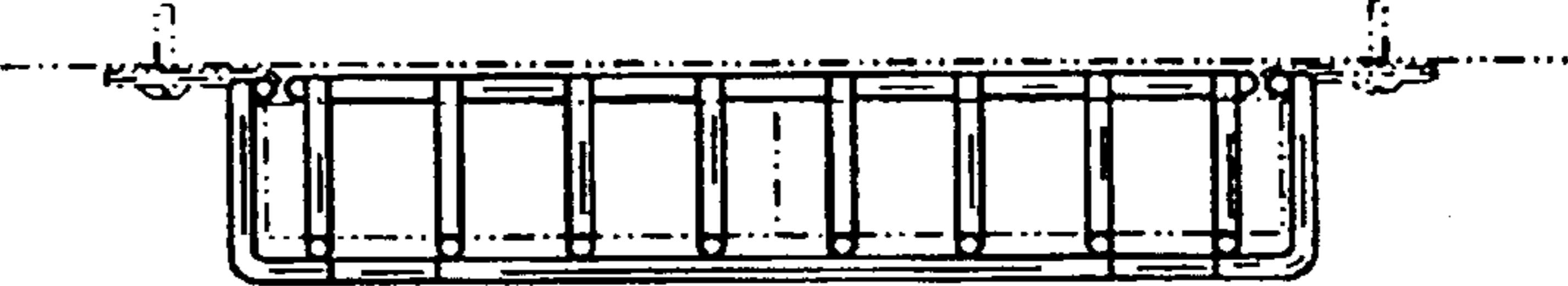


FIG. 2

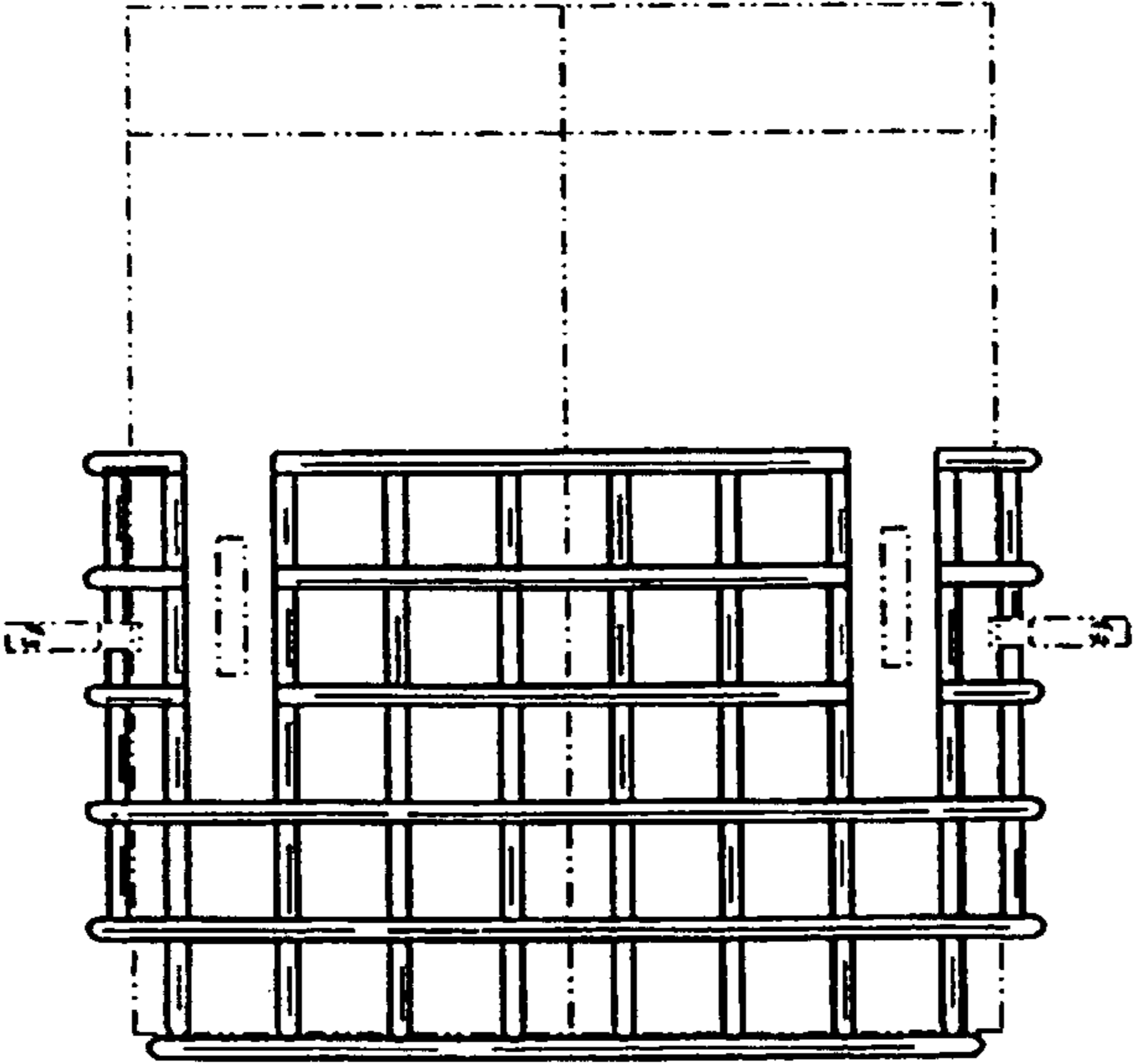


FIG. 3