

US00D502344S

(12) **United States Design Patent**
Risdon et al.

(10) **Patent No.:** **US D502,344 S**
(45) **Date of Patent:** **** Mar. 1, 2005**

(54) **FURNITURE ORNAMENTATION**

D471,732 S * 3/2003 Warren et al. D6/393

(75) Inventors: **Scott M. Risdon**, Greensboro, NC
(US); **Timothy M. O'Hare**, Oak Ridge,
NC (US)

* cited by examiner

Primary Examiner—Janice E. Seeger
(74) *Attorney, Agent, or Firm*—Harness, Dickey & Pierce,
P.L.C.

(73) Assignee: **LADD Furniture, Inc.**, Greensboro,
NC (US)

(57) **CLAIM**

(**) Term: **14 Years**

The ornamental design for the furniture ornamentation, as
shown and described.

(21) Appl. No.: **29/177,455**

DESCRIPTION

(22) Filed: **Mar. 11, 2003**

(51) **LOC (7) Cl.** **06-06**

(52) **U.S. Cl.** **D6/503; D6/505; D6/491**

(58) **Field of Search** D6/382–384, 388,
D6/389, 392–395, 503, 505–508, 491, 497,
493; 5/53.1, 279.1, 280, 281, 310, 907;
D25/137

FIG. 1 is a perspective view of a furniture ornamentation in
accordance with the present invention;
FIG. 2 is a front view of the furniture ornamentation, the
back view being a mirror image thereof;
FIG. 3 is an enlarged view of the portion of the furniture
ornamentation indicated by the circle in FIG. 2;
FIG. 4 is a top view of the furniture ornamentation, the left
side view being a mirror image thereof; and,
FIG. 5 is a right side view of the furniture ornamentation, the
left side view being a mirror image thereof.

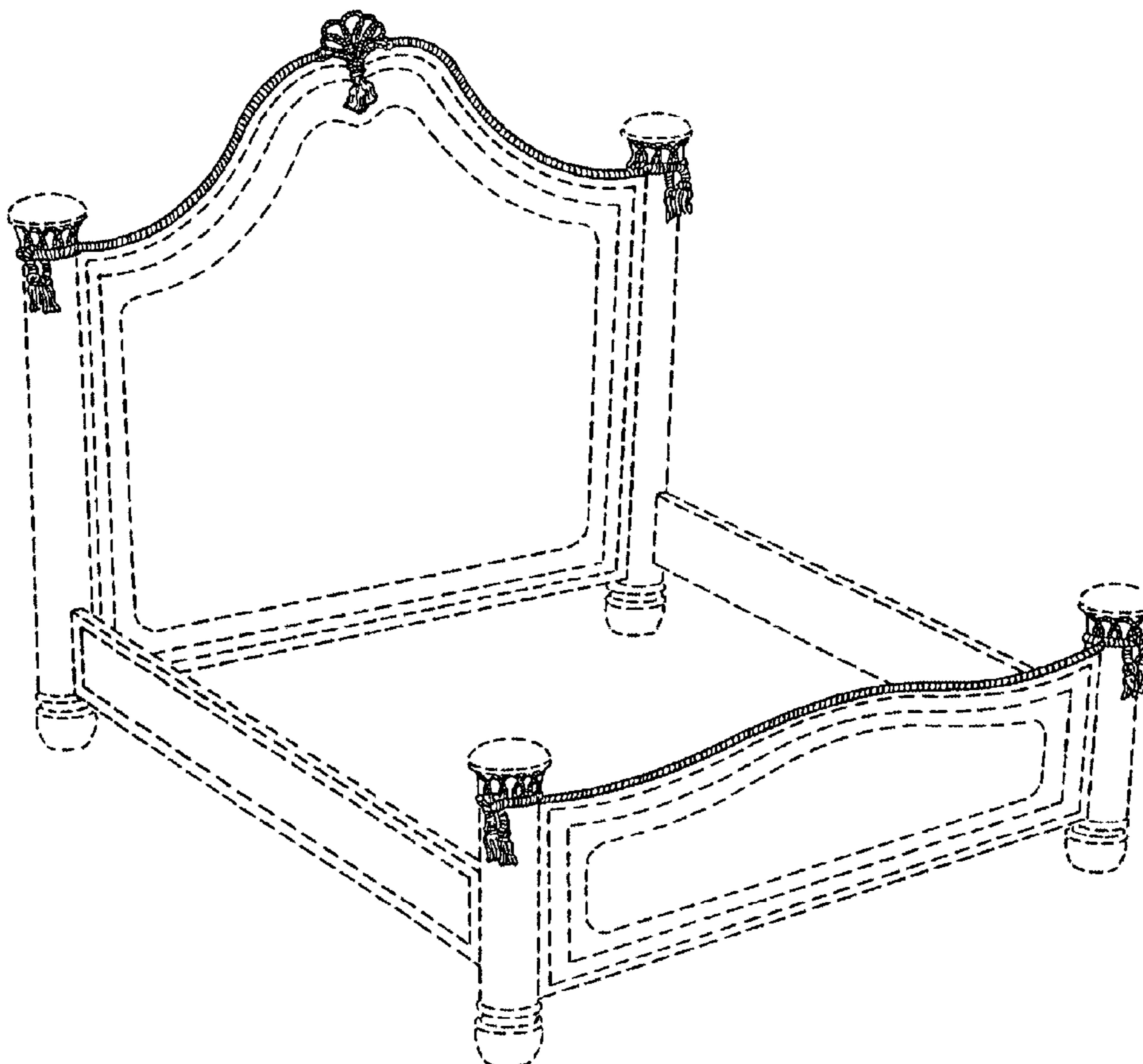
The various pieces of furniture, as shown in broken lines in
the drawings, are included to disclose the environment
related to the claimed design for form no part of the present
invention.

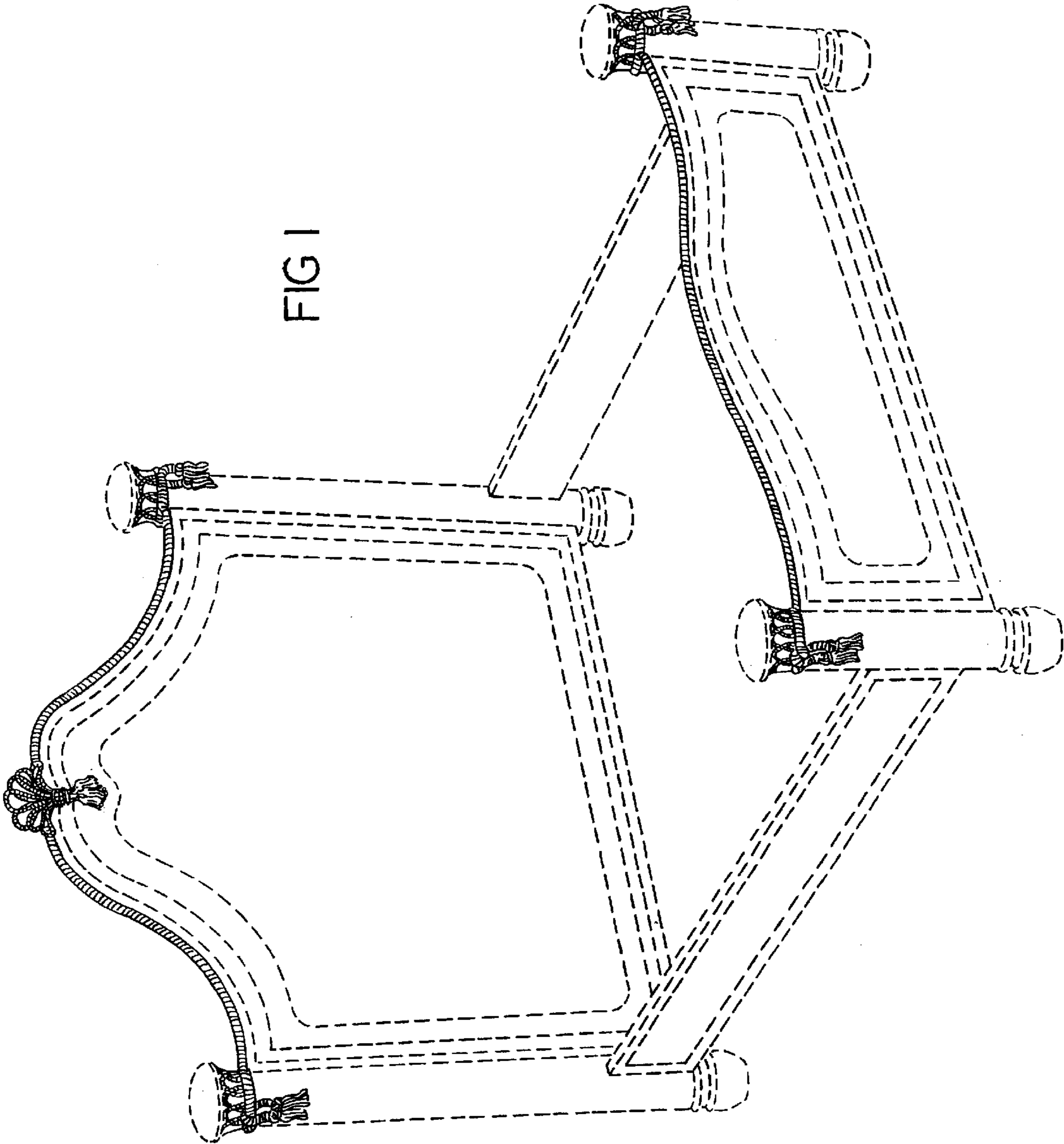
(56) **References Cited**

U.S. PATENT DOCUMENTS

D64,311 S	*	3/1924	Frank	D6/503
D101,367 S	*	9/1936	Ingrassia	D25/137
D139,253 S	*	10/1944	Millington	D6/388
D455,284 S	*	4/2002	Vaaler	D6/393
D462,193 S	*	9/2002	Lenger	D6/393

1 Claim, 3 Drawing Sheets





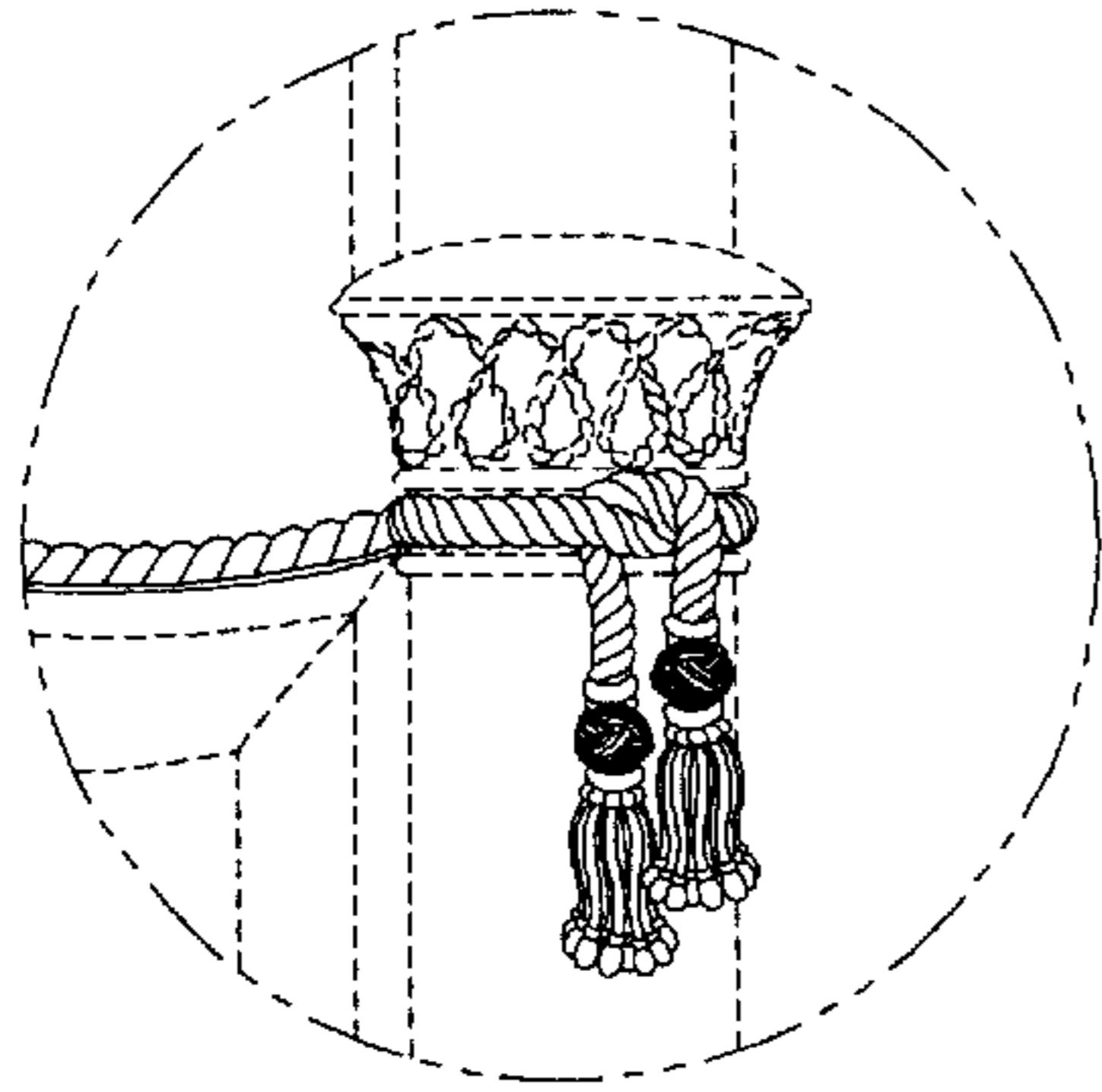


FIG 2

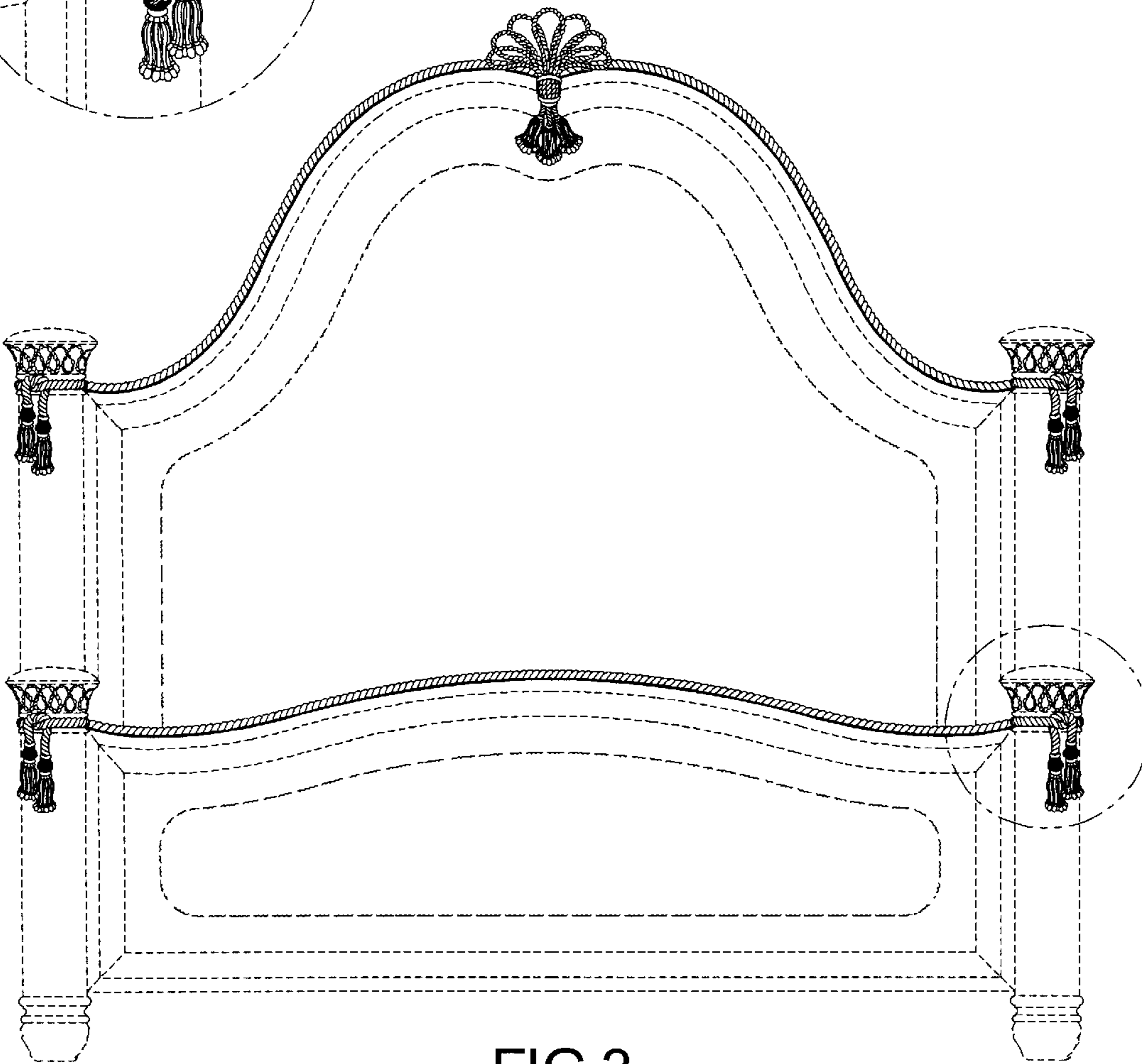


FIG 3

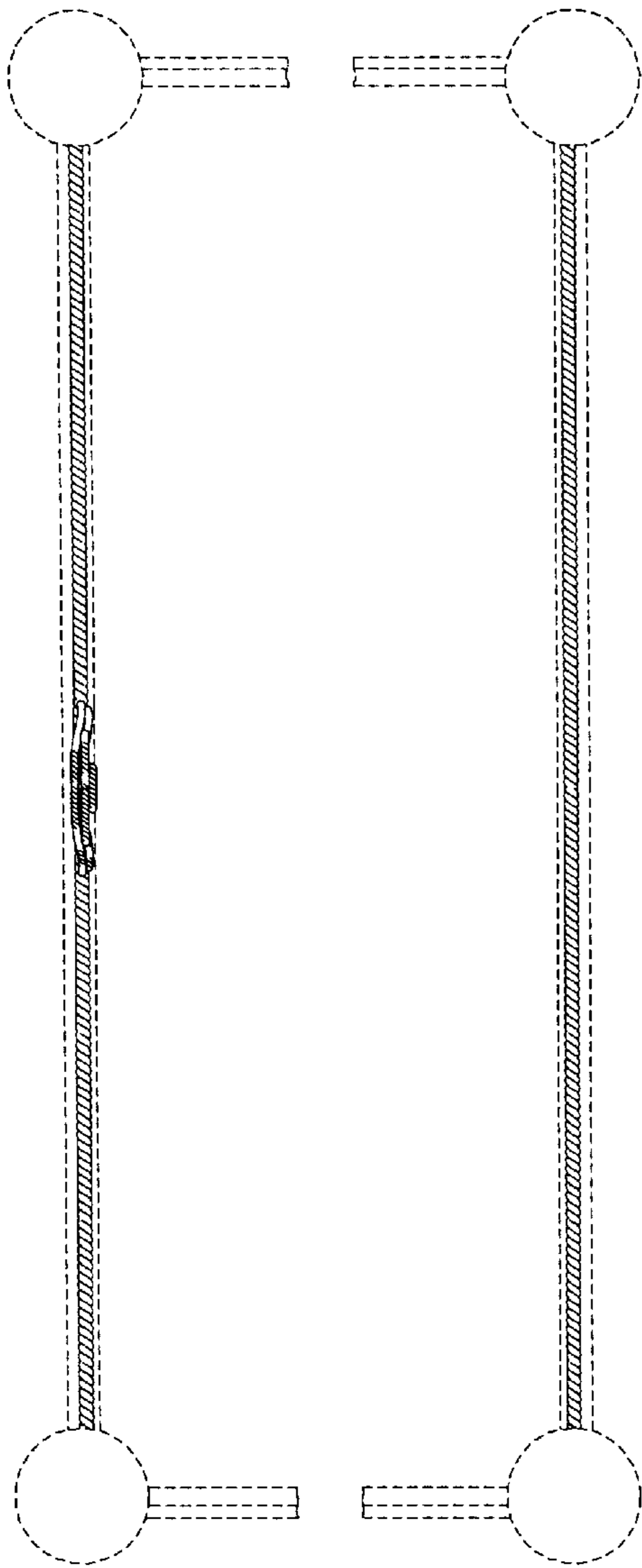


FIG 4

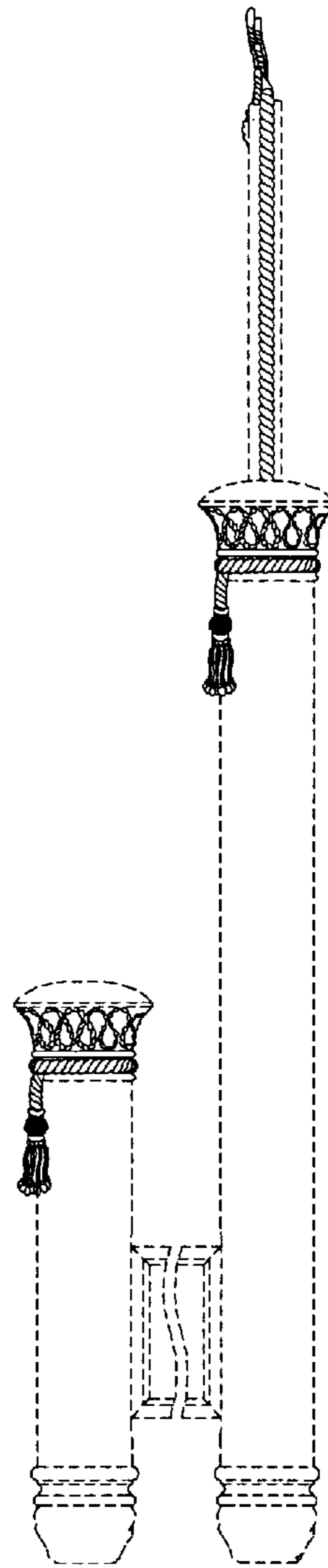


FIG 5