

US00D502343S

(12) **United States Design Patent**  
**Darafeev**

(10) **Patent No.:** **US D502,343 S**  
(45) **Date of Patent:** **\*\* Mar. 1, 2005**

(54) **FRAME FOR THE SEAT AND BACKREST  
PORTION FOR CHAIRS, BARSTOOLS, OR  
THE LIKE**

D385,424 S \* 10/1997 Chandler ..... D6/358  
D431,380 S \* 10/2000 Hutton ..... D6/360  
D433,831 S \* 11/2000 Wistehuff, Sr. .... D6/360  
D481,874 S \* 11/2003 Darafeev ..... D6/360

(75) **Inventor:** **George Darafeev**, Alta Loma, CA (US)

\* cited by examiner

(73) **Assignee:** **Mikhail Darafeev, Inc.**, Chino, CA (US)

*Primary Examiner*—Gary D. Watson  
(74) *Attorney, Agent, or Firm*—Jones Day

(\*\*) **Term:** **14 Years**

(57) **CLAIM**

(21) **Appl. No.:** **29/181,625**

The ornamental design for a frame for the seat and backrest portion for chairs, barstools, or the like, as shown and described.

(22) **Filed:** **May 13, 2003**

(51) **LOC (7) Cl.** ..... **06-01**

(52) **U.S. Cl.** ..... **D6/500; D2/502**

(58) **Field of Search** ..... D6/334, 335, 360,  
D6/374, 379, 380, 500, 501, 502; 297/445.1,  
461

**DESCRIPTION**

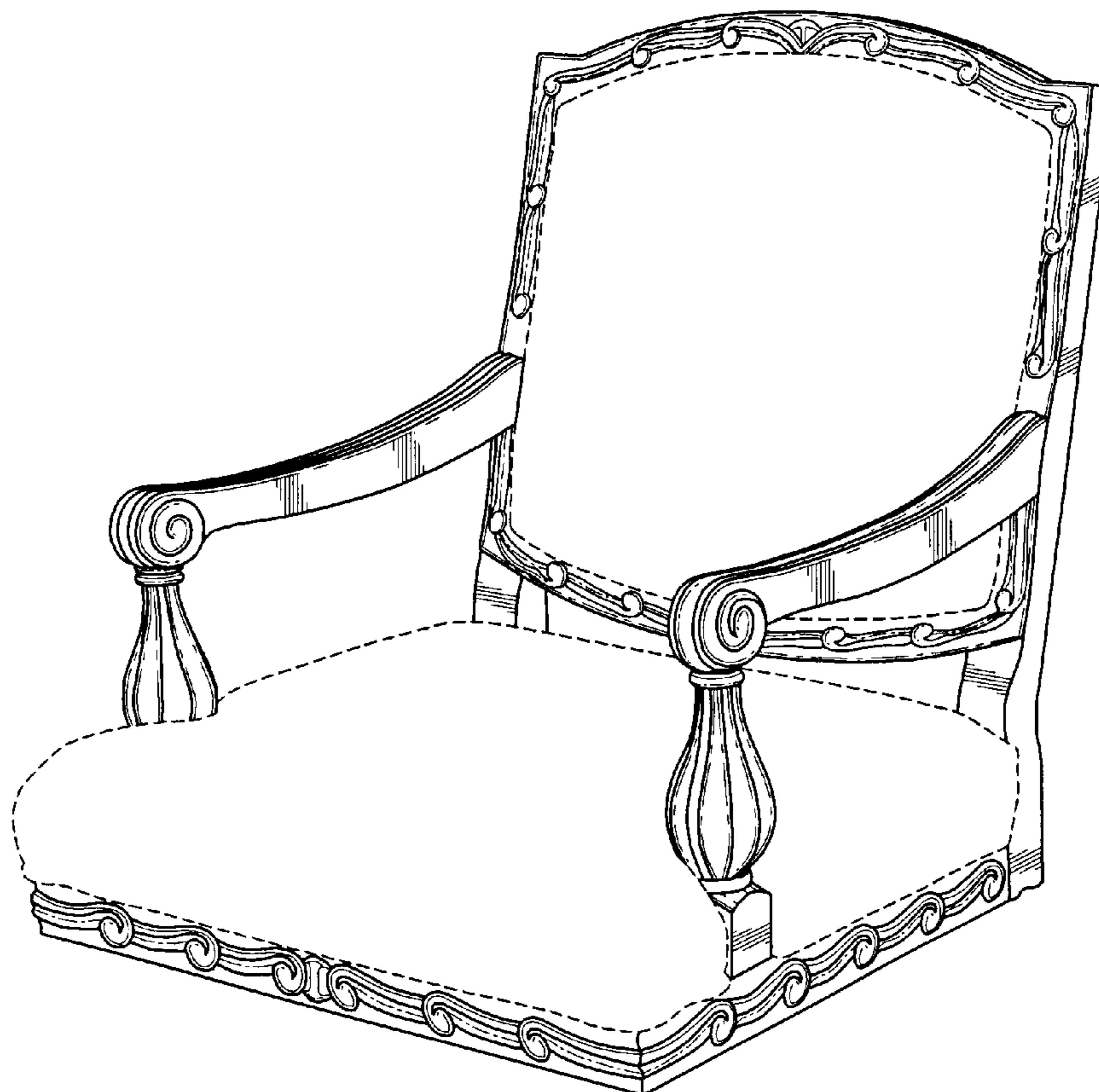
FIG. 1 is a perspective view of a frame for the seat and backrest portion for chairs, barstools, or the like; FIG. 2 is a side view of FIG. 1, the opposite side being a mirror image thereof; FIG. 3 is a top view thereof; FIG. 4 is a front view thereof; and, FIG. 5 is a rear view thereof. The broken line showing of environment is for illustrative purposes only and forms no part of the claimed design.

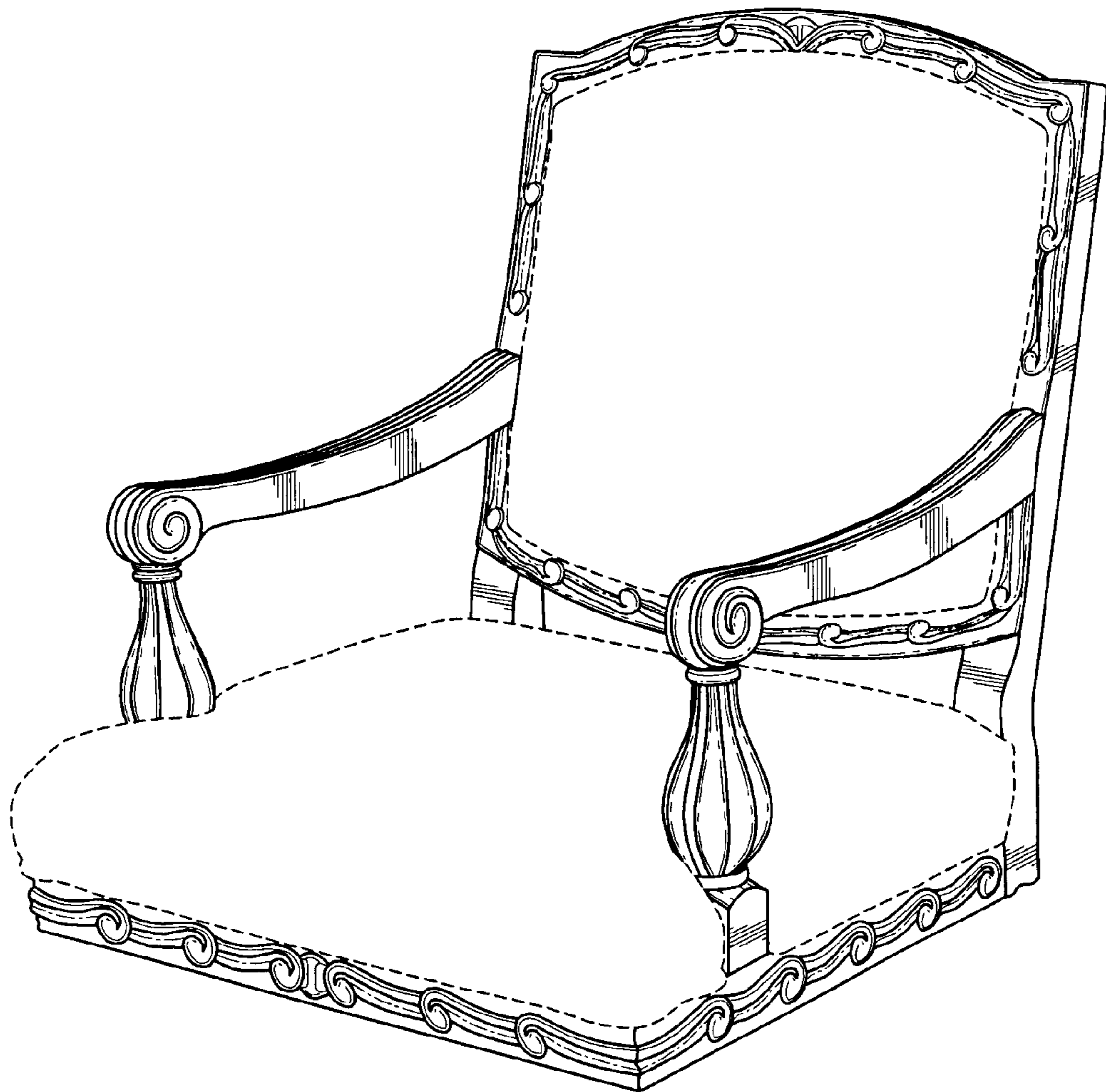
(56) **References Cited**

**U.S. PATENT DOCUMENTS**

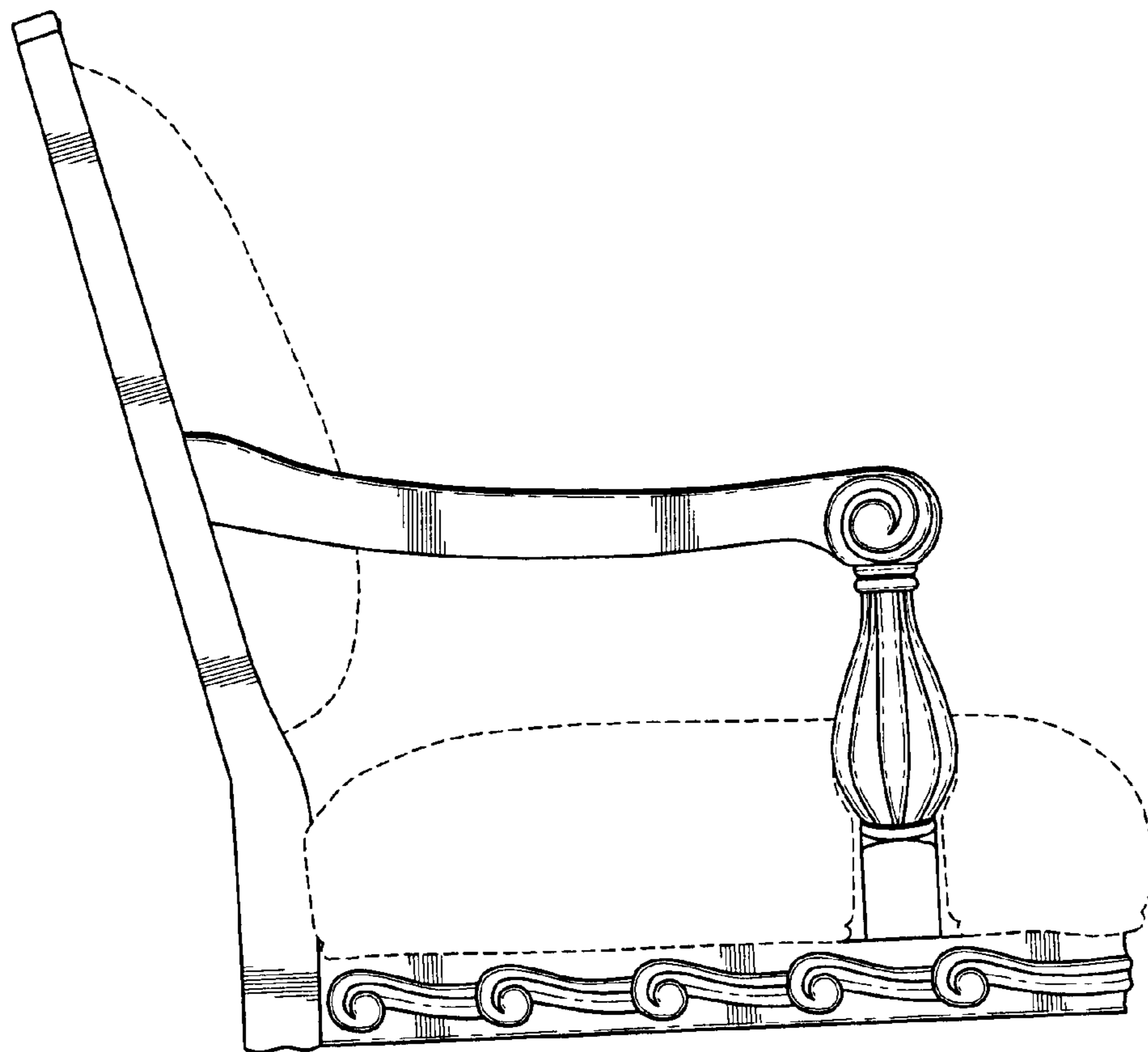
D63,612 S \* 12/1923 Chatfield ..... D6/379  
D75,490 S \* 6/1928 Gunlocke et al. .... D6/379  
D242,308 S \* 11/1976 Adkinson ..... D6/379  
D364,743 S \* 12/1995 Lewis ..... D6/334

**1 Claim, 5 Drawing Sheets**

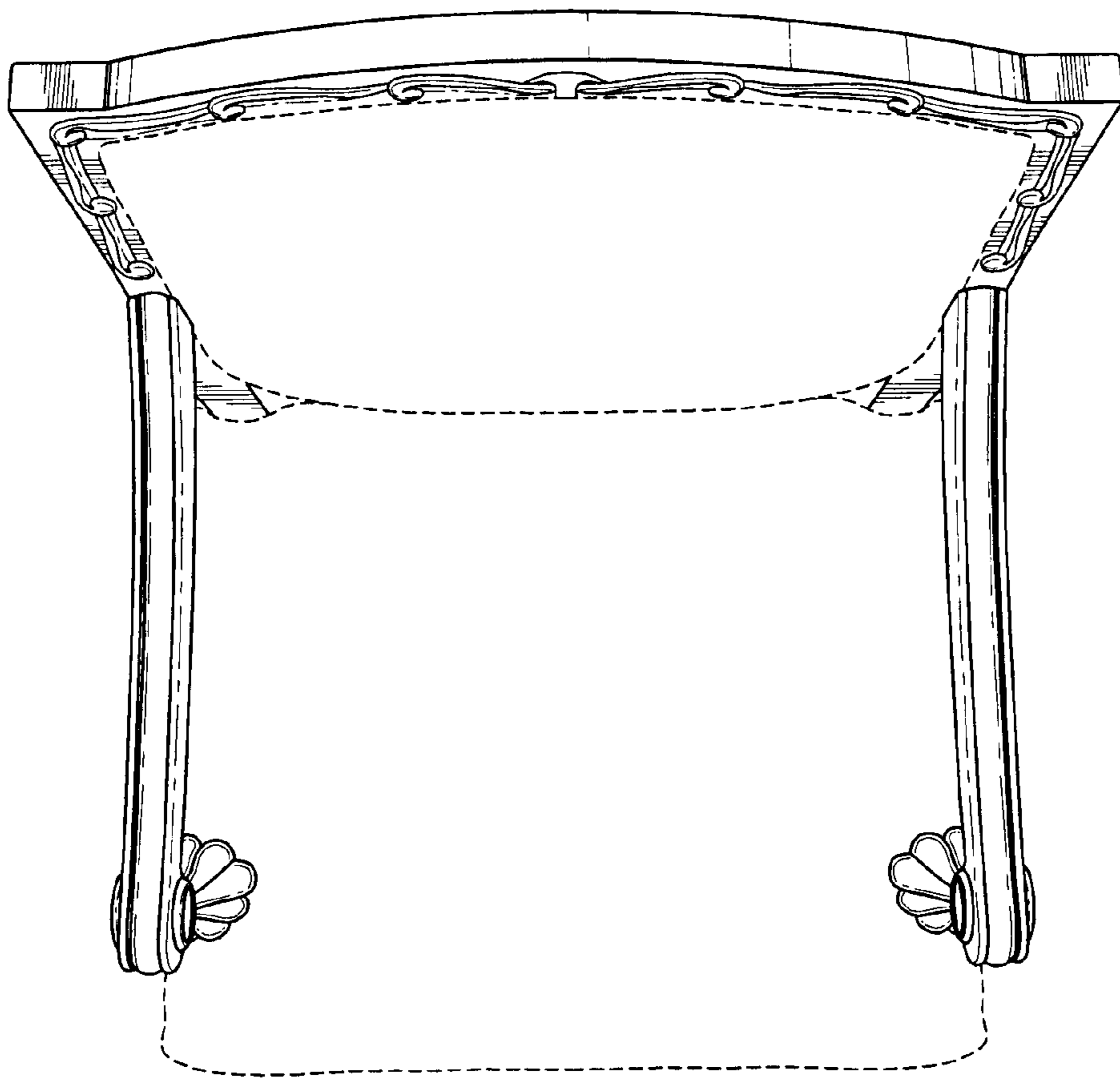




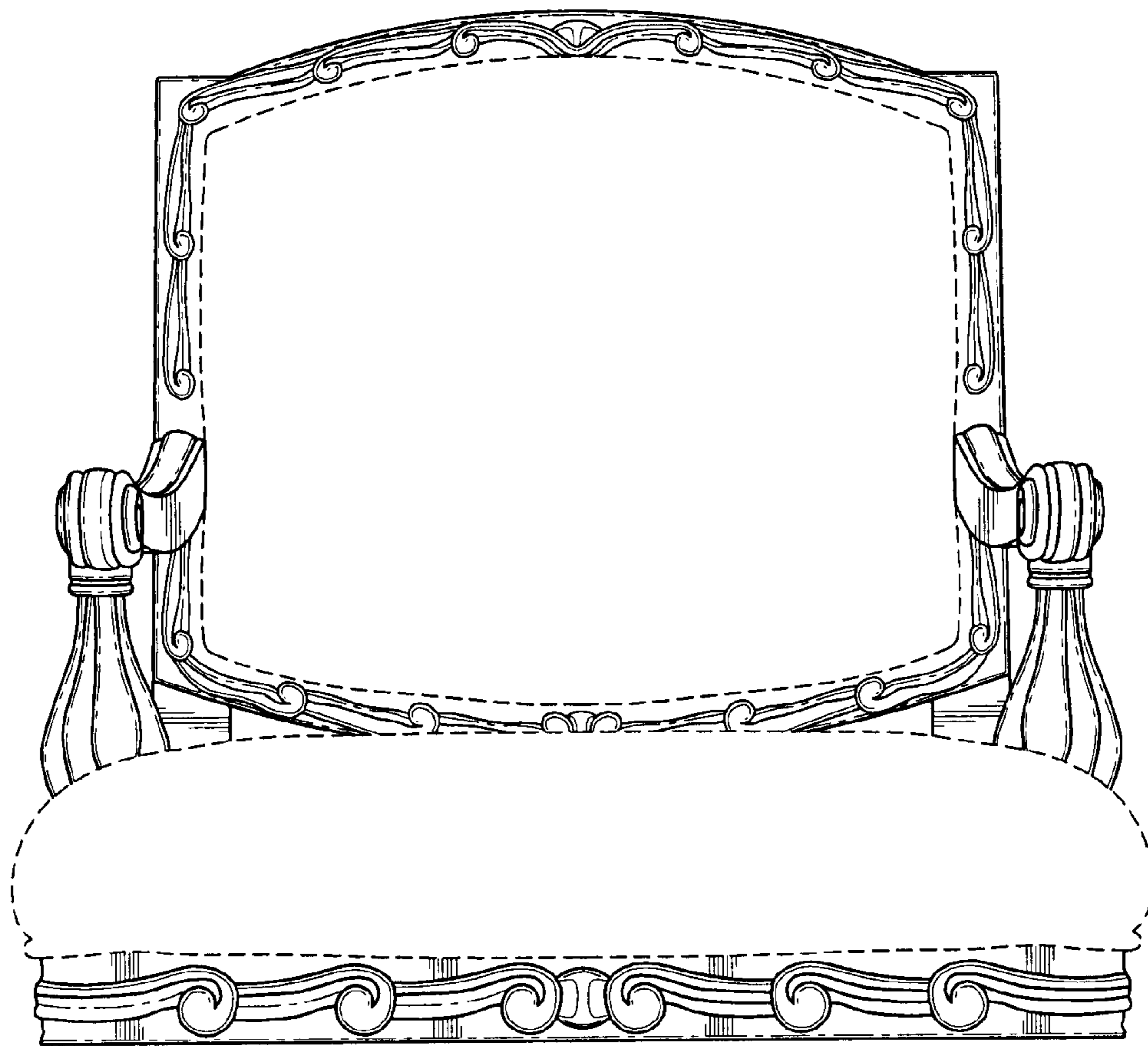
*FIG. 1*



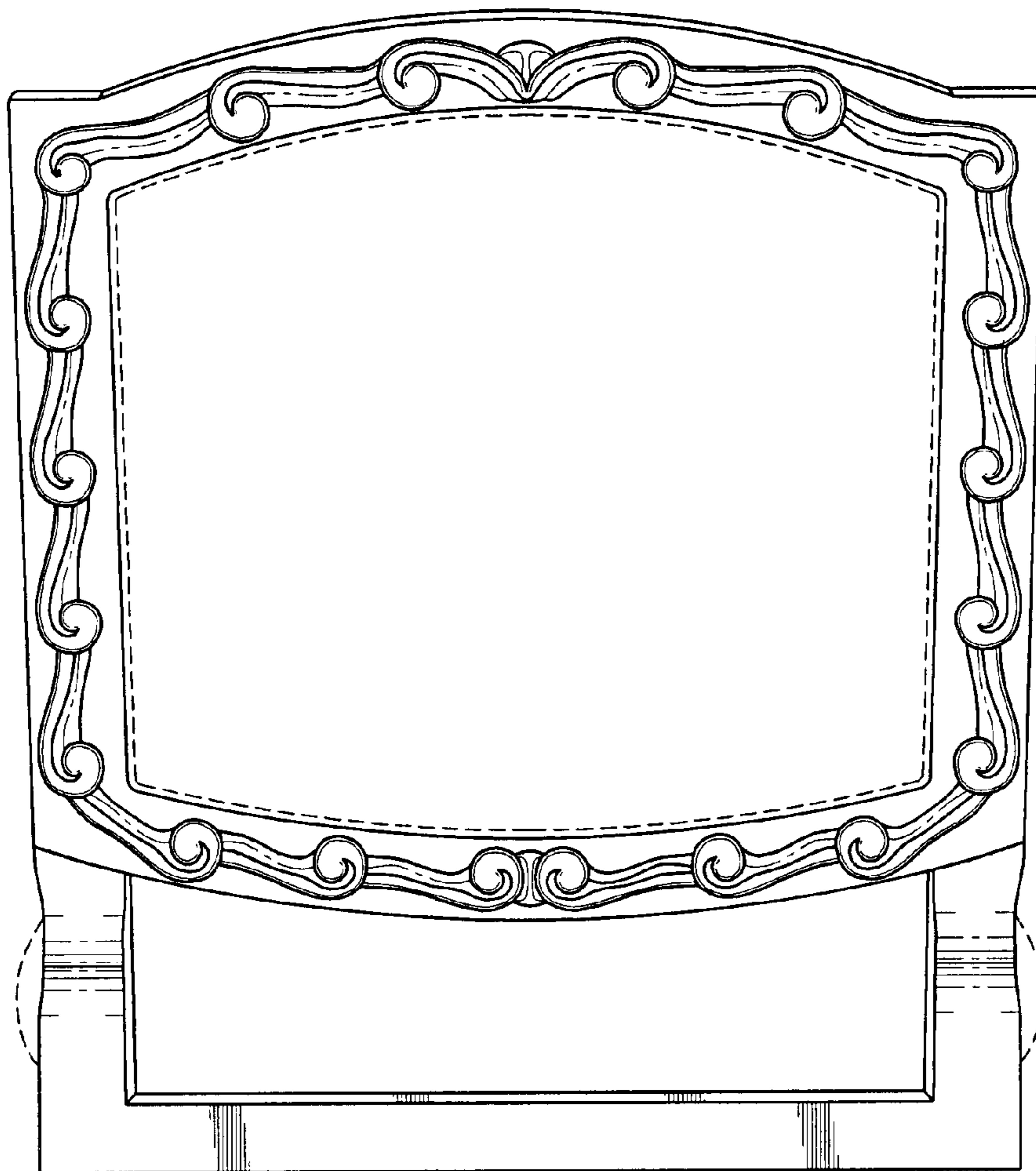
*FIG. 2*



*FIG. 3*



*FIG. 4*



*FIG. 5*