

US00D502342S

(12) **United States Design Patent**
O'Hare

(10) **Patent No.:** **US D502,342 S**

(45) **Date of Patent:** **** Mar. 1, 2005**

(54) **TABLE**

D439,770 S 4/2001 McDaniel et al. D6/480

(76) **Inventor:** **Timothy M. O'Hare**, 5821 Rosedale Dr., Oak Ridge, NC (US) 27310

(**) **Term:** **14 Years**

(21) **Appl. No.:** **29/200,564**

(22) **Filed:** **Mar. 1, 2004**

(51) **LOC (7) Cl.** **06-06**

(52) **U.S. Cl.** **D6/480; D6/430**

(58) **Field of Search** D6/480-489, 495-499, D6/429-431, 511, 477; 108/150, 153.1, 156, 157.1, 161, 65, 69, 77, 79, 83, 86; 248/188, 188.1, 188.8

(56) **References Cited**

U.S. PATENT DOCUMENTS

472,347 A	4/1892	Gibbs	
D63,282 S	* 11/1923	Cameron	D6/480
D72,151 S	* 3/1927	Guth	D6/480
D72,363 S	* 4/1927	Erskine	D6/480
2,631,075 A	* 3/1953	De Gaal	108/86
2,707,138 A	* 4/1955	Vangor	108/83

OTHER PUBLICATIONS

Photocopy of a table from Furniture Today dated Apr. 10, 1989, p. 135.

Photocopy of a French farmhouse table from Phelps Limited; undated.

* cited by examiner

Primary Examiner—Janice E. Seeger

(74) *Attorney, Agent, or Firm*—MacCord Mason PLLC

(57) **CLAIM**

The ornamental design for a table, as shown and described.

DESCRIPTION

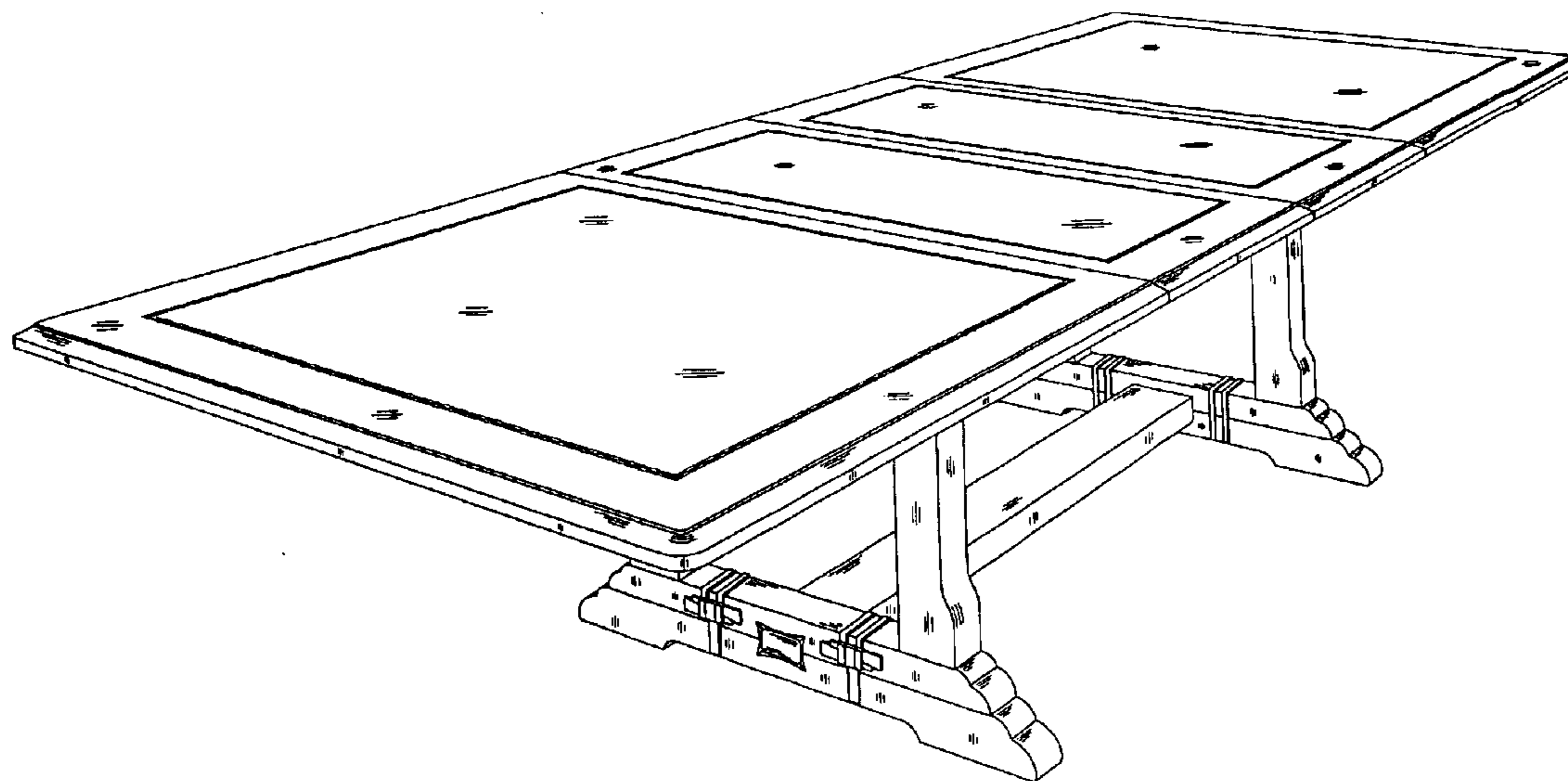
FIG. 1 is a front perspective view of a table showing my new design;

FIG. 2 is an end view, the opposite end being a mirror image thereof;

FIG. 3 is a side view, the opposite side being a mirror image thereof; and,

FIG. 4 is a top view thereof.

1 Claim, 4 Drawing Sheets



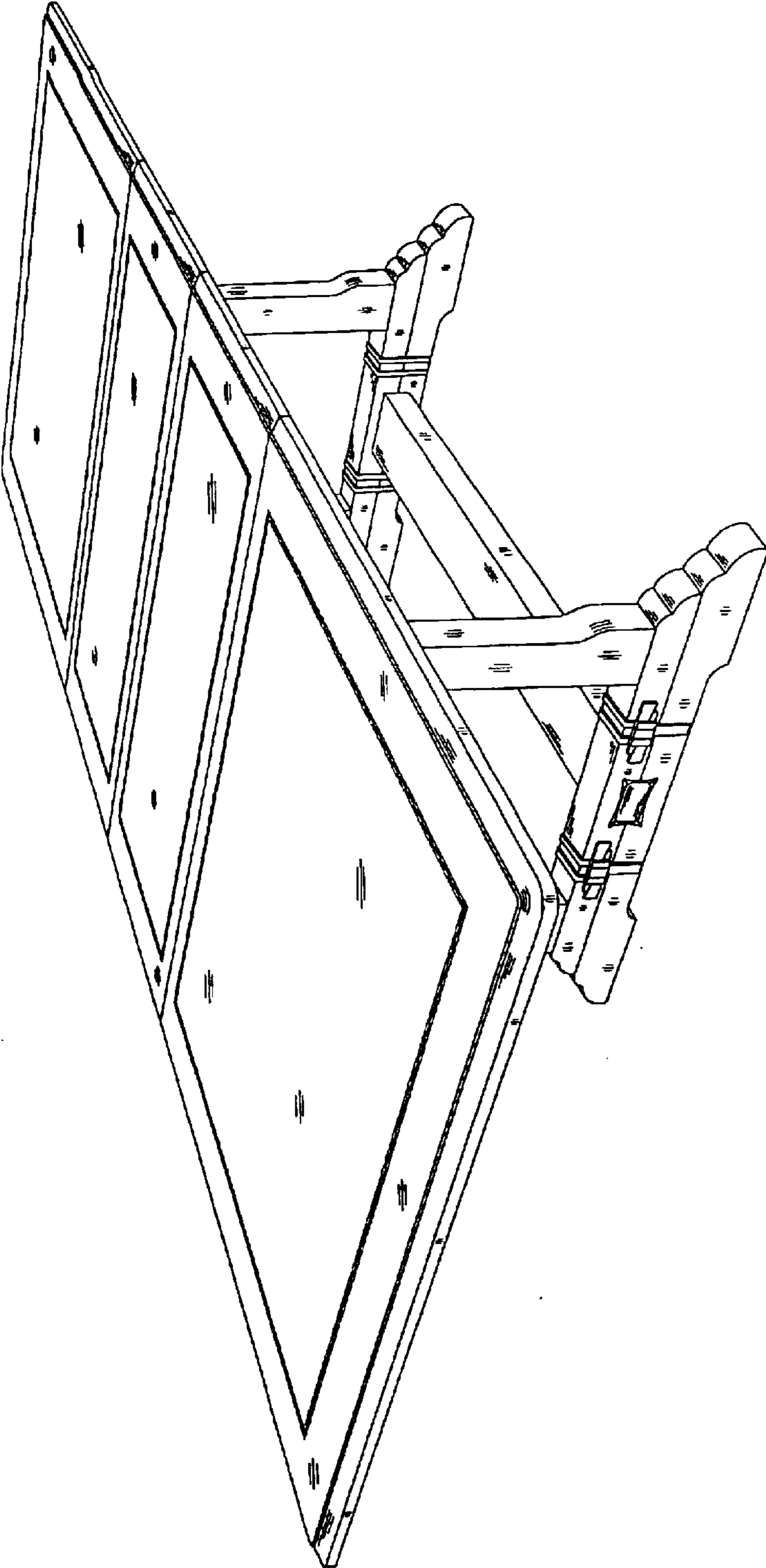


FIG. 1

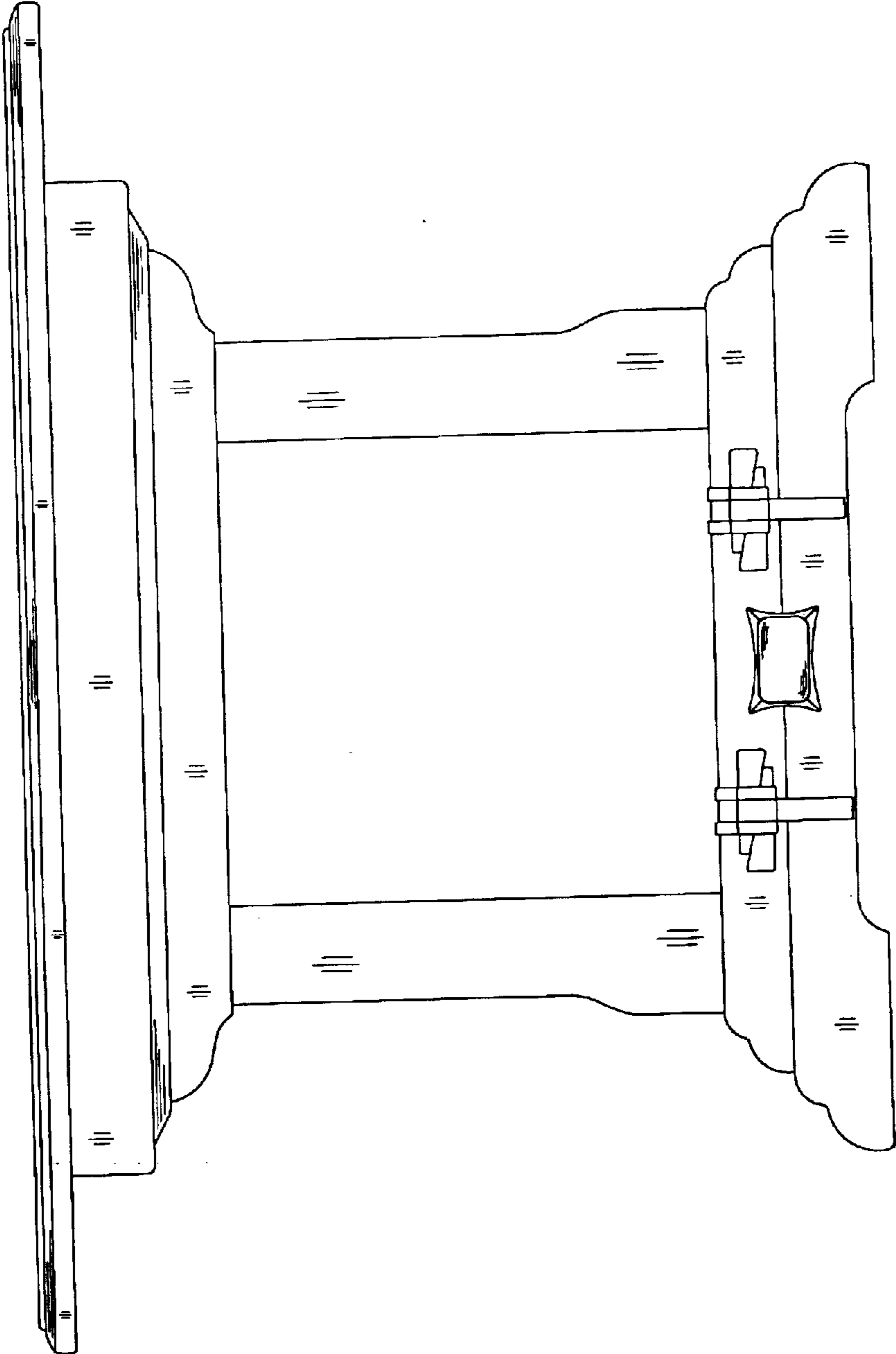


FIG. 2

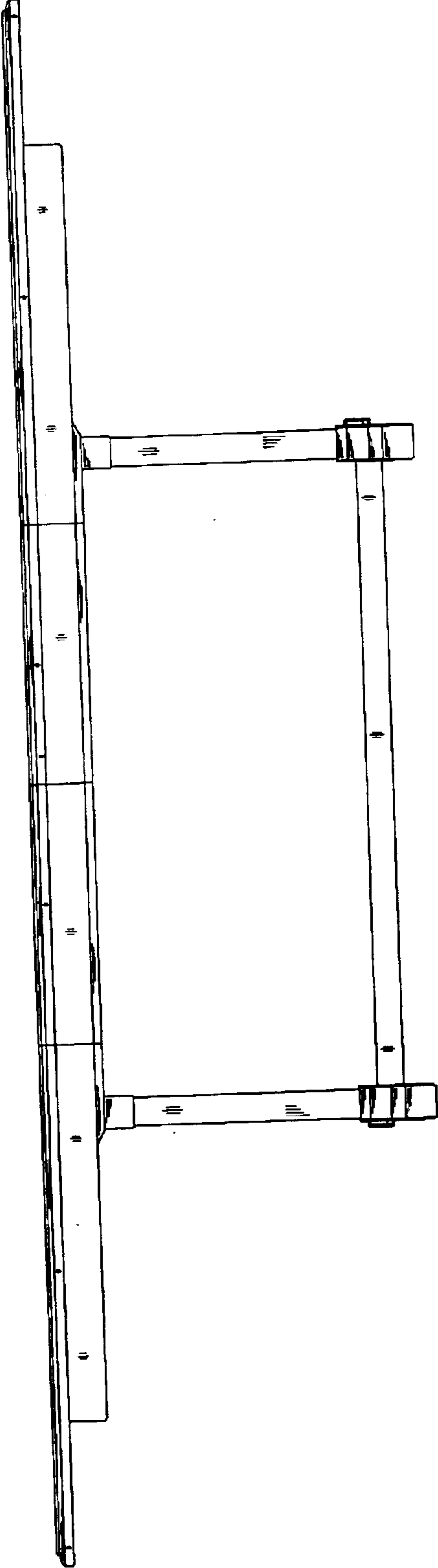


FIG. 3

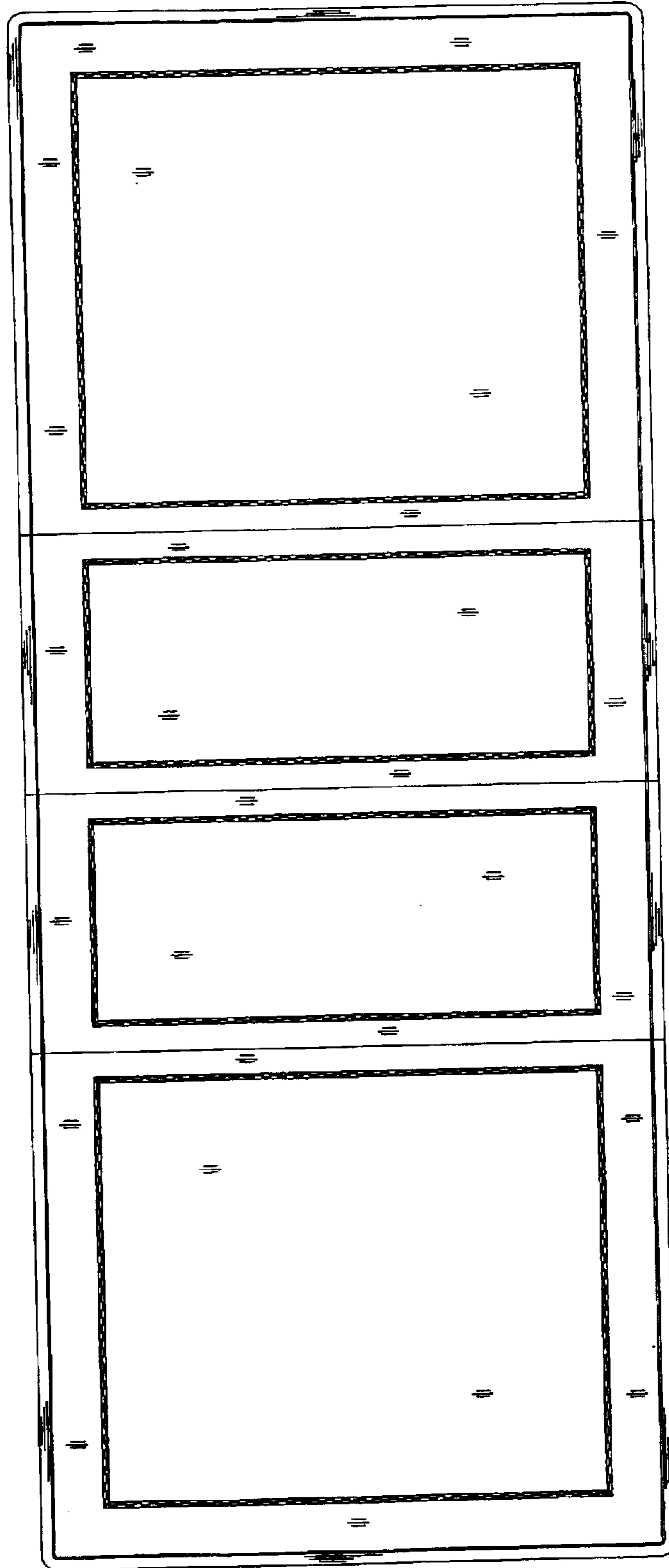


FIG. 4