

US00D502338S

(12) **United States Design Patent**
Zanghi et al.

(10) **Patent No.:** **US D502,338 S**
(45) **Date of Patent:** **** Mar. 1, 2005**

- (54) **DISPLAY STAND**
- (75) Inventors: **Frank Zanghi**, Sterling, MA (US);
Robert Shelton, Princeton, MA (US)
- (73) Assignee: **Incase, Inc.**, Hopedale, MA (US)
- (**) Term: **14 Years**
- (21) Appl. No.: **29/198,936**
- (22) Filed: **Feb. 6, 2004**
- (51) **LOC (7) Cl.** **06-04**
- (52) **U.S. Cl.** **D6/466**
- (58) **Field of Search** D6/310, 449, 475,
D6/466-469; D3/901, 903; D9/415, 422,
434, 455; D19/86, 90, 92, 95; 211/13.1,
85.1-85.4, 85.26; 248/114, 116, 176.1;
206/6.1, 301

- 5,383,552 A 1/1995 Dikowitz
- 5,394,994 A 3/1995 Coblentz et al.
- 5,458,305 A 10/1995 Woodward
- 5,615,856 A 4/1997 Simington
- D379,758 S * 6/1997 Chu Lee D9/415
- 5,636,815 A 6/1997 Wilson
- 5,655,655 A 8/1997 Herzog
- 5,752,600 A 5/1998 Kurashina et al.
- 5,779,206 A 7/1998 Harris et al.
- 5,799,911 A * 9/1998 Dostie et al. 248/116
- D409,416 S * 5/1999 Au D6/466
- 6,079,683 A 6/2000 Lin
- 6,173,928 B1 1/2001 Coats
- 6,209,828 B1 4/2001 Au
- 6,213,438 B1 4/2001 Ostby et al.
- 6,264,148 B1 7/2001 Chandler
- 6,341,751 B1 1/2002 Herzog
- D478,740 S * 8/2003 Kirshner D6/466

(56) **References Cited**
U.S. PATENT DOCUMENTS

- 431,036 A 7/1890 Dawson
- 566,809 A 9/1896 Strong
- 721,245 A 2/1903 Simon
- 1,315,326 A 9/1919 Palls
- 1,326,363 A 12/1919 Michelin
- 1,384,861 A 7/1921 Schingel
- 2,549,369 A 4/1951 Epstein
- 2,595,054 A 4/1952 Chesick
- 2,650,785 A 9/1953 Haister
- 2,655,335 A 10/1953 Johnson
- 3,958,786 A 5/1976 Mann
- 4,034,849 A 7/1977 Zakrajsek
- 4,082,183 A 4/1978 Sturm
- 4,293,943 A 10/1981 Avery et al.
- 4,491,425 A 1/1985 Young-Koo
- 4,707,146 A 11/1987 Wein
- 4,830,181 A 5/1989 Hartman
- D322,189 S * 12/1991 Schechter D6/466
- 5,136,557 A 8/1992 Plawker et al.
- 5,181,608 A 1/1993 Herzog
- D343,745 S * 2/1994 Wenger D6/466
- 5,325,960 A 7/1994 Sims
- 5,377,822 A 1/1995 Herzog

OTHER PUBLICATIONS

Impenco Ltd. (visited May 6, 2002) <http://www.Impenco.com>.

* cited by examiner

Primary Examiner—Stacia Cadmus
Assistant Examiner—Mimosa De
(74) *Attorney, Agent, or Firm*—Kirkpatrick & Lockhart LLP

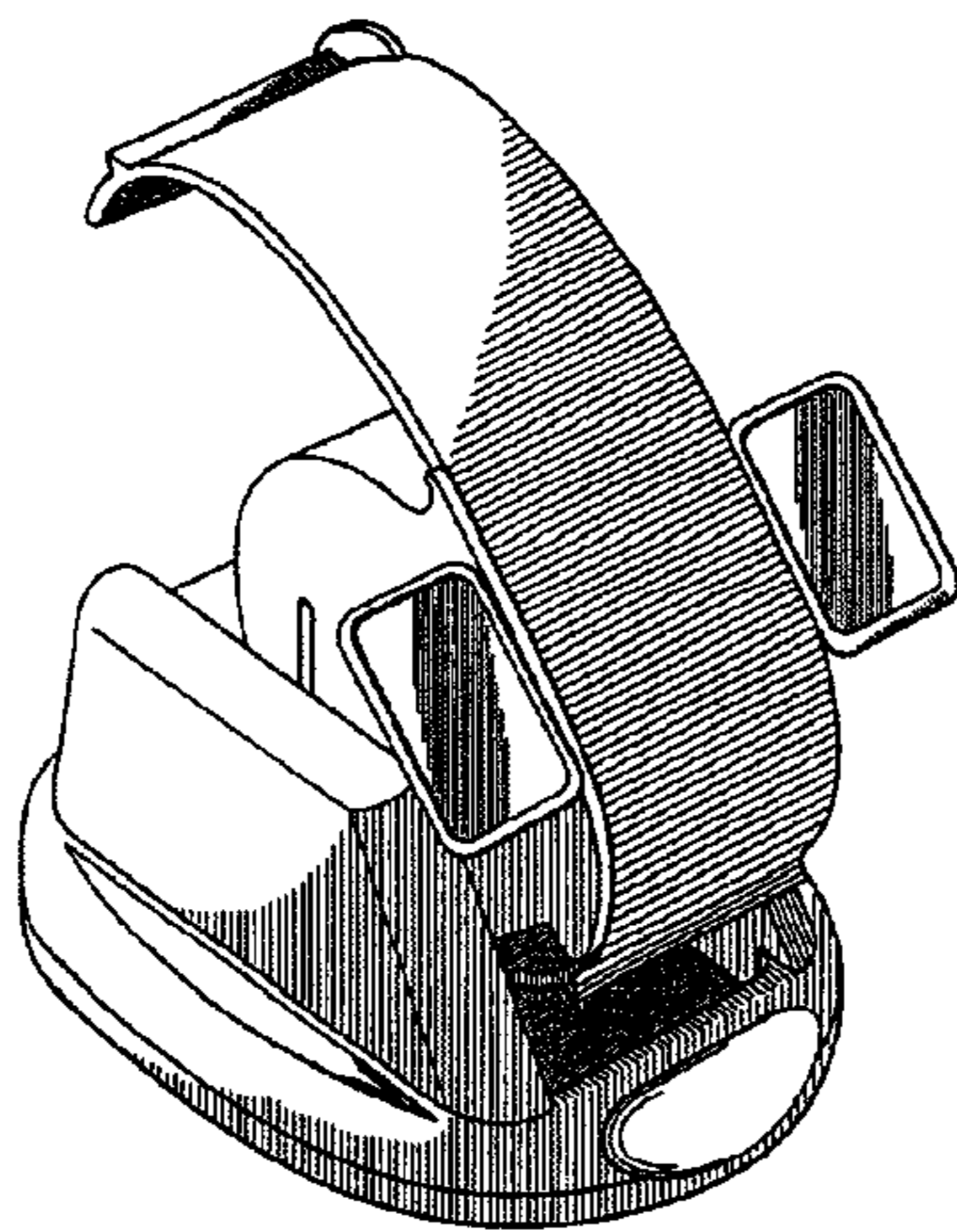
(57) **CLAIM**

The ornamental design for a display stand, as shown.

DESCRIPTION

FIG. 1 is a first perspective view of a display stand according to the invention;
FIG. 2 is a rear view thereof;
FIG. 3 is a front elevational view thereof;
FIG. 4 is a side elevational view thereof;
FIG. 5 is a side elevational view thereof; opposite that shown in FIG. 4
FIG. 6 is a second perspective view thereof;
FIG. 7 is a bottom view thereof; and,
FIG. 8 is a top view thereof.

1 Claim, 6 Drawing Sheets



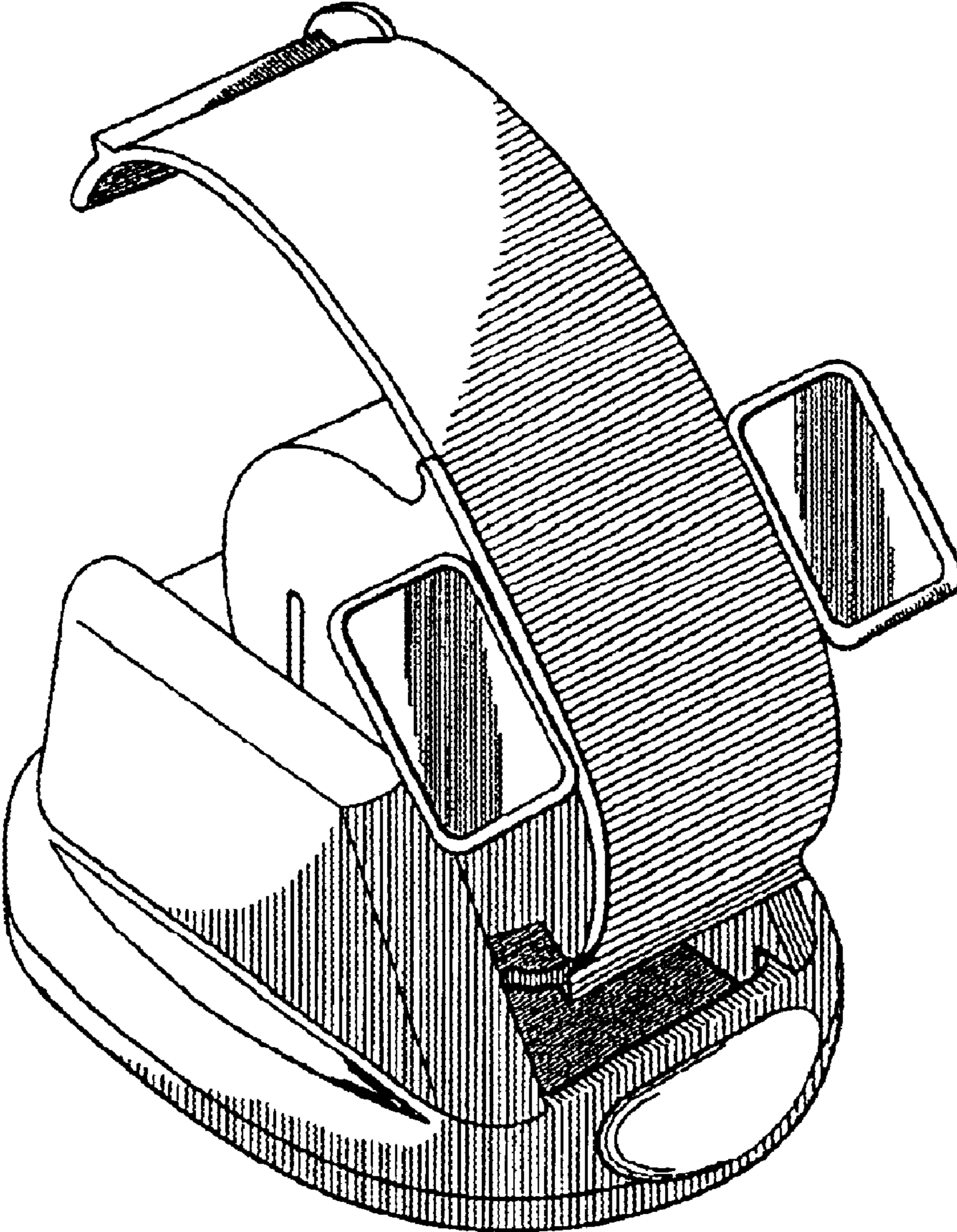


Fig. 1

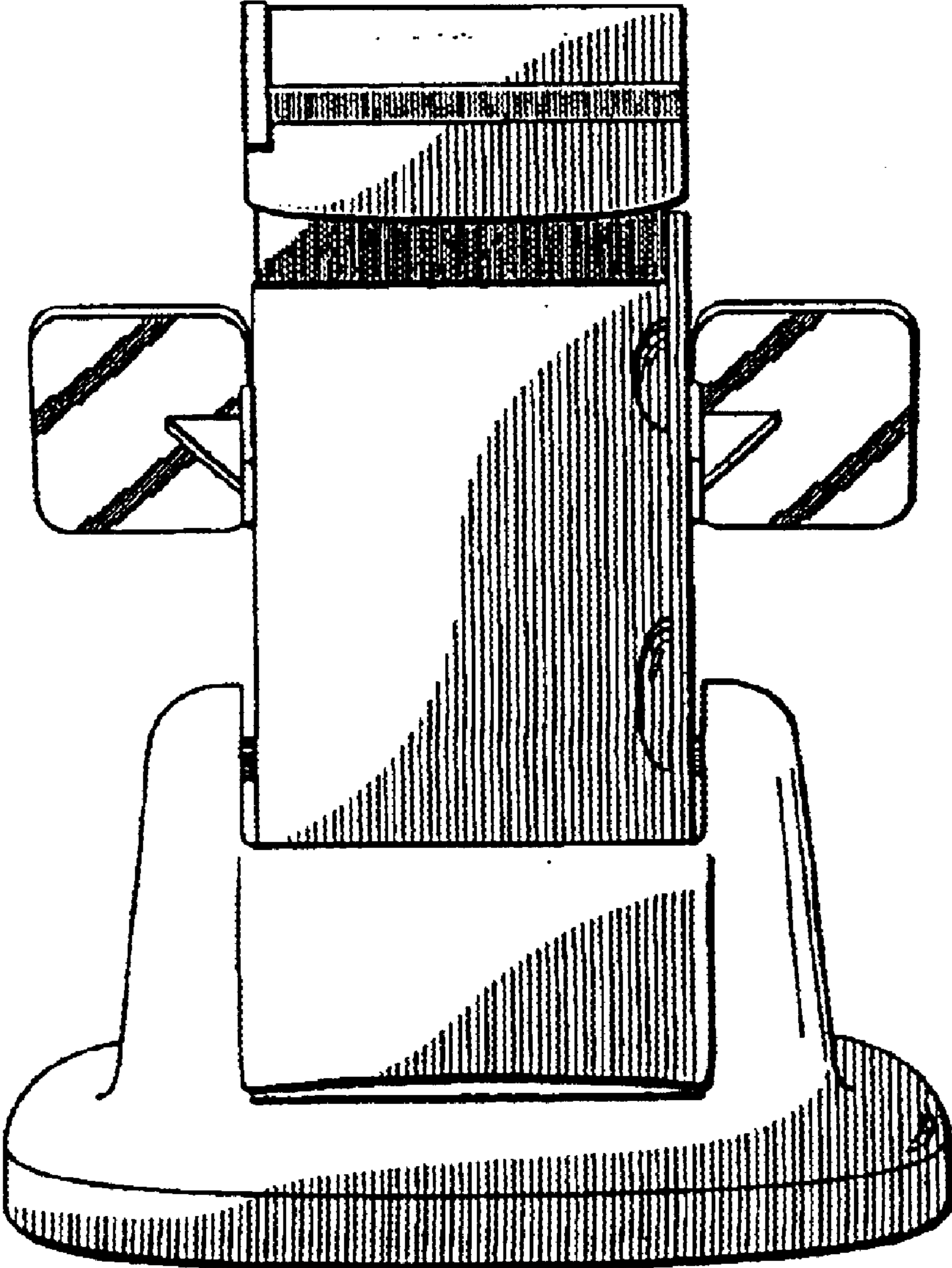


Fig. 2

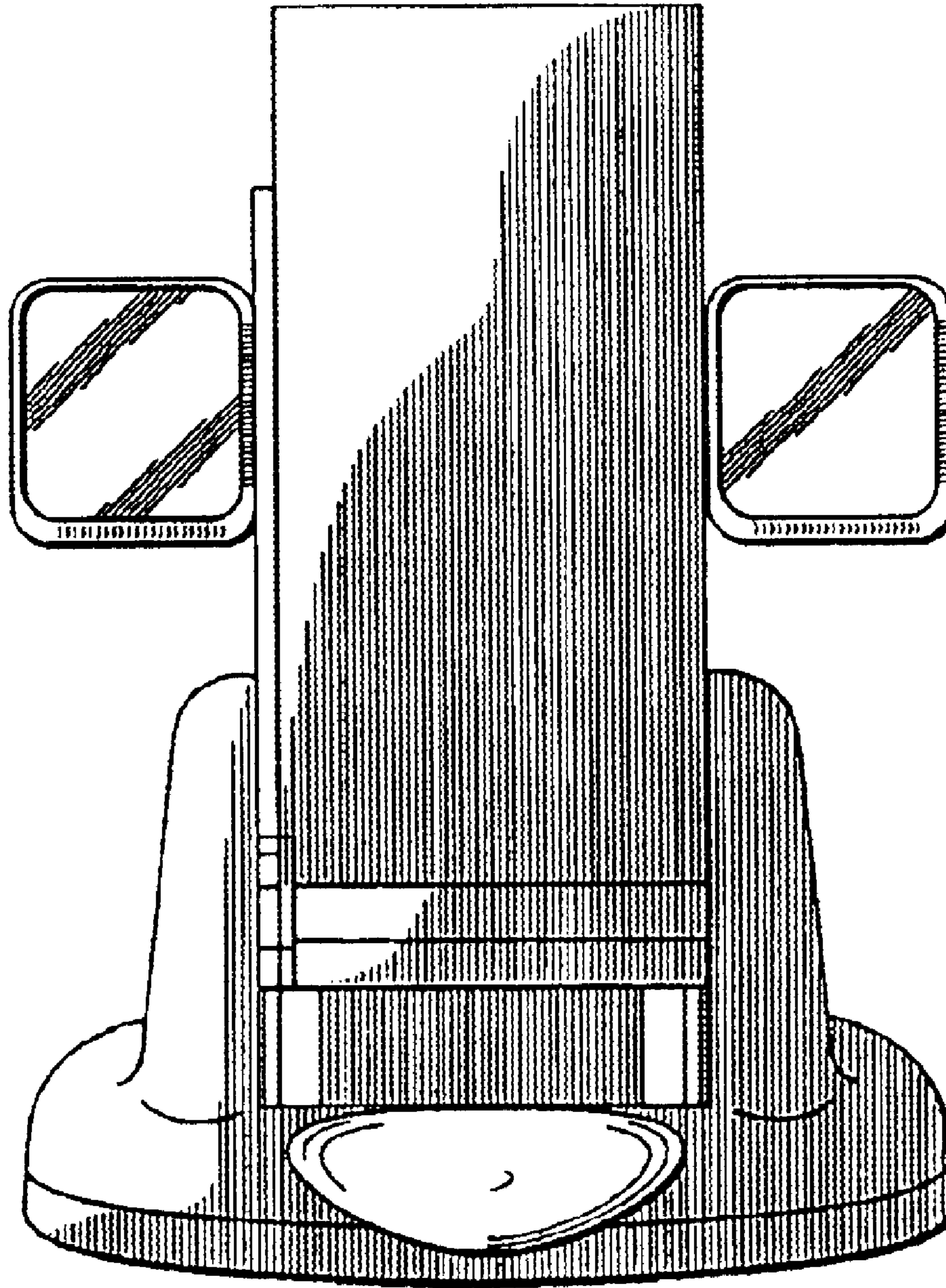


Fig. 3

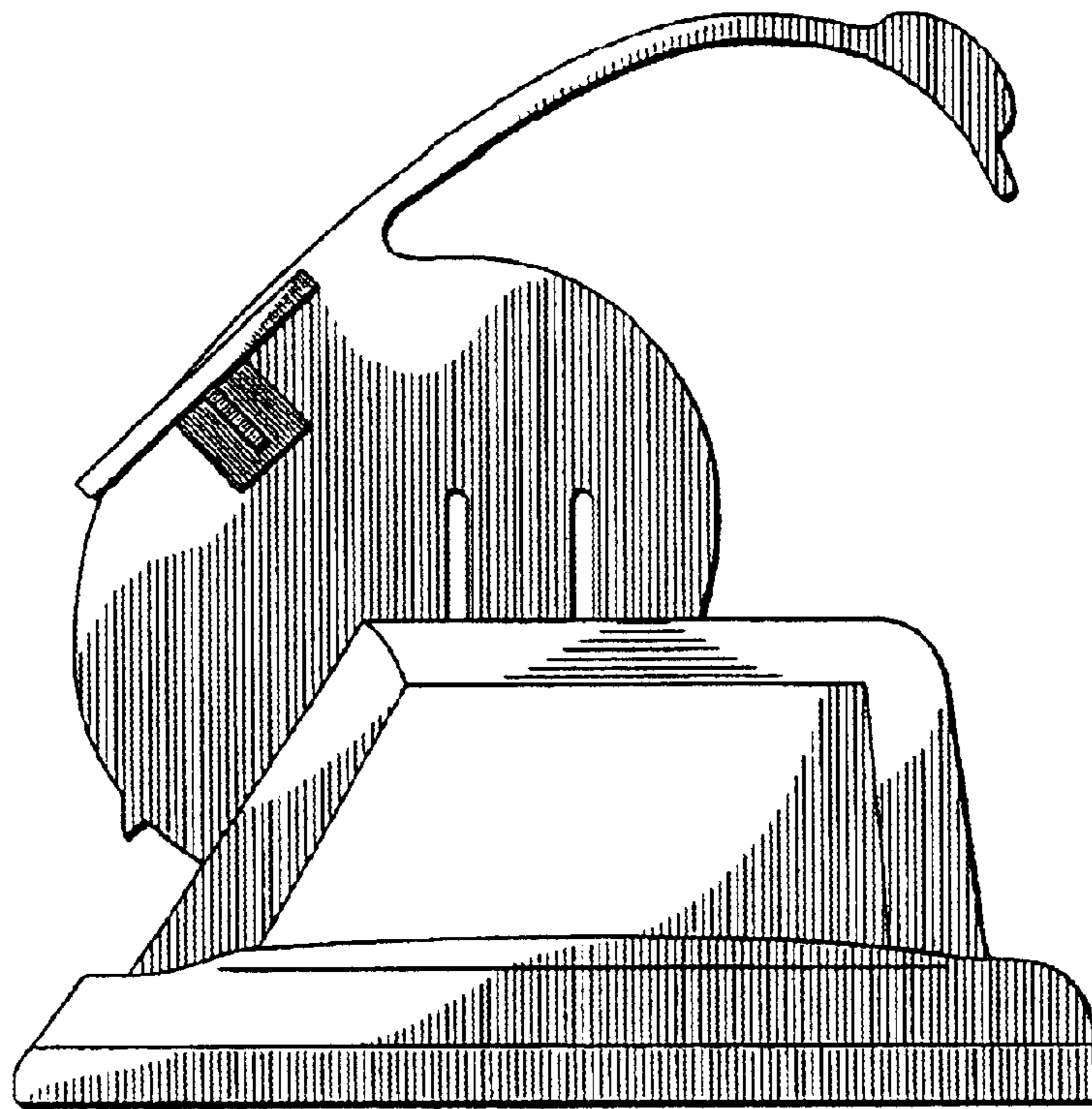


Fig. 4

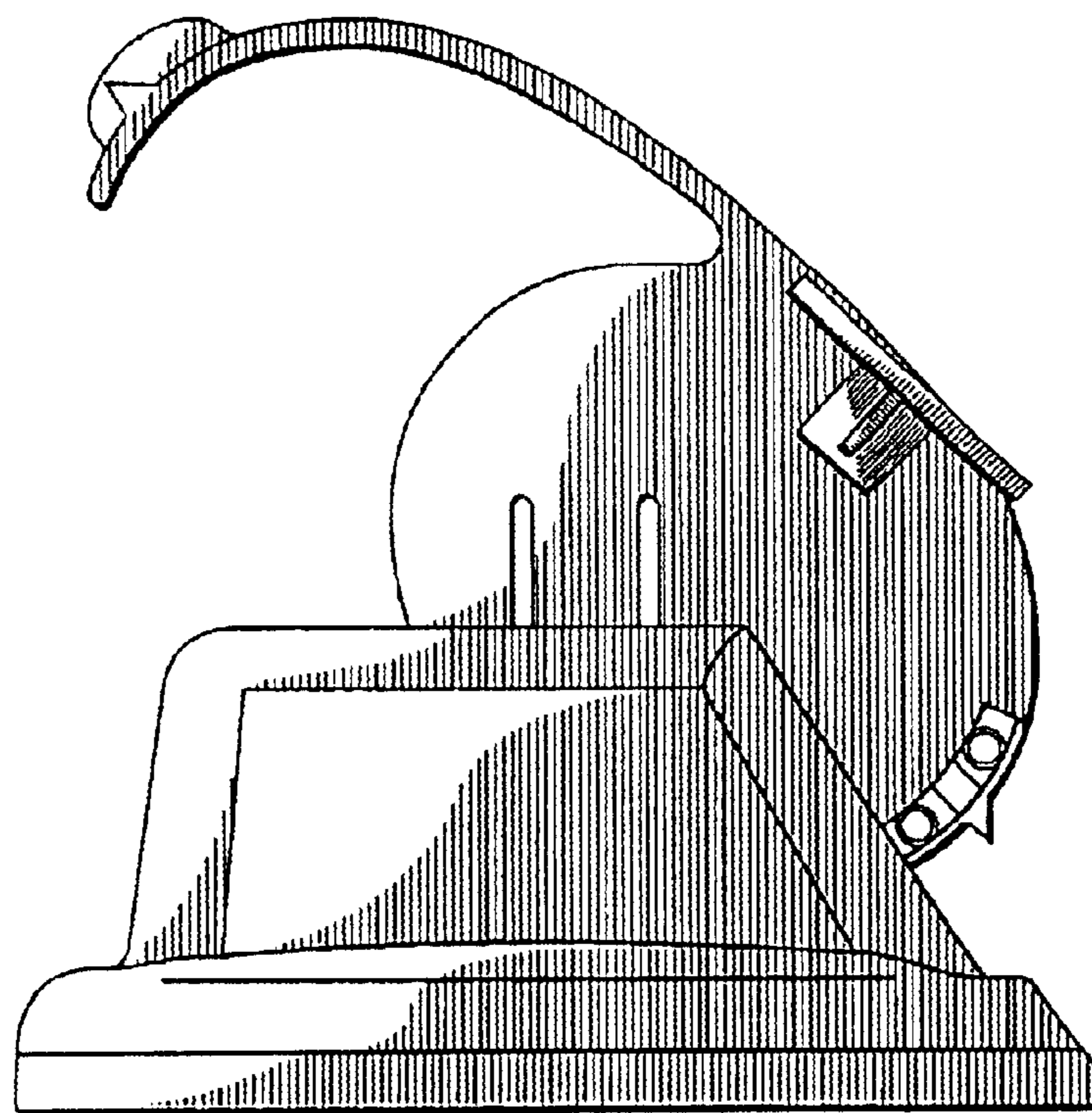


Fig. 5

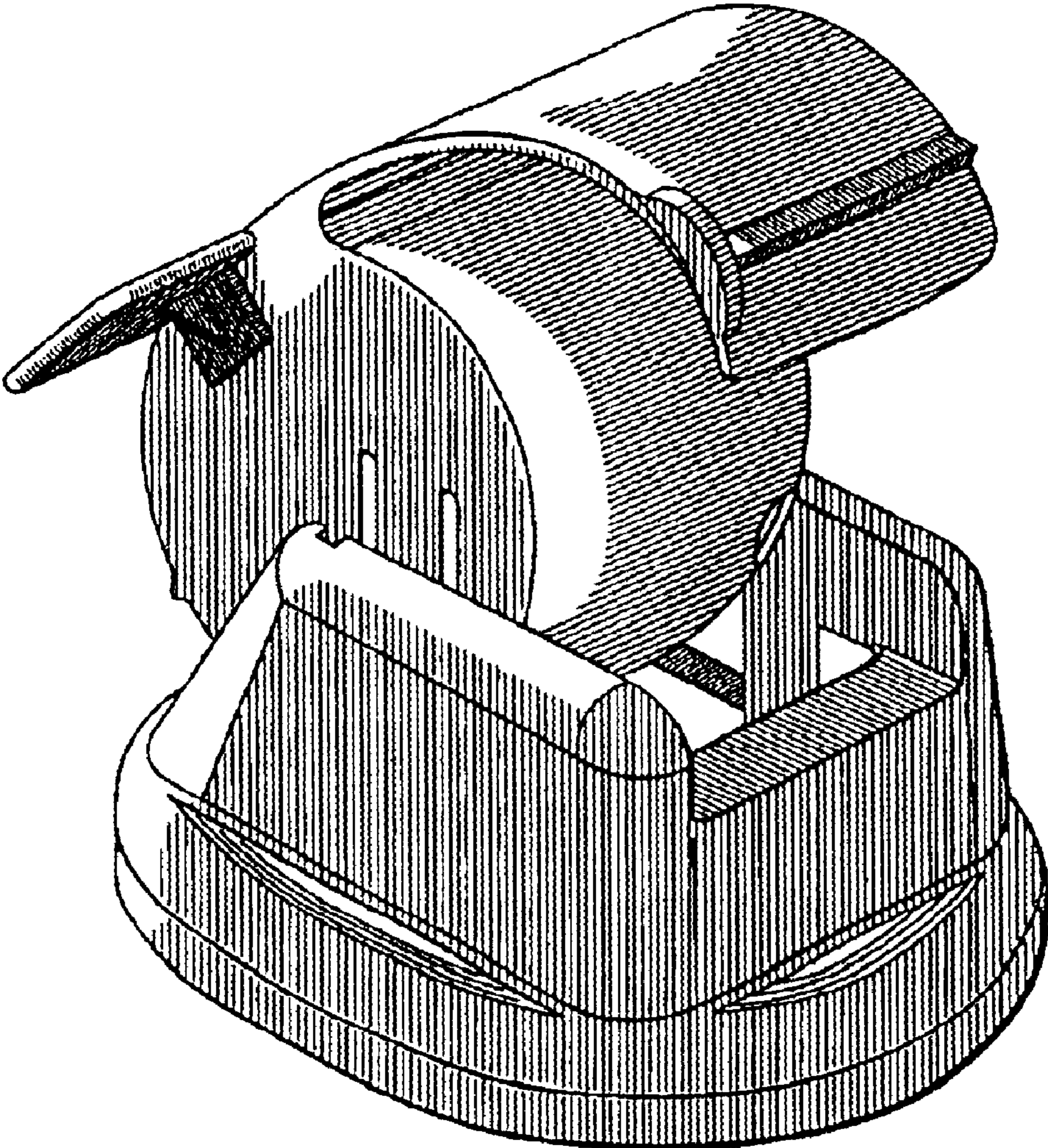


Fig. 6

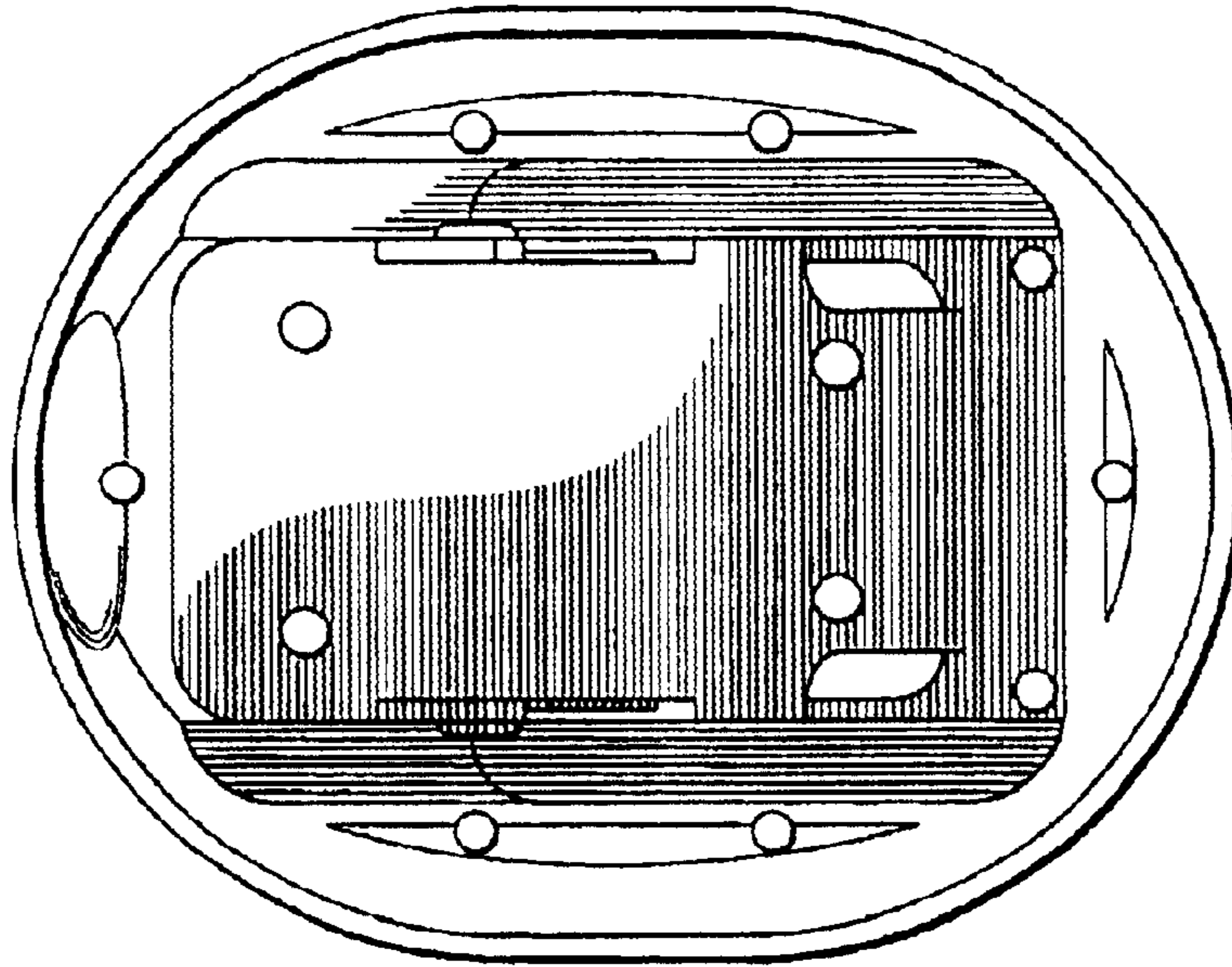


Fig. 7

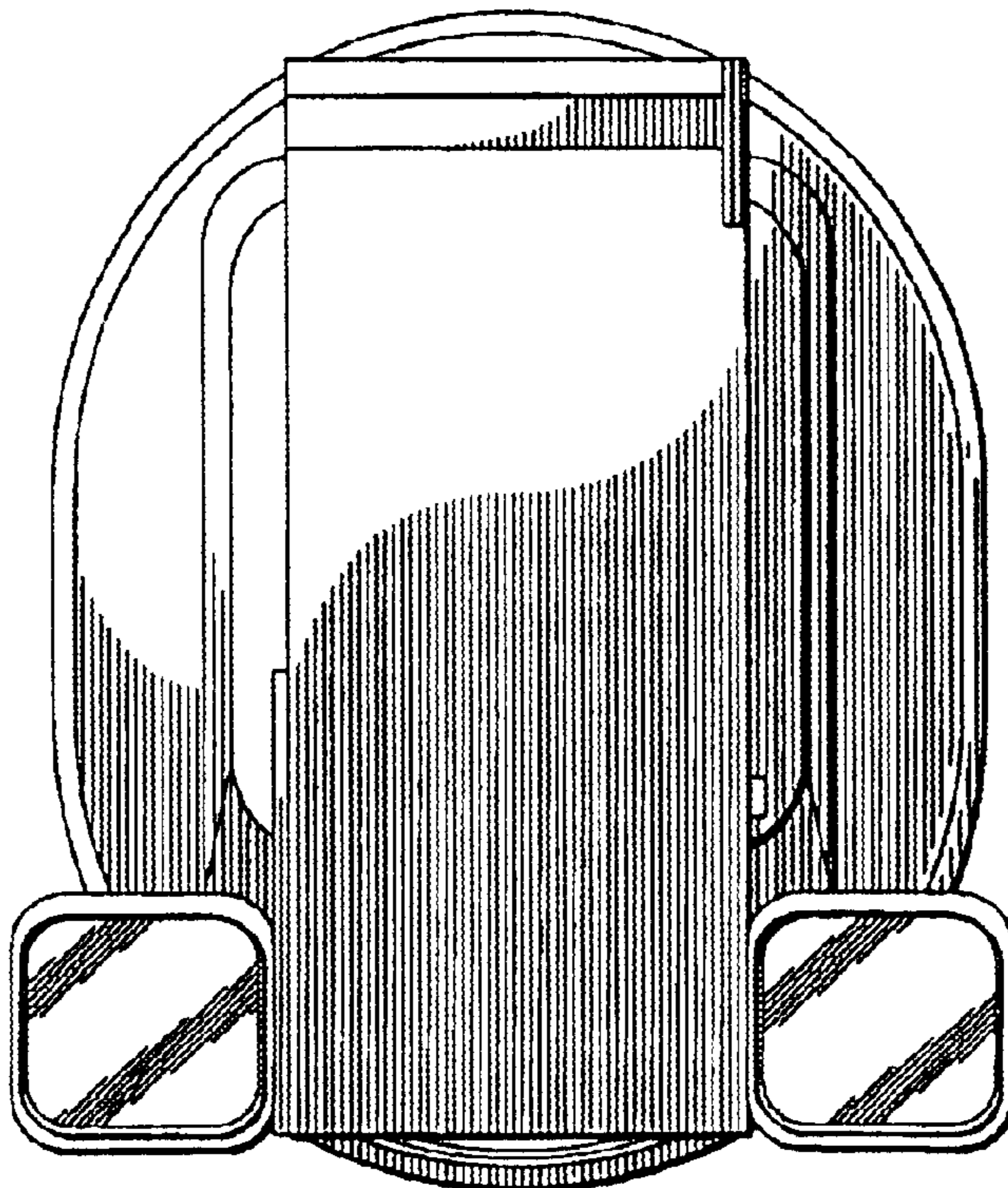


Fig. 8