



US00D502335S

(12) **United States Design Patent**  
**O'Hare**

(10) **Patent No.:** **US D502,335 S**

(45) **Date of Patent:** **\*\* Mar. 1, 2005**

(54) **TABLE**

(75) **Inventor:** **Timothy M. O'Hare**, Oak Ridge, NC (US)

(73) **Assignee:** **Bernhardt, L.L.C.**, Lenoir, NC (US)

(\*\*) **Term:** **14 Years**

(21) **Appl. No.:** **29/200,561**

(22) **Filed:** **Mar. 1, 2004**

(51) **LOC (7) Cl.** ..... **06-06**

(52) **U.S. Cl.** ..... **D6/431; D6/425; D6/480**

(58) **Field of Search** ..... D6/480-489, 495-499, D6/429-431, 511, 477, 422, 425, 428; 108/150, 153.1, 156, 157.1, 161, 65, 69, 77, 79, 83, 86; 248/188, 188.1, 188.8

(56) **References Cited**

**U.S. PATENT DOCUMENTS**

D49,477 S	*	8/1916	Minch	.....	D6/484
D110,401 S	*	7/1938	Salomon	.....	D6/428
D255,738 S	*	7/1980	Tome	.....	D6/430
D259,377 S	*	6/1981	Smith, Jr.	.....	D6/430
D370,571 S	*	6/1996	Newhouse et al.	.....	D6/429

\* cited by examiner

*Primary Examiner*—Janice E. Seeger

(74) *Attorney, Agent, or Firm*—MacCord Mason PLLC

(57) **CLAIM**

The ornamental design for a table, as shown and described.

**DESCRIPTION**

FIG. 1 is a perspective view of a table showing my new design with the right extension in a lowered position;

FIG. 2 is a perspective view of a table showing both extensions in a lowered position;

FIG. 3 is a perspective view of a table showing both extensions in an extended position;

FIG. 4 is a front view showing the right extension in a lowered position;

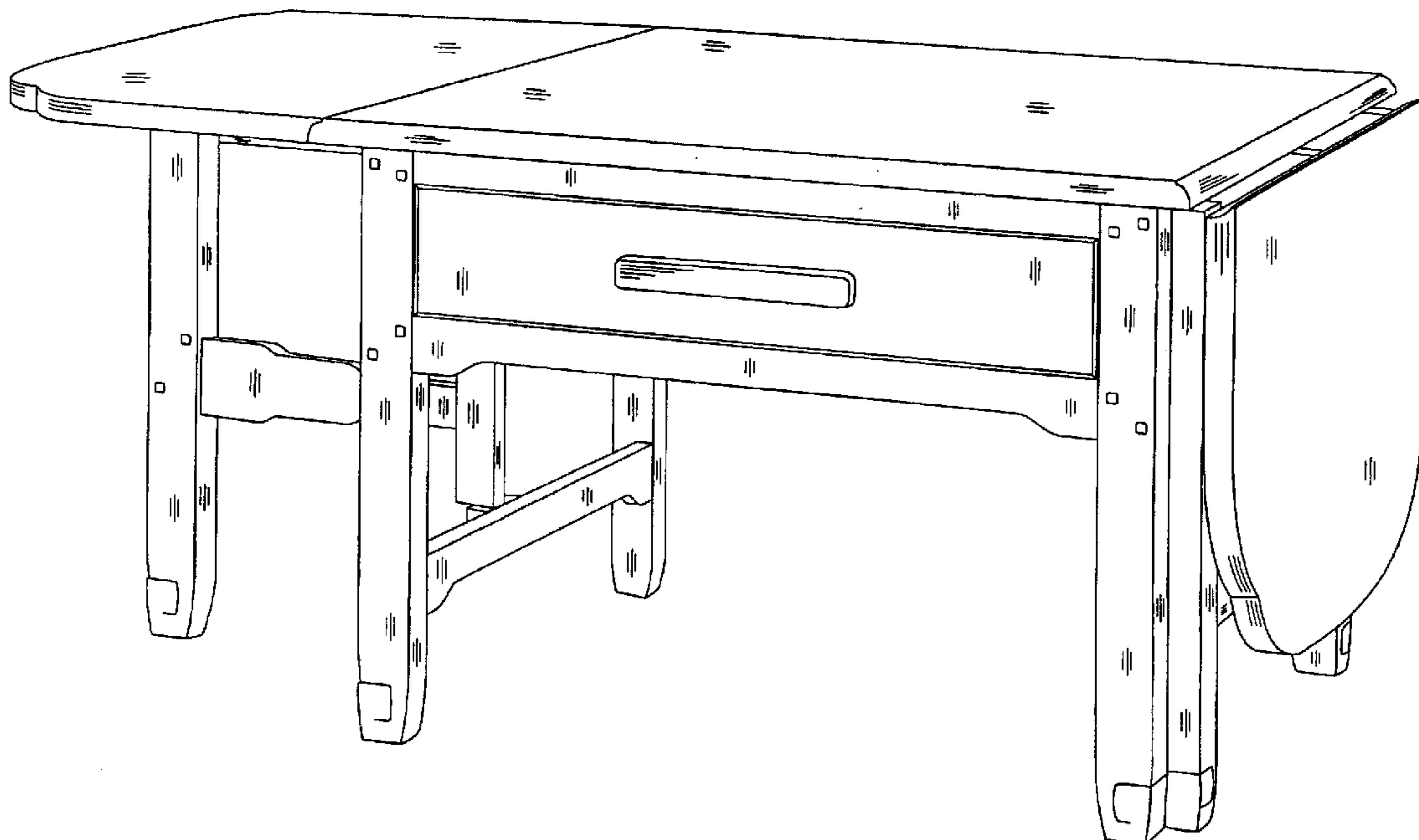
FIG. 5 is an end view showing the extension in an extended position, the opposite end being a mirror image when the opposite extension is in a extended position;

FIG. 6 is an end view showing the extension in a lowered position, the opposite end being a mirror image when the opposite extension is in a lowered position;

FIG. 7 is a top view showing both extensions in an extended position; and,

FIG. 8 is a top view showing the right extension in a lowered position.

**1 Claim, 8 Drawing Sheets**



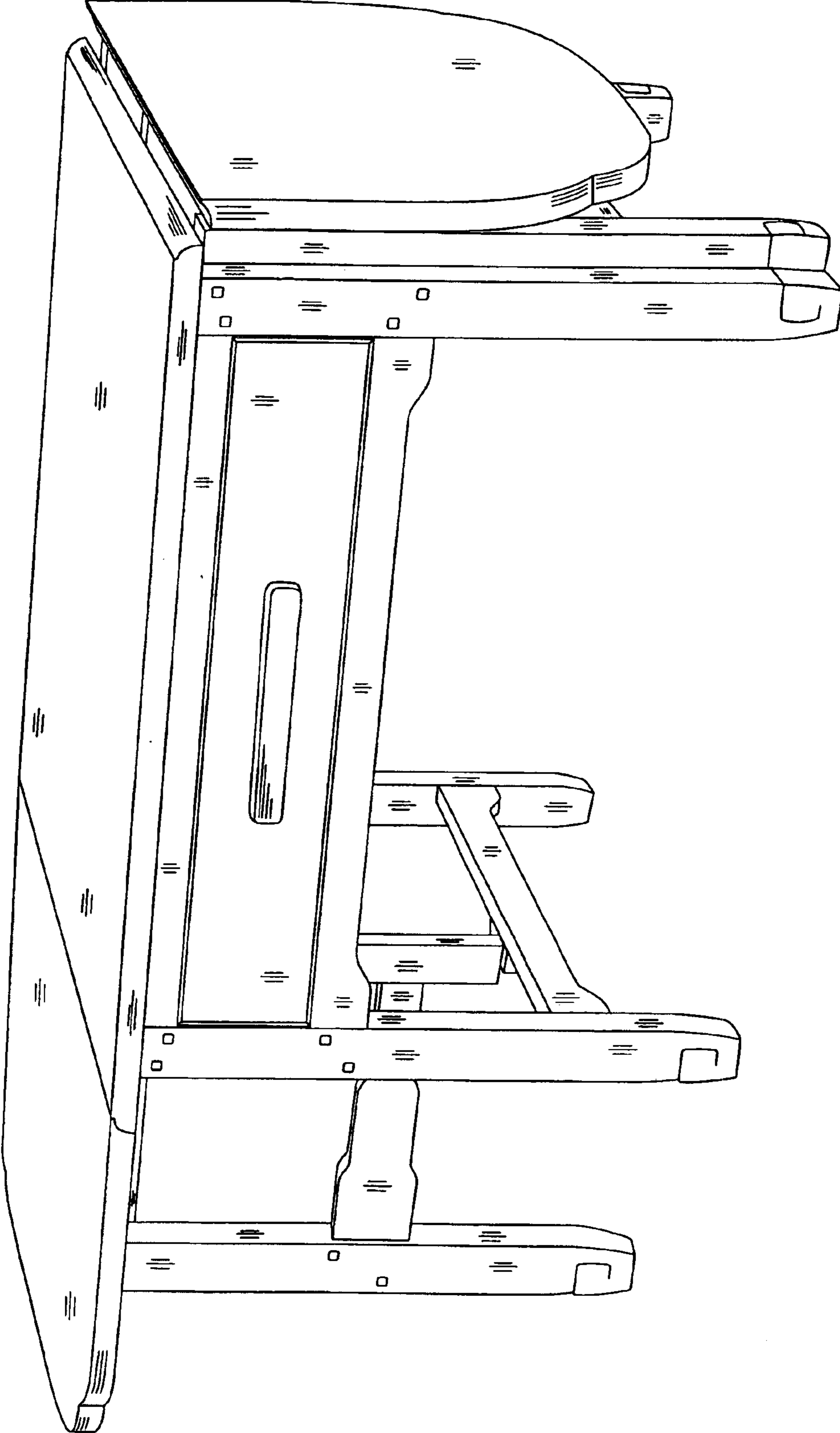


FIG. 1

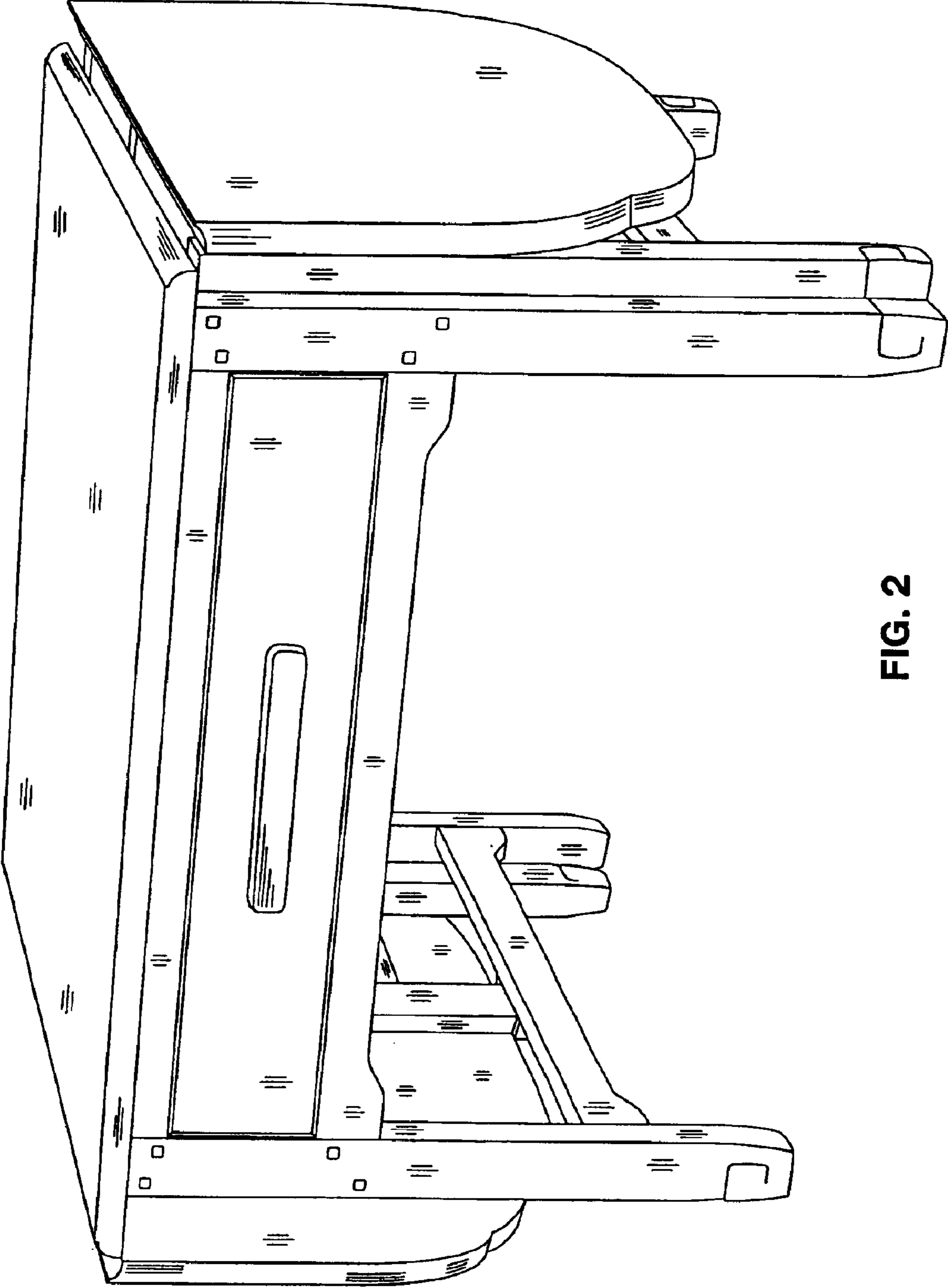


FIG. 2

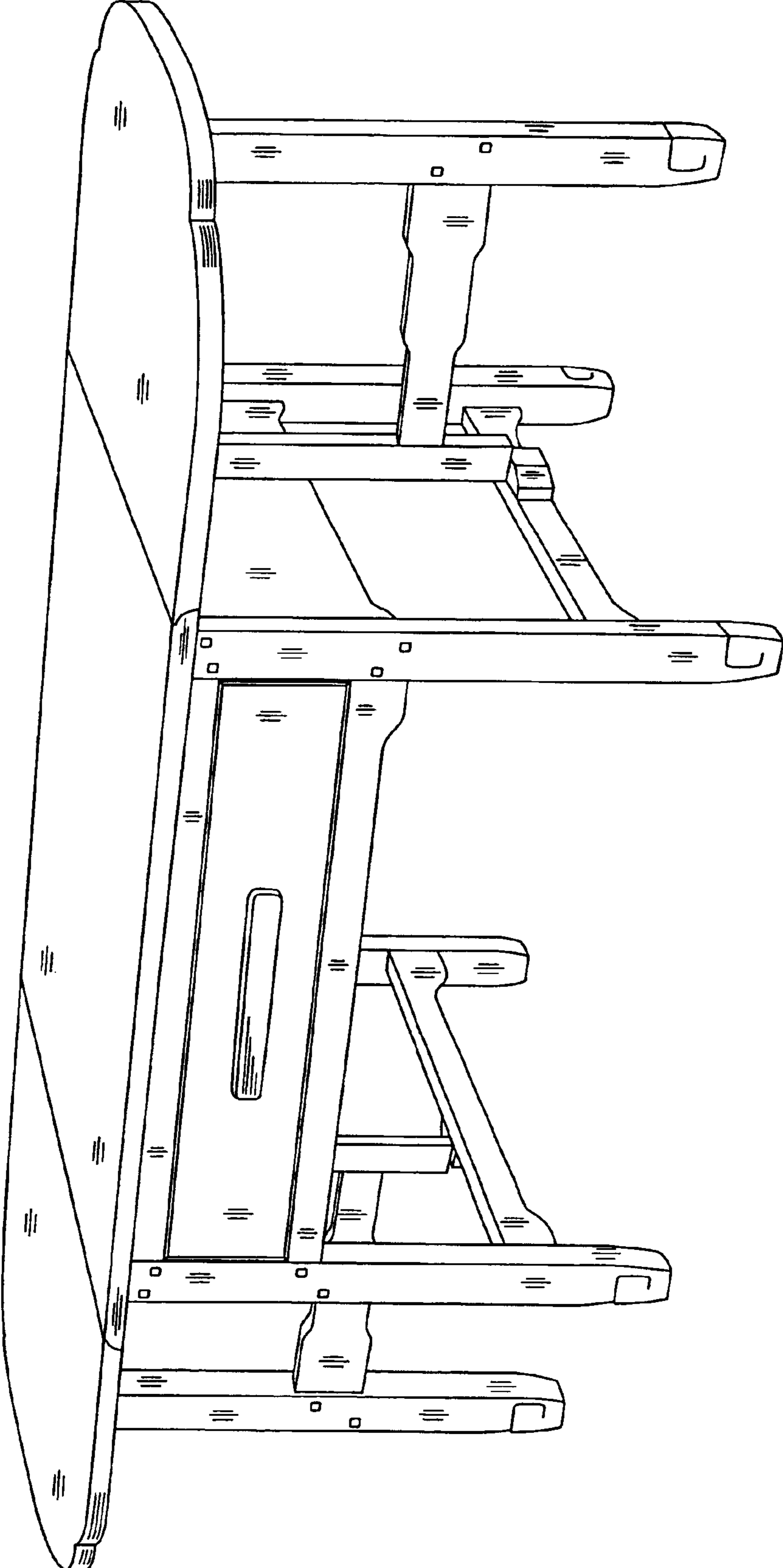


FIG. 3

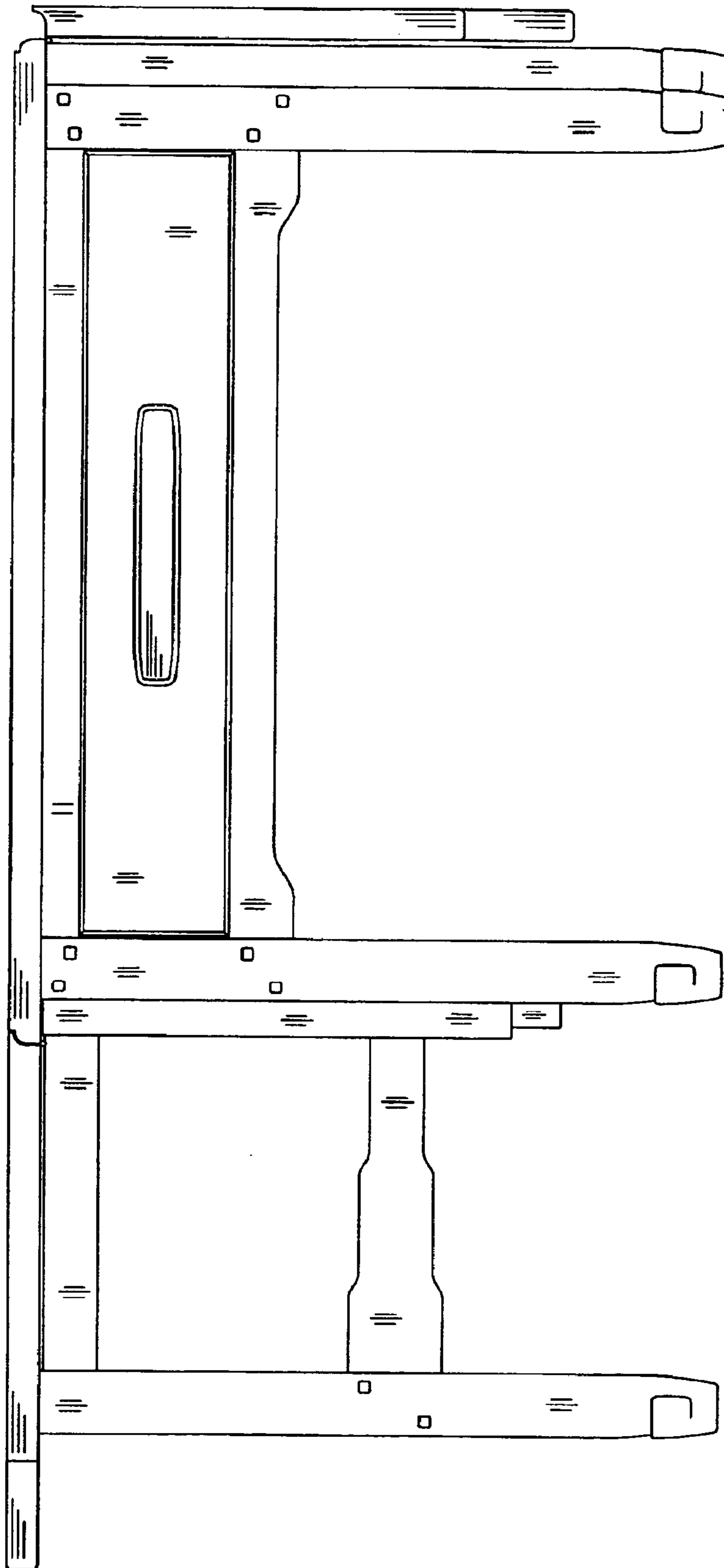


FIG. 4

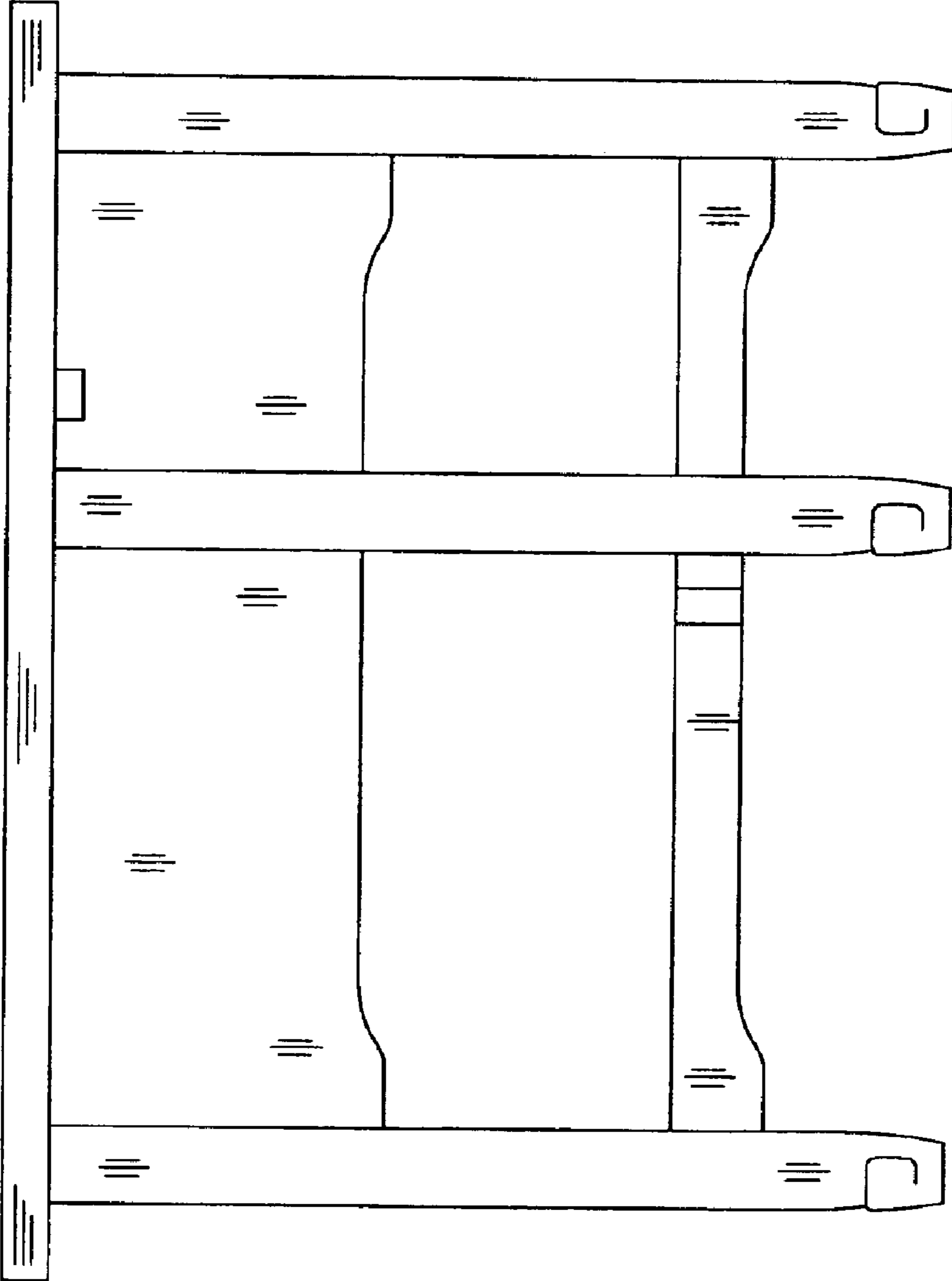


FIG. 5

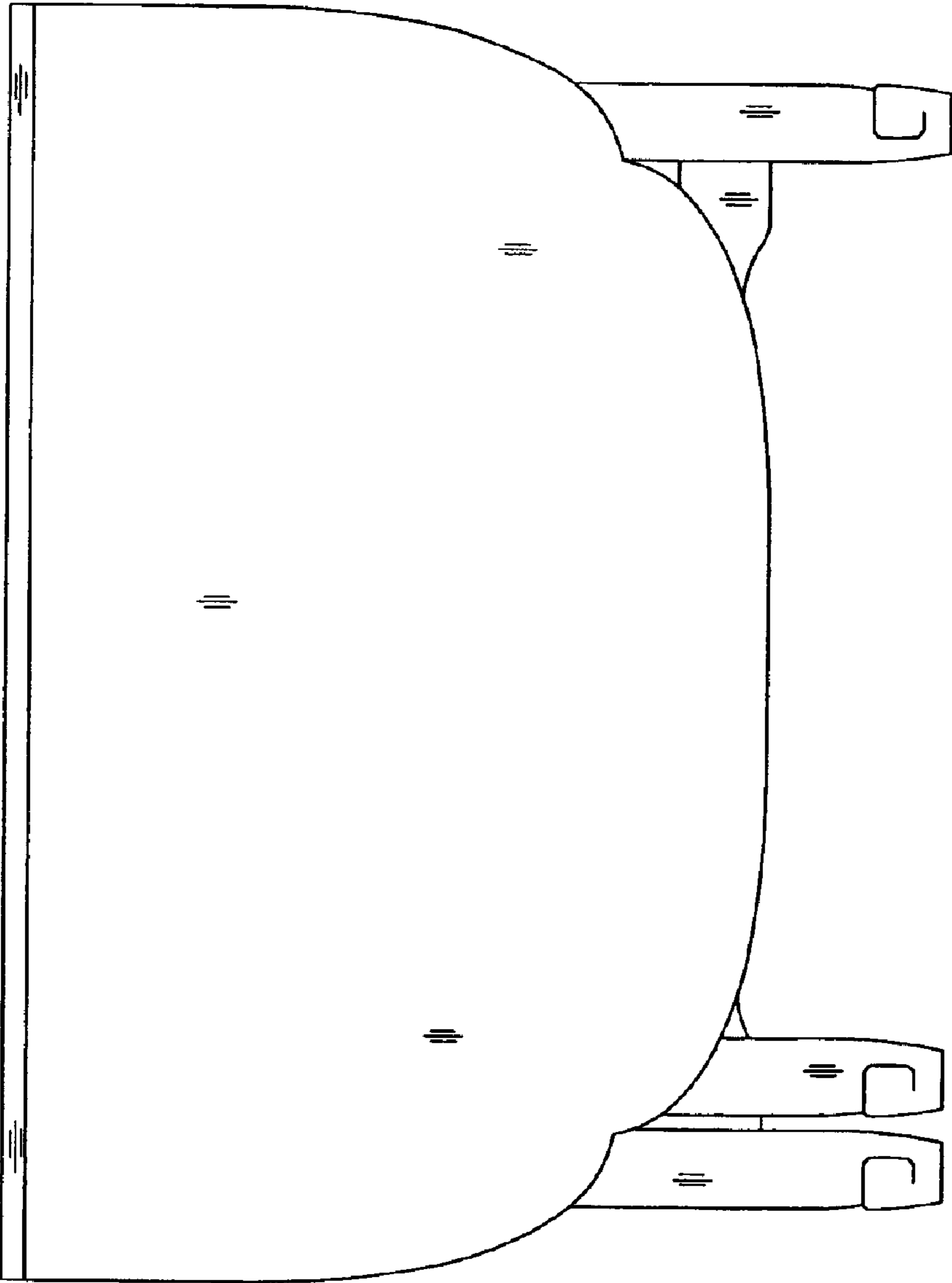


FIG. 6

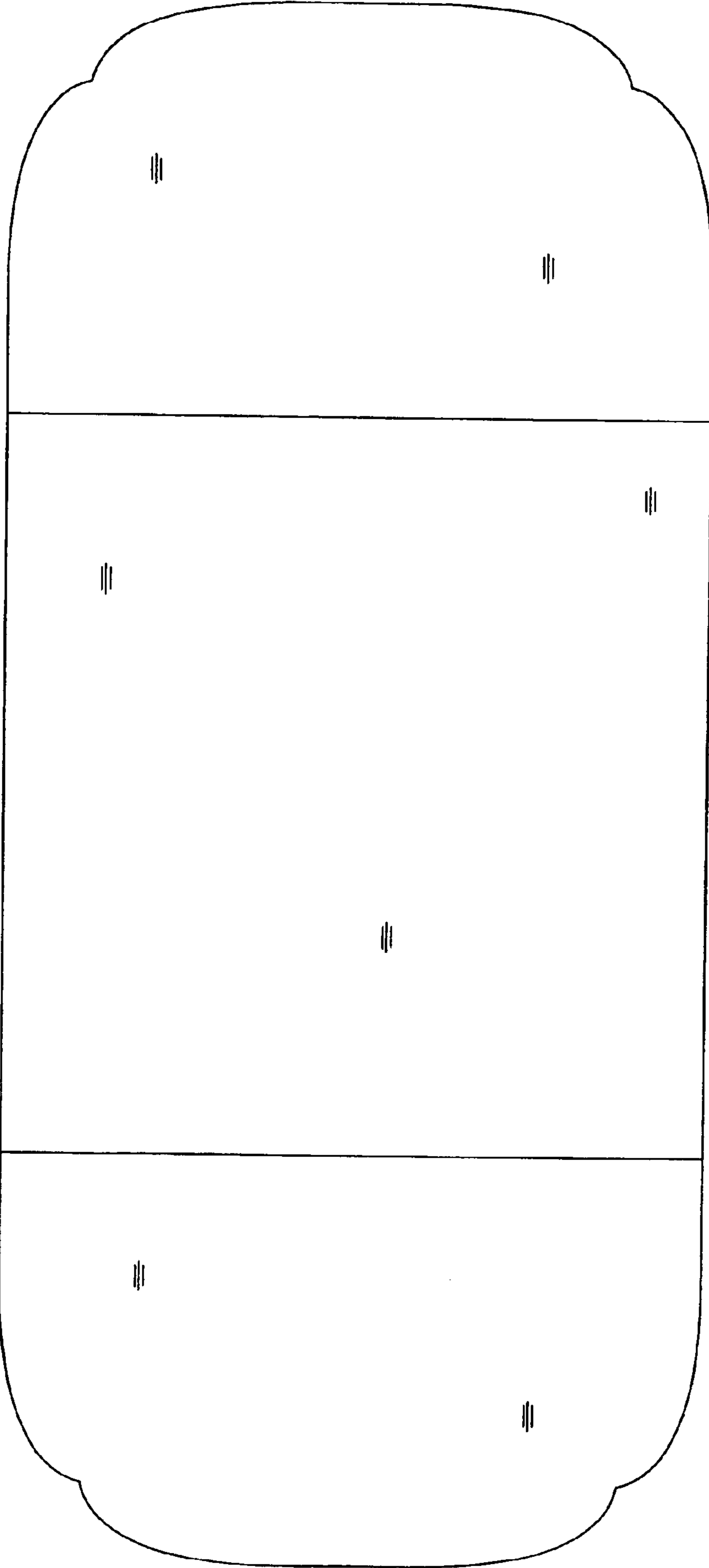


FIG. 7



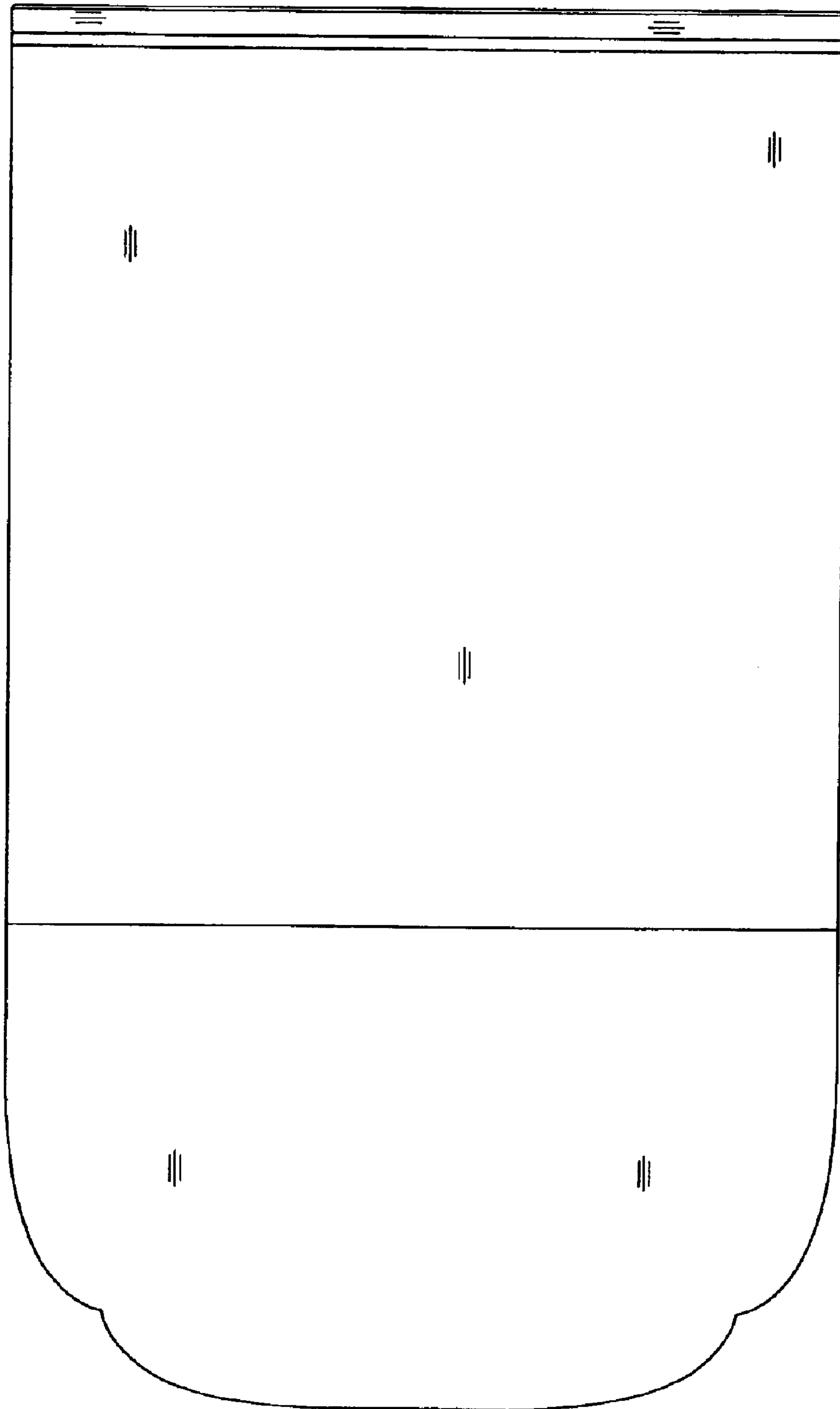


FIG. 8