

US00D502333S

(12) **United States Design Patent**
Tseng

(10) **Patent No.:** **US D502,333 S**

(45) **Date of Patent:** **** Mar. 1, 2005**

(54) **CHAIR**

(75) **Inventor:** **Chuen-Jong Tseng**, Chiayi Hsien (TW)

(73) **Assignee:** **Taiwan Shin Yeh Enterprise Co., Ltd.**,
Chiayi Hsien (TW)

(**) **Term:** **14 Years**

(21) **Appl. No.:** **29/201,834**

(22) **Filed:** **Mar. 22, 2004**

(51) **LOC (7) Cl.** **06-01**

(52) **U.S. Cl.** **D6/376; D6/370; D6/379**

(58) **Field of Search** **D6/334, 335, 370,**
D6/376, 379, 380, 500-502; 297/445.1,
446.1, 452.63

(56) **References Cited**

U.S. PATENT DOCUMENTS

D420,823 S * 2/2000 Tyler D6/370
D437,136 S * 2/2001 Tseng D6/370

D448,194 S * 9/2001 Caldwell D6/379 X
D455,280 S * 4/2002 Tseng D6/379
D491,381 S * 6/2004 Tseng D6/376
D495,156 S * 8/2004 Gower D6/370

* cited by examiner

Primary Examiner—Gary D. Watson

(74) *Attorney, Agent, or Firm*—Ladas & Parry LLP

(57) **CLAIM**

The ornamental design for chair, as shown and described.

DESCRIPTION

FIG. 1 is a perspective view of chair showing my new design;

FIG. 2 is a front elevational view thereof;

FIG. 3 is a rear elevational view thereof;

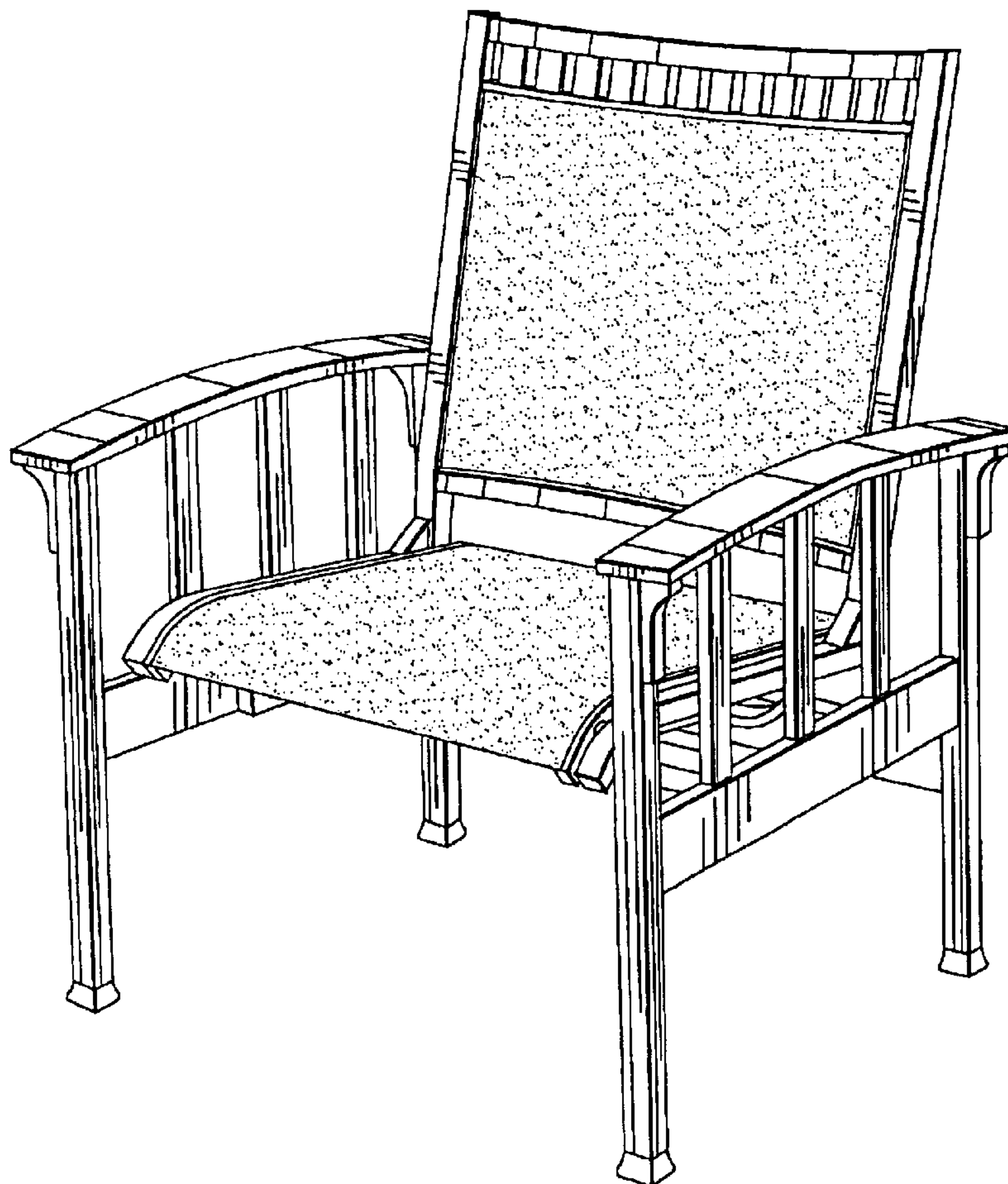
FIG. 4 is a left side elevational view thereof;

FIG. 5 is a right side elevational view thereof;

FIG. 6 is a top plan view thereof; and,

FIG. 7 is a bottom plan view thereof.

1 Claim, 4 Drawing Sheets



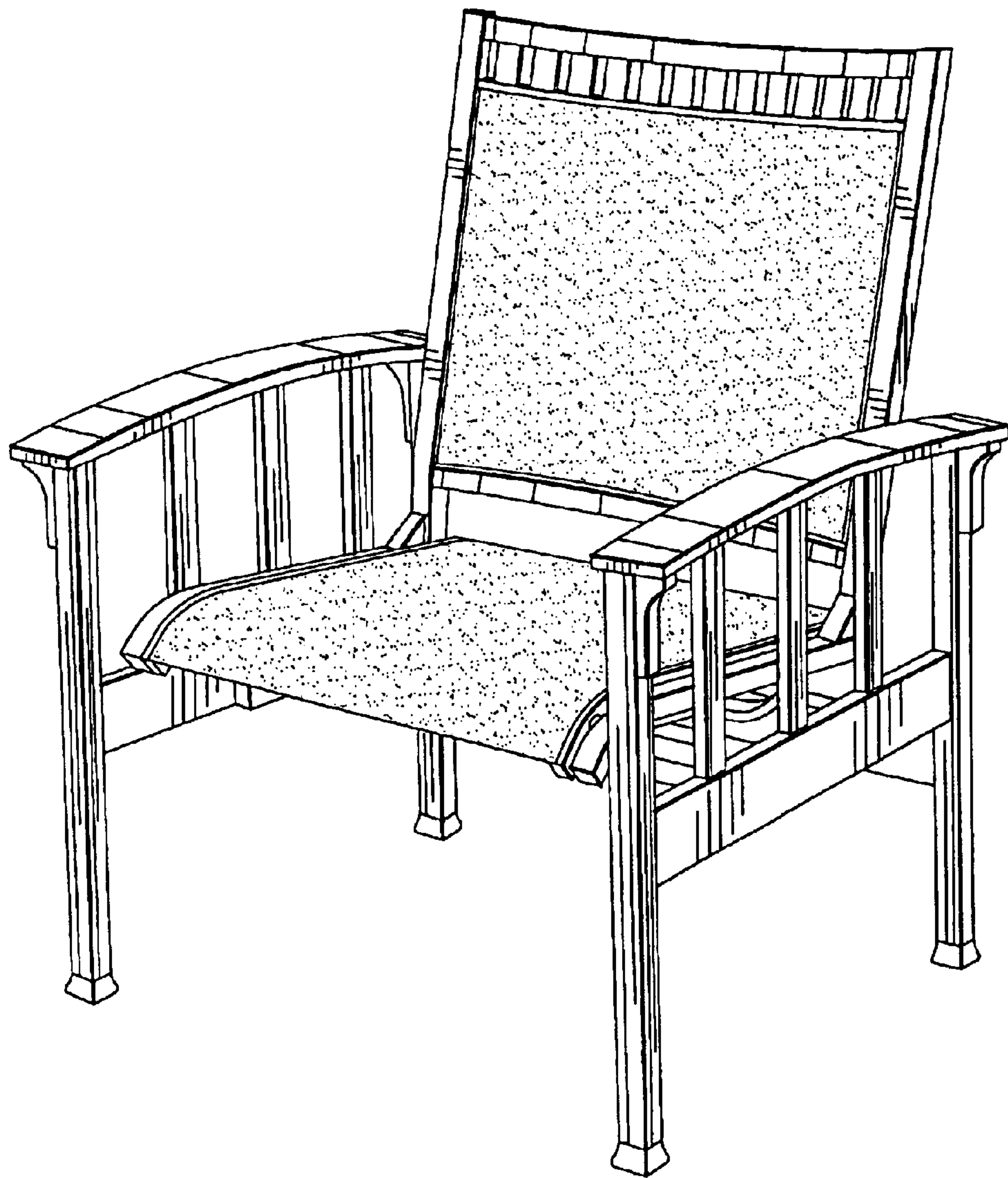


FIG. 1

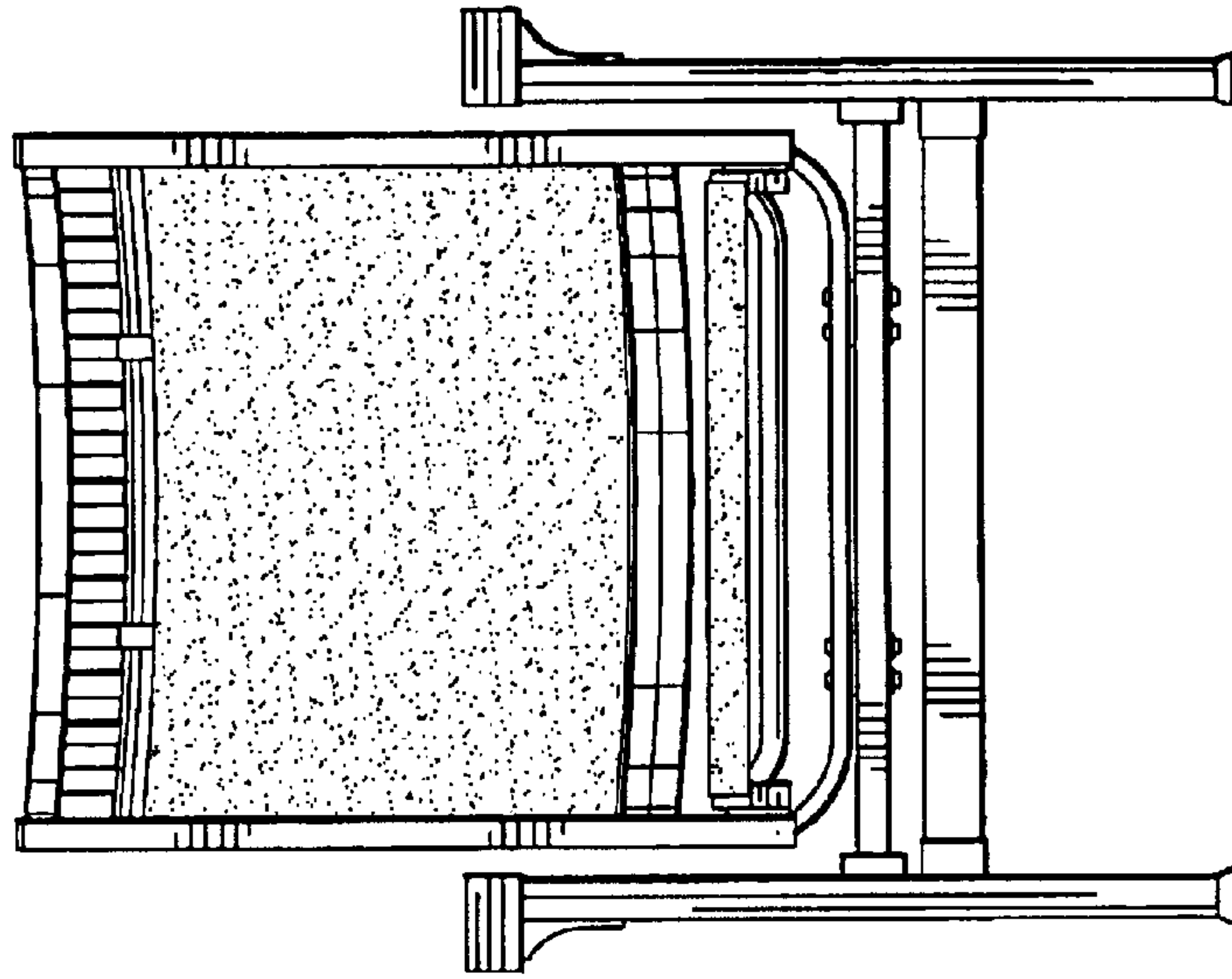


FIG. 3

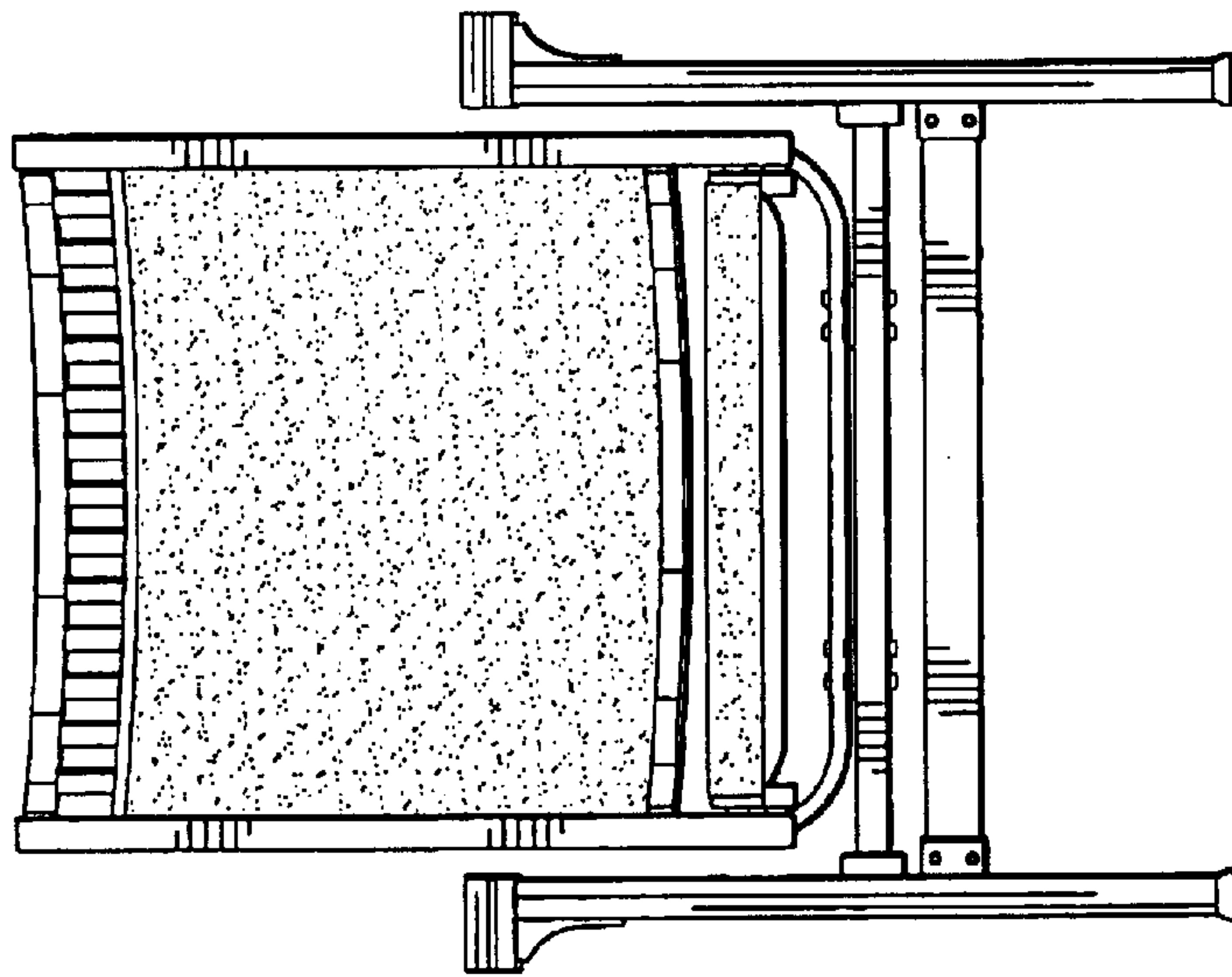


FIG. 2

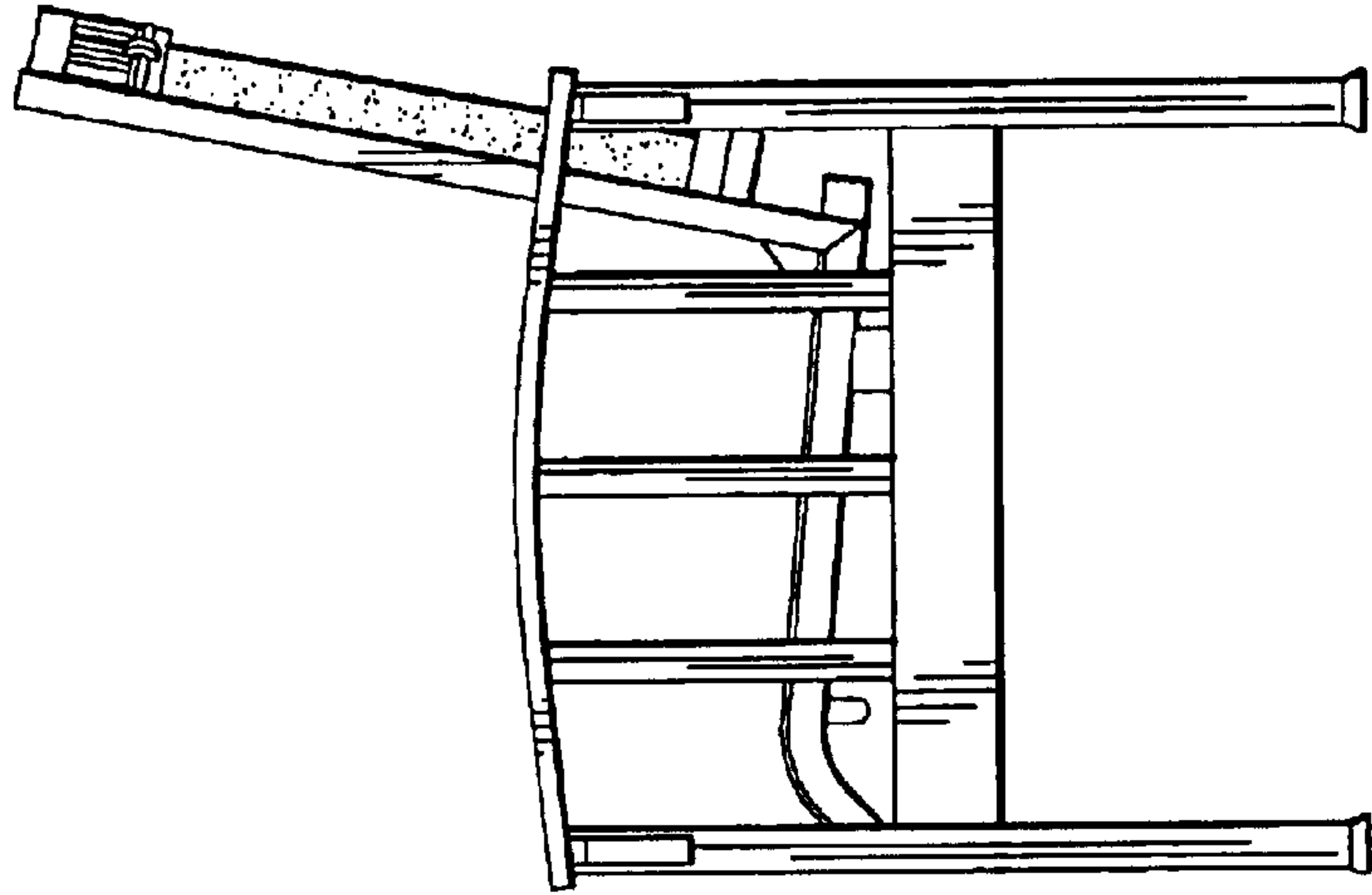


FIG. 5

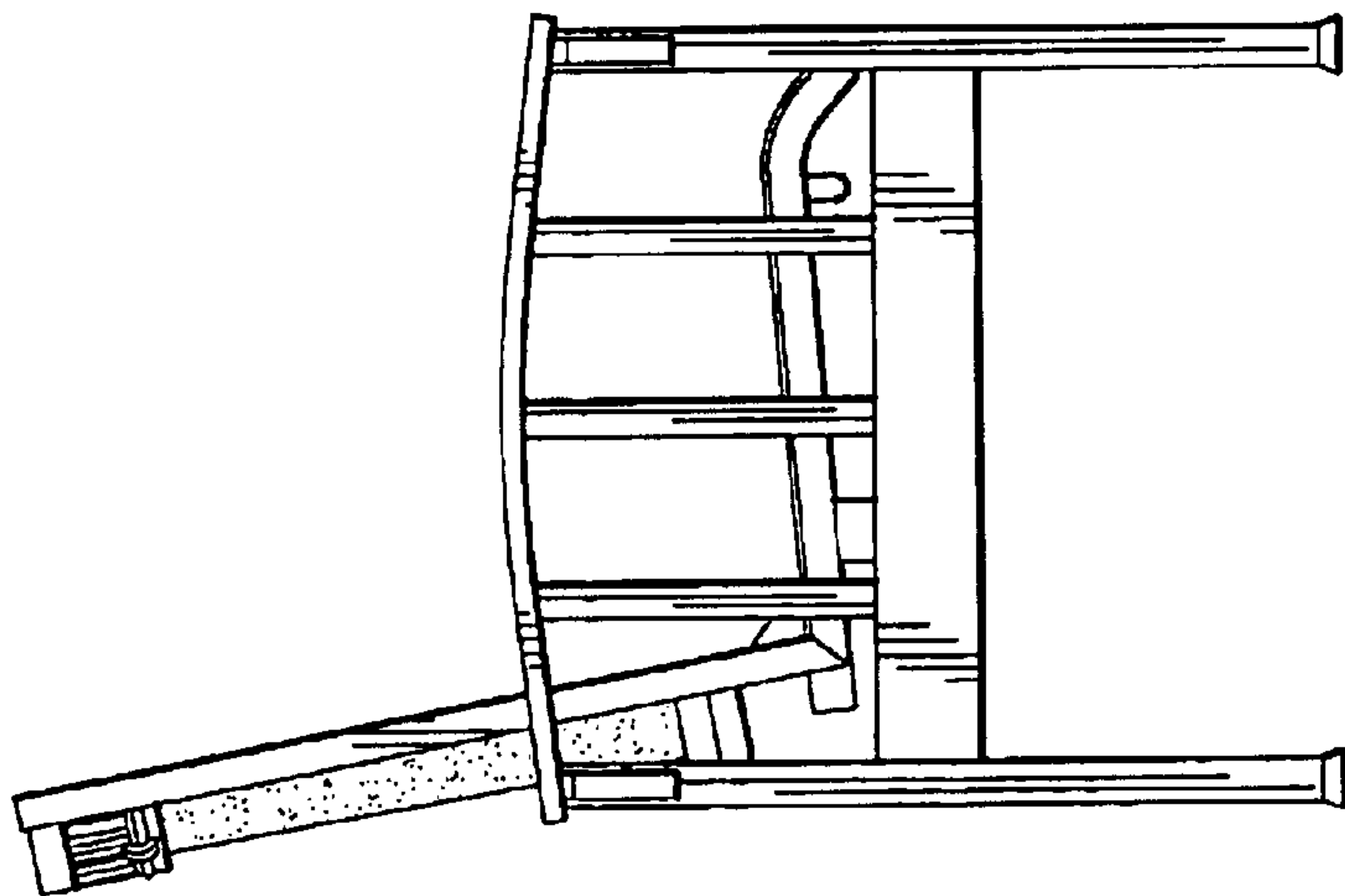


FIG. 4

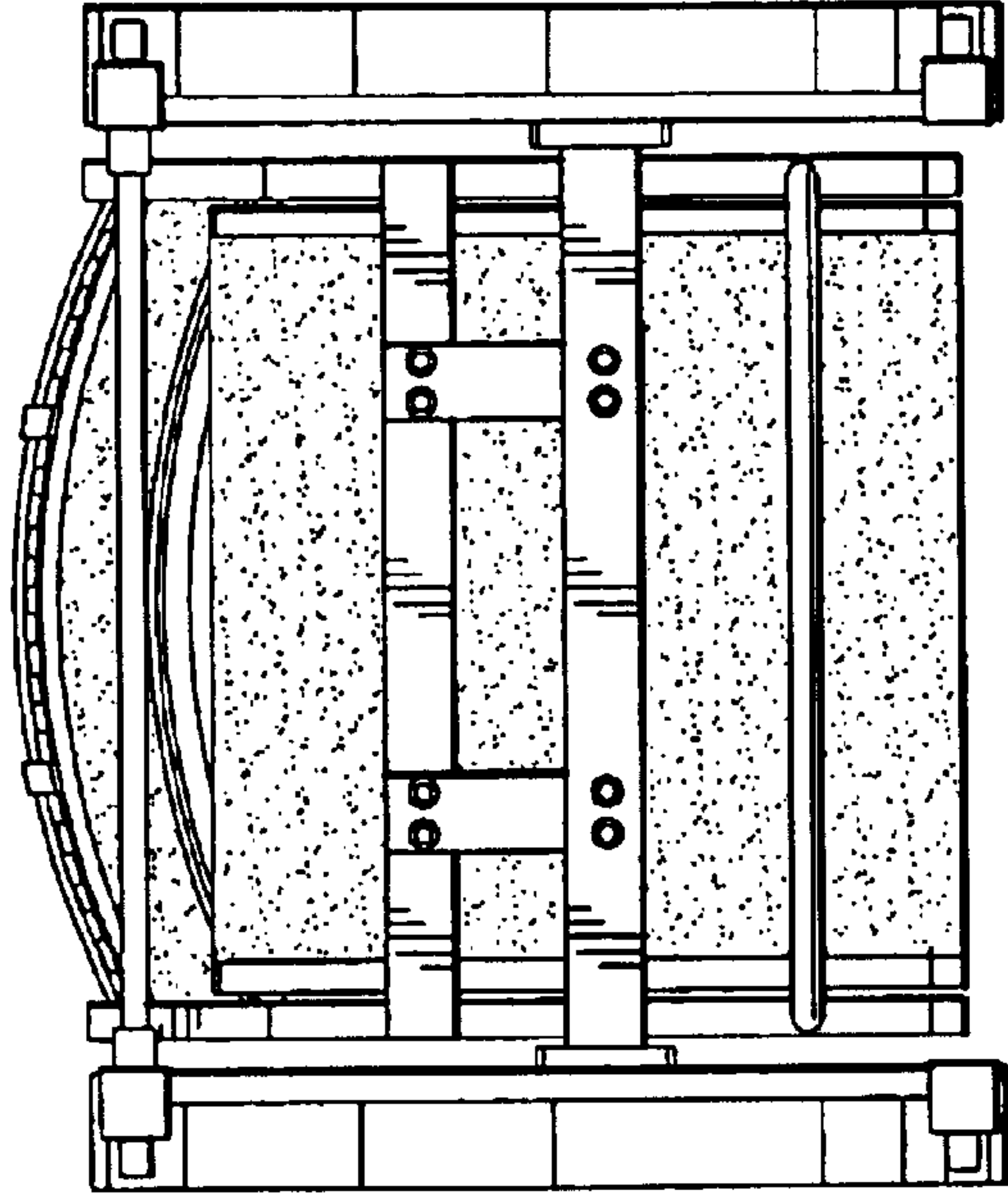


FIG. 7

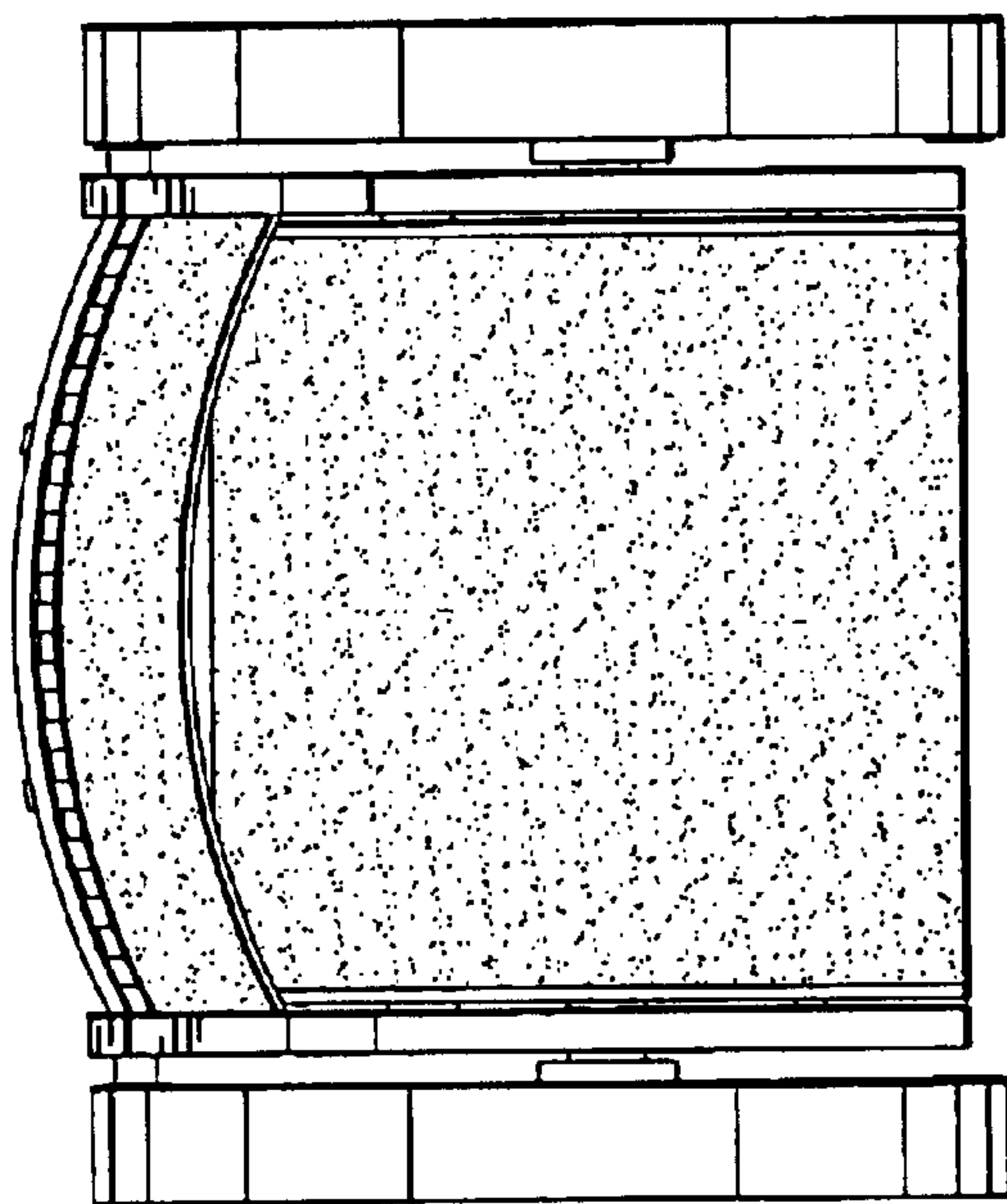


FIG. 6