

US00D502332S

(12) **United States Design Patent** (10) **Patent No.:** **US D502,332 S**
Pluer (45) **Date of Patent:** **** Mar. 1, 2005**

- (54) **CHAIR**
- (75) Inventor: **Robert A. Pluer**, Nokomis, FL (US)
- (73) Assignee: **SunCoast Aluminum Furniture, Inc.**,
Ft. Myers, FL (US)
- (**) Term: **14 Years**
- (21) Appl. No.: **29/185,281**
- (22) Filed: **Jun. 25, 2003**
- (51) **LOC (7) Cl.** **06-01**
- (52) **U.S. Cl.** **D6/376; D6/379**
- (58) **Field of Search** **D6/334, 335, 369,**
D6/370, 374, 376, 379, 380, 500, 501,
502; 297/445.1, 446.1

- D429,424 S 8/2000 Vanderminden
D431,727 S 10/2000 Bell
D431,728 S 10/2000 Bell
D435,978 S 1/2001 Pluer
D438,397 S 3/2001 Pluer
D438,398 S 3/2001 Frinier
D440,065 S 4/2001 Goodman
D440,423 S 4/2001 Frinier
D442,383 S 5/2001 Bell
D442,384 S 5/2001 Gonsalves
D452,082 S 12/2001 Pluer
D465,347 S 11/2002 Bell
D465,670 S 11/2002 Bell
D482,541 S 11/2003 Pluer
D482,542 S 11/2003 Pluer
D482,886 S 12/2003 Varshney et al.

(56) **References Cited**
U.S. PATENT DOCUMENTS

- D163,449 S 5/1951 Eiseman
D181,729 S 12/1957 Jones et al.
D202,104 S 8/1965 Melchior
D211,334 S 6/1968 Schultz
D235,712 S 7/1975 Laylon
D259,078 S 5/1981 Deconinck
D260,826 S 9/1981 Steinberger
D277,346 S 1/1985 Steinberger
D278,105 S 3/1985 Ridenour
D279,243 S 6/1985 Vanderminden
D332,355 S 1/1993 Maruya et al.
D343,964 S 2/1994 Gibbs
D359,172 S 6/1995 Arthur
D359,858 S 7/1995 Arthur
D364,750 S 12/1995 Escalona
D369,477 S 5/1996 Arthur
D370,359 S 6/1996 Tseng
D371,684 S 7/1996 Caldwell
D372,806 S 8/1996 Martin
D388,969 S 1/1998 Goodman
D394,560 S 5/1998 Lowman et al.
D415,623 S 10/1999 Lin
D417,345 S 12/1999 Bell et al.
D426,717 S 6/2000 Frinier
D426,975 S 6/2000 Gaylord et al.

OTHER PUBLICATIONS

SUNCOAST FURNITURE Product Catalog (2002–2003) (even numbered pages only).
U.S. patent application Ser. No. 29/185,282, Caldwell, filed Jun. 25, 2003.
U.S. Appl. No. 29/188,526, Pluer.
U.S. Appl. No. 29/188,583, Pluer.

Primary Examiner—Gary D. Watson
(74) *Attorney, Agent, or Firm*—Laura G. Barrow; Hahn Loeser + Parks LLP

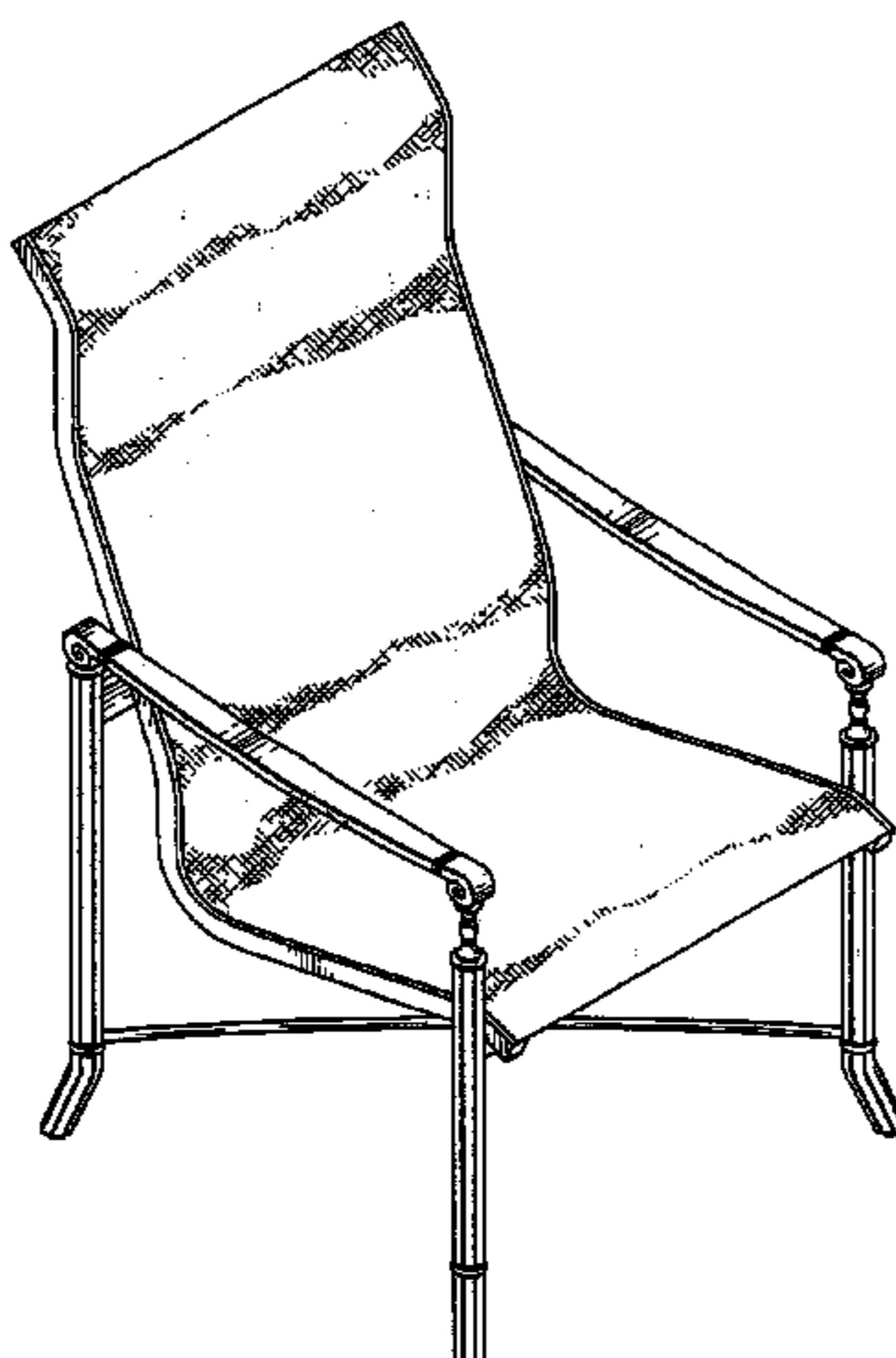
(57) **CLAIM**

The ornamental design of a chair, as shown and described.

DESCRIPTION

FIG. 1 is a perspective view of the chair showing my new design.
FIG. 2 is a front elevation thereof.
FIG. 3 is a rear elevation thereof.
FIGS. 4 and 5 are side elevation views thereof.
FIG. 6 is a top plan view thereof; and,
FIG. 7 is a bottom plan view thereof.
The fragmented cross-hatching show on the seat and backrest member is understood to represent fabric and would be continuous throughout the circumscribed area.

1 Claim, 4 Drawing Sheets



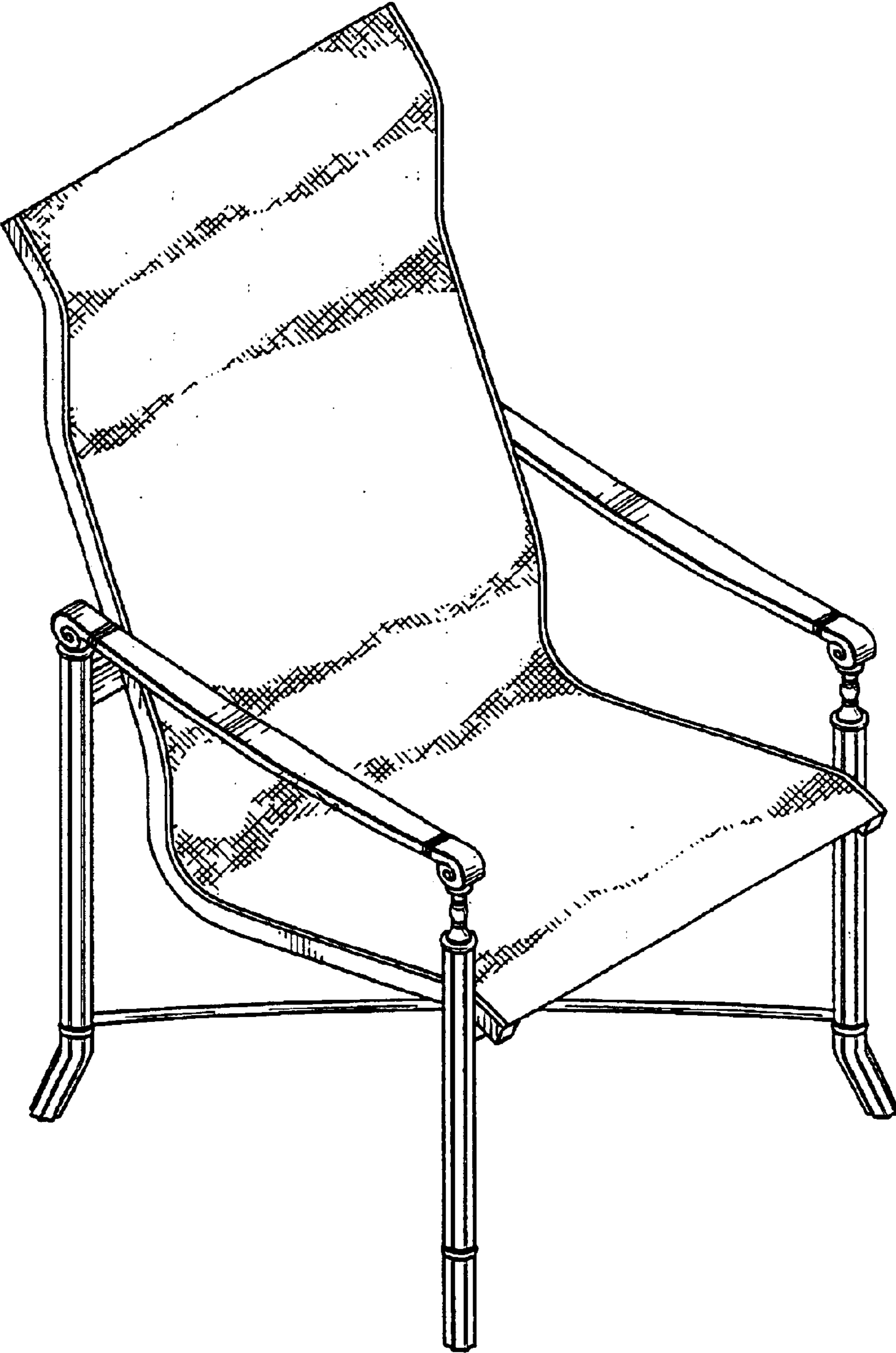


Fig. 1

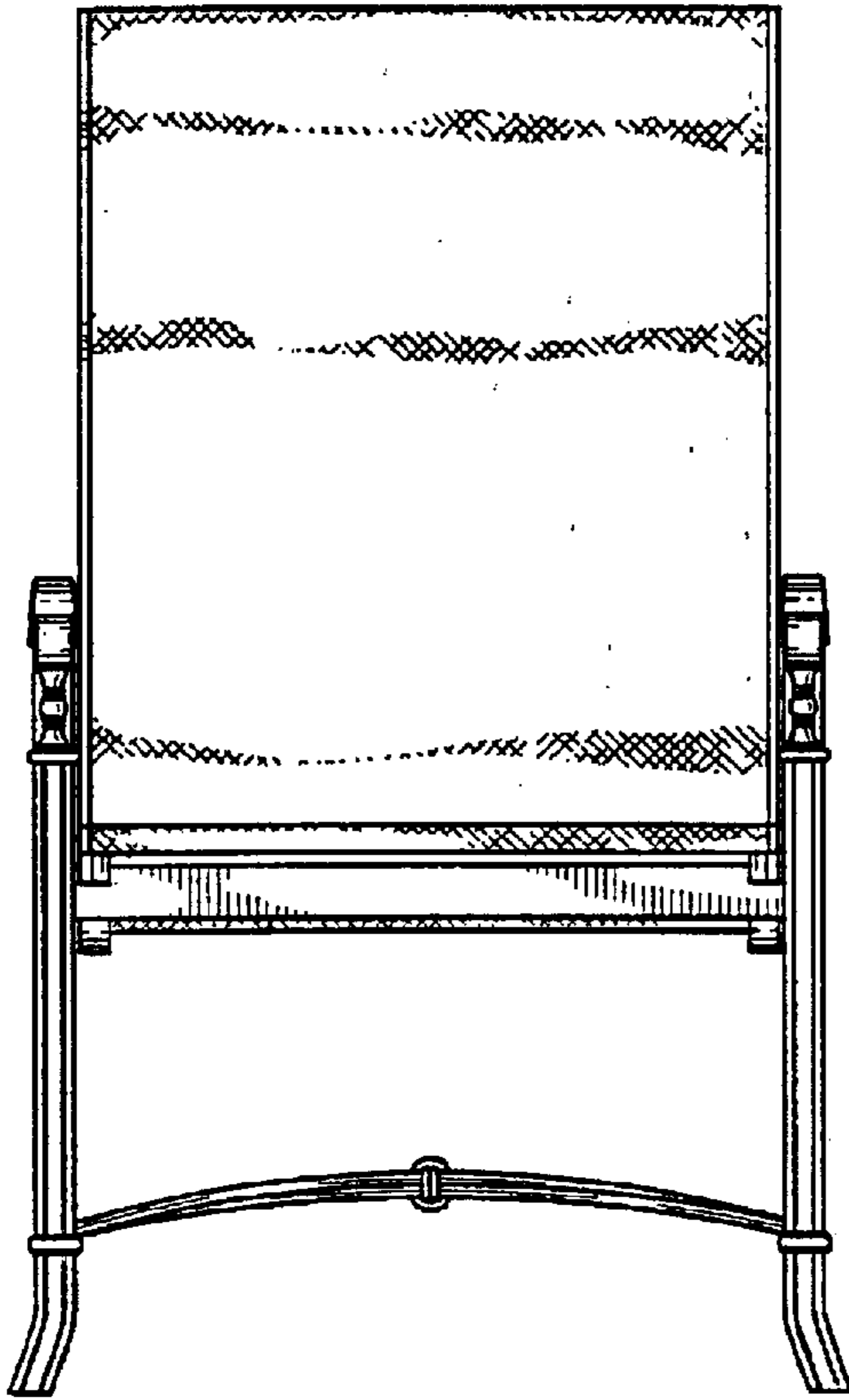


Fig. 2

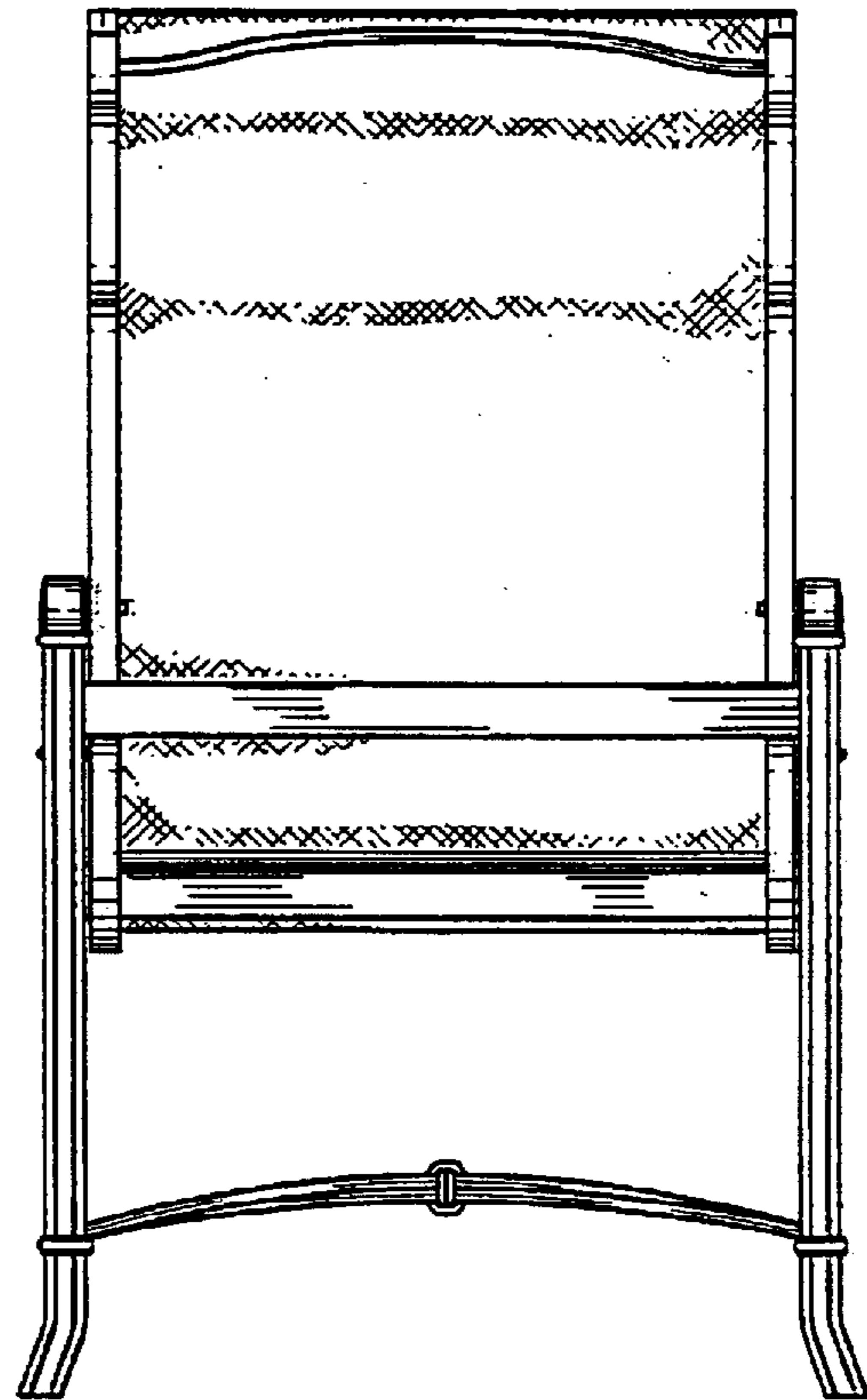


Fig. 3

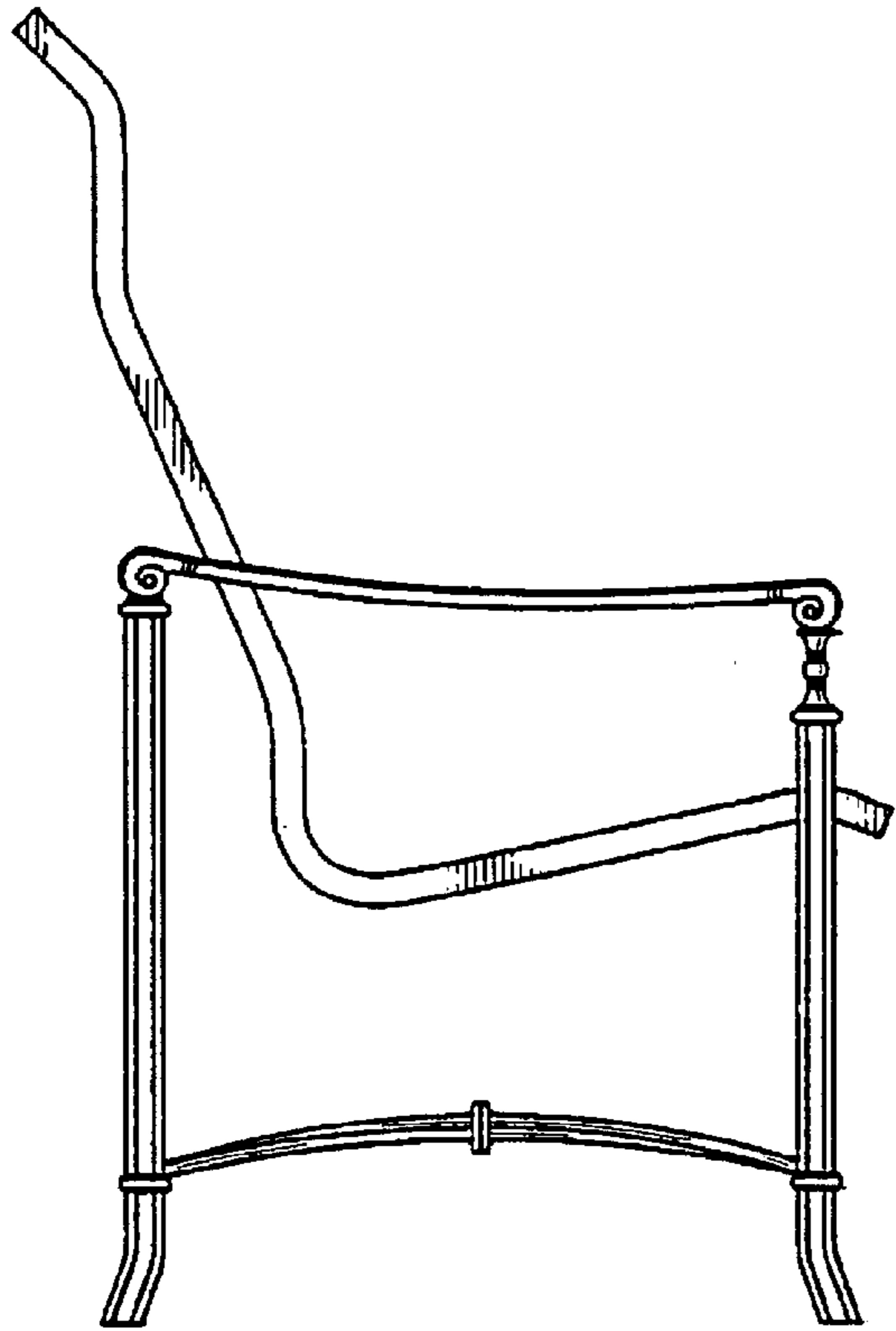


Fig. 4

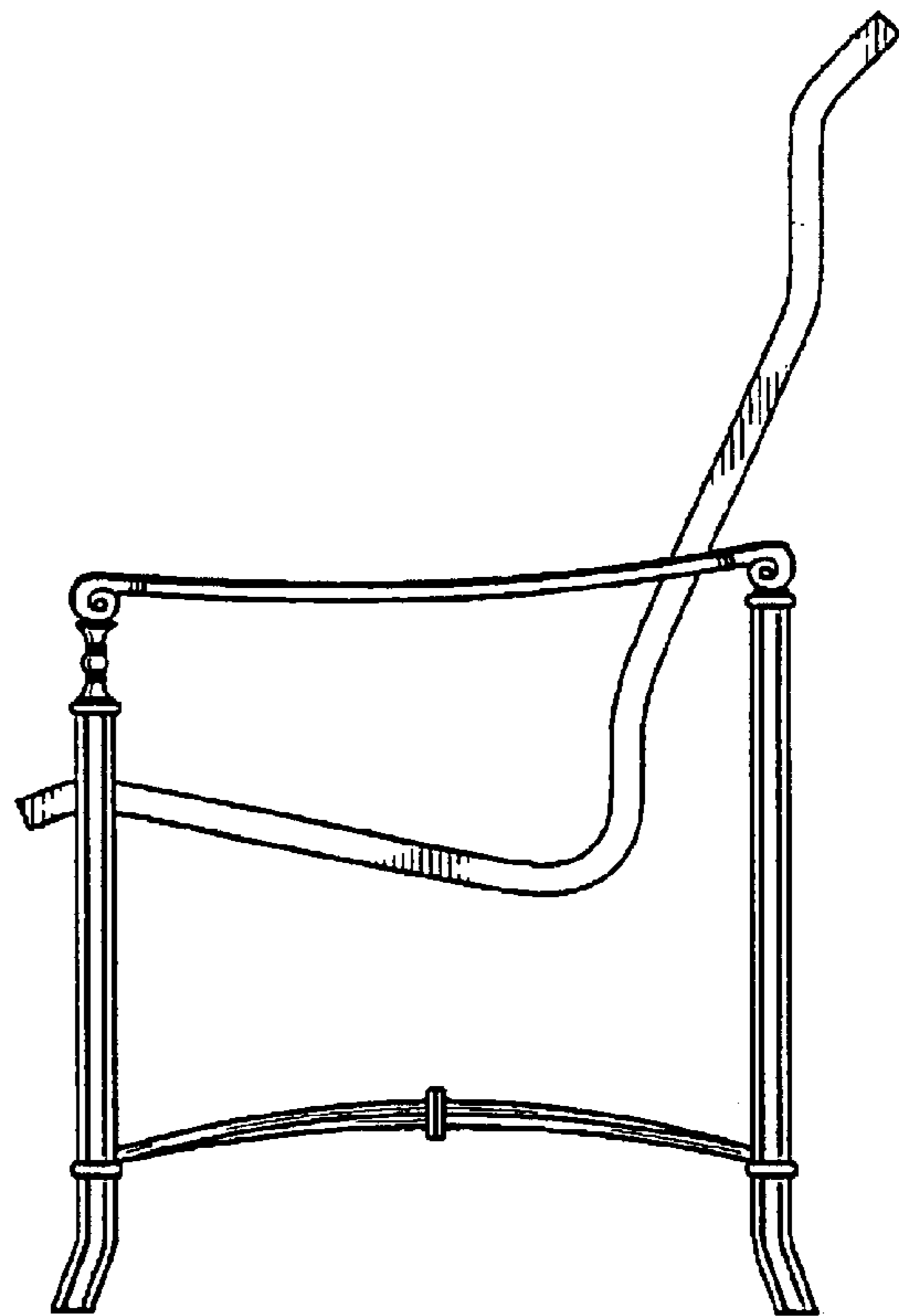


Fig. 5

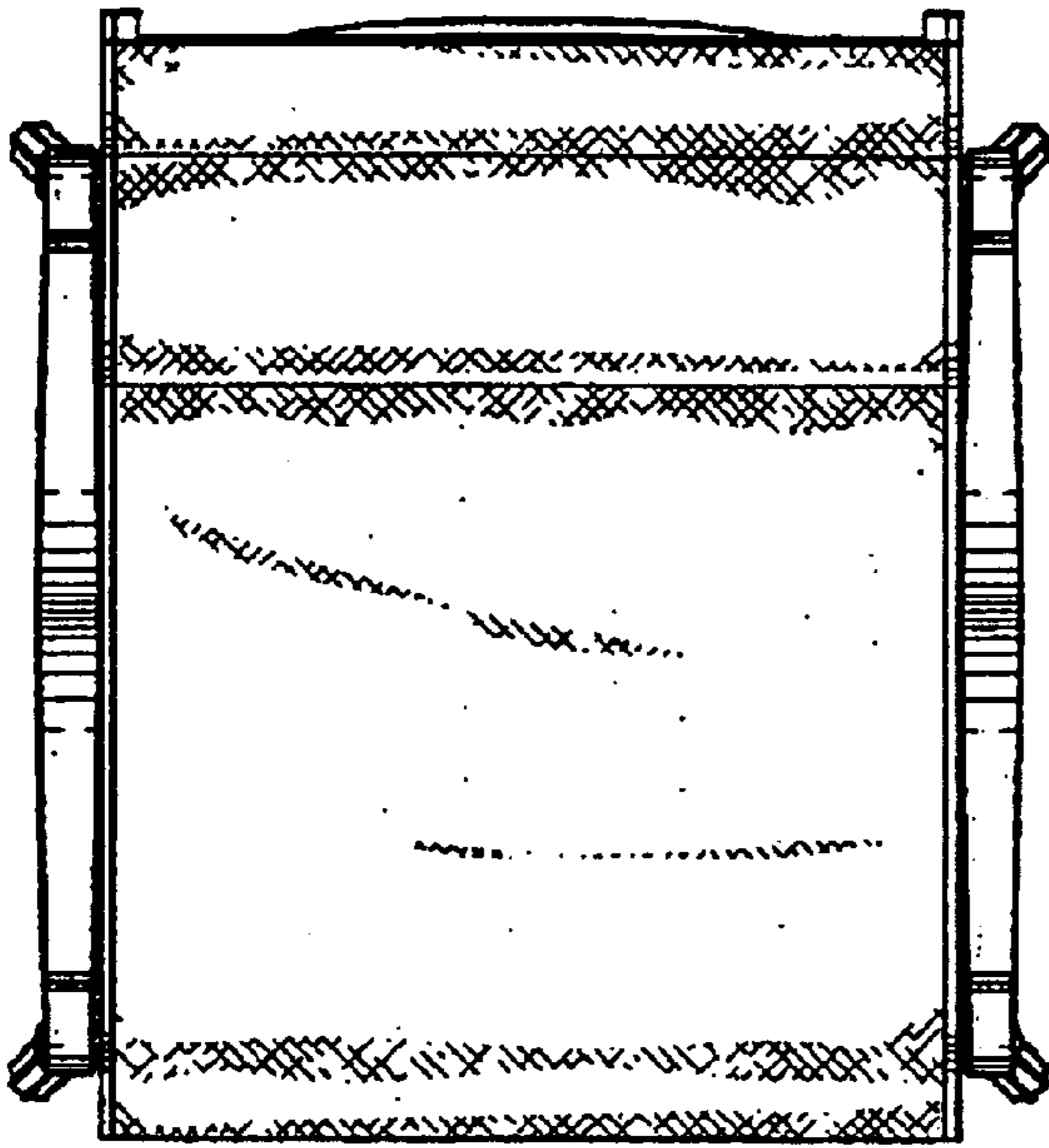


Fig. 6

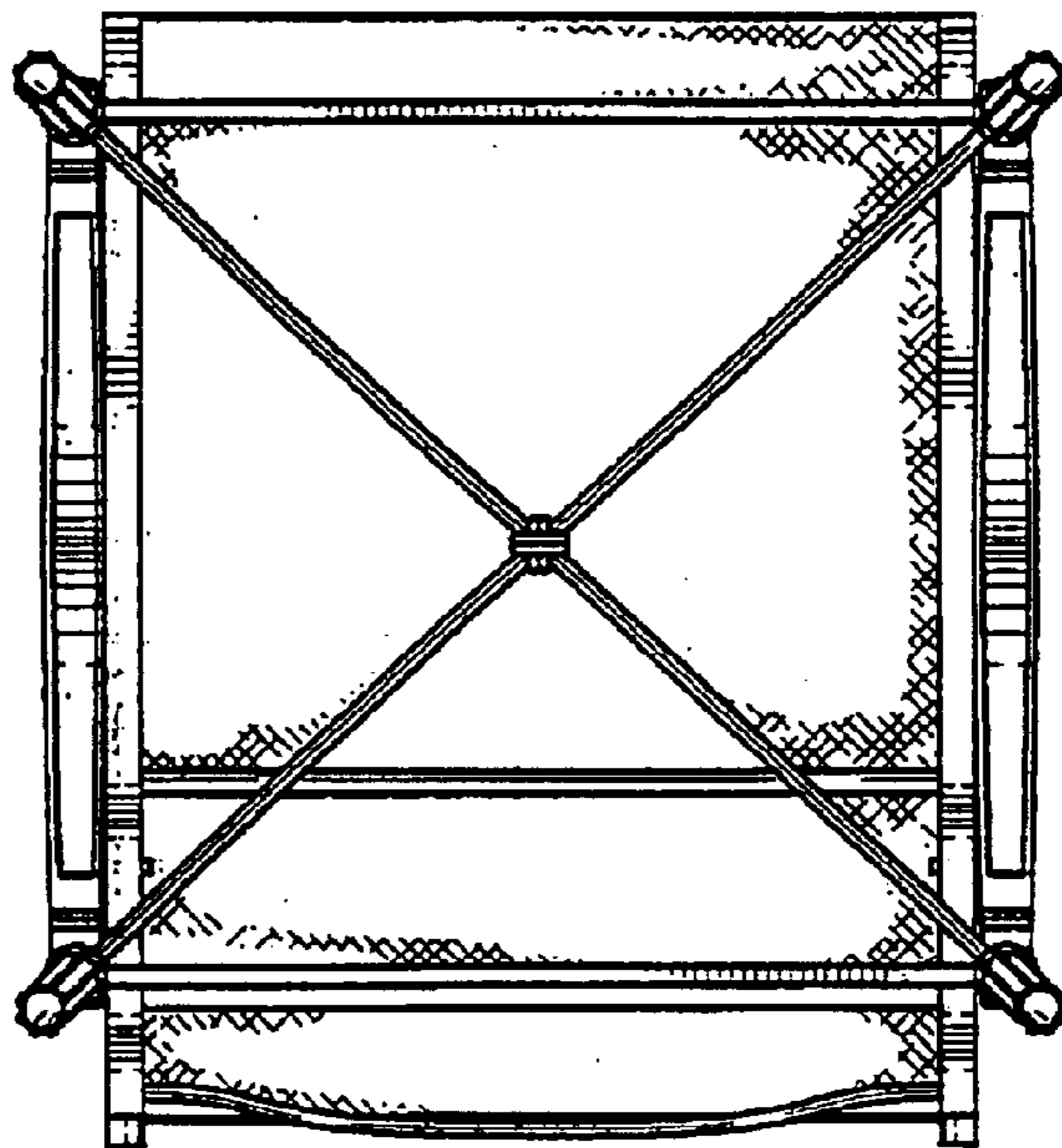


Fig. 7