

US00D502328S

(12) **United States Design Patent**  
**Gouldson**

(10) **Patent No.:** **US D502,328 S**  
(45) **Date of Patent:** **\*\* Mar. 1, 2005**

(54) **GARMENT HANGER**

(75) Inventor: **Stanley F. Gouldson**, Northport, NY  
(US)

(73) Assignee: **Spotless Plastics Pty. Ltd.**, Moorabbin  
(AU)

(\*\*) Term: **14 Years**

(21) Appl. No.: **29/193,183**

(22) Filed: **Nov. 5, 2003**

(51) **LOC (7) Cl.** ..... **06-08**

(52) **U.S. Cl.** ..... **D6/326**

(58) **Field of Search** ..... D6/326, 315, 318,  
D6/319; 24/499-500, 517-518; 211/86.01,  
113; 223/85, 88, 89, 90-93, 95-96, DIG. 2

(56) **References Cited**

**U.S. PATENT DOCUMENTS**

D204,039 S	*	3/1966	Phillipson et al.	.....	D6/315
D299,086 S	*	12/1988	Wilson	.....	D6/326
D301,942 S	*	7/1989	Talbot-Titley	.....	D6/326
D301,943 S	*	7/1989	Wilson	.....	D6/326
D327,579 S	*	7/1992	Fildan	.....	D6/326
D415,357 S	*	10/1999	Blanchard	.....	D6/326
D417,557 S	*	12/1999	Blanchard	.....	D6/326
D423,235 S	*	4/2000	Bond et al.	.....	D6/326
D429,898 S	*	8/2000	Morgan et al.	.....	D6/326
D435,173 S	*	12/2000	Morgan et al.	.....	D6/326
D439,419 S	*	3/2001	Zuckerman	.....	D6/326
D449,743 S	*	10/2001	Morgan	.....	D6/326
2002/0190090 A1	*	12/2002	Gouldson et al.	.....	223/85

\* cited by examiner

*Primary Examiner*—Stella Reid  
*Assistant Examiner*—Daniel Bui

(74) *Attorney, Agent, or Firm*—Scully, Scott, Murphy & Presser

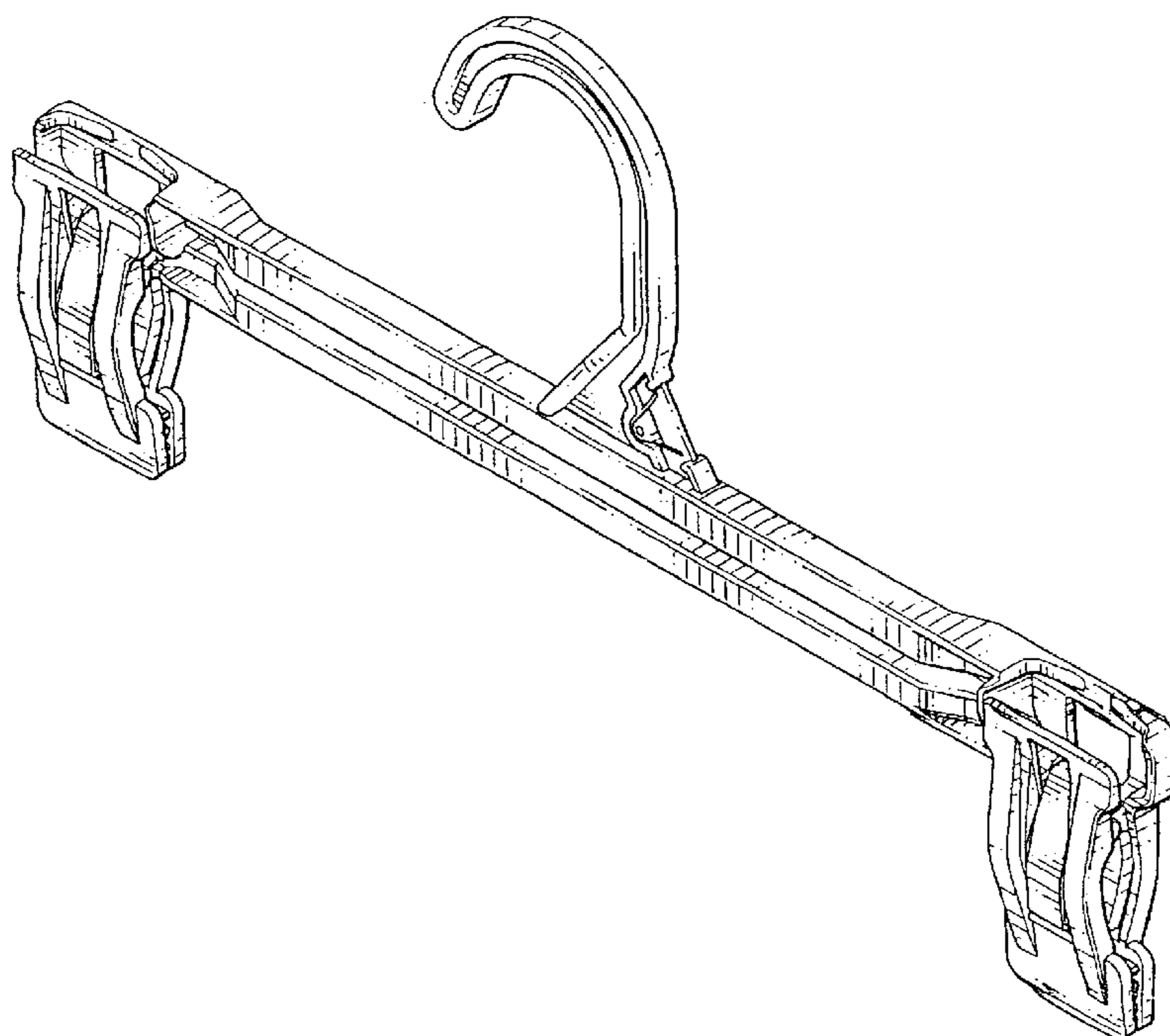
(57) **CLAIM**

The ornamental design for a garment hanger, as shown and described.

**DESCRIPTION**

FIG. 1 is a perspective view of a first embodiment of a garment hanger, showing my new design;  
 FIG. 2 is a front elevation view thereof;  
 FIG. 3 is a rear elevation view thereof;  
 FIG. 4 is a top plan view thereof;  
 FIG. 5 is a bottom plan view thereof;  
 FIG. 6 is a right side elevation view thereof;  
 FIG. 7 is a left side elevation view thereof;  
 FIG. 8 is a cross-sectional view thereof, taken along line 8—8 in FIG. 2;  
 FIG. 9 is a perspective view of a second embodiment of a garment hanger;  
 FIG. 10 is a front elevation view thereof;  
 FIG. 11 is a rear elevation view thereof;  
 FIG. 12 is a top plan view thereof;  
 FIG. 13 is a bottom plan view thereof;  
 FIG. 14 is a right side elevation view thereof;  
 FIG. 15 is a left side elevation view thereof; and,  
 FIG. 16 is a cross-sectional view thereof, taken along line 16—16 in FIG. 10.

**1 Claim, 10 Drawing Sheets**



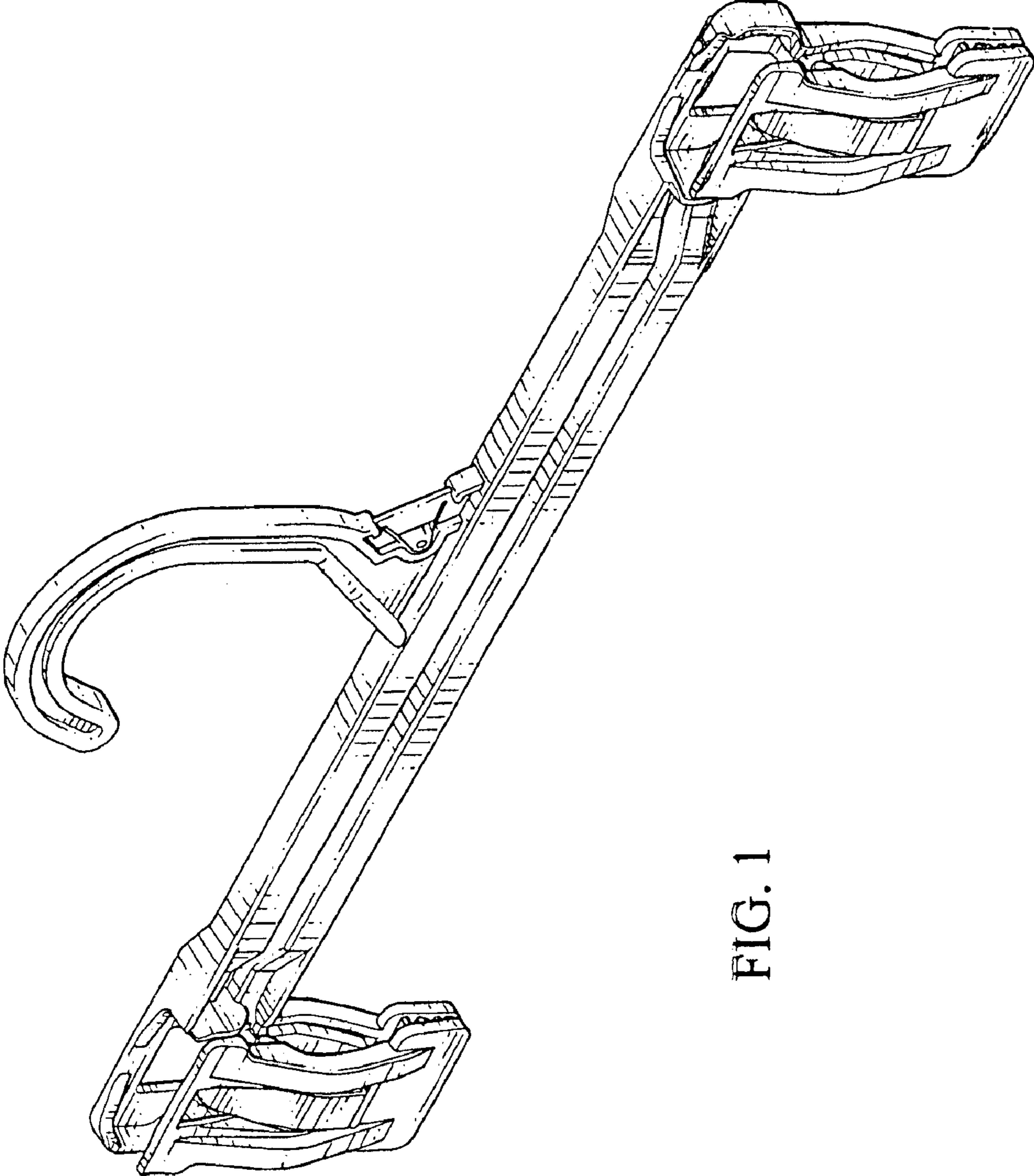


FIG. 1

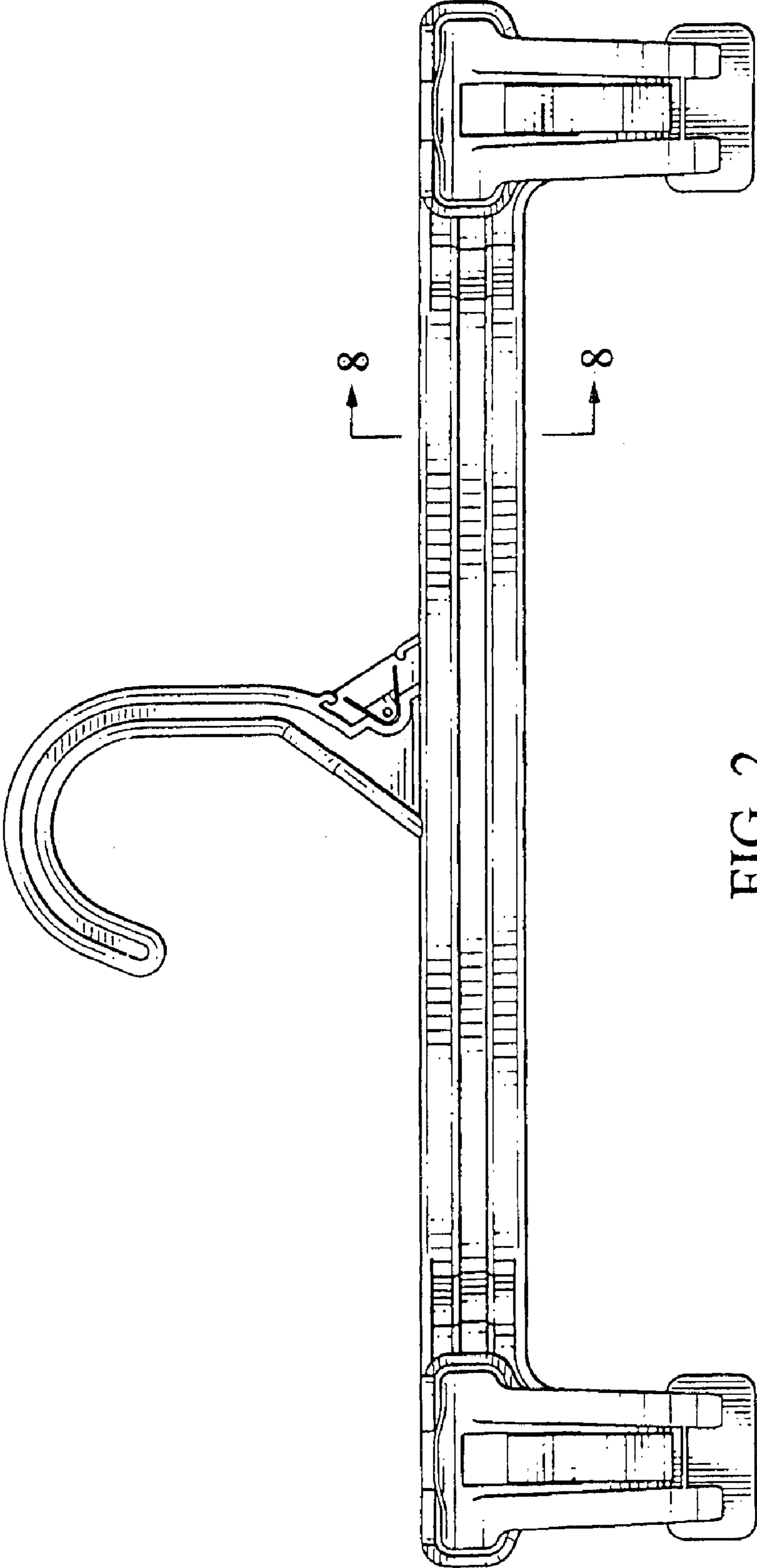


FIG. 2

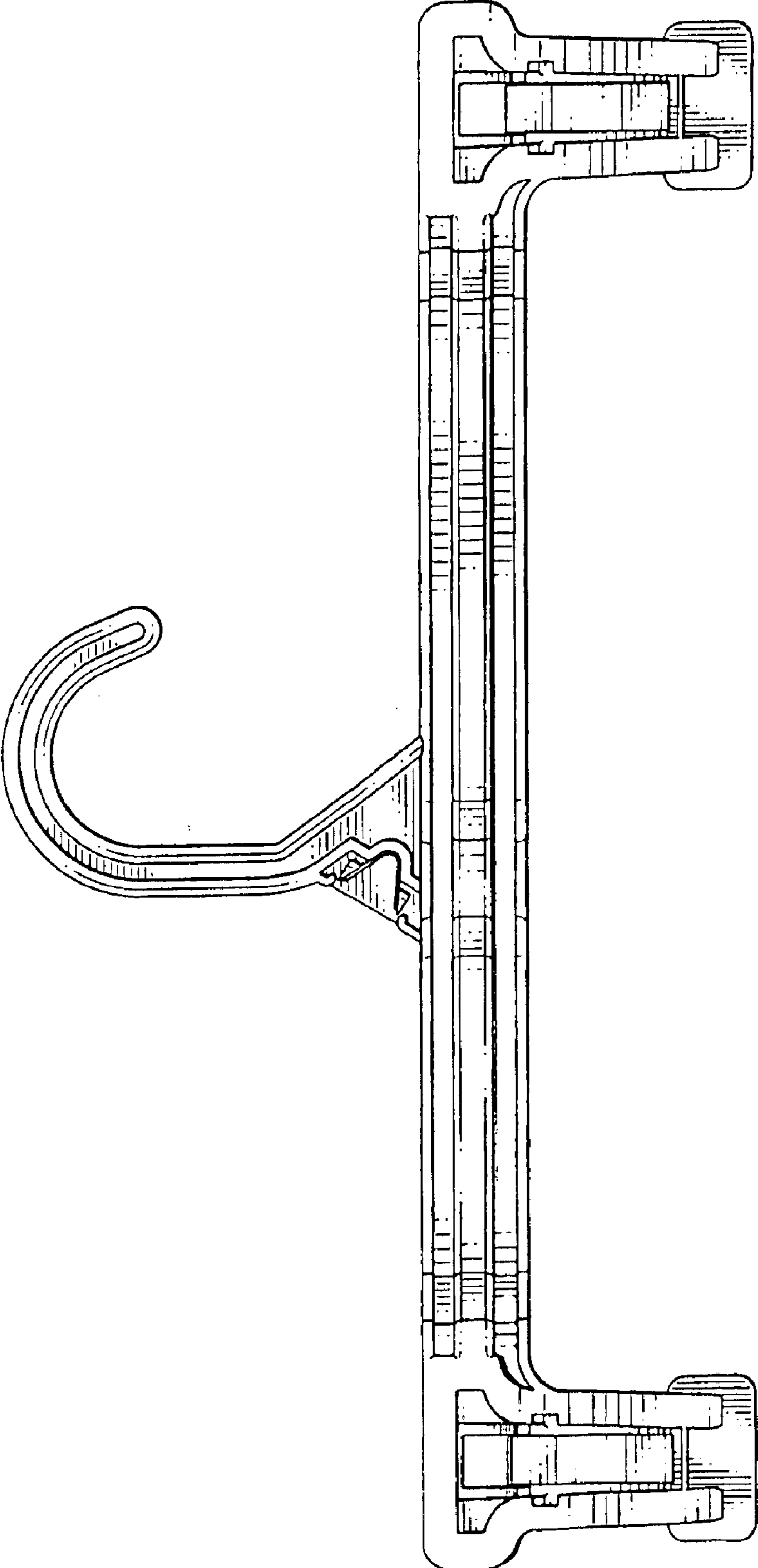


FIG. 3

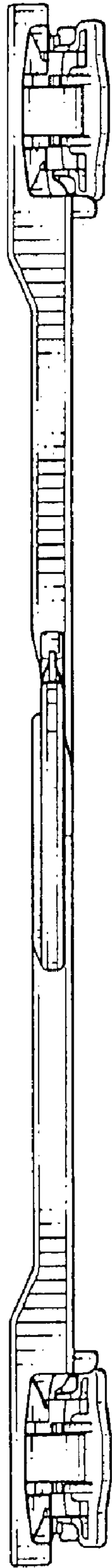


FIG. 4

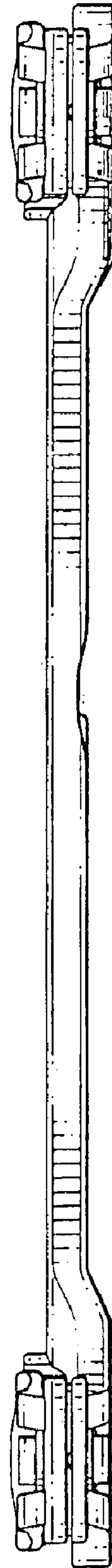


FIG. 5

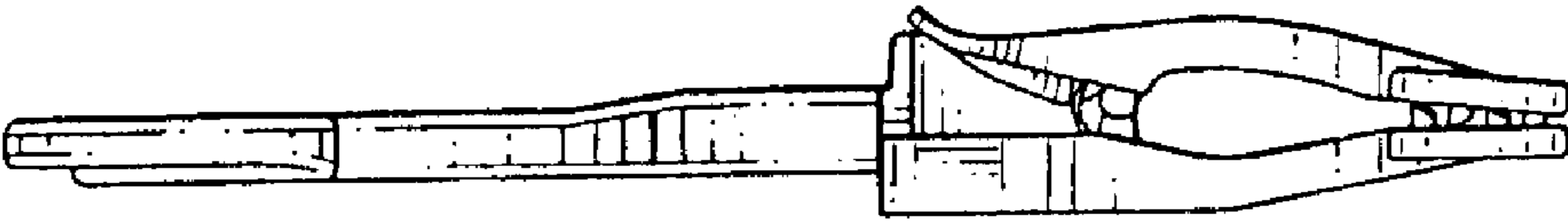


FIG. 6

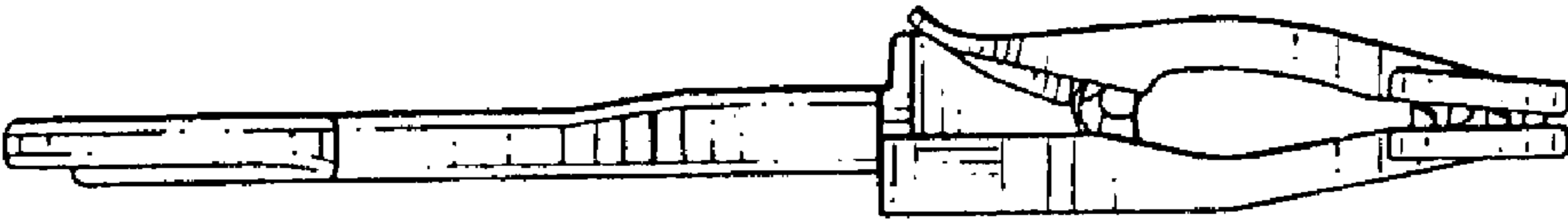


FIG. 7

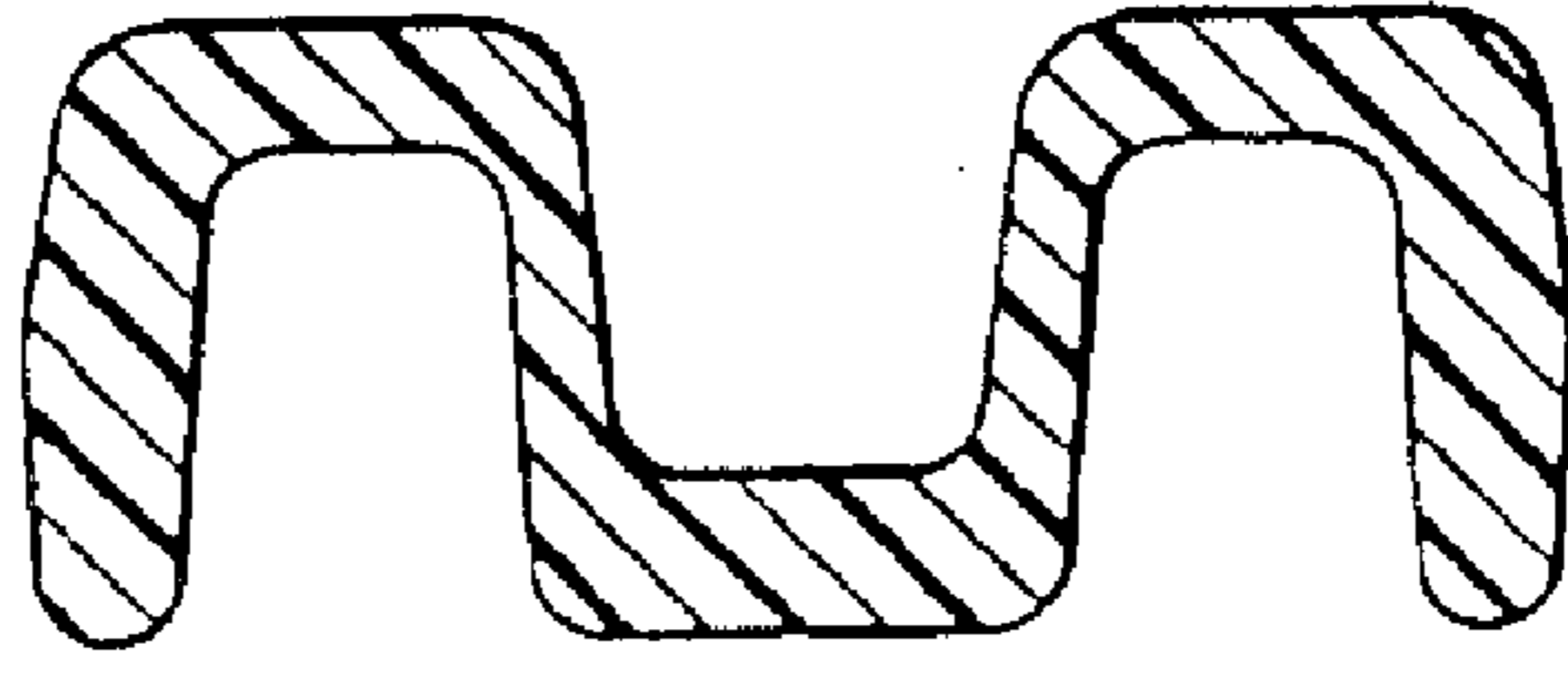


FIG. 8



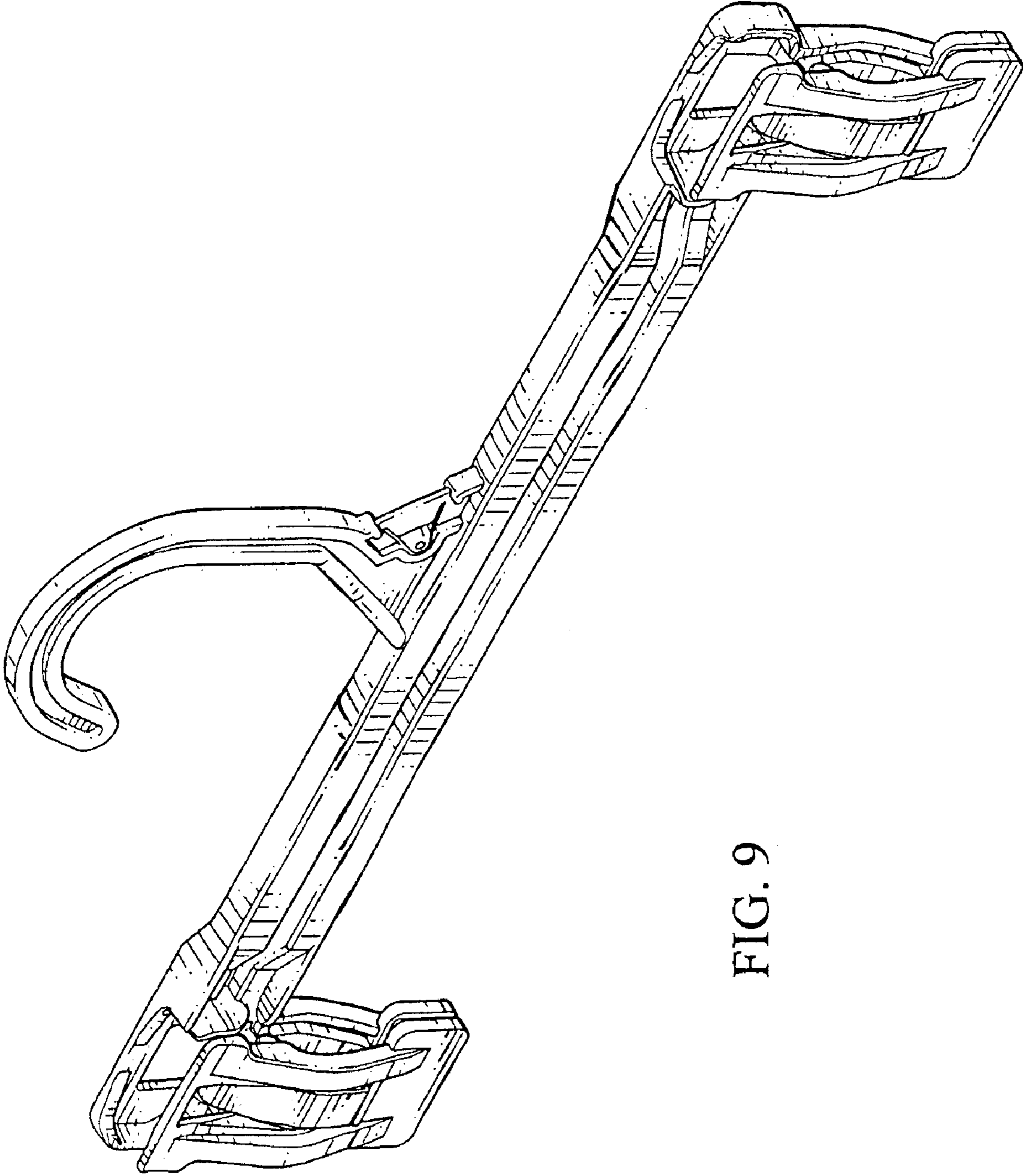


FIG. 9

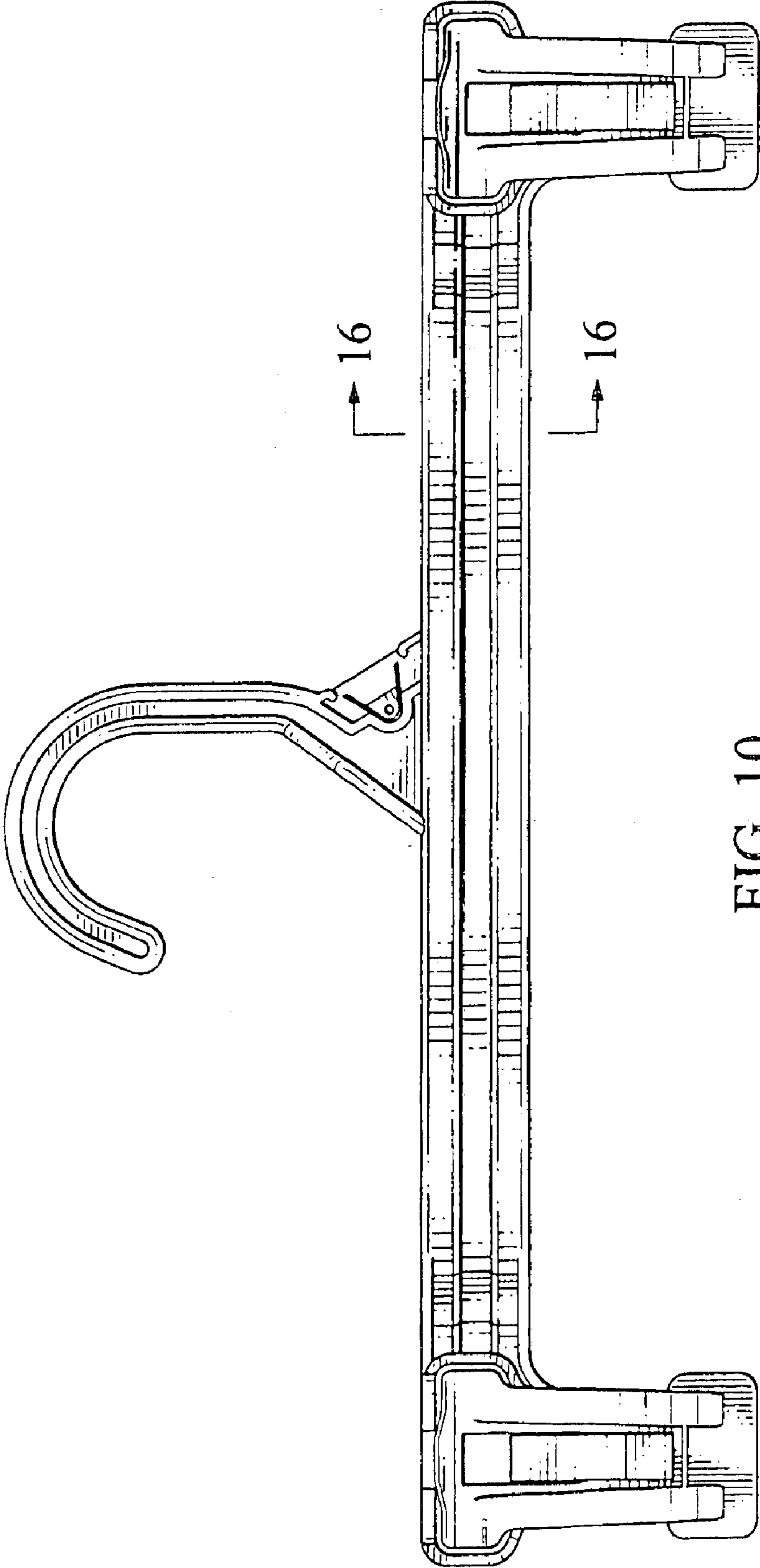


FIG. 10



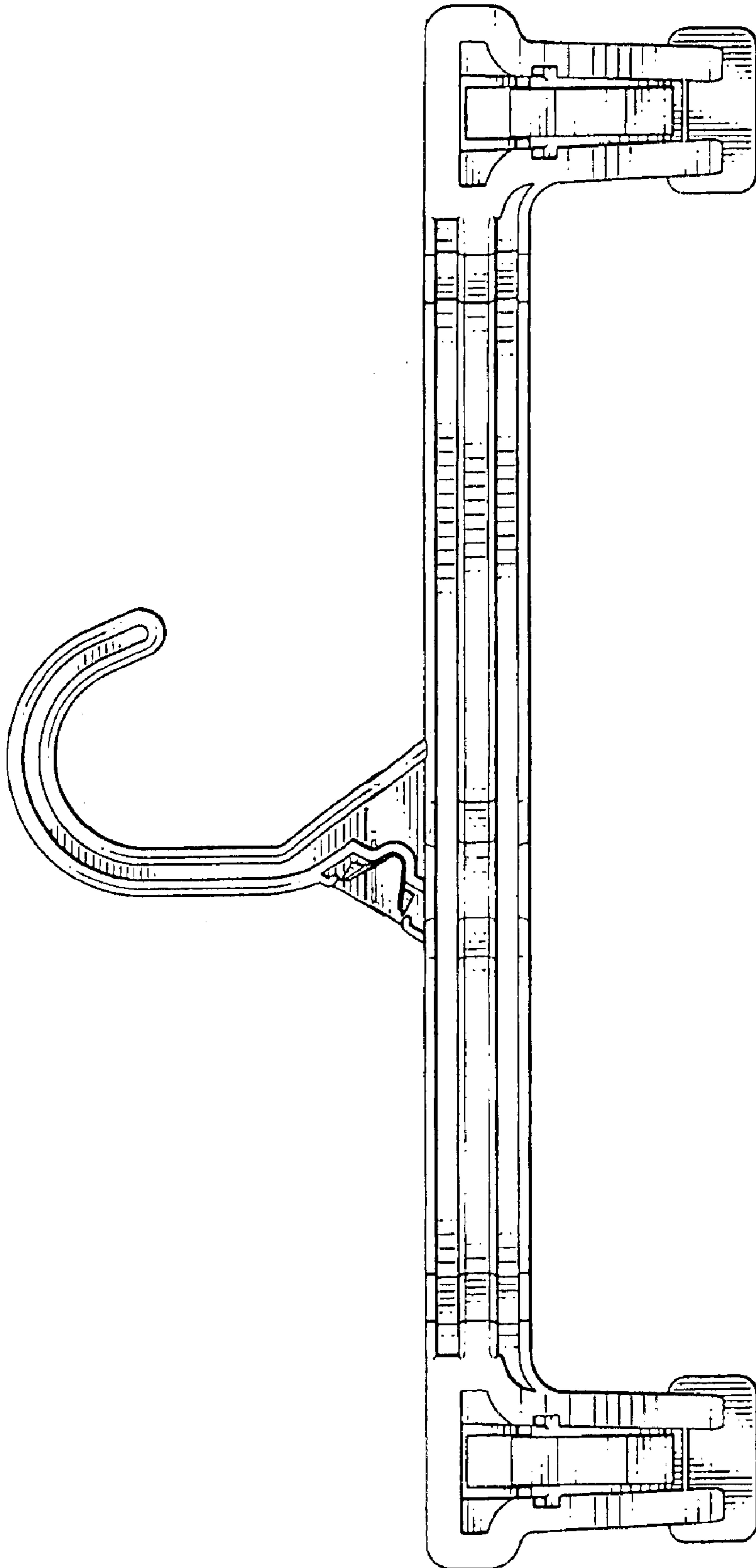


FIG. 11

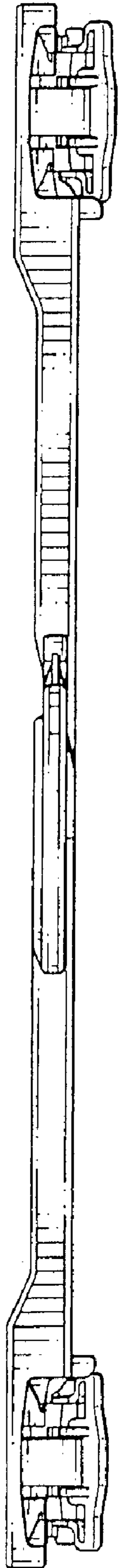


FIG. 12

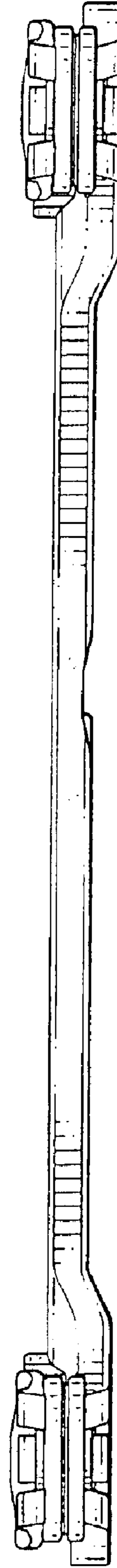


FIG. 13

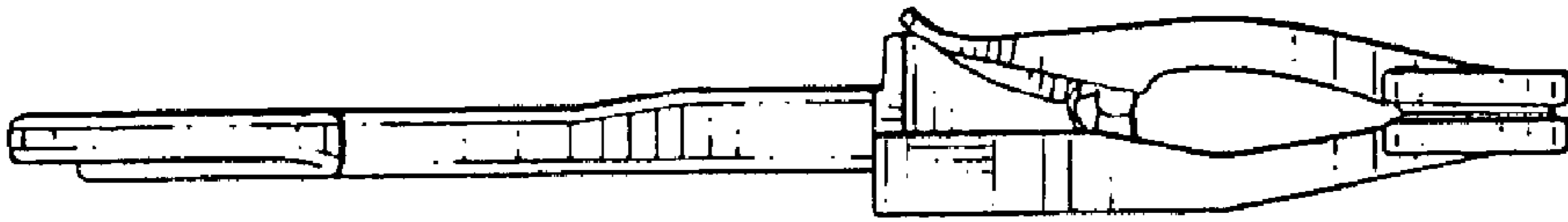


FIG. 14

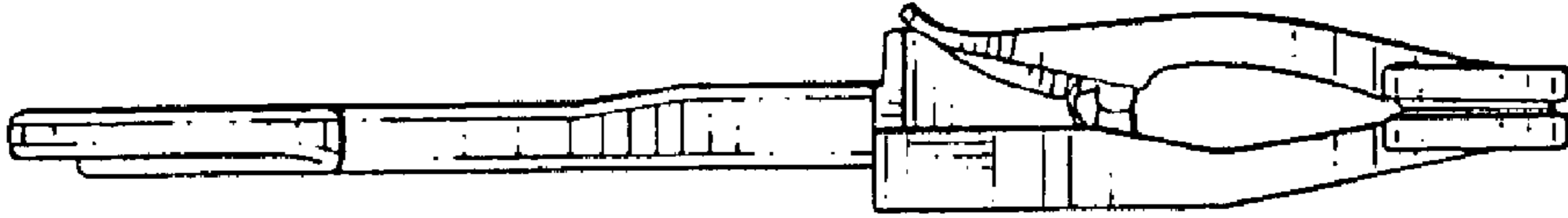


FIG. 15

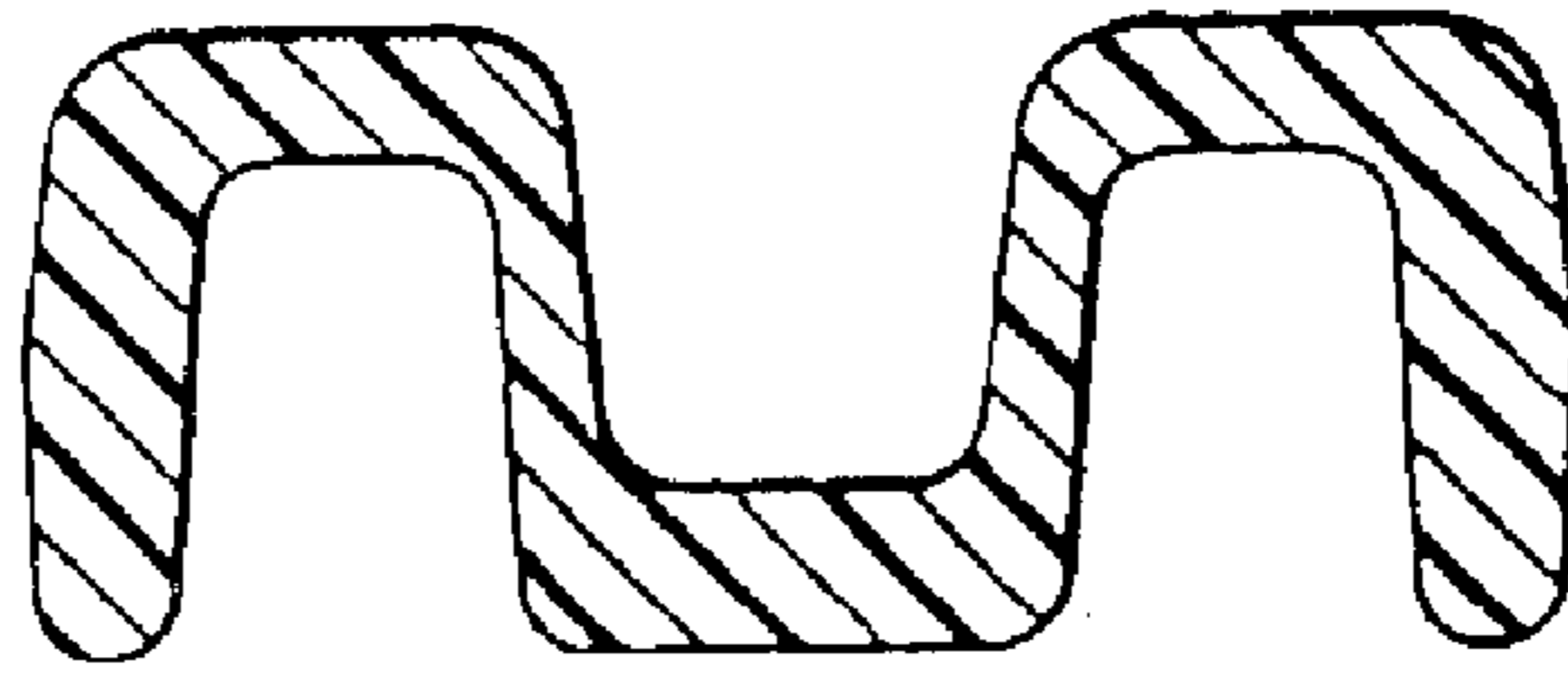


FIG. 16