

US00D502319S

(12) **United States Design Patent**
Krebs et al.

(10) **Patent No.:** **US D502,319 S**
(45) **Date of Patent:** **** Mar. 1, 2005**

(54) **LID FOR A STORAGE CONTAINER**

(75) Inventors: **Philip M. Krebs**, West Linn, OR (US);
Stephen A. Garrett, Vancouver, WA
(US); **Shelton Louie**, Vancouver, WA
(US)

(73) Assignee: **GSL Solutions, Inc.**, Vancouver, WA
(US)

(**) Term: **14 Years**

(21) Appl. No.: **29/186,504**

(22) Filed: **Jul. 15, 2003**

(51) **LOC (7) Cl.** **03-99**

(52) **U.S. Cl.** **D3/323**

(58) **Field of Search** D3/201, 272, 273,
D3/323, 326; D7/392.1, 391; 206/508, 518,
512, 338; 220/356, 334, 337; D9/435, 425,
424, 432

(56) **References Cited**

U.S. PATENT DOCUMENTS

3,056,525 A * 10/1962 Deinert 206/508
4,819,795 A * 4/1989 Swaney 206/508

D377,865 S * 2/1997 Kristoffersson D3/323
D389,012 S * 1/1998 Miller D7/391
D426,064 S * 6/2000 Douglas et al. D3/326

* cited by examiner

Primary Examiner—Louis S. Zarfes

Assistant Examiner—Gregory Andoll

(74) *Attorney, Agent, or Firm*—Ipsolon LLP

(57) **CLAIM**

The ornamental design for a lid for a storage container, as shown and described.

DESCRIPTION

FIG. 1 is a top, front perspective view of a storage container with lid showing our design;

FIG. 2 is a bottom, front perspective view thereof;

FIG. 3 is a bottom plan view thereof;

FIG. 4 is a top plan view thereof;

FIG. 5 is a left, side view thereof, the right side view being a mirror image of the left, side view;

FIG. 6 is a front view thereof; and,

FIG. 7 is a back view thereof.

The broken lines are for illustrative purpose only and form no part of the claimed design.

1 Claim, 3 Drawing Sheets

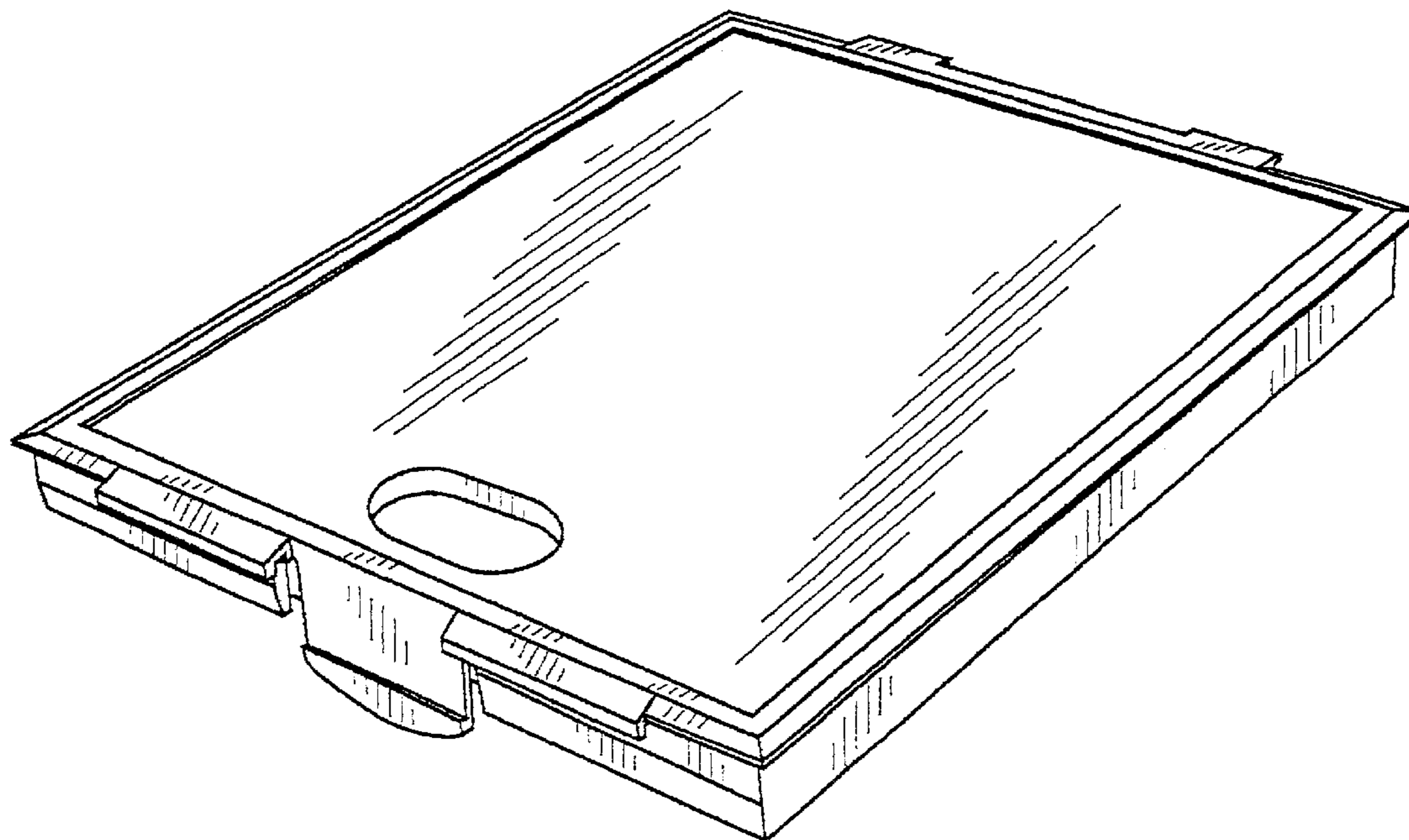


FIG. 1

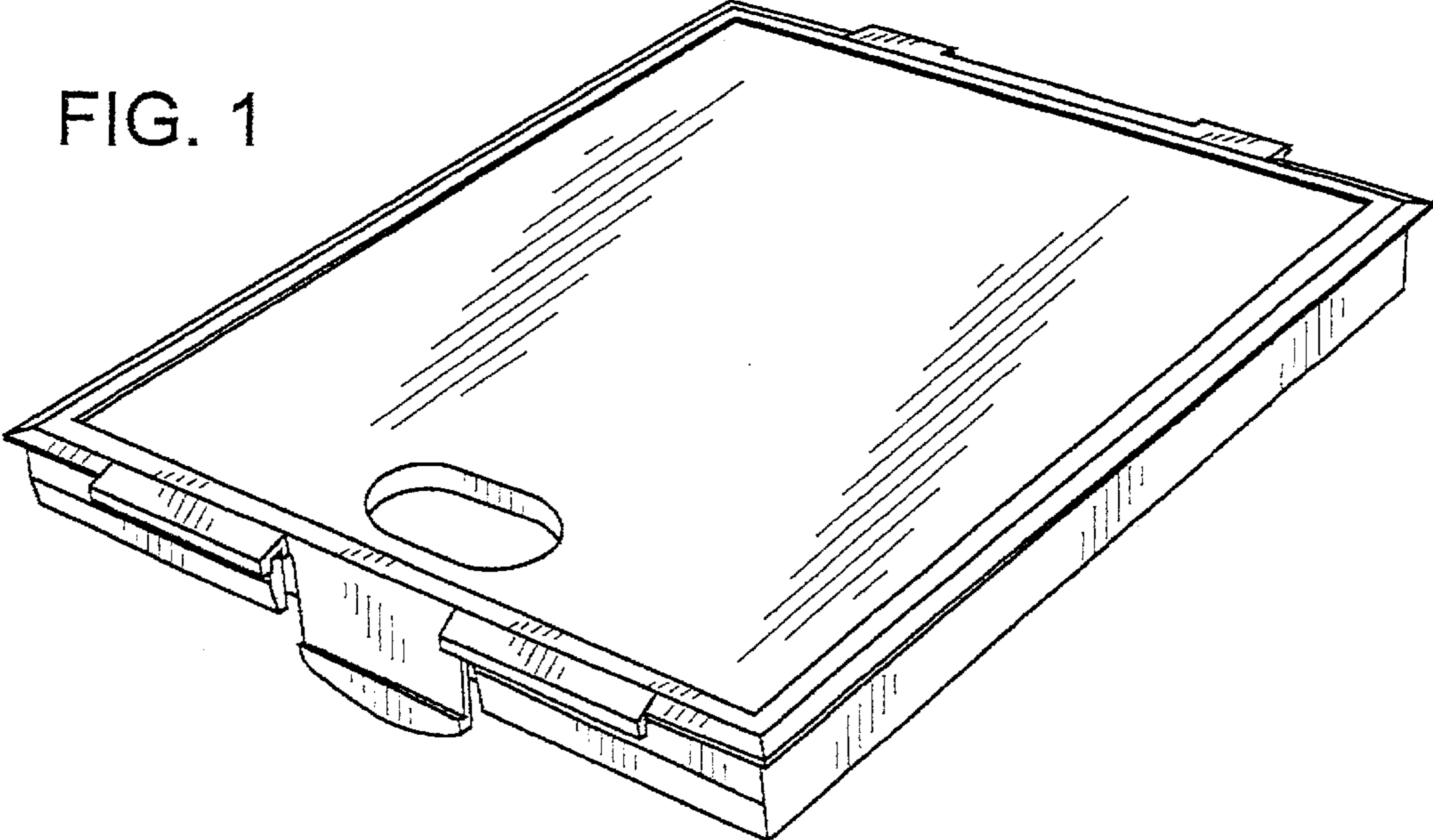


FIG. 2

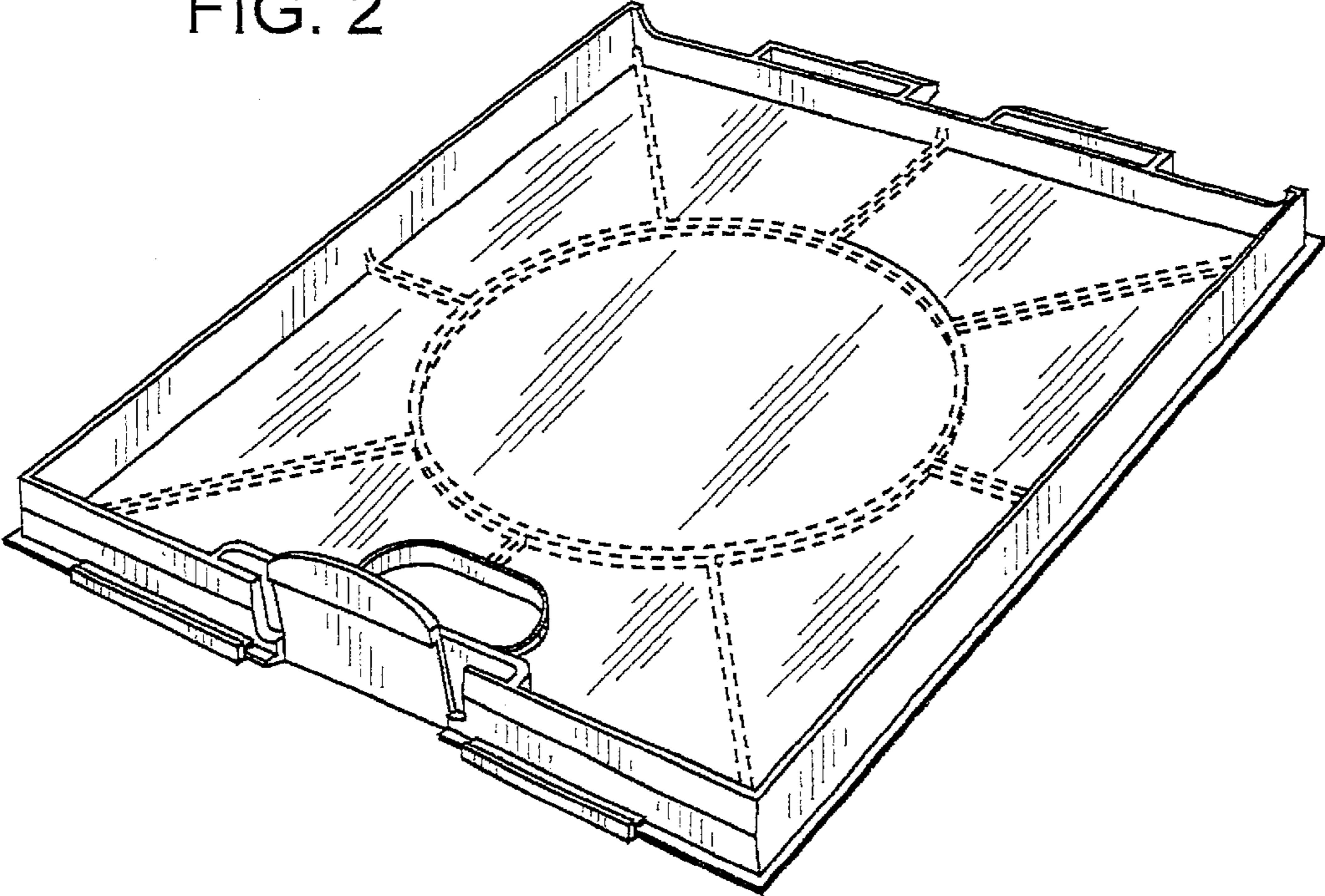


FIG. 3

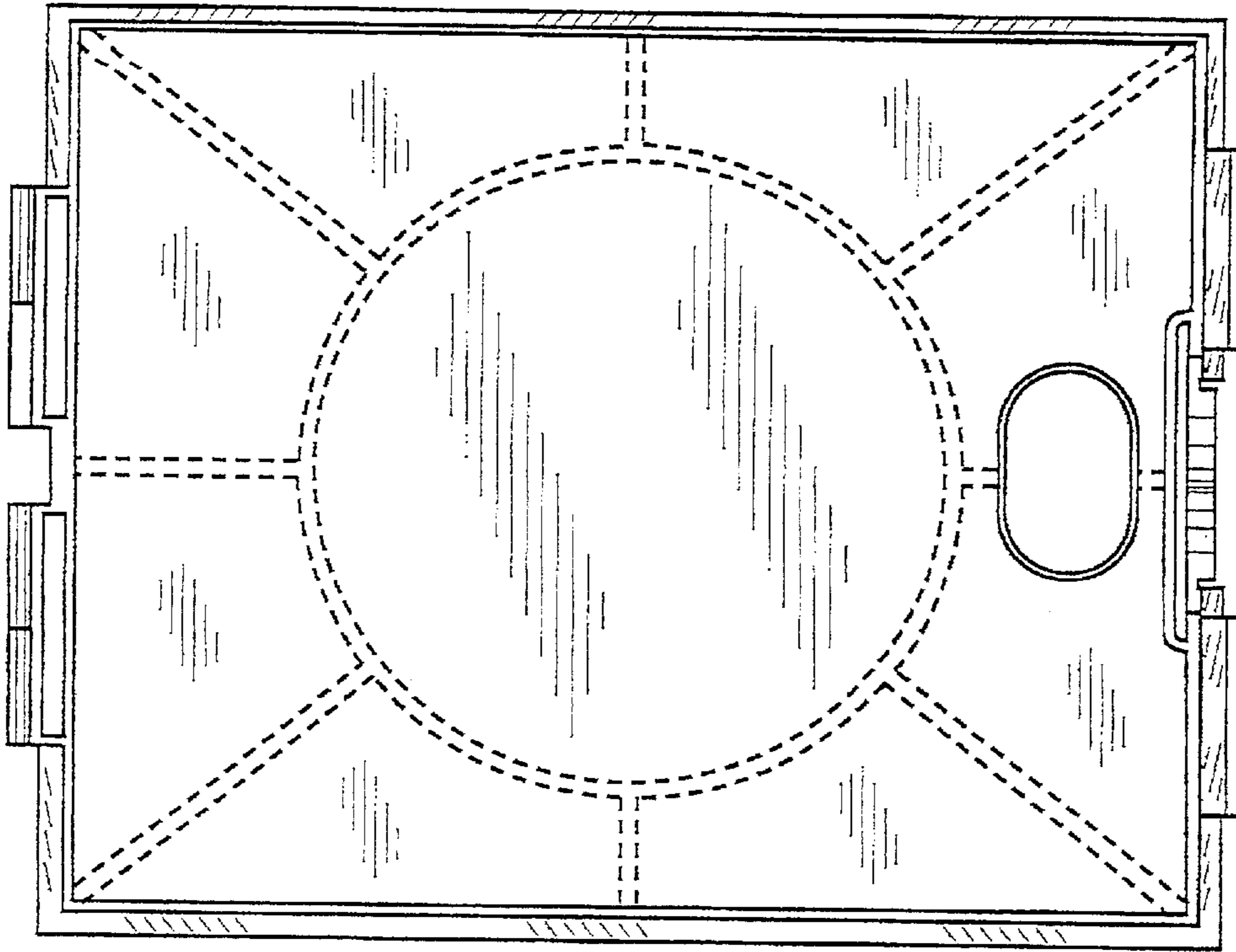


FIG. 4

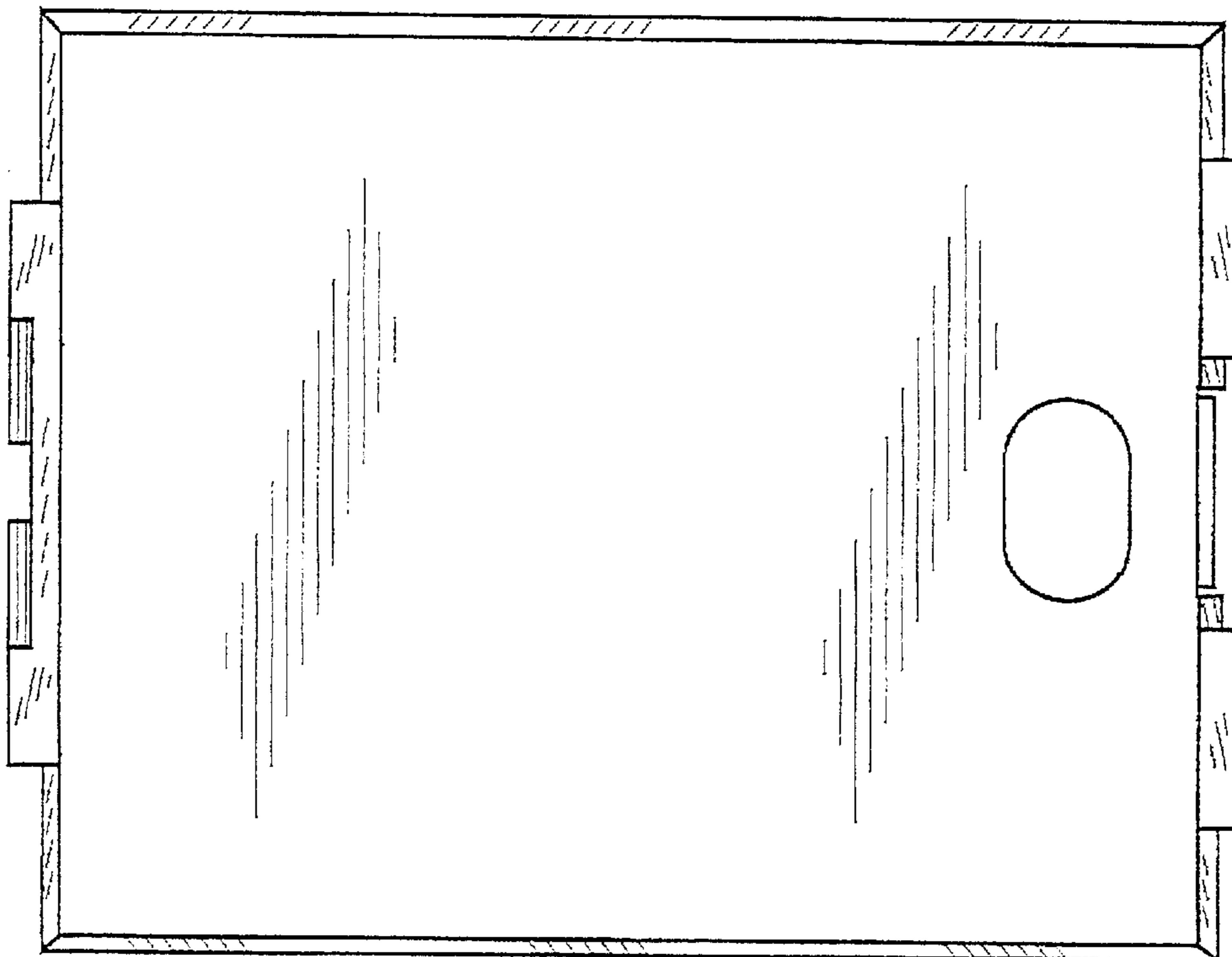


FIG. 5

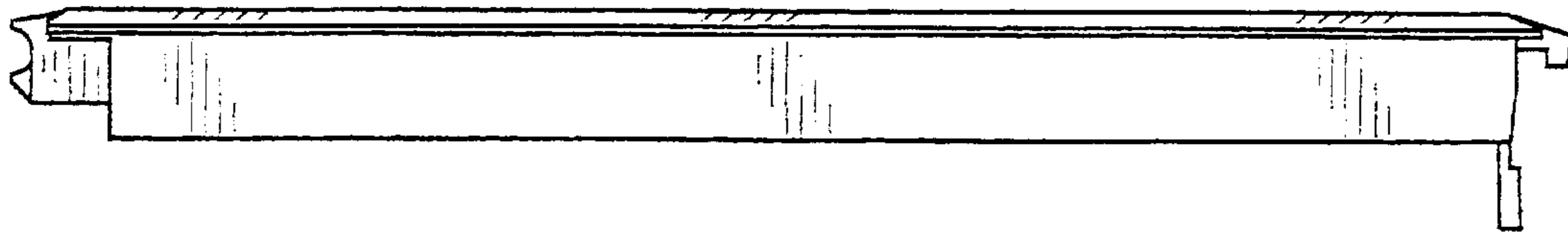


FIG. 6

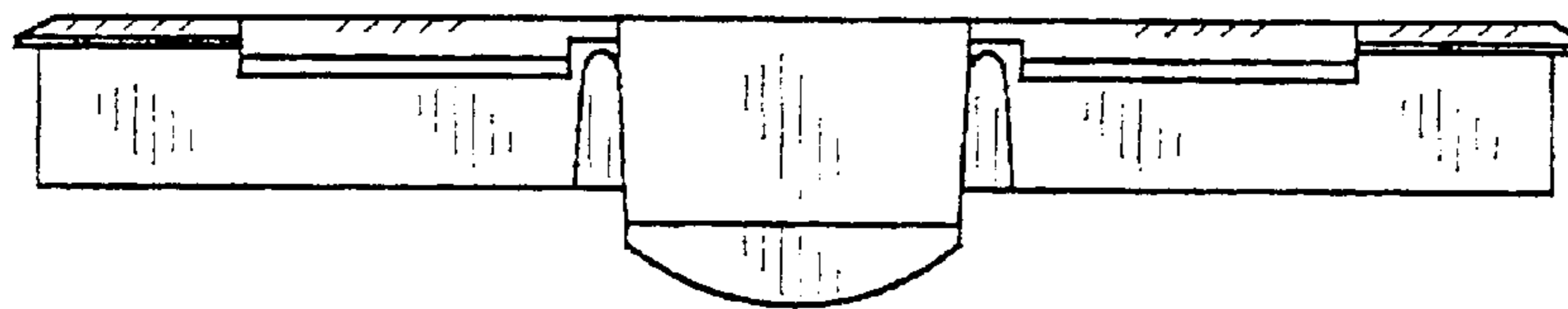


FIG. 7

