

US00D502317S

(12) **United States Design Patent**
Zuther

(10) **Patent No.:** **US D502,317 S**
(45) **Date of Patent:** **** Mar. 1, 2005**

- (54) **ROUND SHEET METAL BOX**
- (76) Inventor: **Jan Zuther**, Stollwerckstr.27, 51/49
Köln (DE)
- (**) Term: **14 Years**
- (21) Appl. No.: **29/185,796**
- (22) Filed: **Jun. 26, 2003**
- (51) **LOC (7) Cl.** **03-01**
- (52) **U.S. Cl.** **D3/302; D9/428**
- (58) **Field of Search** D3/203, 273, 302,
D3/294; D9/428, 424, 549, 504; D28/82;
220/377, 362, 780; 132/293

- D441,144 S * 4/2001 Vanoncini D28/82
- D441,259 S * 5/2001 Molenaar D7/629
- D468,058 S * 12/2002 Thorpe D28/82
- D473,344 S * 4/2003 Thorpe D28/82

* cited by examiner

Primary Examiner—Philip S. Hyder
(74) *Attorney, Agent, or Firm*—Horst M. Kasper

(57) **CLAIM**

The ornamental design for a round sheet metal box, as shown and described.

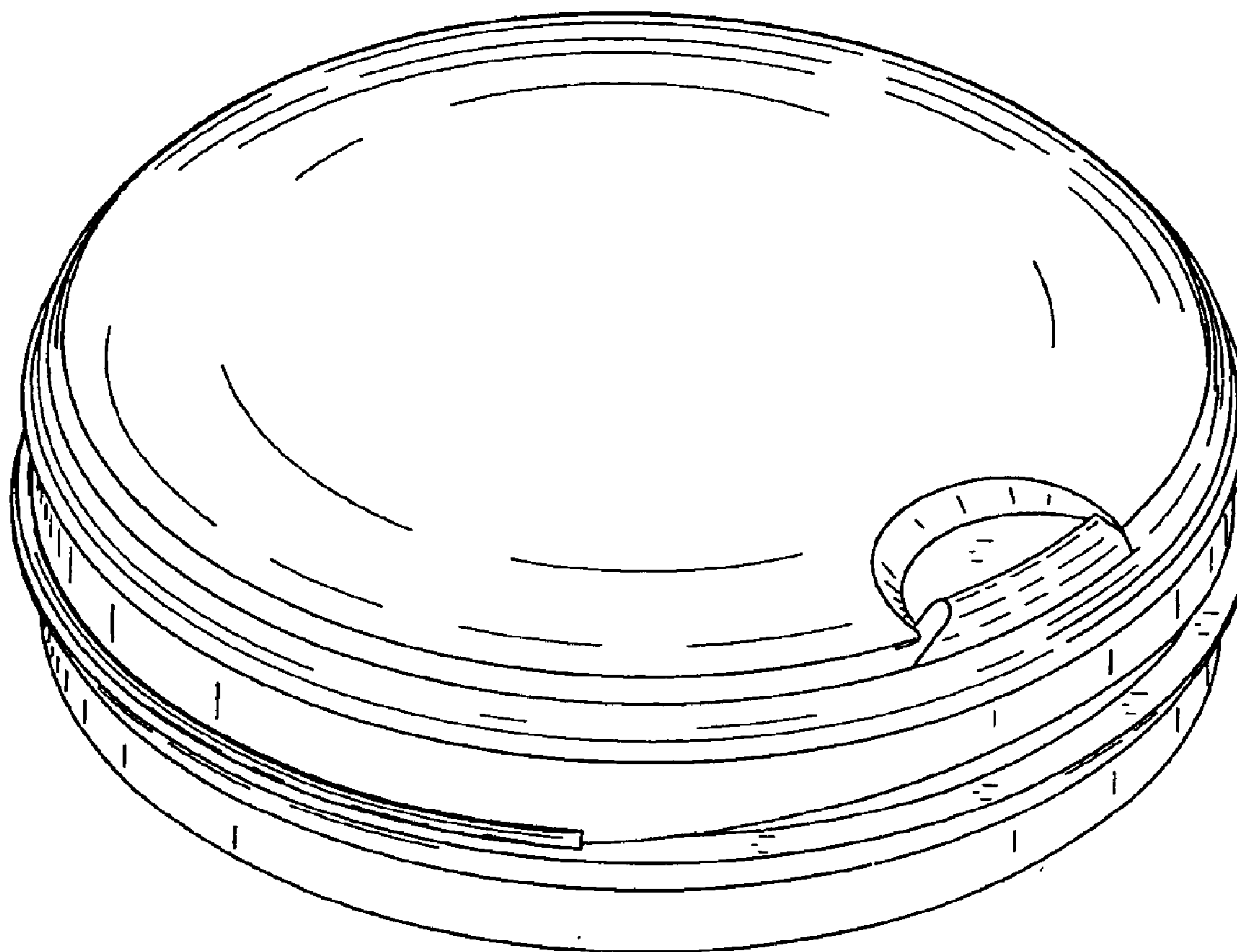
DESCRIPTION

FIG. 1 is a top view of the design of a round sheet metal box
FIG. 2 is a bottom view of the design thereof;
FIG. 3 is a front view of the design thereof;
FIG. 4 is a partial cross section view thereof, taken along
line 4—4 of FIG. 1;
FIG. 5 is a right side view of the design thereof;
FIG. 6 is a perspective view thereof; and,
FIG. 7 is an exploded perspective view of the design.

(56) **References Cited**
U.S. PATENT DOCUMENTS

- D291,843 S * 9/1987 Searle D3/302
- D297,709 S * 9/1988 Willerup D9/549
- D352,896 S * 11/1994 Jones D9/428
- D409,086 S * 5/1999 Brown et al. D9/428
- D431,458 S * 10/2000 Bried et al. D9/339
- D435,961 S * 1/2001 Weinstock D3/215

1 Claim, 7 Drawing Sheets



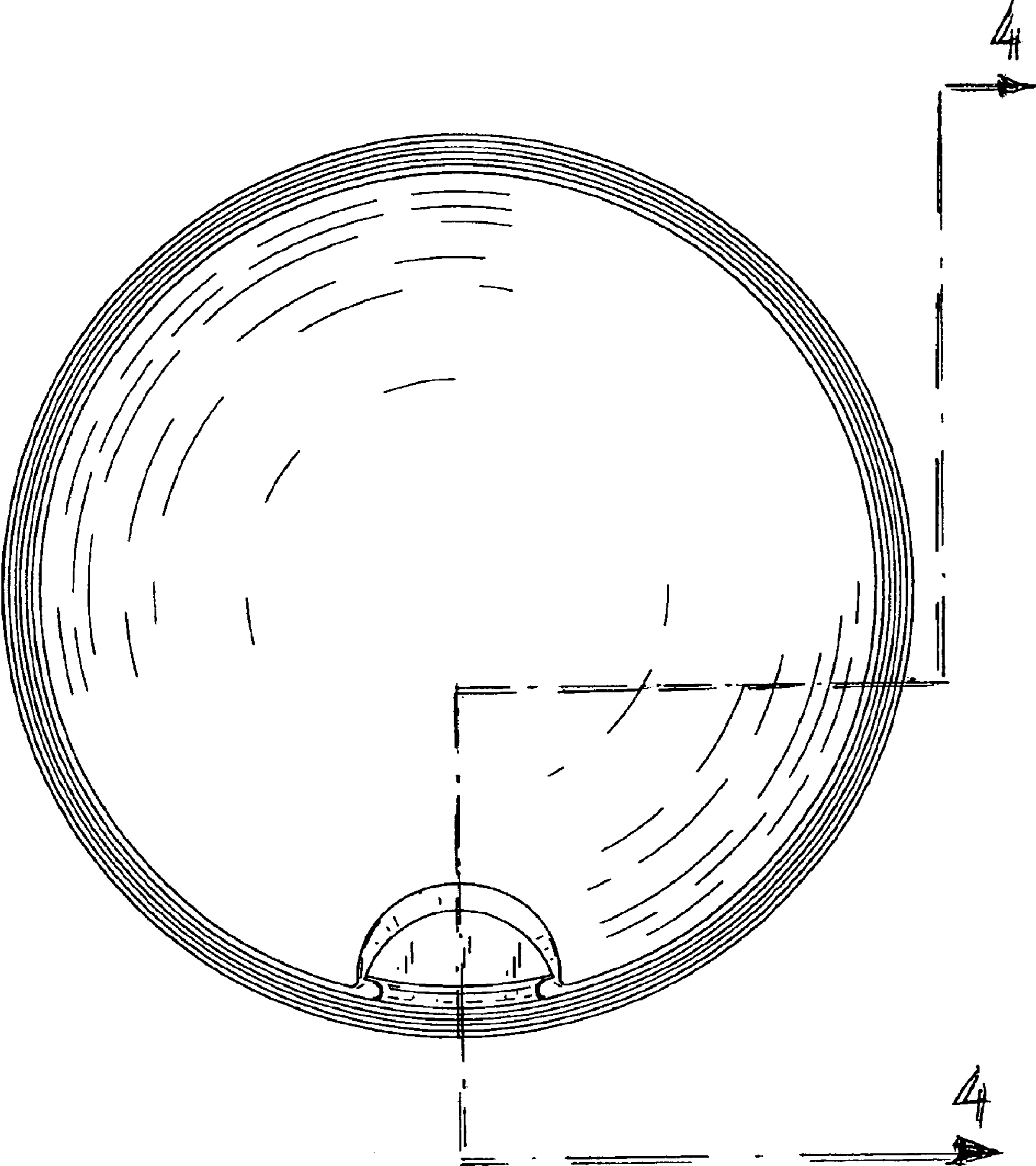


Fig. 1

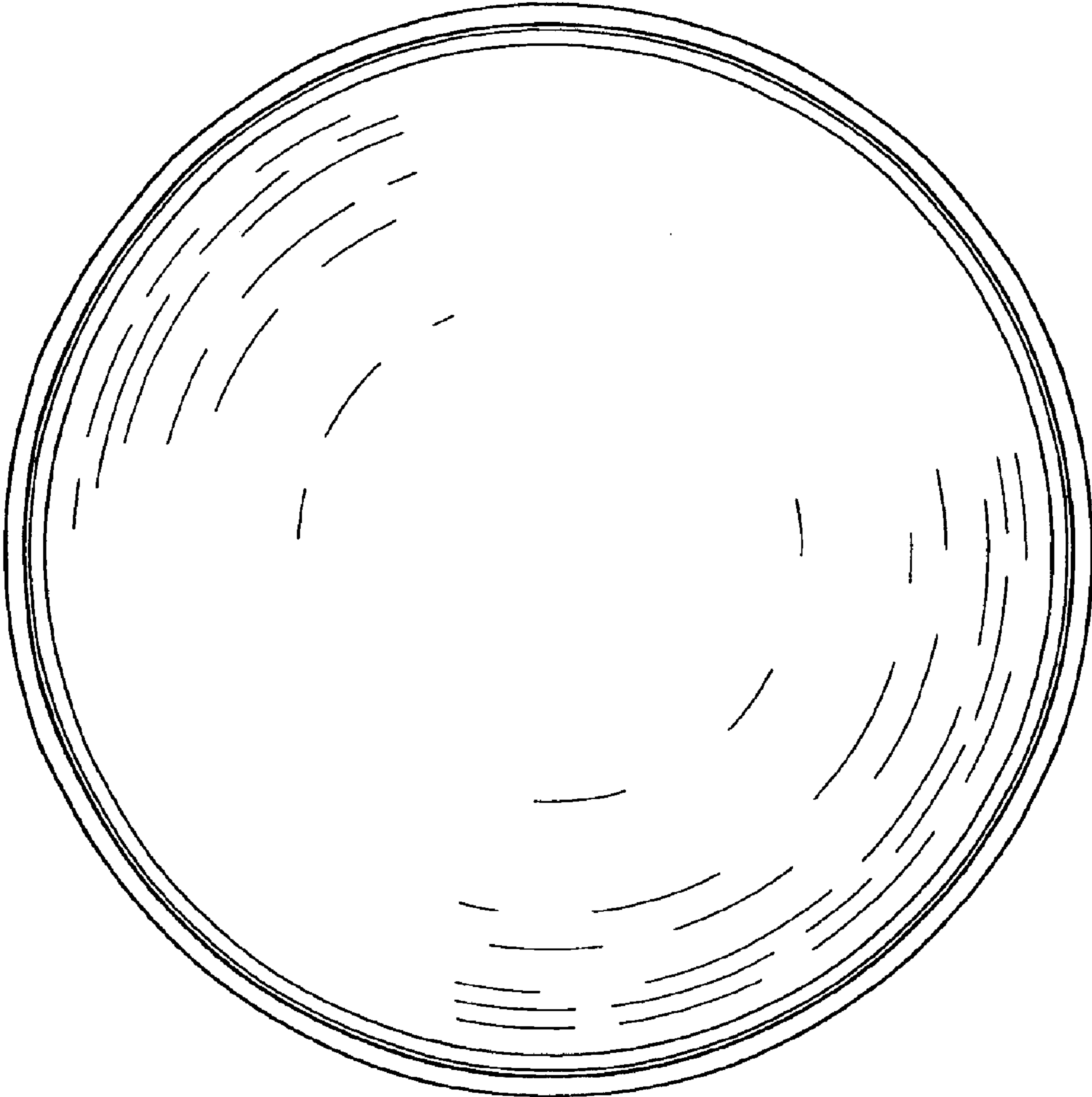


Fig. 2

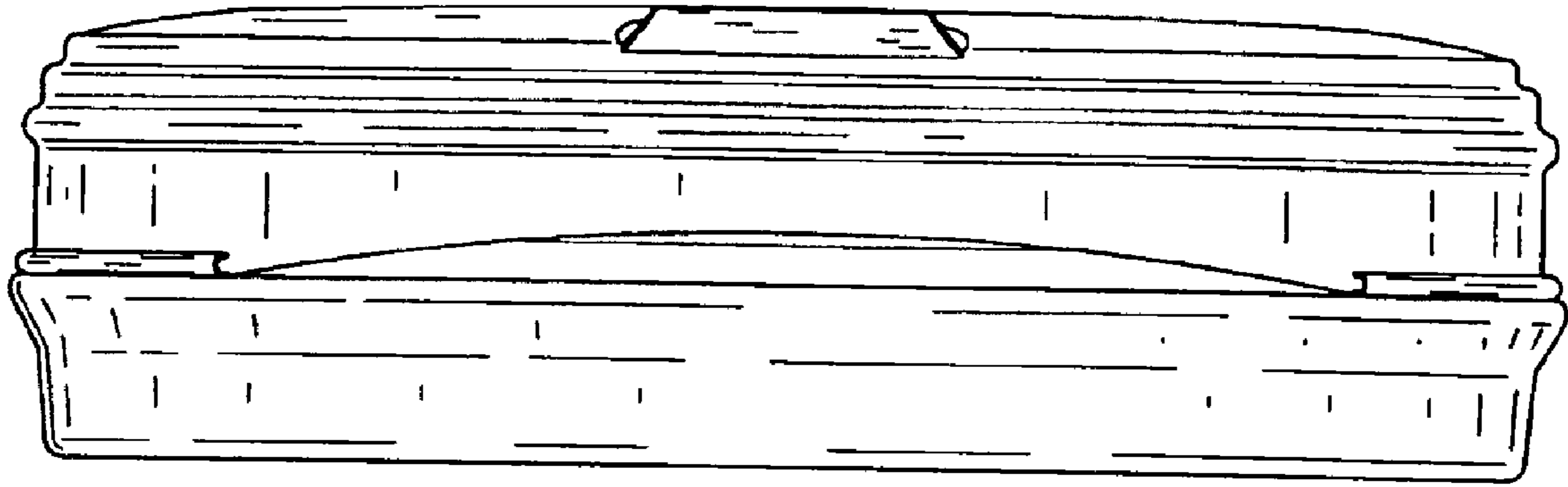


Fig. 3

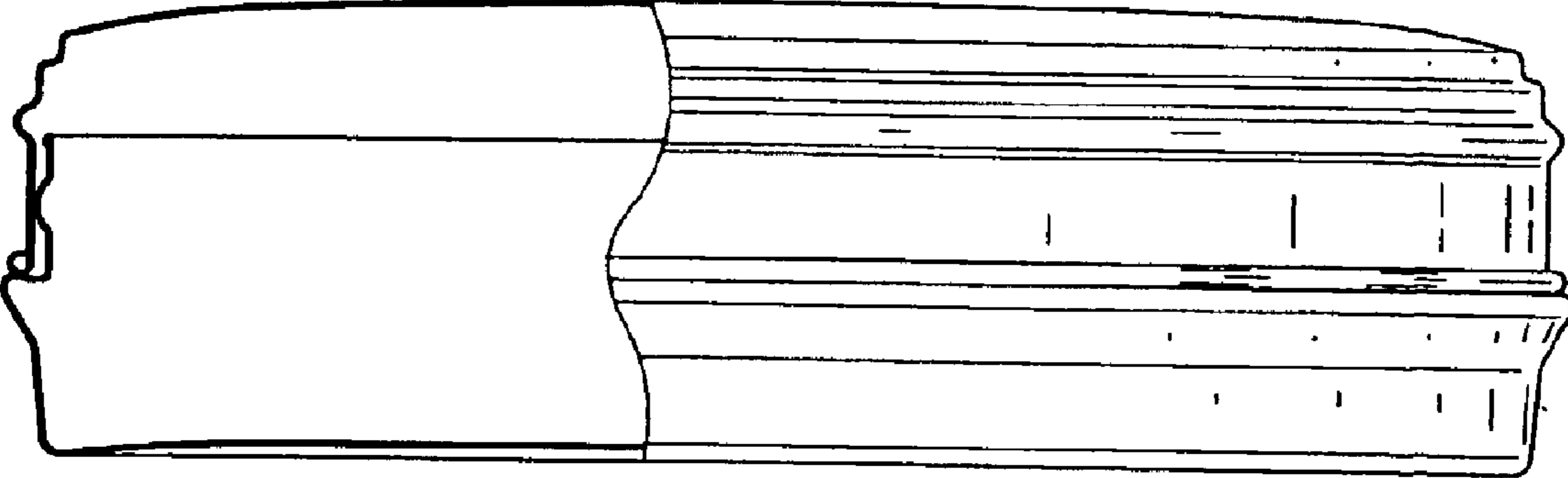


Fig. 4

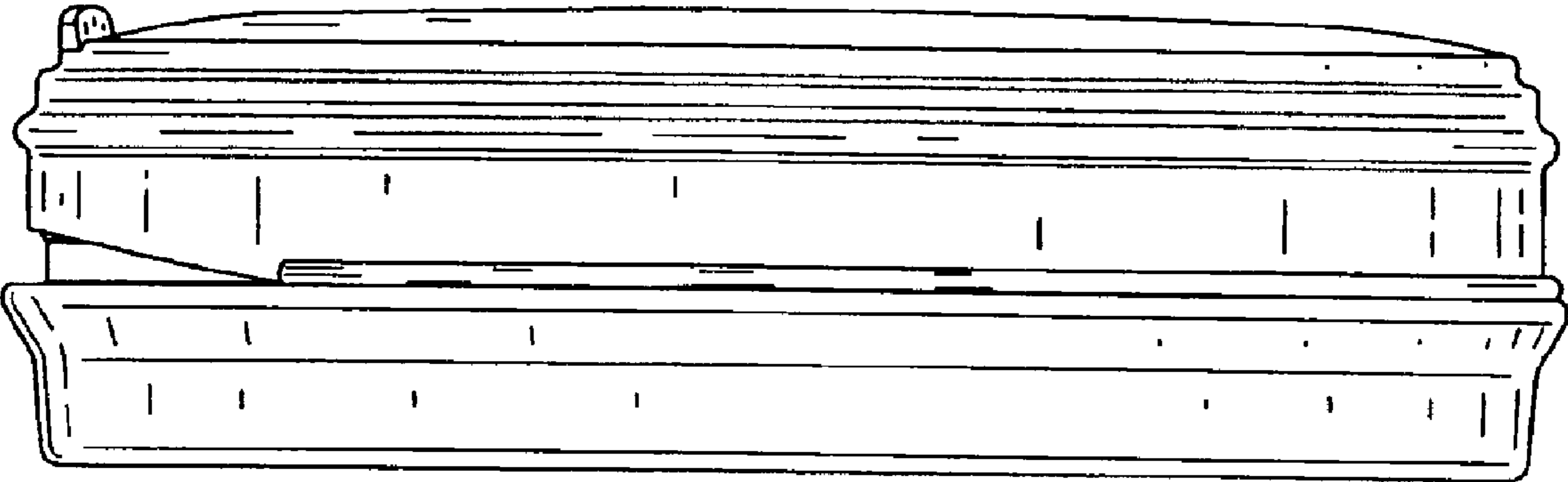


Fig. 5

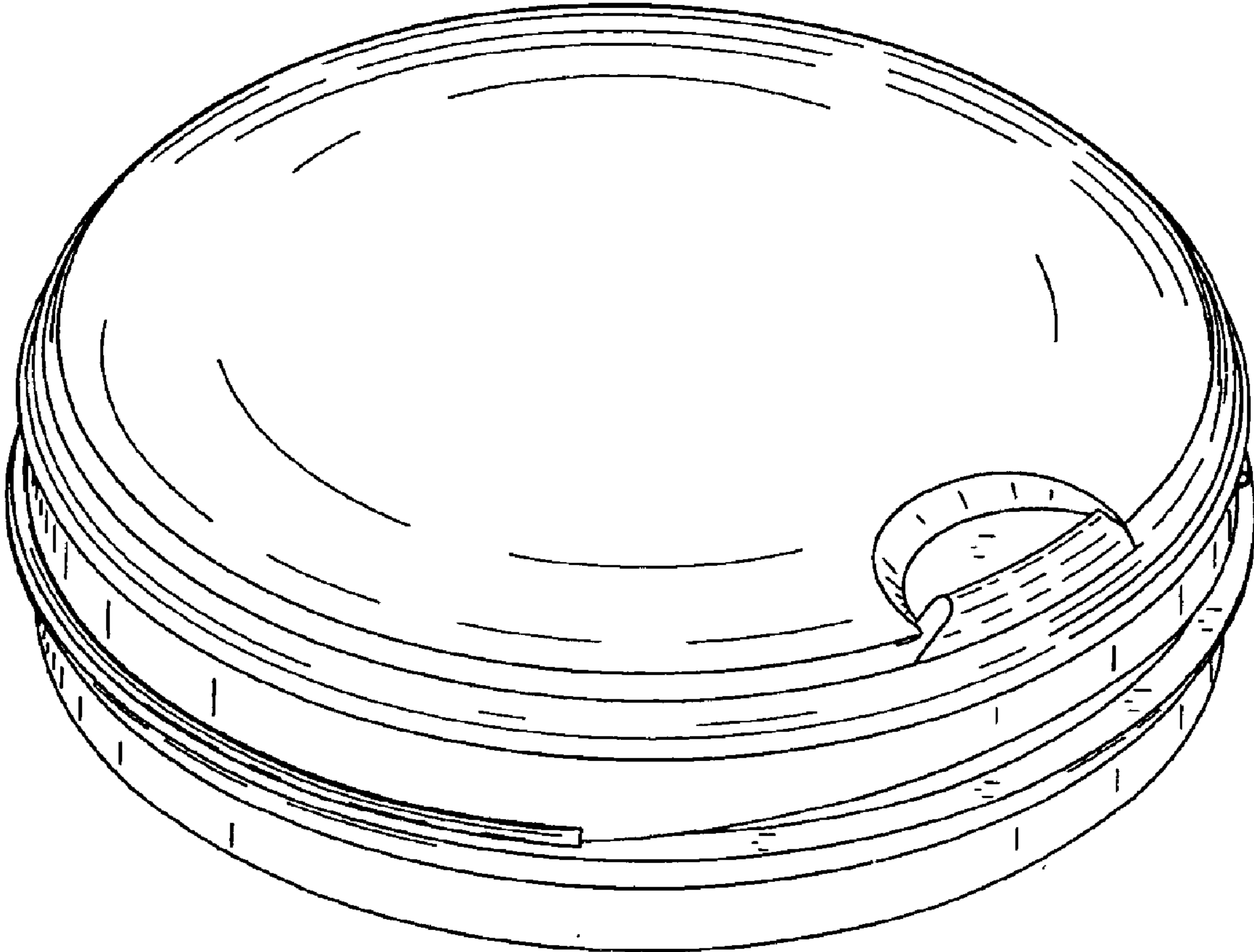


Fig. 6

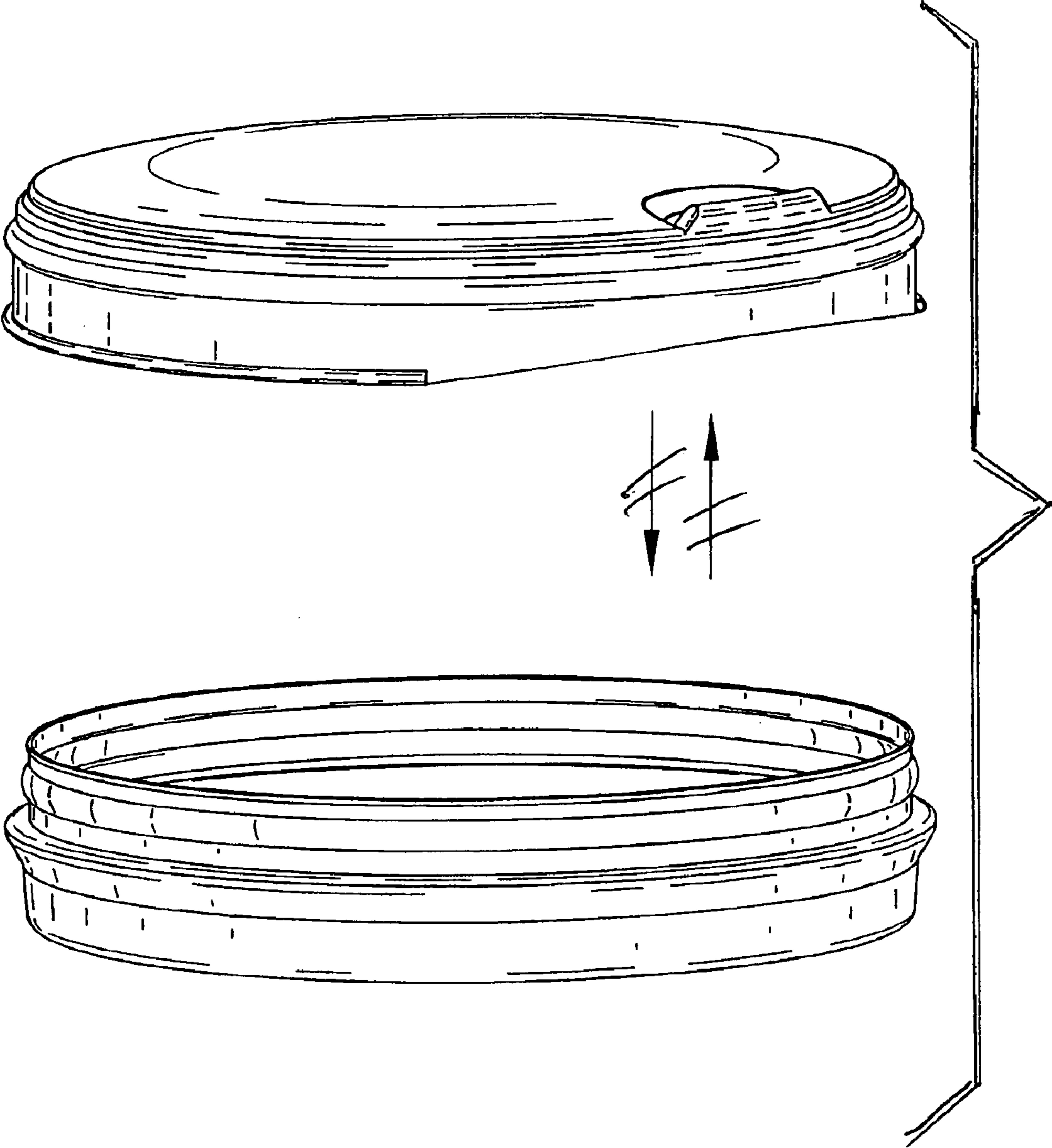


Fig. 7