

US00D502306S

(12) **United States Design Patent**
Stokes

(10) **Patent No.: US D502,306 S**
(45) **Date of Patent: ** Mar. 1, 2005**

(54) **HEAD COVER**

(76) **Inventor: James Stokes, 436 Franklin Blvd.,
Somerset, NJ (US) 08873**

(**) **Term: 14 Years**

(21) **Appl. No.: 29/202,070**

(22) **Filed: Mar. 25, 2004**

(51) **LOC (7) Cl. 02-03**

(52) **U.S. Cl. D2/878; D2/889**

(58) **Field of Search D2/865, 866, 870,
D2/874, 878, 880, 881, 884, 888, 889,
890, 891, 894; D29/105-107, 110; 2/10,
12, 171, 172, 181, 195.1, 195.2, 195.7,
195.8, 200.1, 202, 204, 205, 207, 209.11,
209.13, 410**

(56) **References Cited**

U.S. PATENT DOCUMENTS

260,332 A * 6/1882 Simonson 2/200.1
2,312,606 A * 3/1943 Turchin 2/195.5
D199,931 S * 12/1964 Kline D29/110

D207,900 S * 6/1967 Feldmann D29/105
D214,824 S * 8/1969 Fisher D29/107
4,821,341 A * 4/1989 Baptiste 2/10
5,046,195 A * 9/1991 Koritan 2/172
D477,706 S * 7/2003 Kobayashi D2/878
D482,848 S * 12/2003 McKinney et al. D2/880
D483,928 S * 12/2003 Mansell et al. D2/889

* cited by examiner

Primary Examiner—Mimosa De

(74) *Attorney, Agent, or Firm*—Lawrence J. Gibney, Jr.

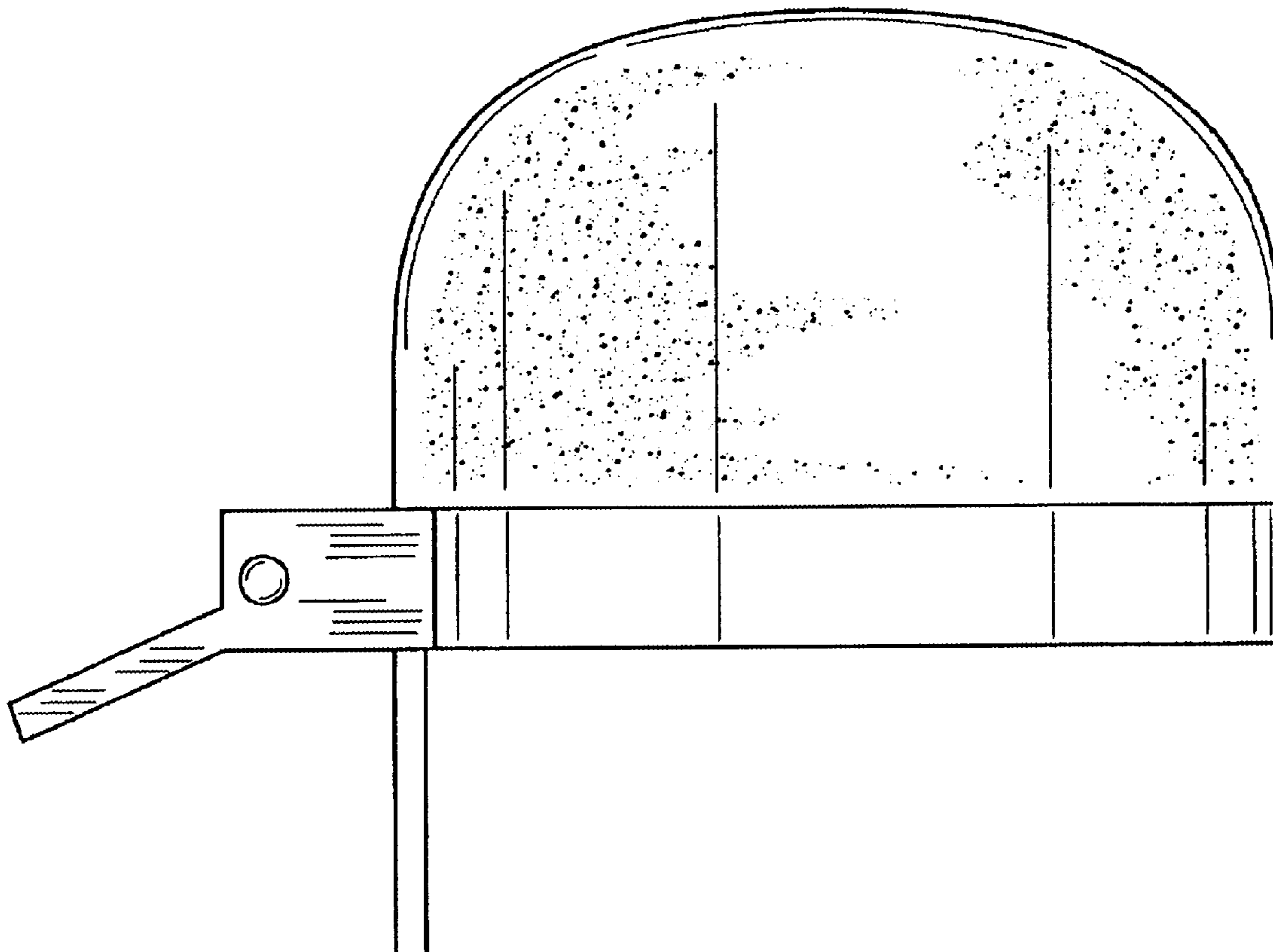
(57) **CLAIM**

The ornamental design for the head cover, as shown and described.

DESCRIPTION

FIG. 1 is a front view of the head cover.
FIG. 2 is a rear view of the head cover.
FIG. 3 is a right side view of the head cover.
FIG. 4 is a left side view of the head cover.
FIG. 5 is a top view of the head cover; and,
FIG. 6 is a bottom view of the head cover.

1 Claim, 4 Drawing Sheets



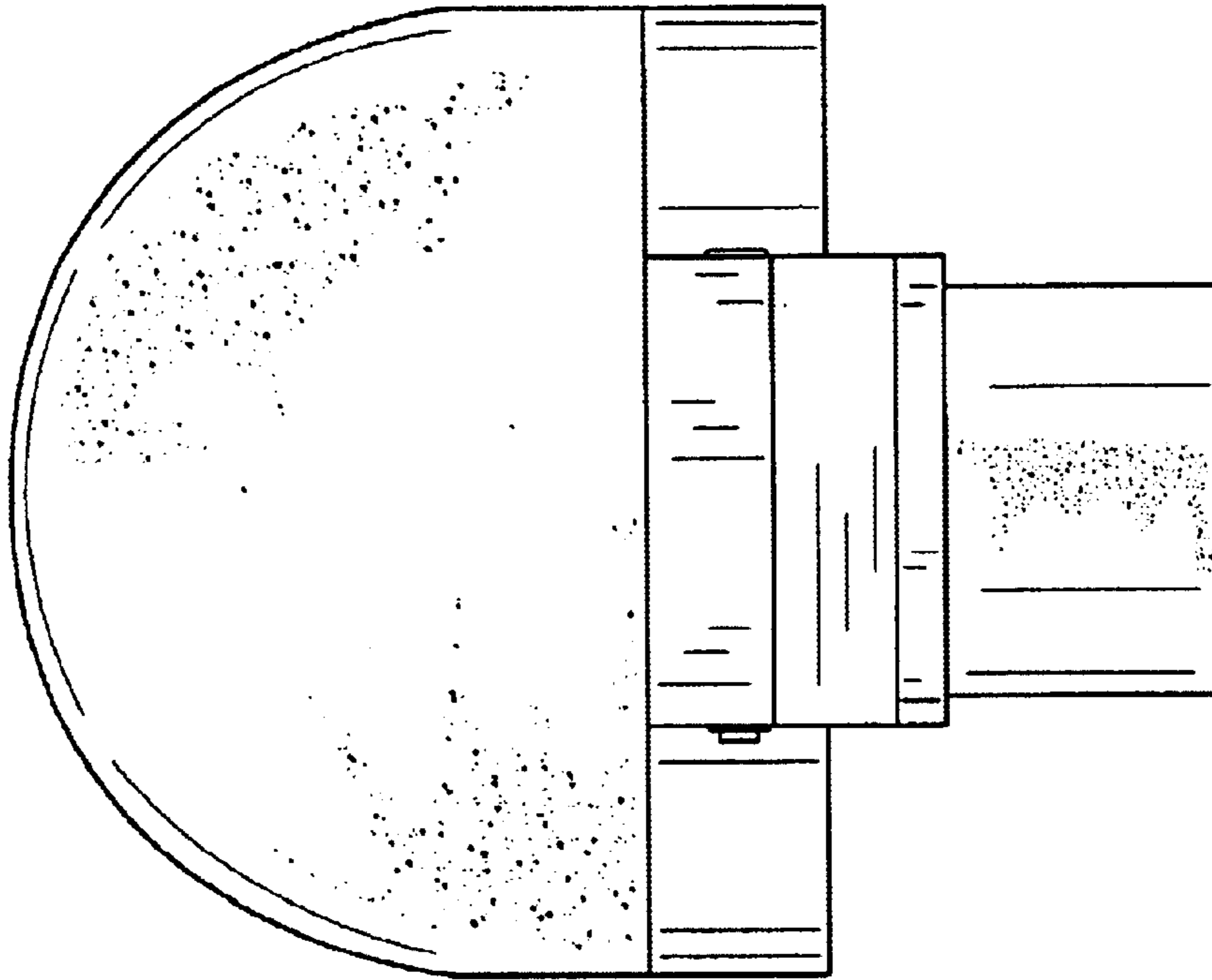


FIG. 1

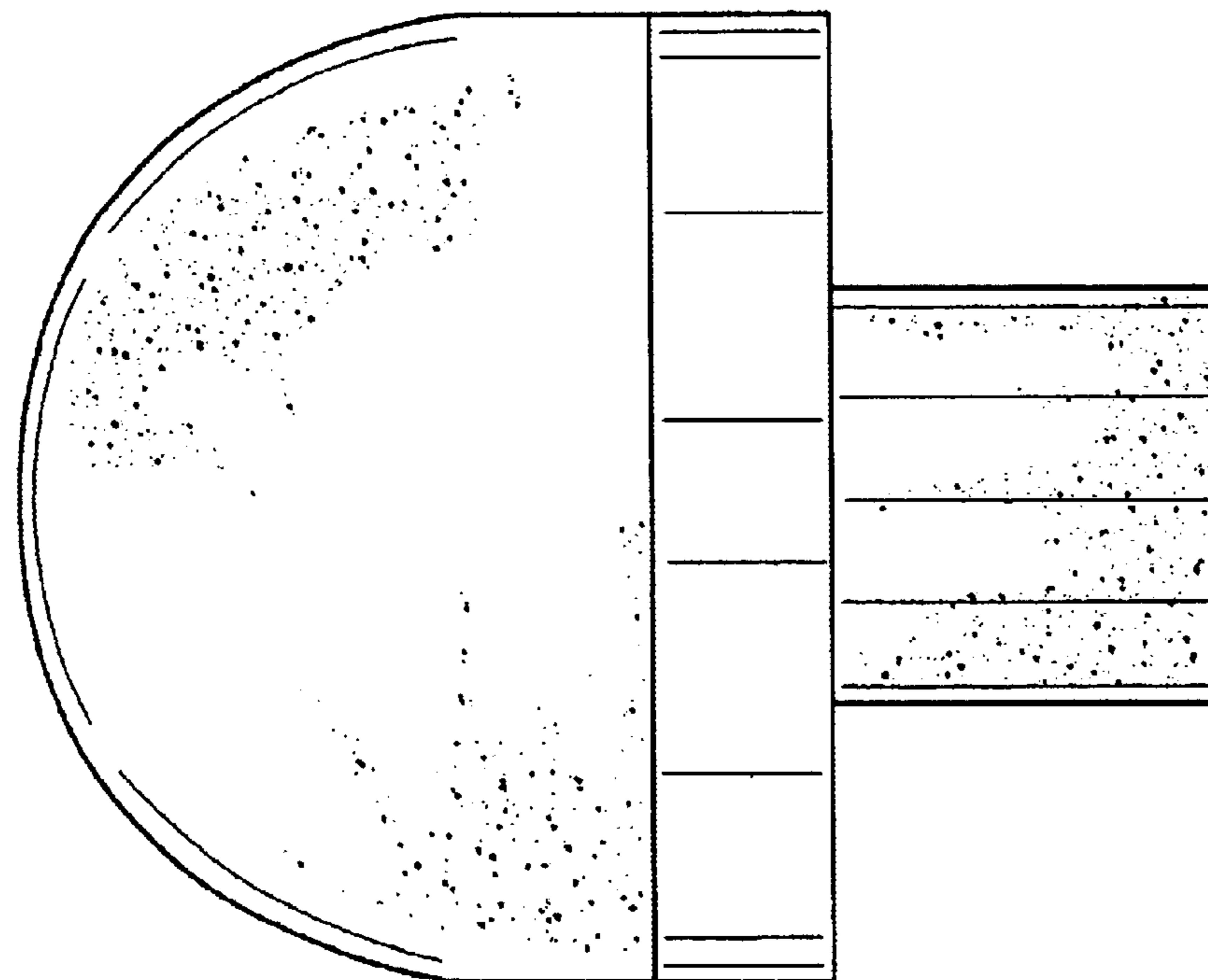


FIG. 2

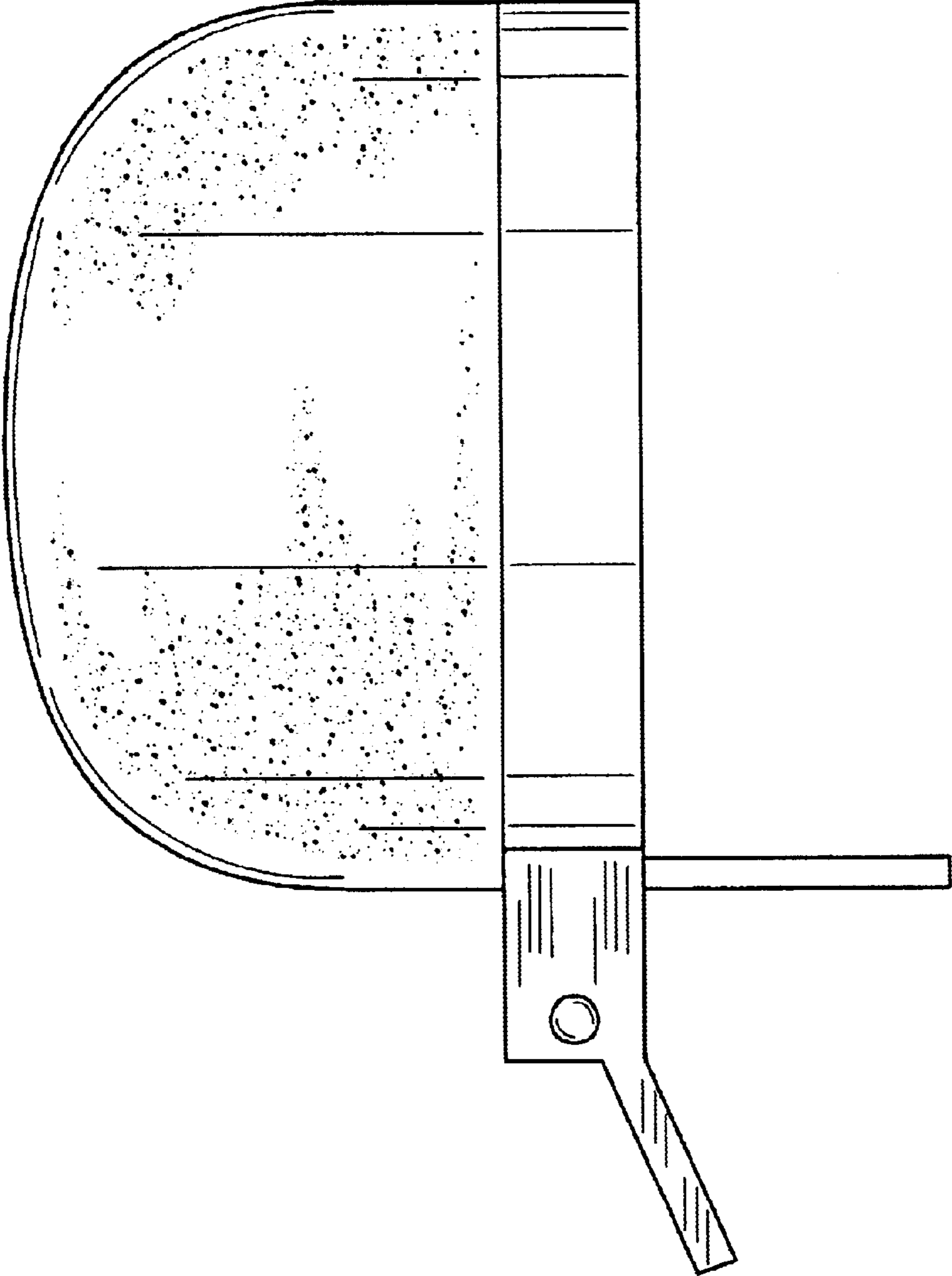


FIG. 3

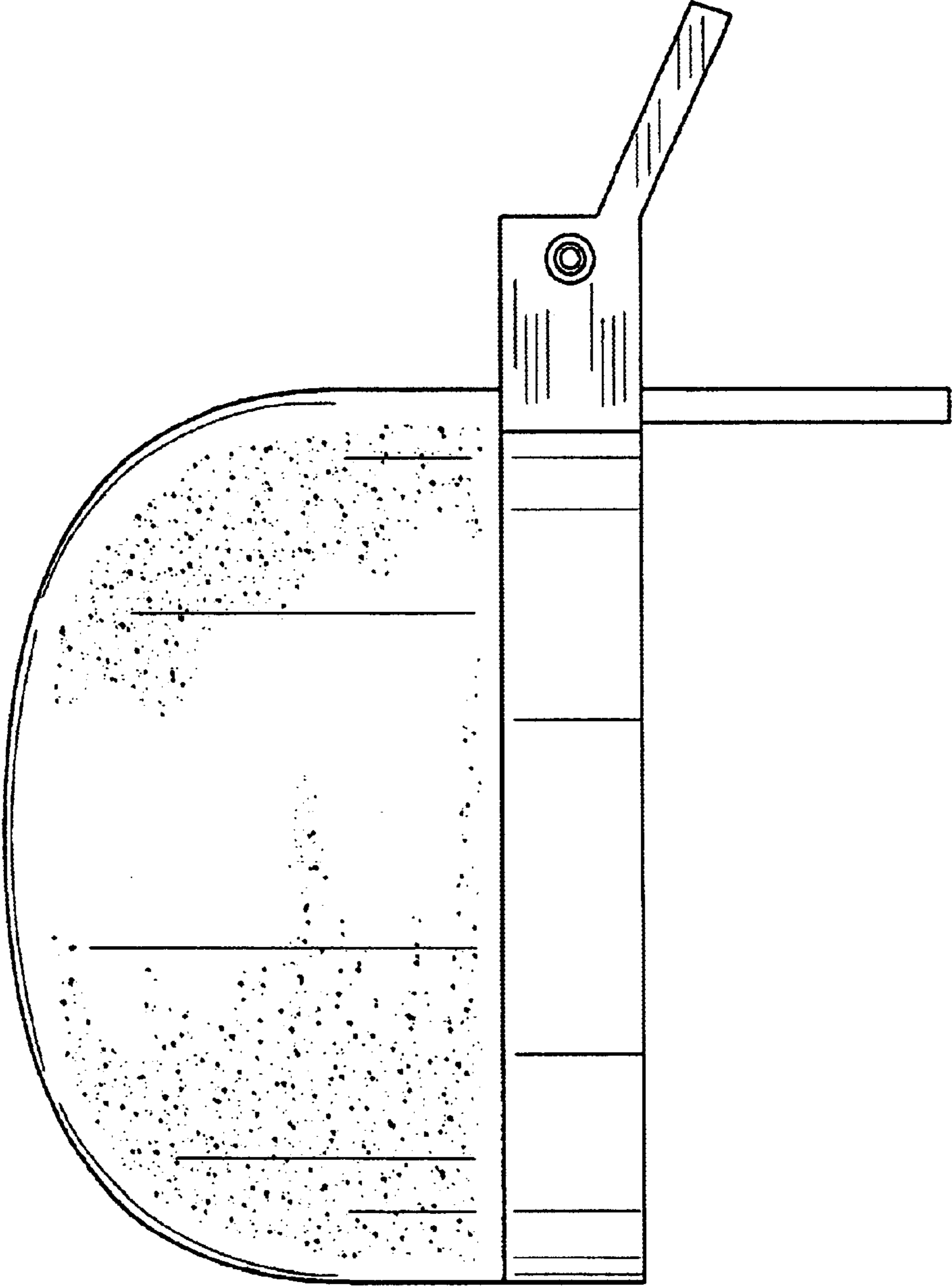


FIG. 4

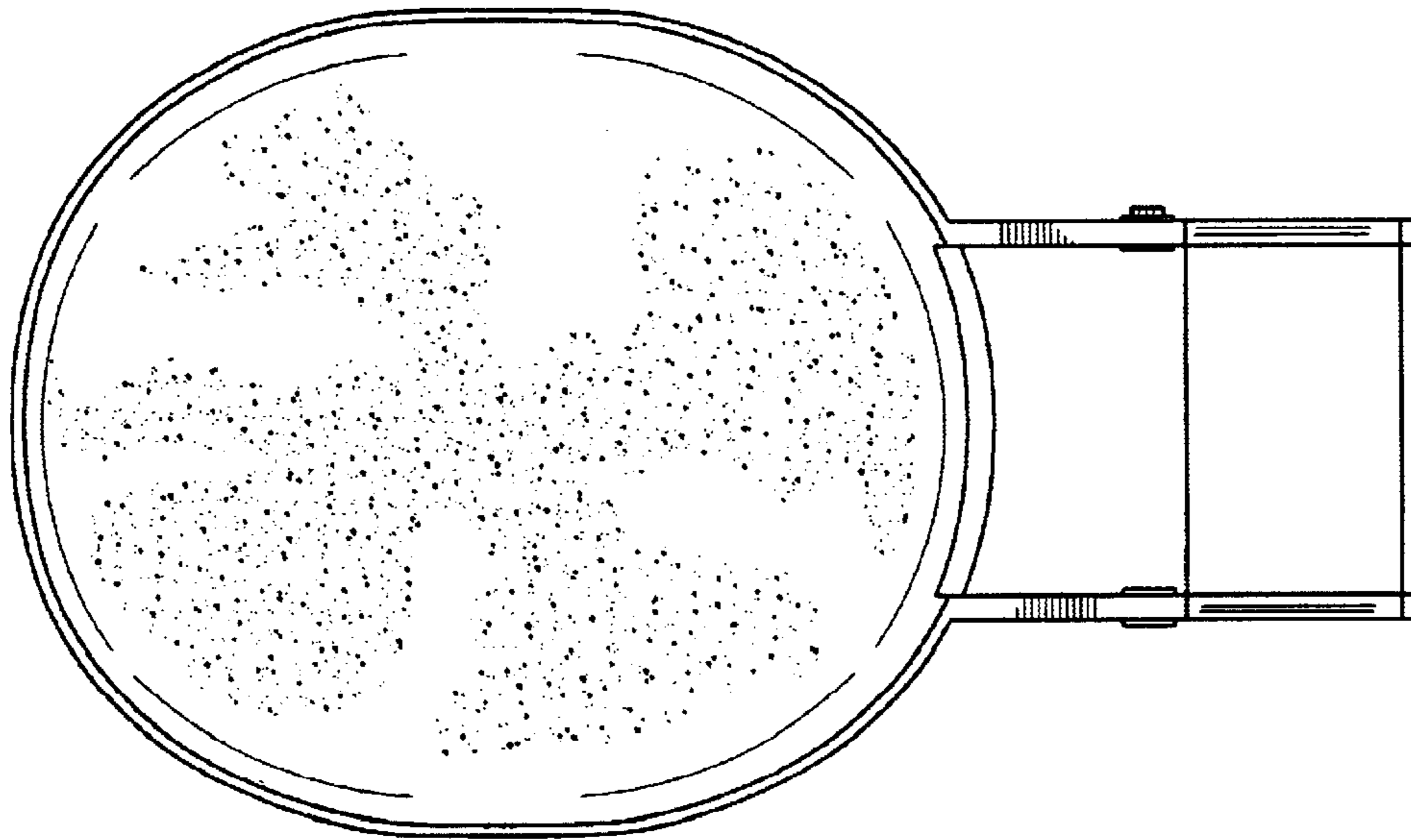


FIG. 6

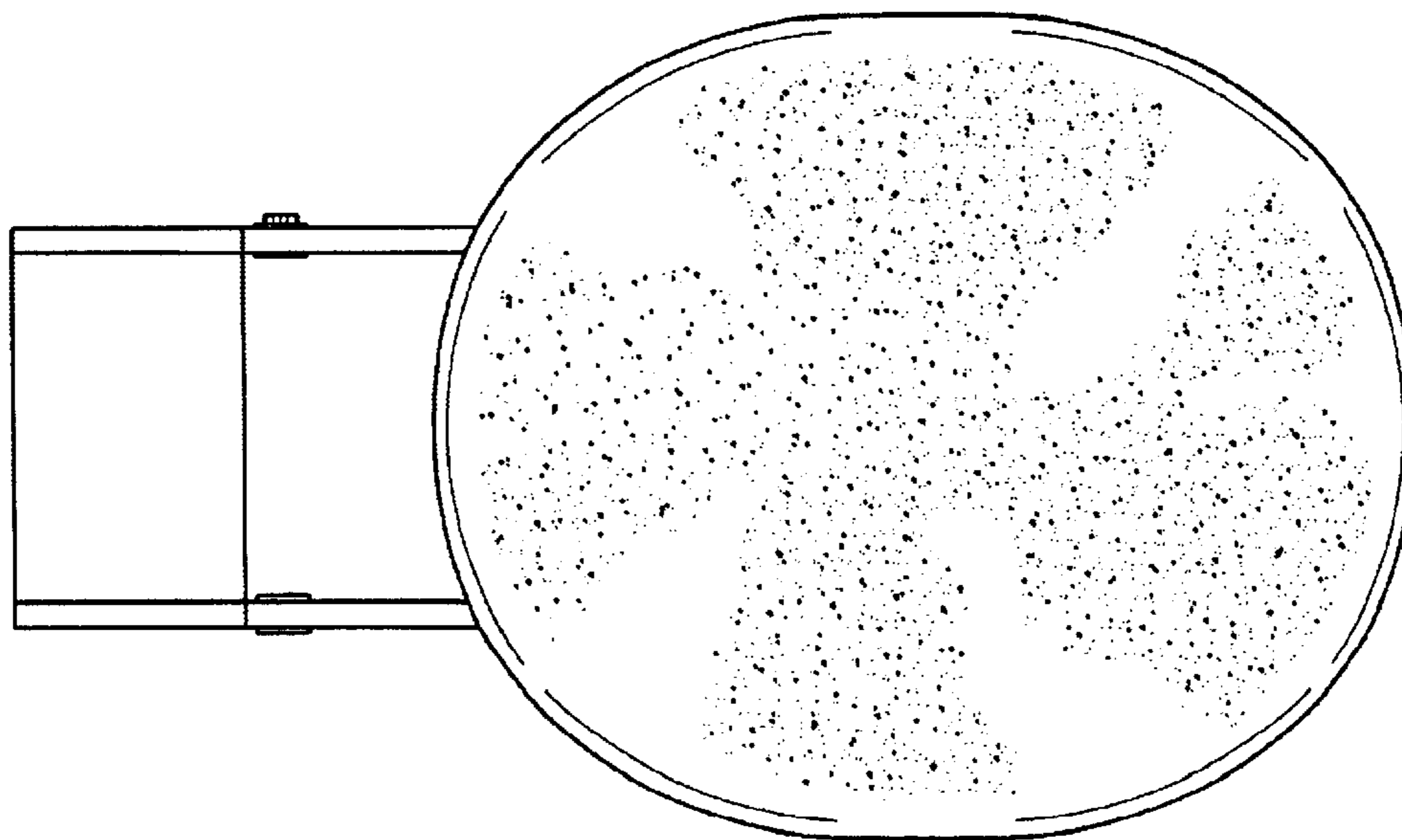


FIG. 5