

US00D502305S

(12) **United States Design Patent**
Browder

(10) **Patent No.:** **US D502,305 S**

(45) **Date of Patent:** **** Feb. 22, 2005**

(54) **GARDEN CART HANDLE**
(75) Inventor: **John Browder**, Roanoke, TX (US)
(73) Assignee: **International Development Corporation**, Southlake, TX (US)
(**) Term: **14 Years**

6,260,864 B1 7/2001 Smith
6,325,395 B1 12/2001 Frymoyer
D454,417 S * 3/2002 Wu D34/15
D462,152 S * 8/2002 Liao D34/15
D488,279 S * 4/2004 Wu D34/15

FOREIGN PATENT DOCUMENTS

DE 3202881 8/1983

* cited by examiner

Primary Examiner—Holly Baynham
(74) *Attorney, Agent, or Firm*—Danamraj & Youst, P.C.;
Kenneth T. Emanuelson

(21) Appl. No.: **29/183,124**
(22) Filed: **Jun. 6, 2003**
(51) **LOC (7) Cl.** **12-02**
(52) **U.S. Cl.** **D34/27**
(58) **Field of Search** D34/12, 20–21,
D34/24–27; 280/47.34, 47.35, 47.26

(57) **CLAIM**

The ornamental design for the garden cart handle, as shown and described.

(56) **References Cited**

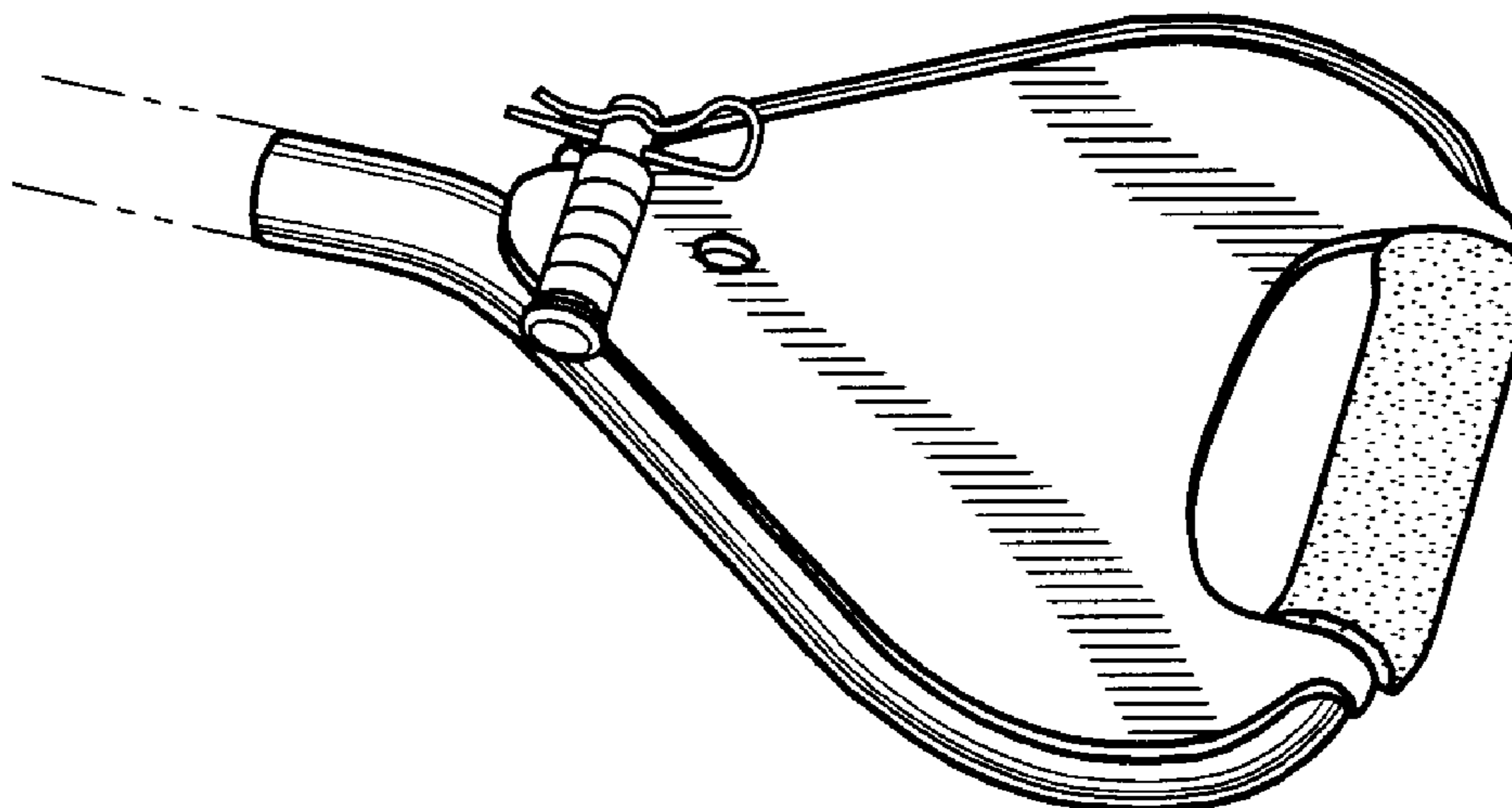
U.S. PATENT DOCUMENTS

| | | | |
|--------------|---------|--------------------|--------|
| 1,954,179 A | 4/1934 | Cheng | |
| 2,725,242 A | 11/1955 | Peplin | |
| 3,423,781 A | 1/1969 | Henson | |
| 3,936,070 A | 2/1976 | Owings | |
| 4,037,853 A | 7/1977 | Sparks | |
| 4,274,649 A | 6/1981 | Vanderhorst et al. | |
| 4,659,124 A | 4/1987 | Hillman | |
| 4,729,574 A | 3/1988 | Tipke | |
| 4,789,171 A | 12/1988 | Porter | |
| 4,991,865 A | 2/1991 | Francisco | |
| 5,319,829 A | 6/1994 | Manuel | |
| 5,340,134 A | 8/1994 | Dodson | |
| 5,489,109 A | 2/1996 | Murphy | |
| 5,599,033 A | 2/1997 | Kolbus et al. | |
| 5,645,292 A | 7/1997 | McWilliams et al. | |
| 5,653,458 A | 8/1997 | Chaparian | |
| D392,083 S * | 3/1998 | Wu | D34/27 |
| 5,816,586 A | 10/1998 | Richmond | |
| 5,915,706 A | 6/1999 | Mosley | |
| 6,056,306 A | 5/2000 | Rust et al. | |
| 6,148,477 A | 11/2000 | Cheng | |
| 6,234,512 B1 | 5/2001 | Bettenhausen | |

DESCRIPTION

FIG. 1 is a three-dimensional view of a garden cart handle of a new design in a first configuration; FIG. 2 is a top view thereof; FIG. 3 is a right side view thereof; FIG. 4 is a back view thereof; FIG. 5 is a left side view thereof; FIG. 6 is a front view thereof; FIG. 7 is a bottom view thereof; FIG. 8 is a three-dimensional view of the garden cart handle of FIGS. 1–7 in a second configuration; FIG. 9 is a top view thereof; FIG. 10 is a right side view thereof; FIG. 11 is a back view thereof; FIG. 12 is a left side view thereof; FIG. 13 is a front view thereof; and, FIG. 14 is a bottom view thereof. The broken line showing of a portion of a handle shaft is for illustrative purposes only and forms no part of the claimed design.

1 Claim, 2 Drawing Sheets



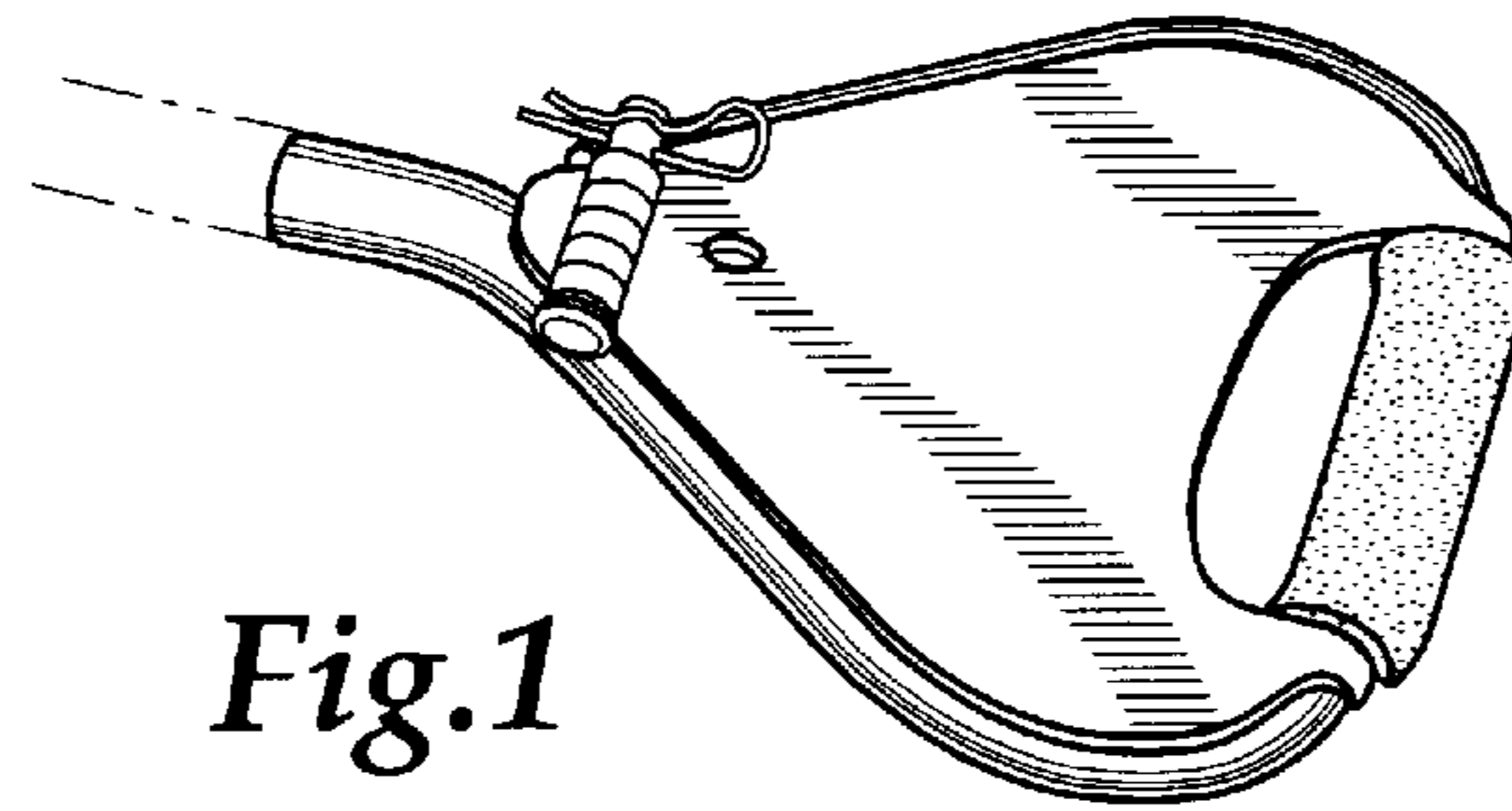


Fig.1

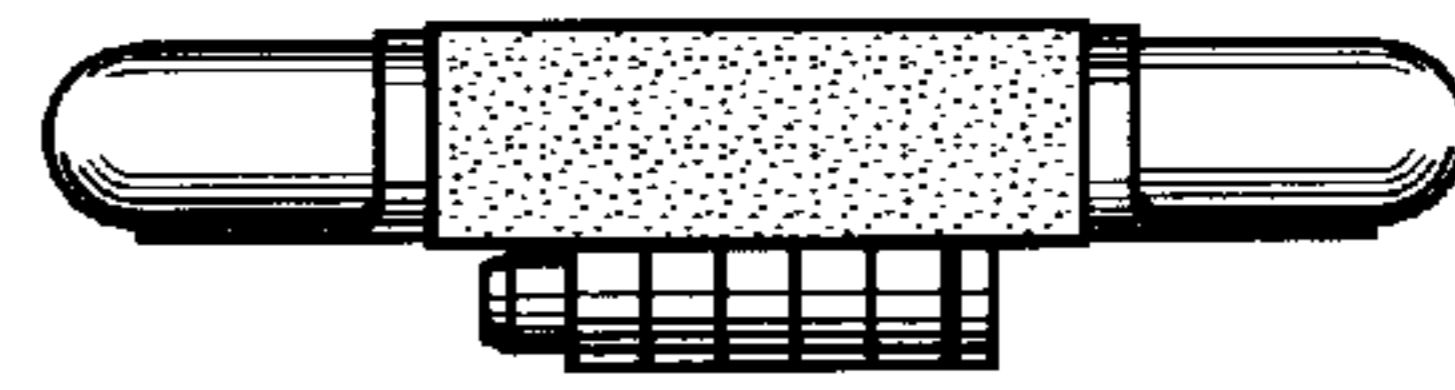


Fig.2

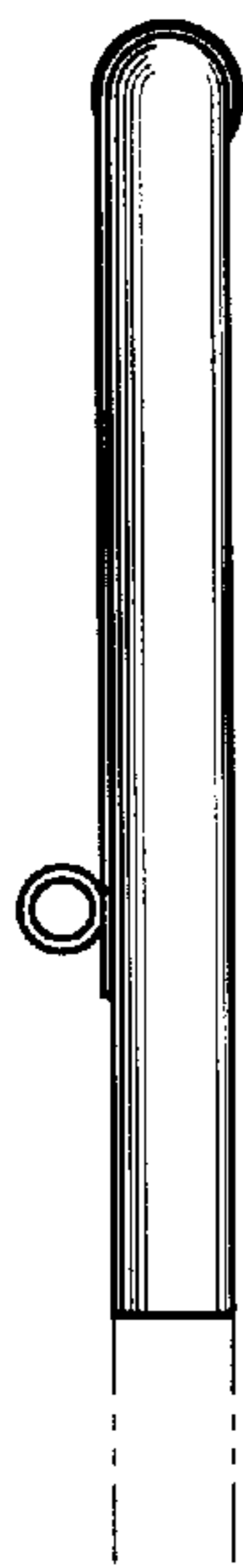


Fig.3

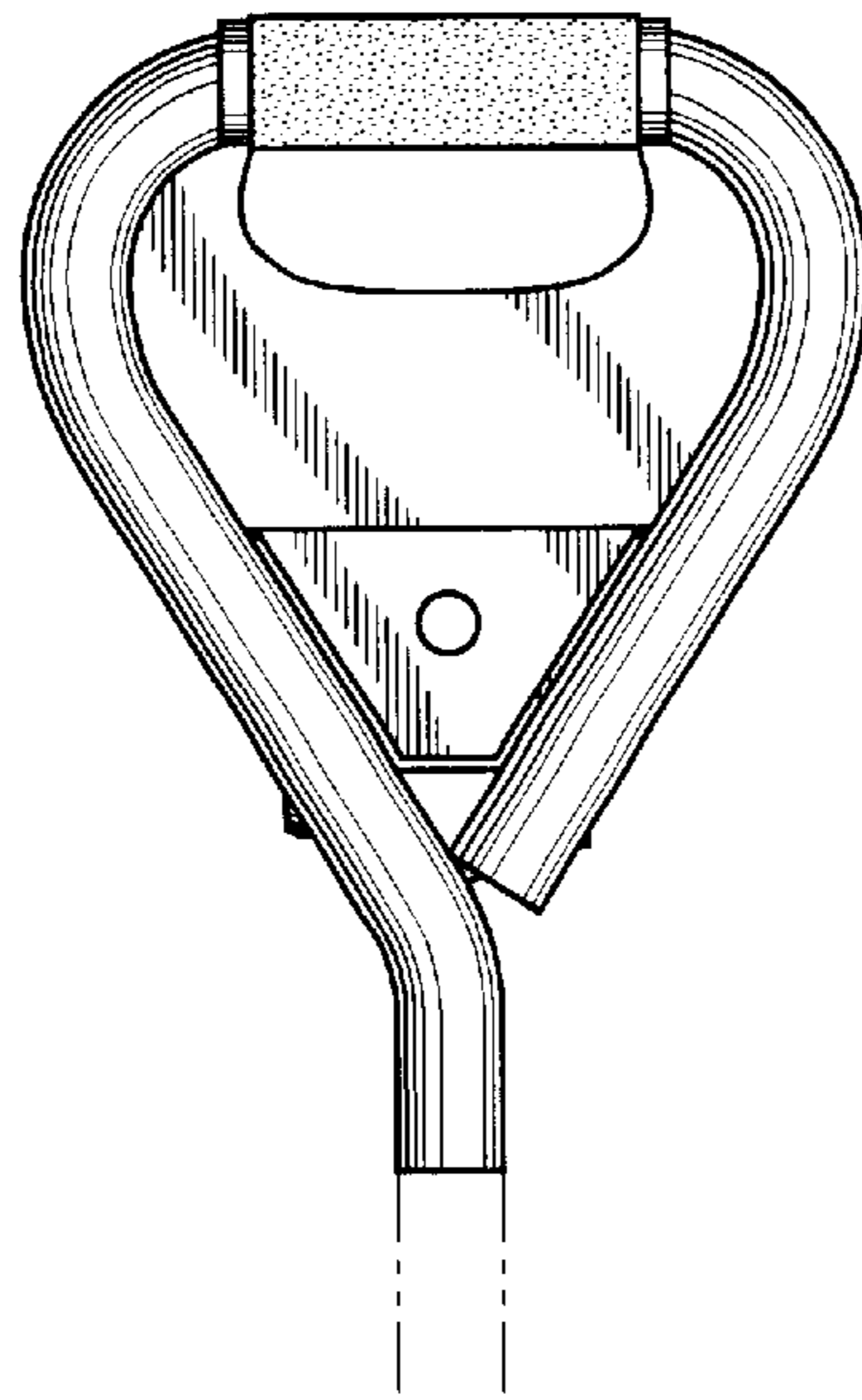


Fig.4

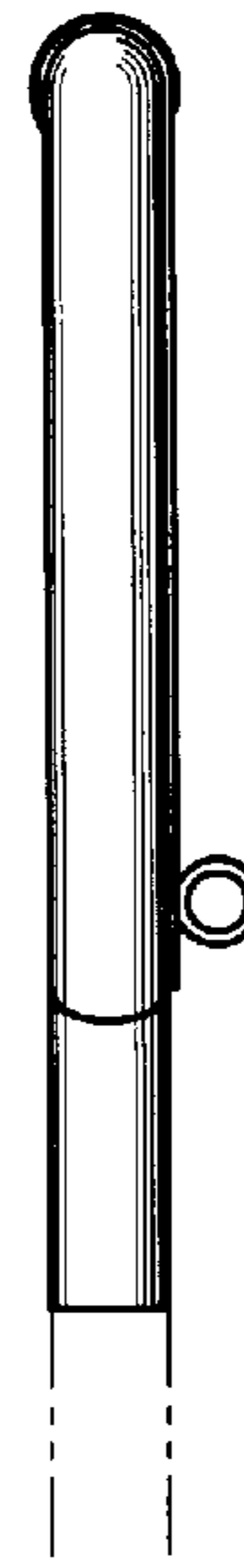


Fig.5

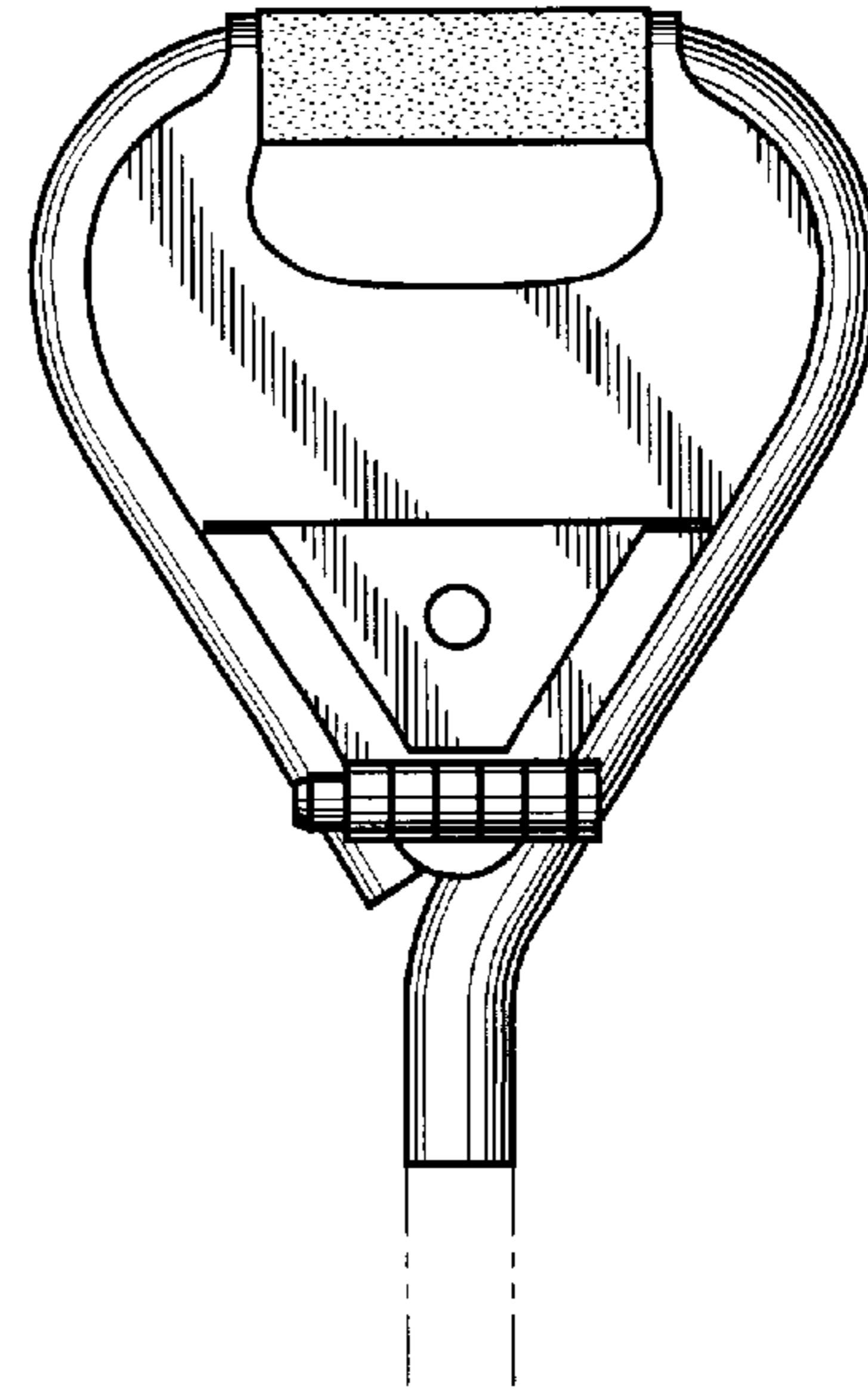


Fig.6



Fig.7

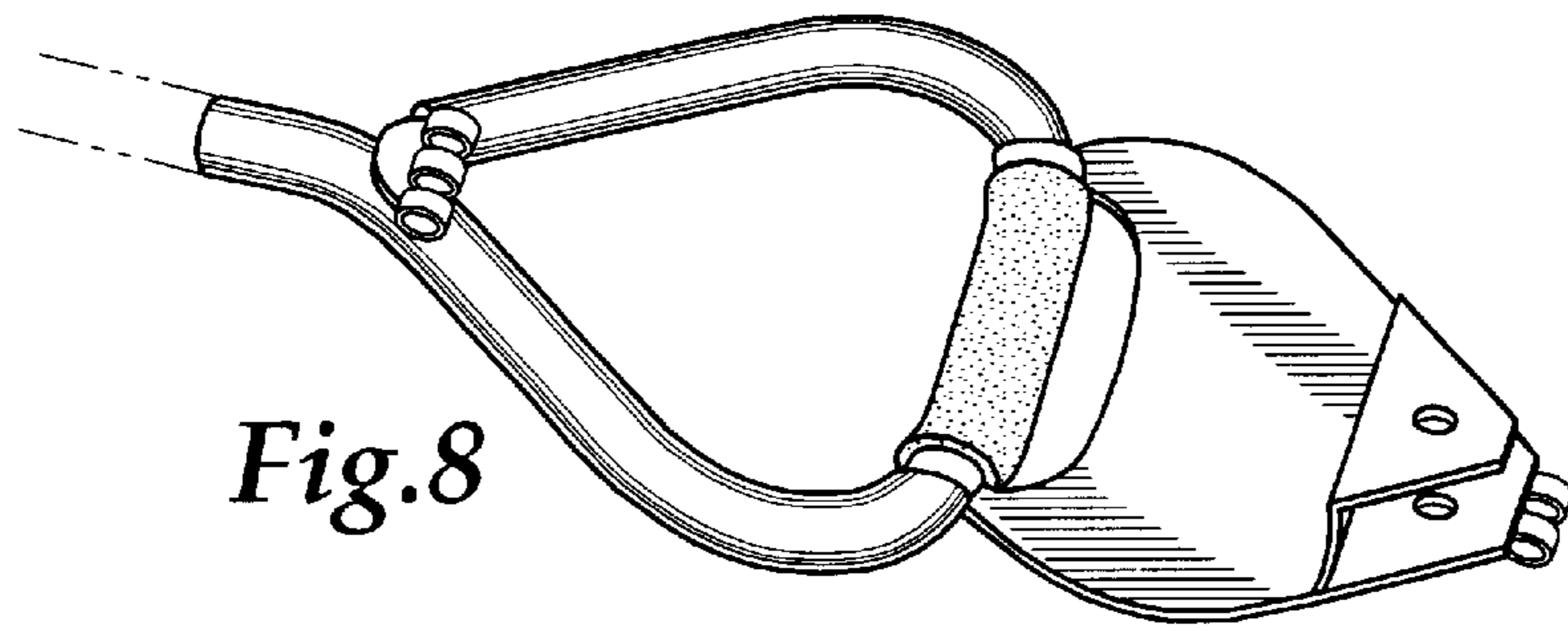


Fig. 8

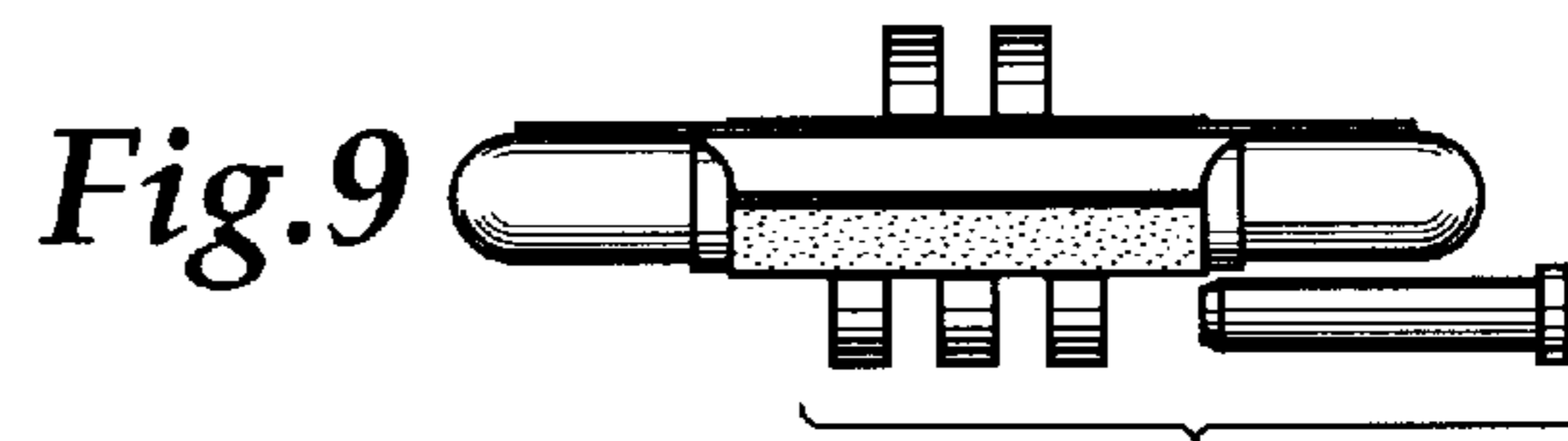


Fig. 9

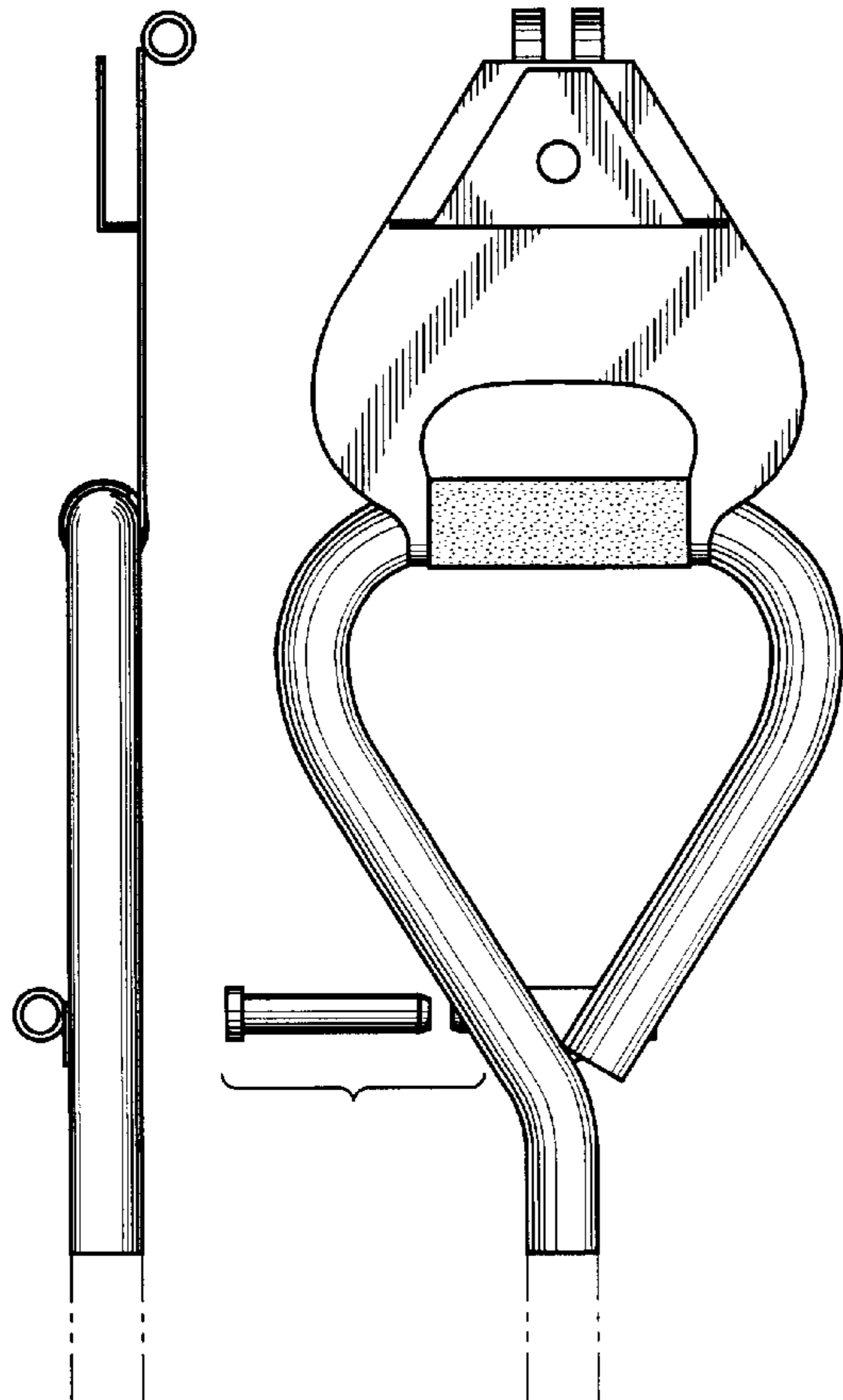


Fig. 10

Fig. 11

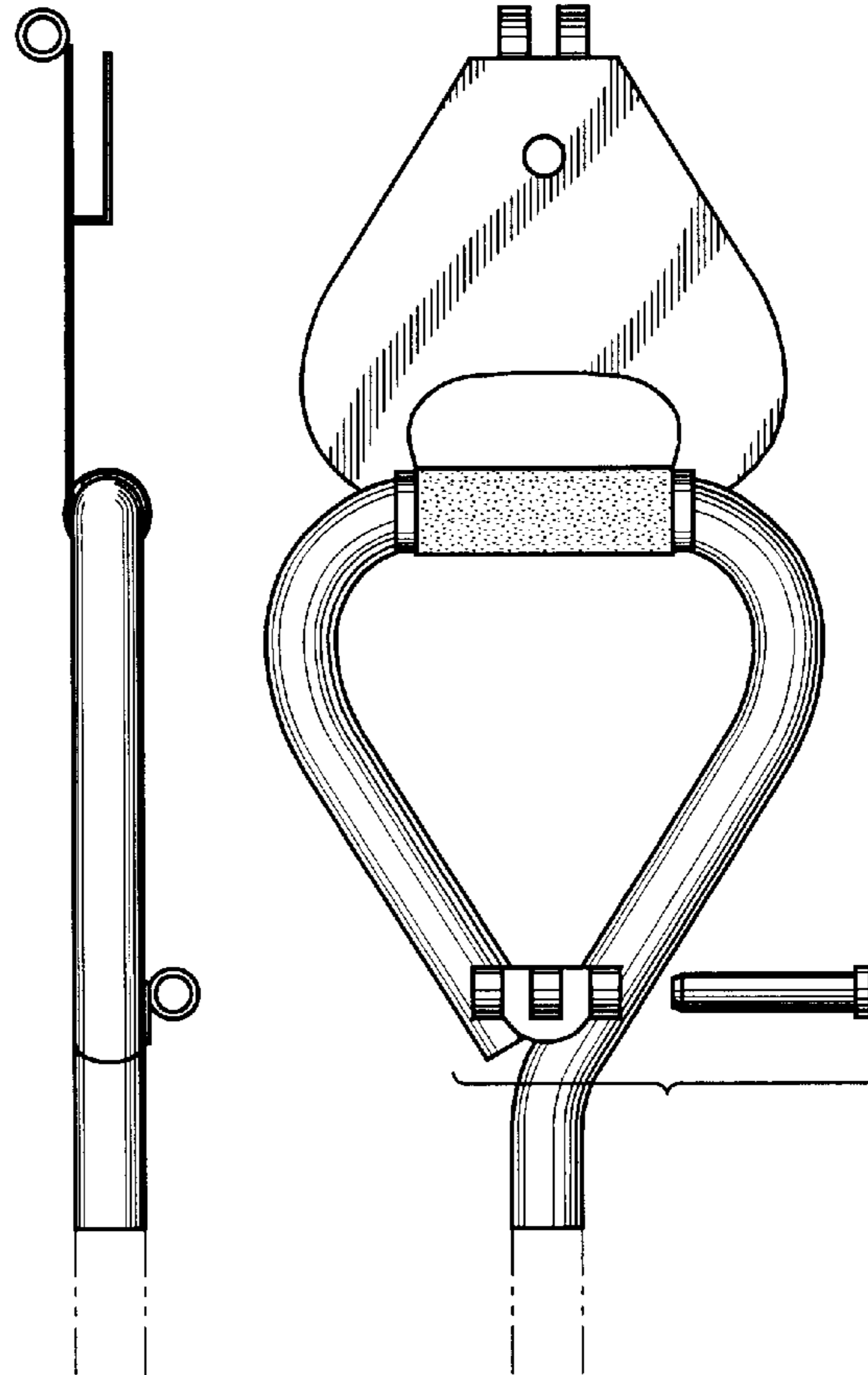


Fig. 12

Fig. 13

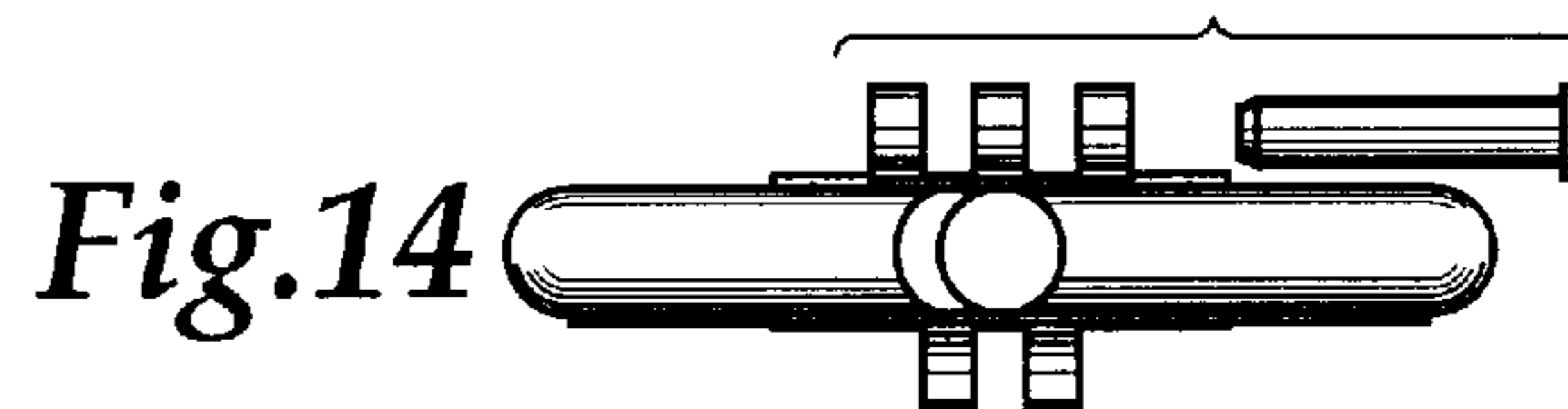


Fig. 14