



US00D502304S

(12) **United States Design Patent** (10) **Patent No.:** **US D502,304 S**
Leach (45) **Date of Patent:** **** Feb. 22, 2005**

(54) **TRANSPORTER FOR BASES FOR BASEBALL AND SOFTBALL GAMES**

(76) Inventor: **Eric J. Leach**, 1402 Hull La., Altadena, CA (US) 91001

(**) Term: **14 Years**

(21) Appl. No.: **29/185,238**

(22) Filed: **Jun. 25, 2003**

(51) **LOC (7) Cl.** **12-02**

(52) **U.S. Cl.** **D34/24**

(58) **Field of Search** D34/12-24; 280/33.991, 280/33.992, 33.993, 47.18, 47.26, 47.34, 651

(56) **References Cited**

U.S. PATENT DOCUMENTS

3,876,223	A	4/1975	O'Reilly et al.
4,142,736	A	3/1979	Ackerfeldt et al.
4,227,710	A	10/1980	Laub
D340,565	S	10/1993	Klopfenstein
5,427,393	A	6/1995	Kriebel
5,445,398	A	8/1995	Pierce
5,582,421	A	12/1996	Liu
5,626,352	A	5/1997	Grace
6,039,332	A	3/2000	Austin
6,193,264	B1	2/2001	Seon
2003/0020250	A1	1/2003	Dombroskie et al.

OTHER PUBLICATIONS

AU 144956 S (Alf Kalkaus) Jul. 2, 2001 [online] [Retrieved on Aug. 9, 2004]. Retrieved from Australian patent database.*

* cited by examiner

Primary Examiner—Holly Baynham
(74) *Attorney, Agent, or Firm*—Christie, Parker & Hale, LLP

(57) **CLAIM**

The ornamental design for a transporter for bases for baseball and softball games, as shown and described.

DESCRIPTION

FIG. 1 is a perspective view of the transporter according to the present invention showing several bases in phantom broken lines mounted on the transporter; and the handle of the transporter in a side oriented position;

FIG. 2 is a side elevation view thereof with the handle in a side oriented position opposite the direction shown in FIG. 1;

FIG. 3 is a front elevation view thereof with the handle in the same position as FIG. 2;

FIG. 4 is a side elevation view thereof taken from the side opposite FIG. 2 with the handle in the same position as FIG. 2;

FIG. 5 is a rear elevation view thereof with the handle in the same position as shown in FIG. 2;

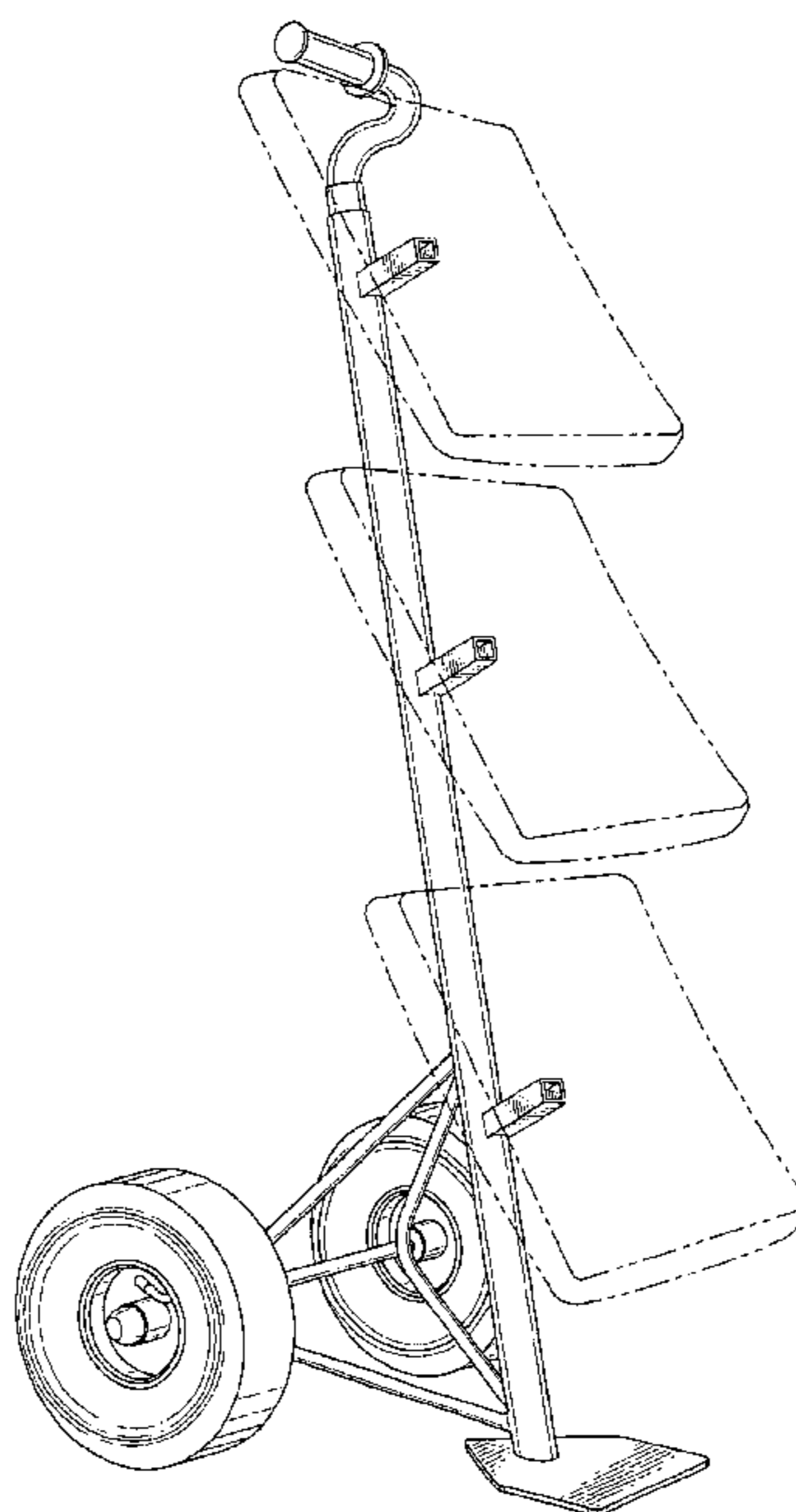
FIG. 6 is a top plan view thereof with the handle in the same position as shown in FIG. 2;

FIG. 7 is a side elevation view as in FIG. 2 with the handle oriented toward the front of the transporter; and,

FIG. 8 is a side elevation view as shown in FIG. 2 with the handle oriented toward the rear of the transporter.

The broken lines showing the bases in FIG. 1 are for illustrative purposes only and form no part of the claimed design.

1 Claim, 8 Drawing Sheets



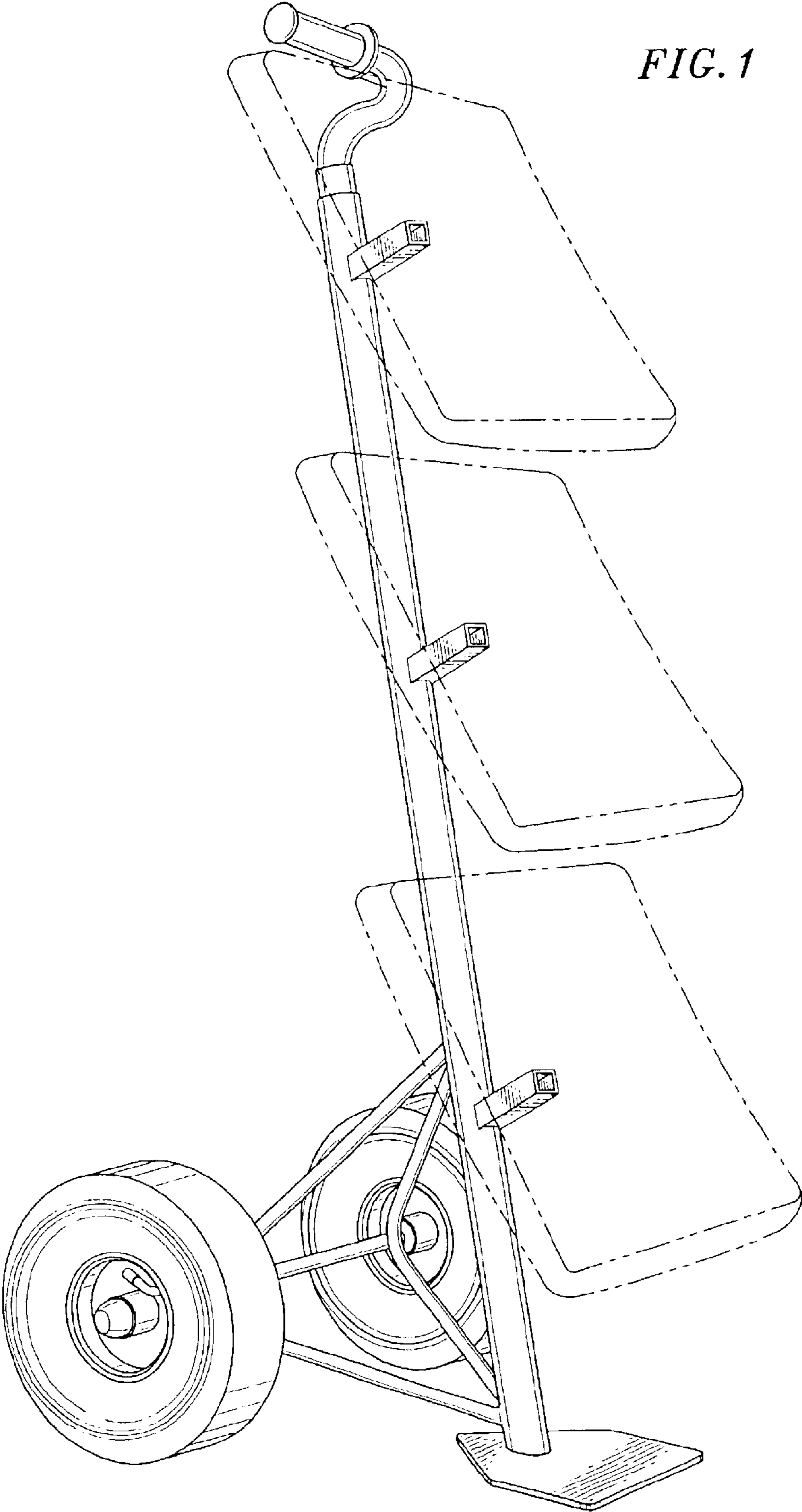


FIG. 1

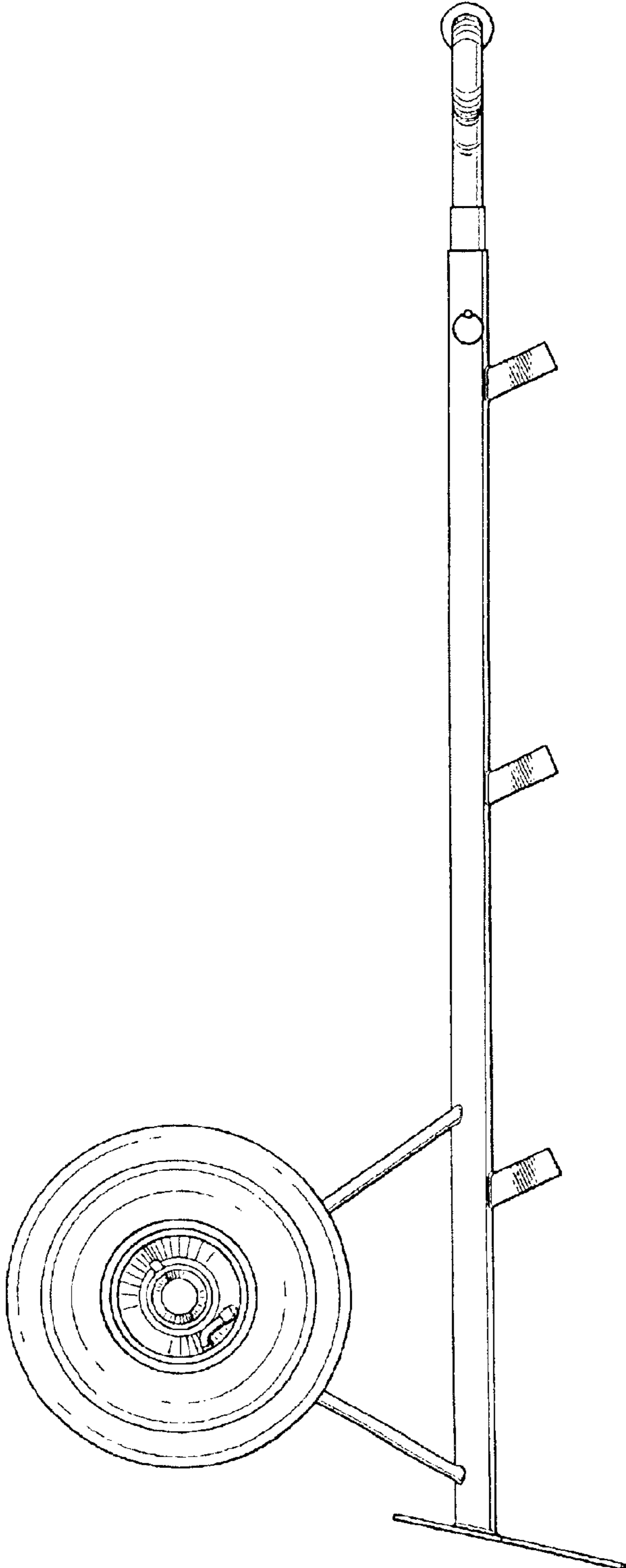


FIG. 2

FIG. 3

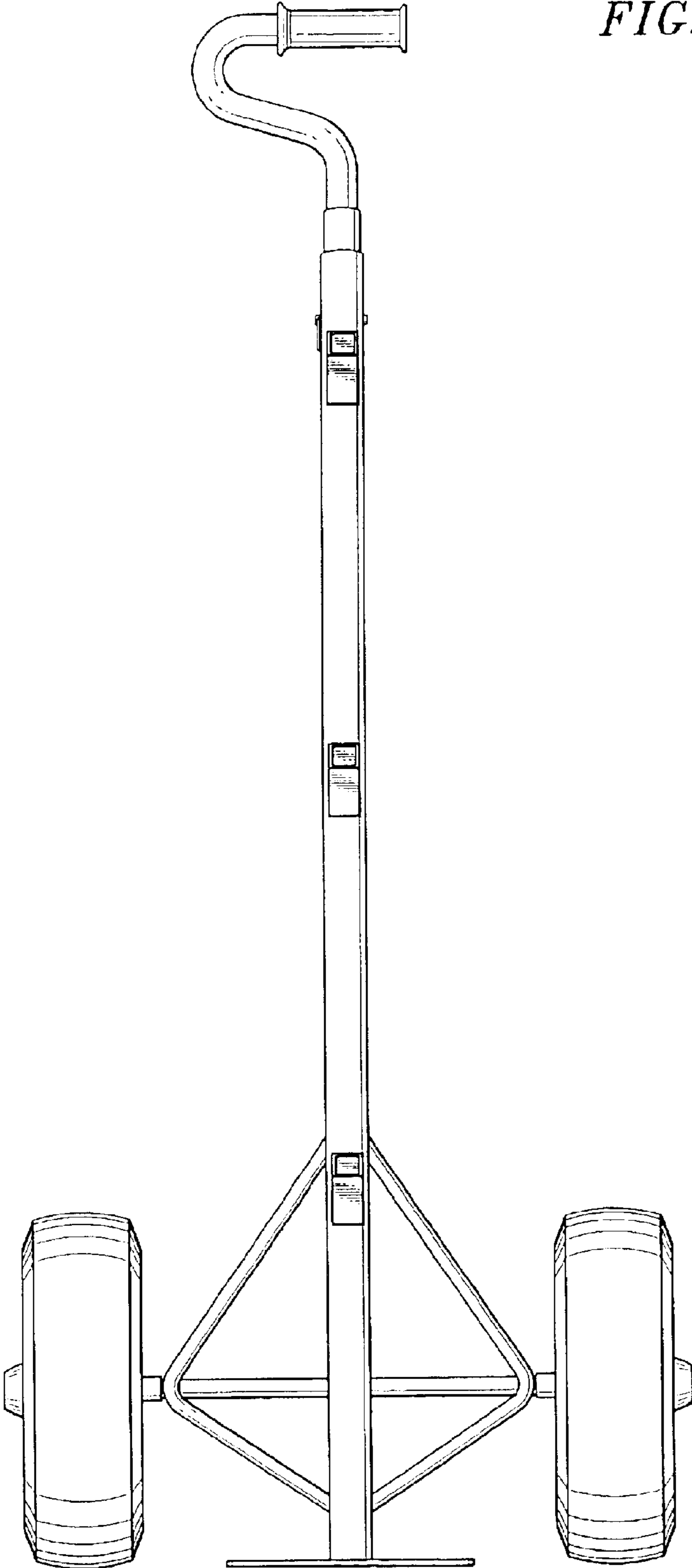


FIG. 4

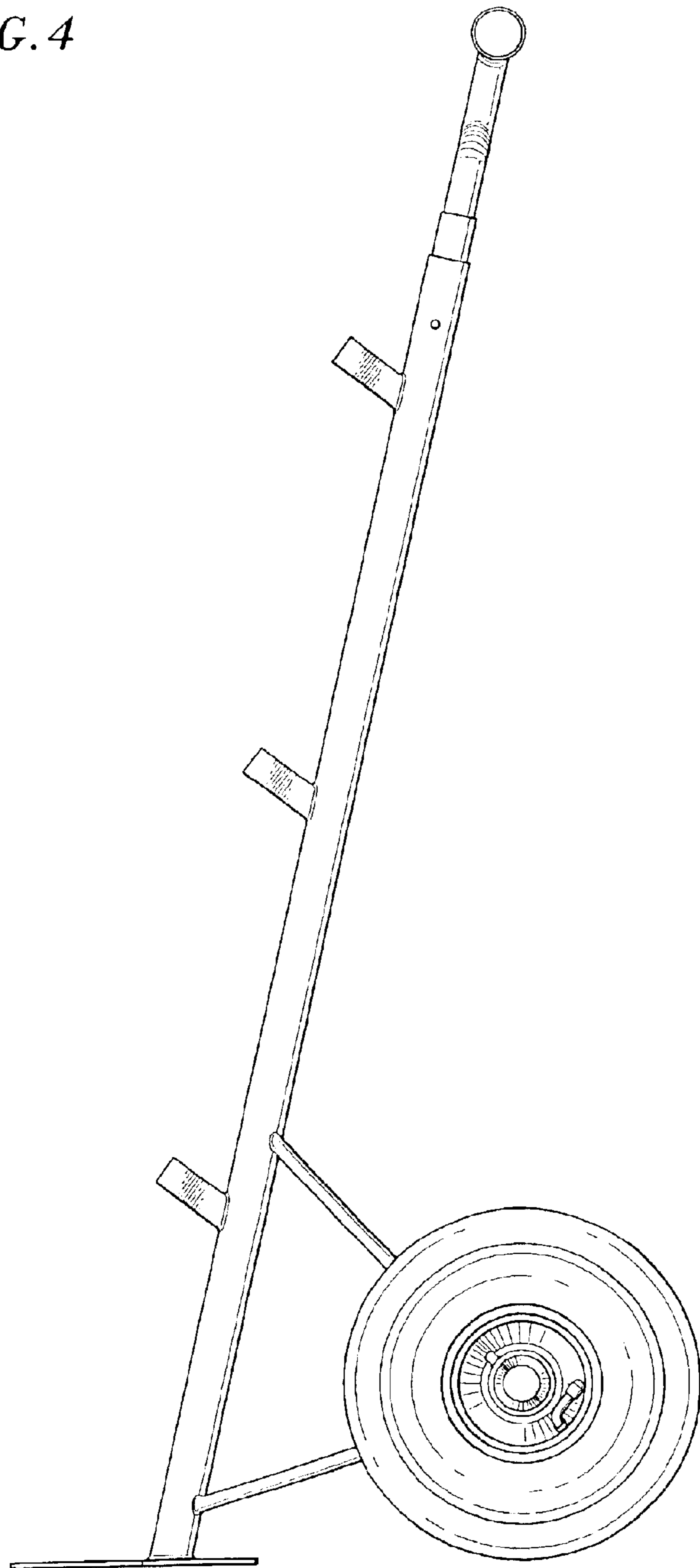


FIG. 5

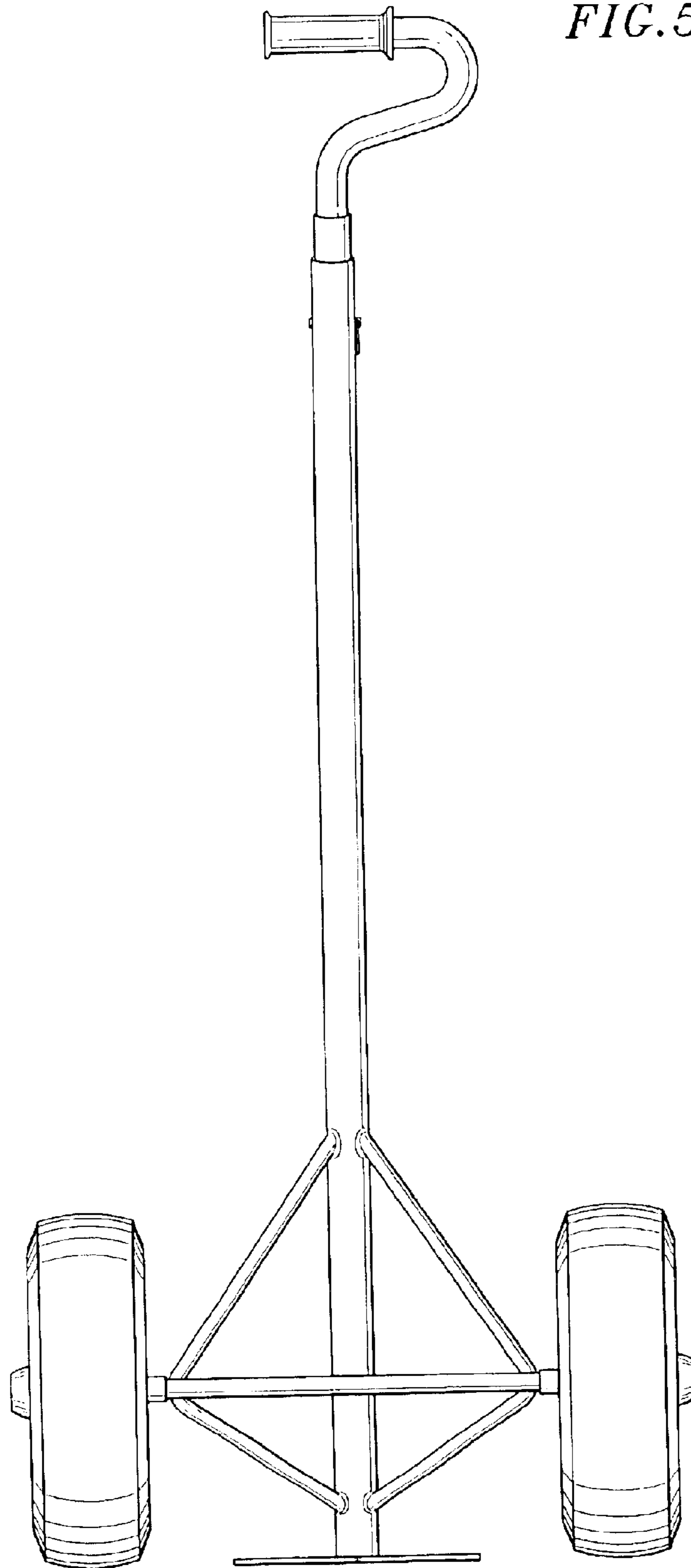


FIG. 6

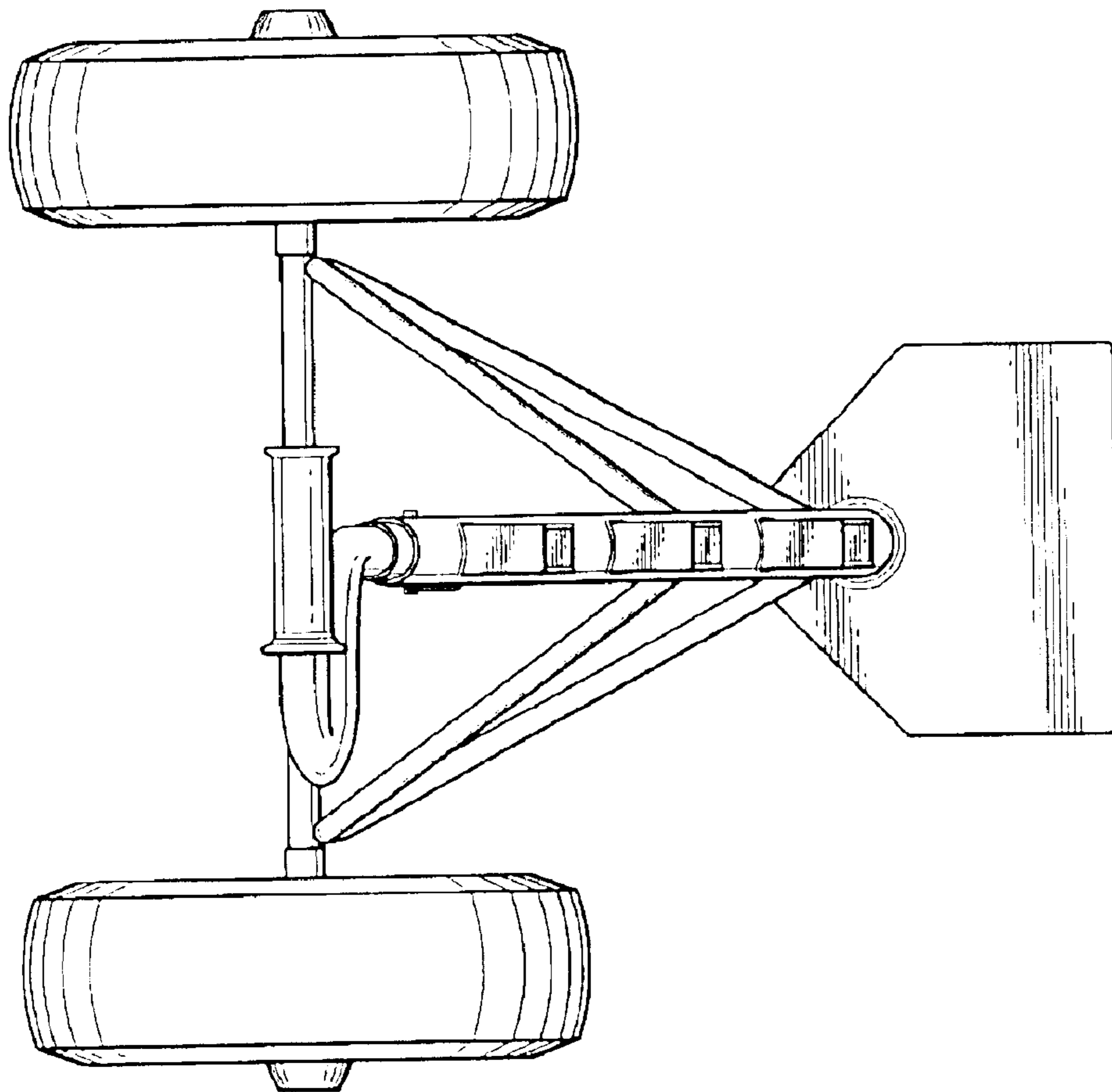


FIG. 7

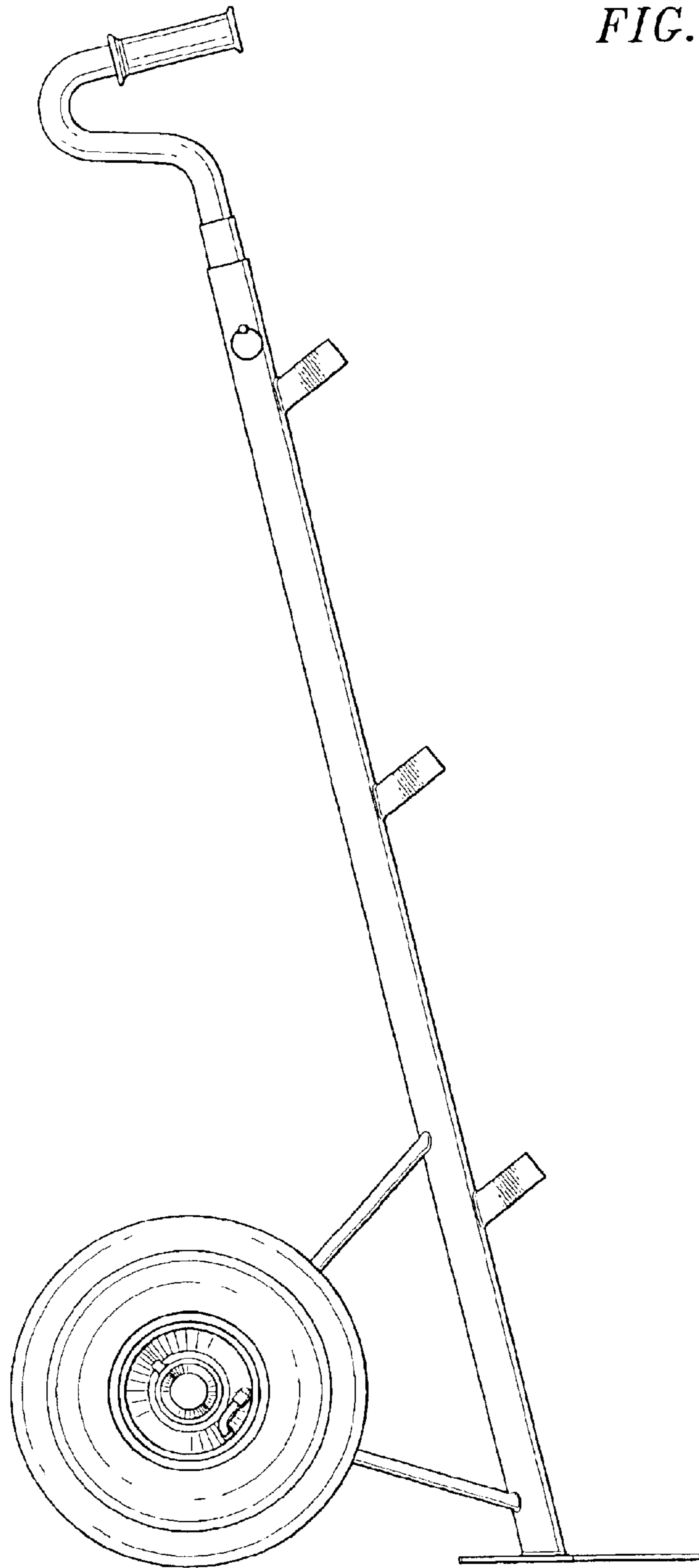


FIG. 8

