

US00D502303S

(12) **United States Design Patent**
Wu

(10) **Patent No.:** **US D502,303 S**

(45) **Date of Patent:** **** Feb. 22, 2005**

(54) **GOLF CART**

(75) **Inventor:** **Fang-Li Wu, Tainan (TW)**

(73) **Assignee:** **Sports World Enterprises Co., Ltd.,
Tainan Hsien (TW)**

(**) **Term:** **14 Years**

(21) **Appl. No.:** **29/204,999**

(22) **Filed:** **May 10, 2004**

(51) **LOC (7) Cl. 12-02**

(52) **U.S. Cl. D34/15**

(58) **Field of Search D34/15; 280/33.991,
280/33.992, 33.993, 33.994, 47.18, 47.26,
47.34**

(56) **References Cited**

U.S. PATENT DOCUMENTS

D292,039 S * 9/1987 Moore D34/15
D391,731 S * 3/1998 Wu D34/15
D450,416 S * 11/2001 Liao D34/15

D450,902 S * 11/2001 Liao D34/15
D462,152 S * 8/2002 Liao D34/15
D493,018 S * 7/2004 Liao D34/15

* cited by examiner

Primary Examiner—Holly Baynham

(74) *Attorney, Agent, or Firm*—Rosenberg, Klein & Lee

(57) **CLAIM**

The ornamental design for a golf cart, as shown and described.

DESCRIPTION

FIG. 1 is a perspective view of a golf cart showing my new design;

FIG. 2 is a front elevational view thereof;

FIG. 3 is a rear elevational view thereof;

FIG. 4 is a left side elevational view thereof;

FIG. 5 is a right side elevational view thereof;

FIG. 6 is a top plan view thereof; and,

FIG. 7 is a bottom plan view thereof.

1 Claim, 4 Drawing Sheets





FIG. 1

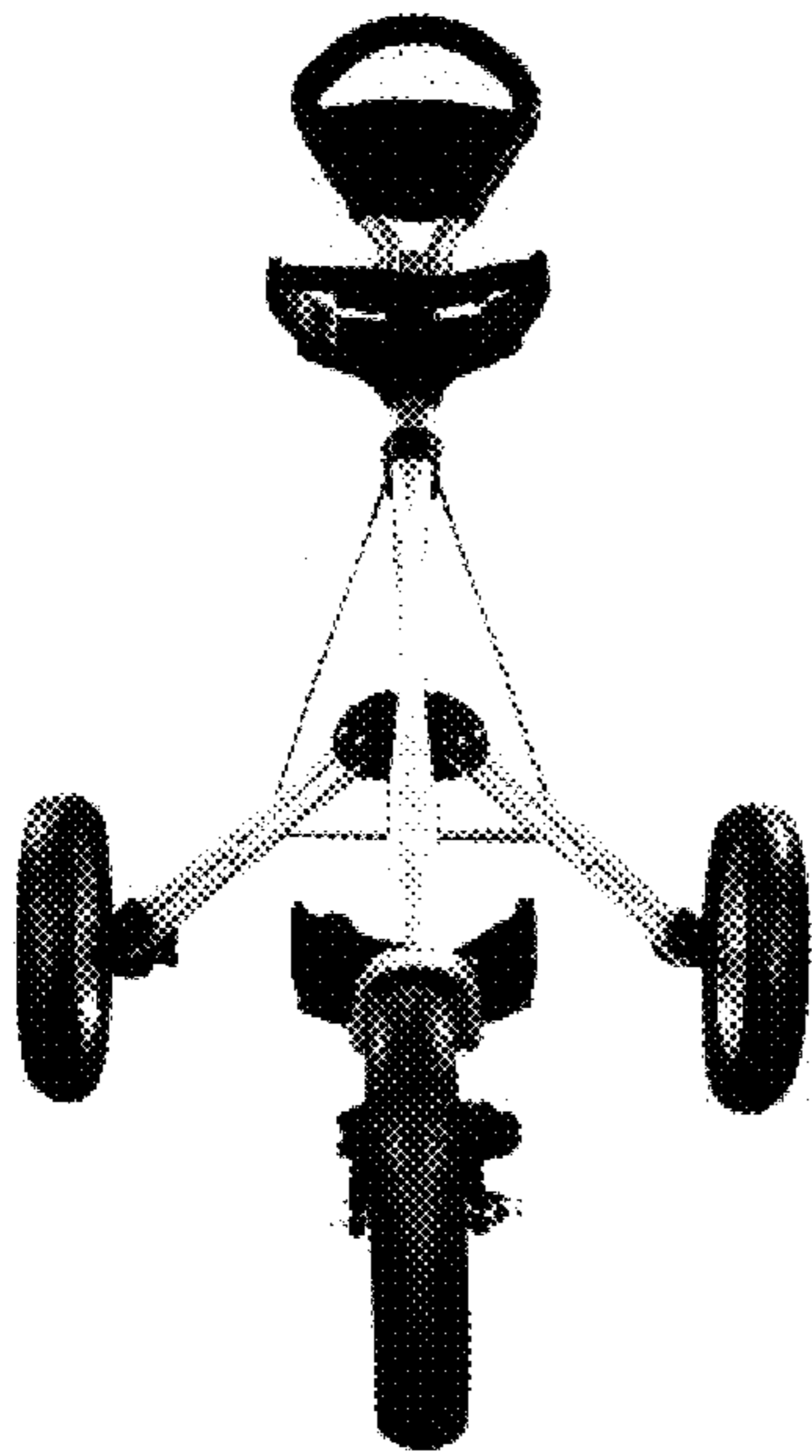


FIG. 2

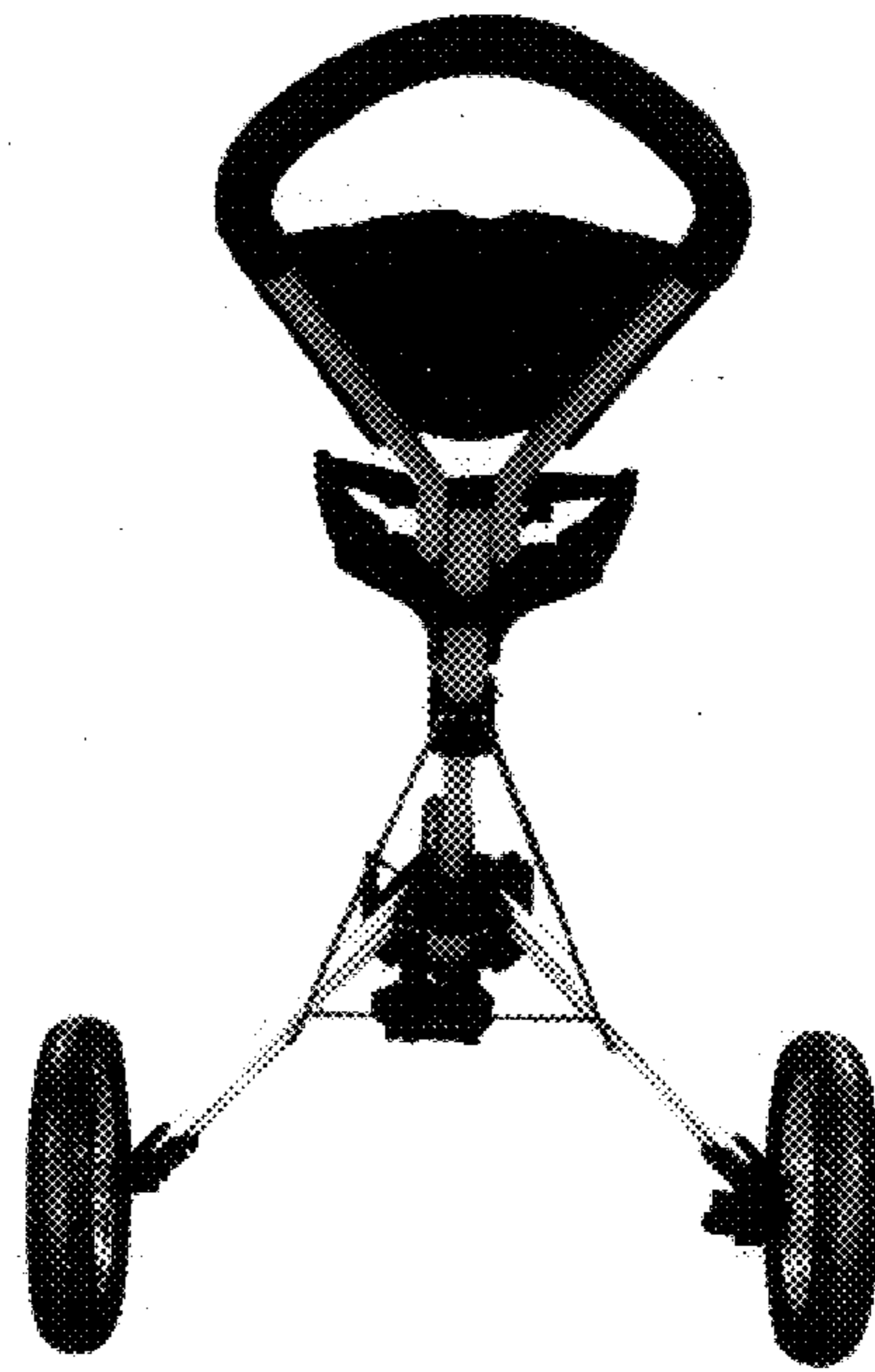


FIG. 3

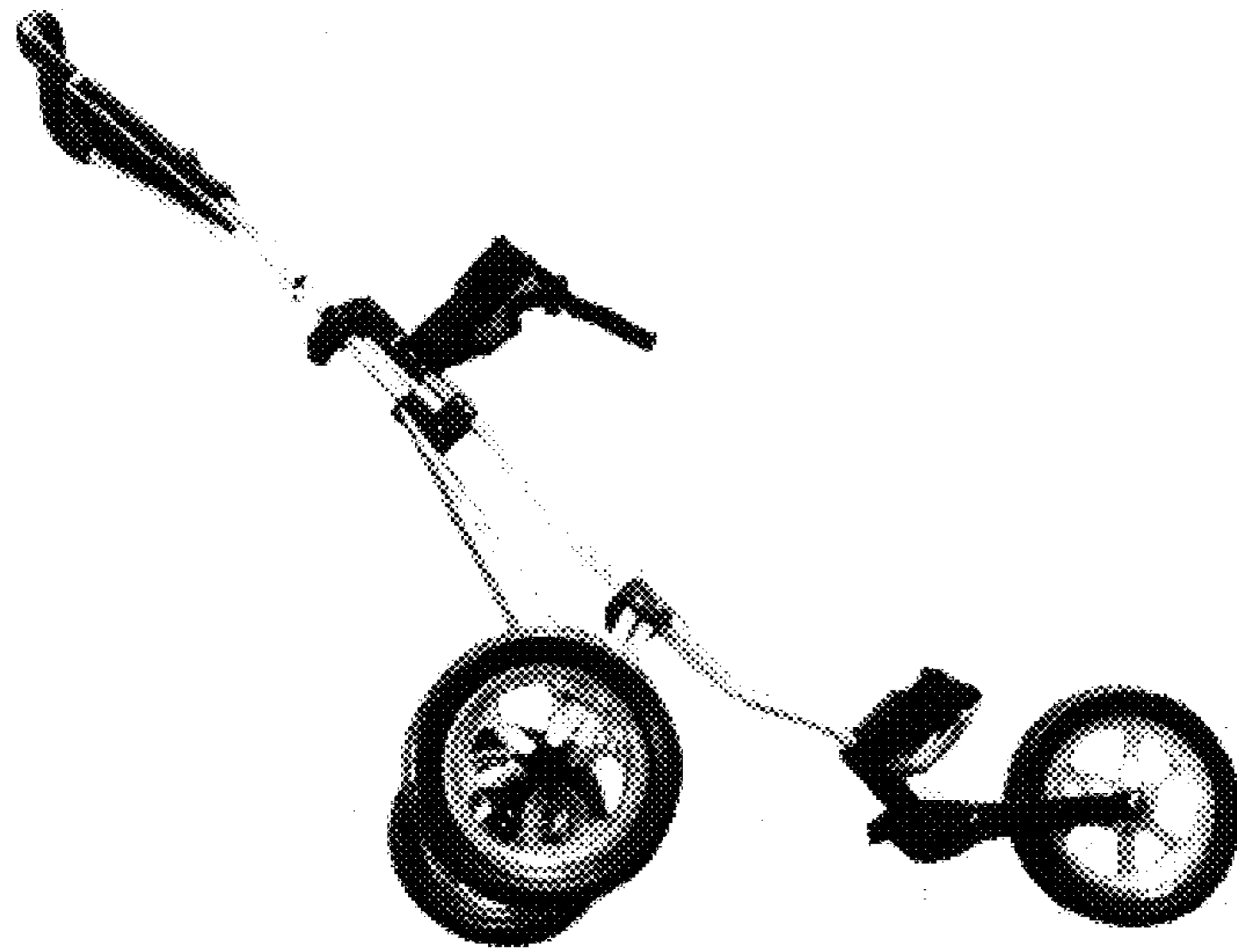


FIG. 4



FIG. 5

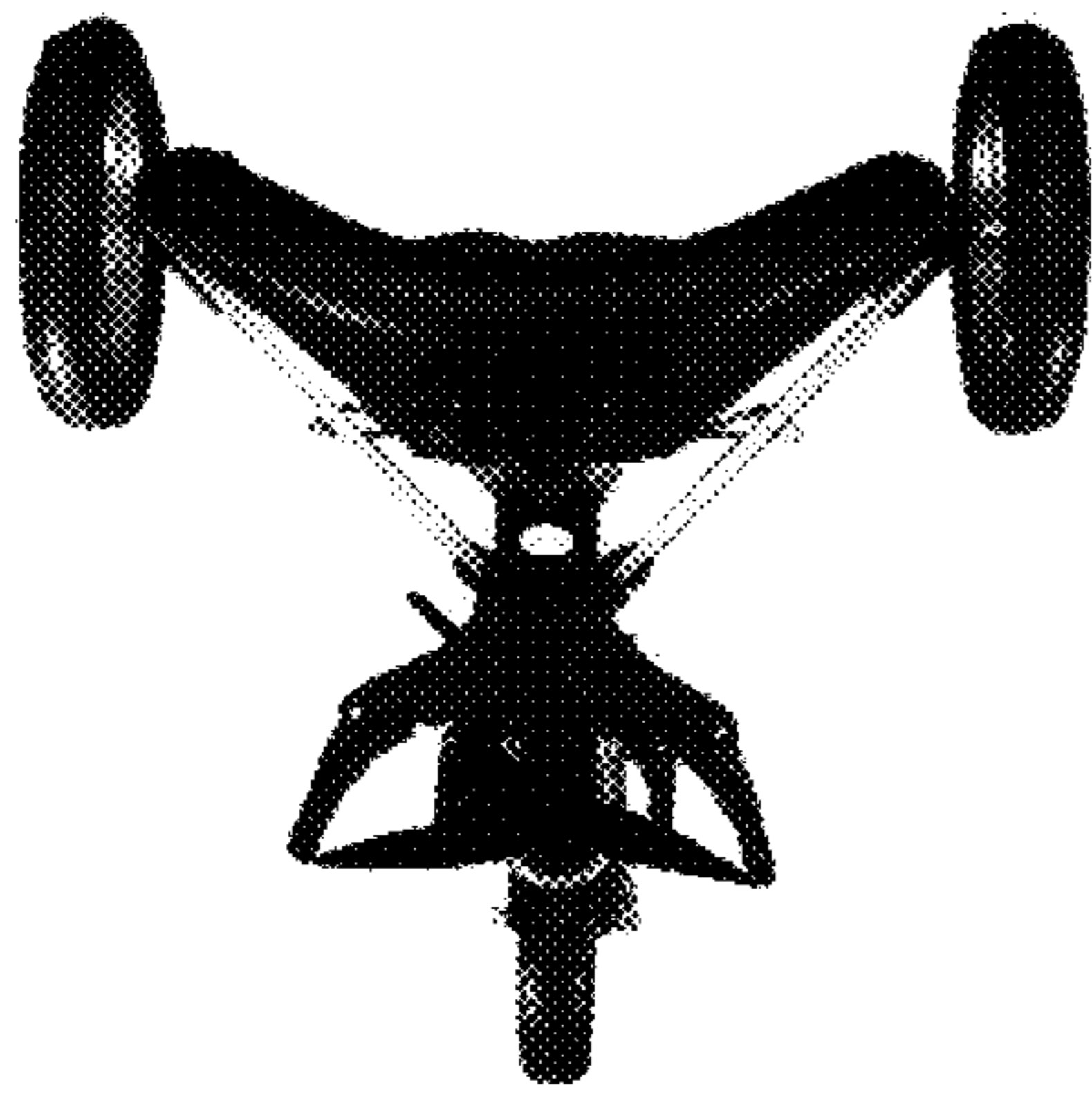


FIG. 6

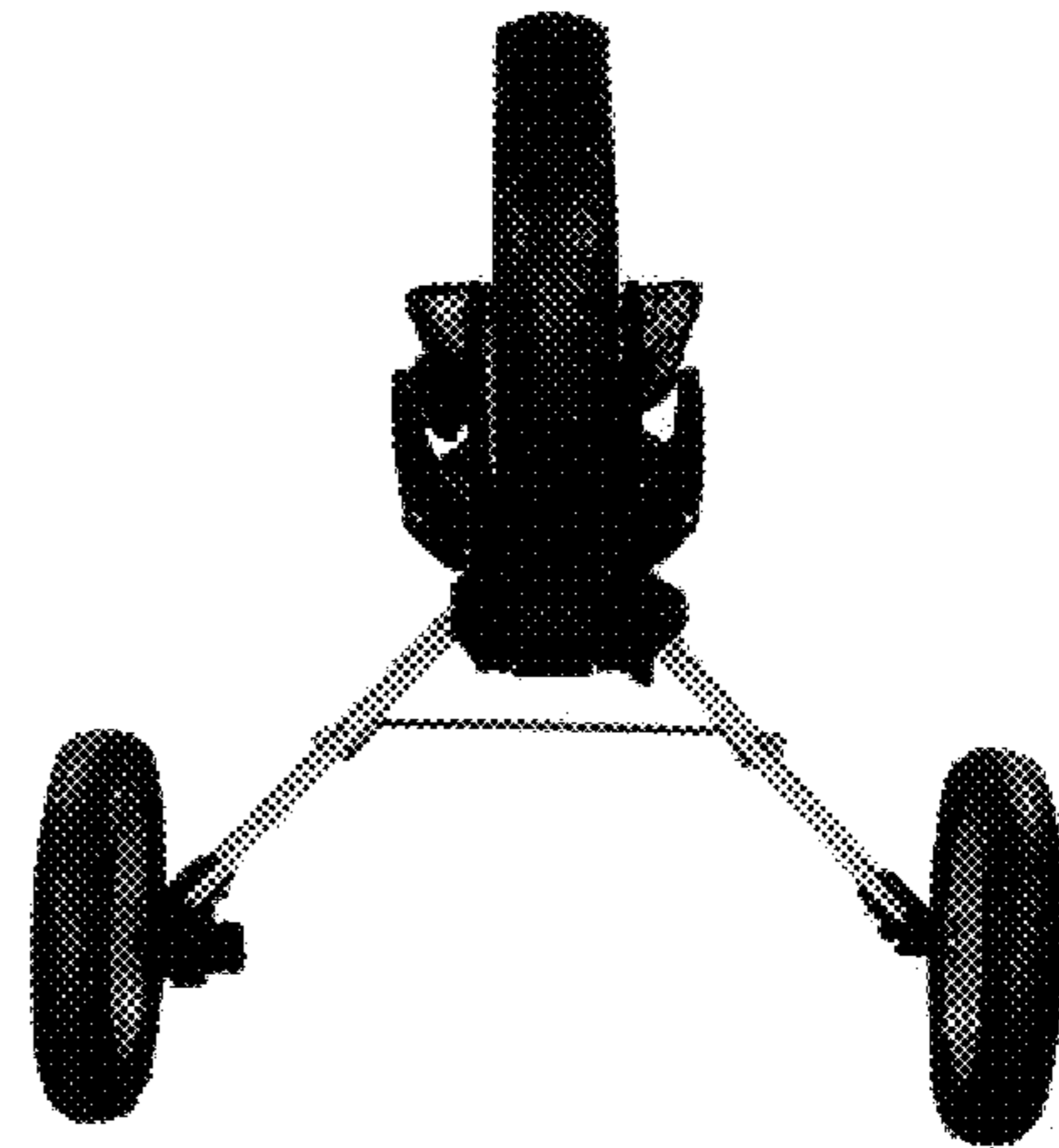


FIG. 7



US00D502303C1

(12) **EX PARTE REEXAMINATION CERTIFICATE (6553rd)**
United States Patent
Wu

(10) **Number:** **US D502,303 C1**
(45) **Certificate Issued:** **Dec. 2, 2008**

(54) **GOLF CART**

(76) **Inventor:** **Fang-Li Wu**, No. 36, Lane 199, Sec. 1,
Funong St., Tainan (TW)

Reexamination Request:

No. 90/008,918, Nov. 9, 2007

Reexamination Certificate for:

Patent No.: **Des.502,303**
Issued: **Feb. 22, 2005**
Appl. No.: **29/204,999**
Filed: **May 10, 2004**

(51) **LOC (8) Cl.** **12-13**

(52) **U.S. Cl.** **D34/15**

(58) **Field of Classification Search** D34/12,
D34/15, 24; 280/28-40, 47.17, 47.18, 47.26,
280/27.34, 47.24, 645, 646, 651, 652, 655,
280/DIG. 6; 224/274; 248/96, 128, 129

See application file for complete search history.

(56) **References Cited**

U.S. PATENT DOCUMENTS

4,289,324 A * 9/1981 Nemeth 280/38

4,913,460 A	*	4/1990	Klein	280/646
D391,731 S		3/1998	Wu		
D448,906 S	*	10/2001	Wu	D34/15
D450,415 S	*	11/2001	Liao	D34/15
D450,416 S		11/2001	Liao		
D450,902 S		11/2001	Liao		
6,698,789 B2	*	3/2004	Reimers et al.	280/651
6,719,319 B2	*	4/2004	Liao	280/654
6,969,078 B2	*	11/2005	Liao	280/38
7,000,928 B2	*	2/2006	Liao	280/38
7,128,333 B2	*	10/2006	Reimers et al.	280/651
2001/0033070 A1	*	10/2001	Reimers et al.	280/651
2003/0122353 A1	*	7/2003	Liao	280/651
2003/0178815 A1	*	9/2003	Liu	280/645
2004/0135331 A1	*	7/2004	Liao	280/47.2
2004/0195806 A1	*	10/2004	Reimers et al.	280/651
2005/0046130 A1	*	3/2005	Cheng et al.	280/47.26
2005/0173895 A1	*	8/2005	Lin	280/651
2005/0200101 A1	*	9/2005	Chang	280/651
2005/0258611 A1	*	11/2005	Wu	280/38

OTHER PUBLICATIONS

2003 Golf Products Catalog of Bag Boy Company Ltd., cover page, table of contents, pp. 12 and 13, and last page (2003).

* cited by examiner

Primary Examiner—Sandra Snapp



EX PARTE
REEXAMINATION CERTIFICATE
ISSUED UNDER 35 U.S.C. 307
AS A RESULT OF REEXAMINATION, IT HAS BEEN
DETERMINED THAT:

The patentability of the sole design claim is confirmed.

The ornamental design for a golf cart, as shown and described.

* * * * *