

US00D502302S

(12) **United States Design Patent**
Verbeek

(10) **Patent No.:** **US D502,302 S**
(45) **Date of Patent:** **** Feb. 22, 2005**

(54) **IRON REST**

(75) Inventor: **Antonius J. Verbeek**, Valkenswaard (NL)

(73) Assignee: **Brabantia Nederland BV**, Waalre (NL)

(**) Term: **14 Years**

(21) Appl. No.: **29/204,401**

(22) Filed: **Apr. 27, 2004**

(51) **LOC (7) Cl.** **07-05**

(52) **U.S. Cl.** **D32/73**

(58) **Field of Search** D32/66, 68, 73;
38/106, 107, 141, 142; 108/28, 29, 6; 248/117.1,
117.2, 117.3, 117.4, 117.5, 117.6, 117.7,
153, 172

Internet <URL: <http://www.amazon.com/exec/obidos/tg/detail/-/B000095ZGA/> . . . >.*

Amazon.com, Polder 90636-90H Iron Rest, [online] May 1, 2003 [retrieved on Sep. 5, 2004] Retrieved from the Internet □□<URL: <http://www.amazon.com/exe/obidos/tg/detail/-/B000095ZGD/> . . . >.*

* cited by examiner

Primary Examiner—Alan P. Douglas
Assistant Examiner—Lavone D. Tabor
(74) *Attorney, Agent, or Firm*—Abelman, Frayne & Schwab

(57) **CLAIM**

The ornamental design for a iron rest, as shown and described.

(56) **References Cited**

U.S. PATENT DOCUMENTS

2,472,676 A * 6/1949 Nunnally, Sr. 108/69
D452,596 S * 12/2001 de Wit D32/66

FOREIGN PATENT DOCUMENTS

DE 19526637 A1 * 1/1997 D06F/81/00

OTHER PUBLICATIONS

Amazon.com, Polder Dual Position Iron Rest featured on Polder 90455-44 Deluxe Ironing Board, [online], May 1, 2003 [retrieved on Sep. 25, 2004]. Retrieved from the

DESCRIPTION

FIG. 1 is a top rear left side perspective view of an iron rest showing my new design;

FIG. 2 is a front elevational view thereof;

FIG. 3 is a left side elevational view thereof, with the right side being a mirror image thereof;

FIG. 4 is a rear elevational view thereof; and,

FIG. 5 is a bottom plan view thereof.

1 Claim, 2 Drawing Sheets

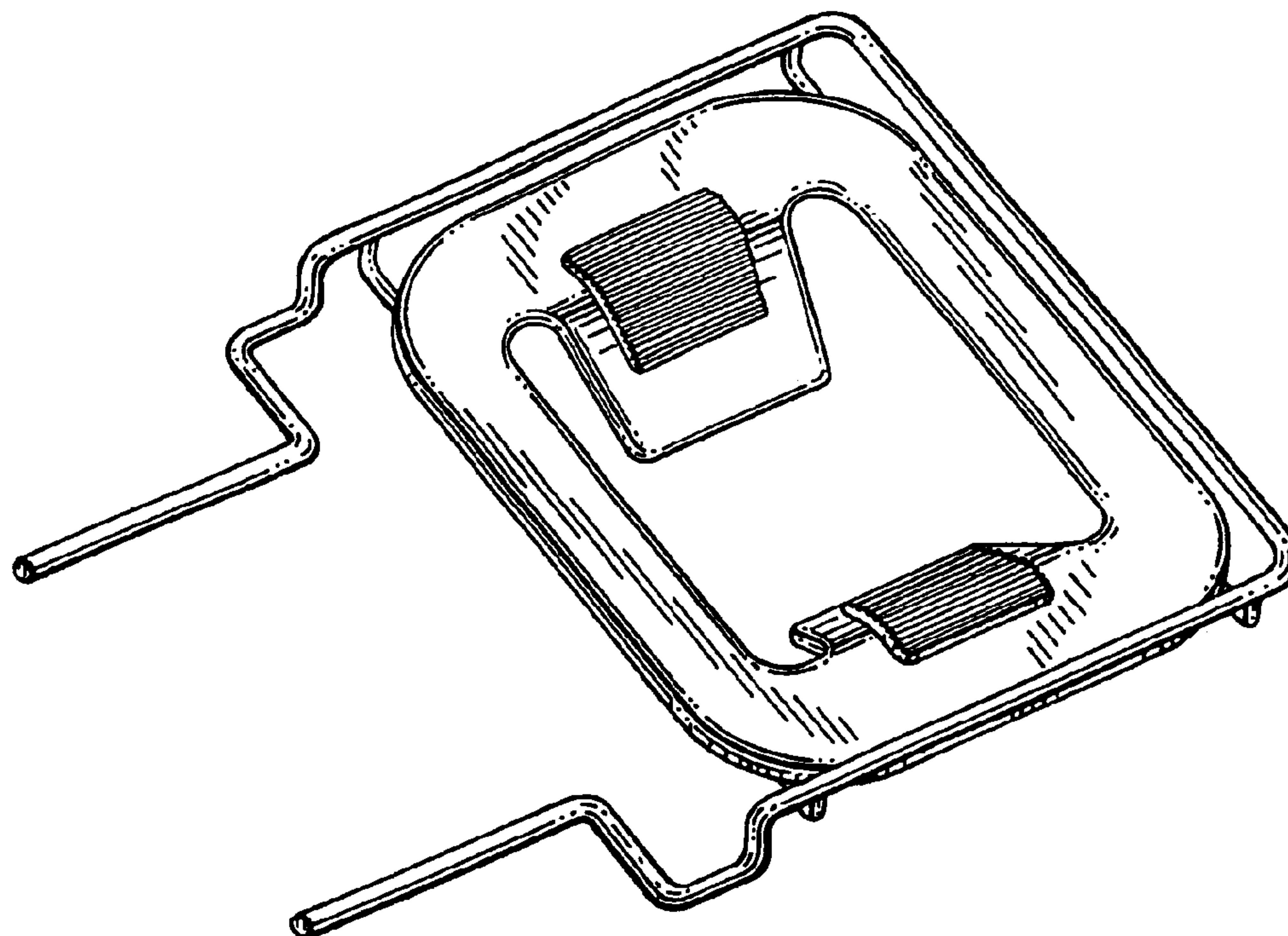


FIG. 1

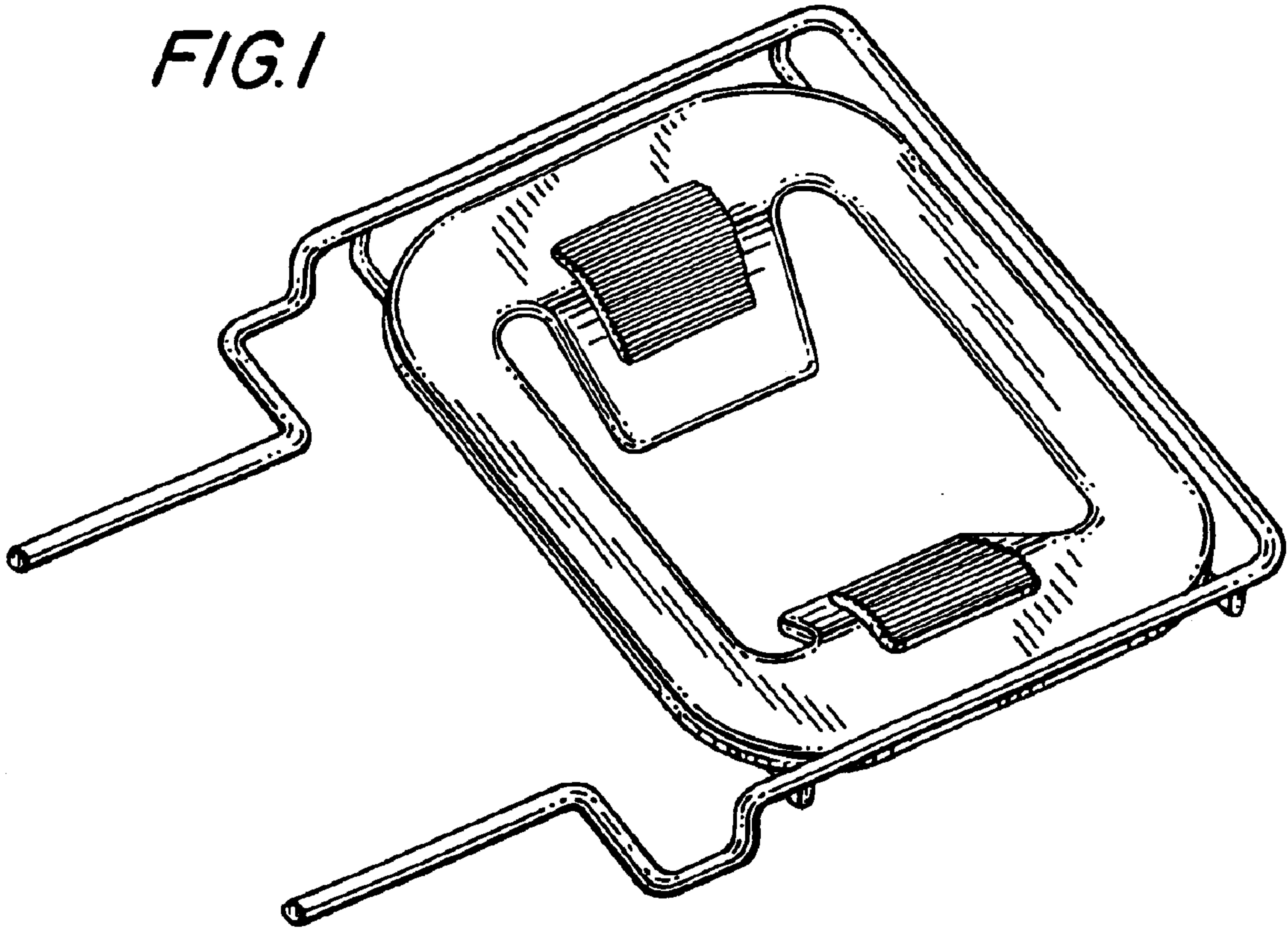


FIG. 2

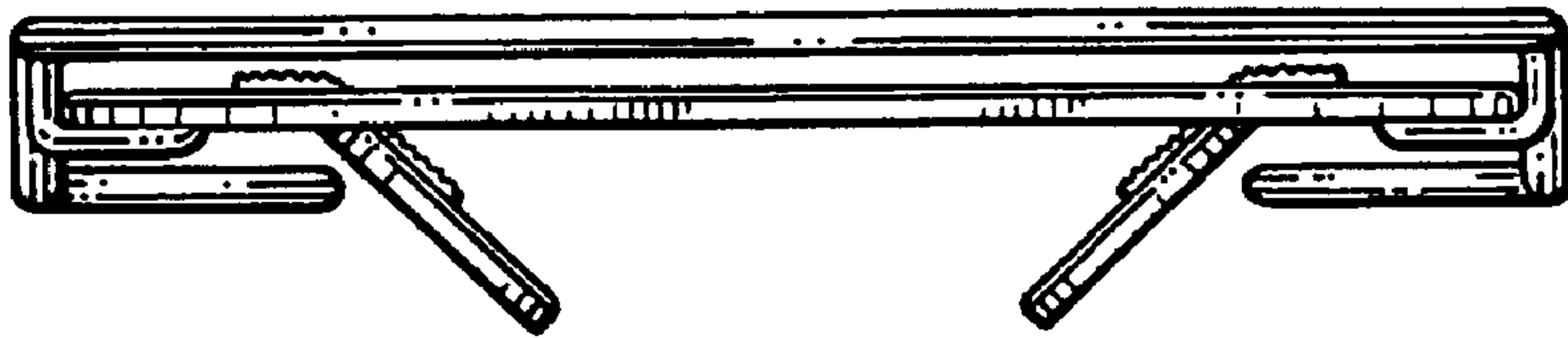


FIG. 3

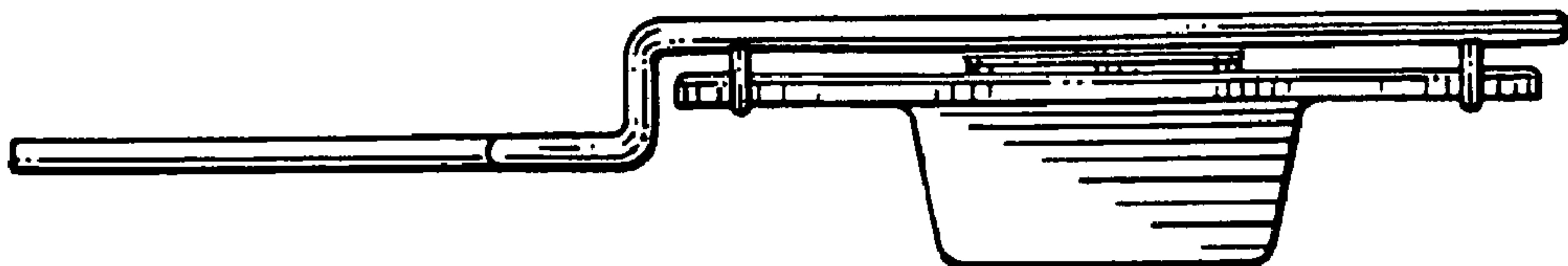


FIG. 4

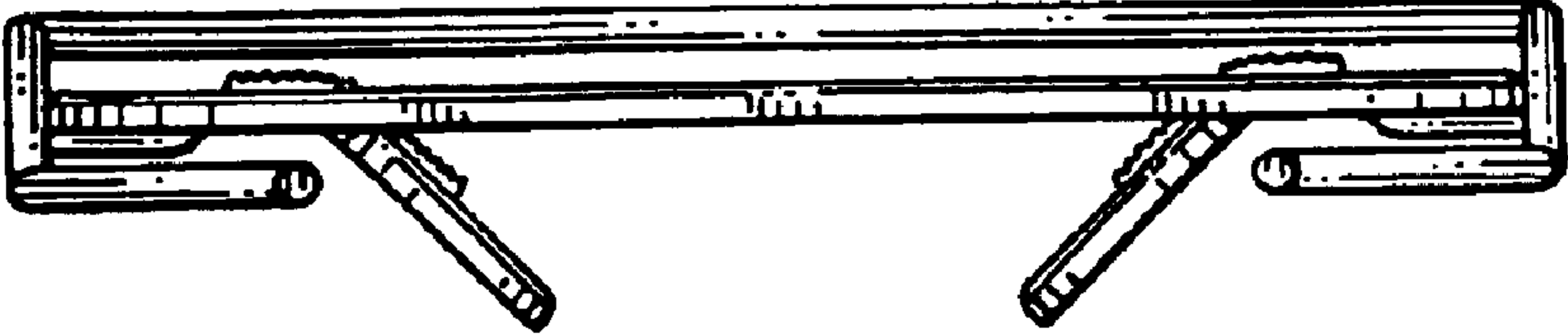


FIG. 5

