

US00D502296S

(12) **United States Design Patent**
Cunningham

(10) **Patent No.:** **US D502,296 S**

(45) **Date of Patent:** **** Feb. 22, 2005**

(54) **ENCLOSURE FOR A SWEEPER VEHICLE**

(75) **Inventor:** **John P. Cunningham**, Hurricane, WV (US)

(73) **Assignee:** **The Terramite Corporation**, Charleston, WV (US)

(**) **Term:** **14 Years**

(21) **Appl. No.:** **29/201,334**

(22) **Filed:** **Mar. 15, 2004**

Related U.S. Application Data

(62) Division of application No. 29/164,102, filed on Jul. 19, 2002, now Pat. No. Des. 490,579.

(51) **LOC (7) Cl.** **23-01**

(52) **U.S. Cl.** **D32/16; D15/30; D12/14; D12/96**

(58) **Field of Search** **D12/1, 14, 96, D12/99; D32/16; D15/10, 30, 28; 15/84, 320; 296/190, 192**

(56) **References Cited**

U.S. PATENT DOCUMENTS

D137,024 S	1/1944	Adrian
3,186,021 A	6/1965	Krier et al.
D205,207 S	7/1966	Lanphere et al.
D249,532 S	9/1978	Cudahy, III et al.
4,516,285 A	5/1985	Pineau
D281,109 S	10/1985	Raaj
4,549,326 A	10/1985	Pineau

D281,634 S	12/1985	Pratt
4,754,521 A	7/1988	Zoni
D297,142 S	8/1988	Funabashi et al.
D297,329 S	8/1988	Monehaie et al.
5,054,152 A	10/1991	Hulicsko
D321,517 S	11/1991	Katoh et al.
D384,358 S	9/1997	Smith
5,797,593 A	8/1998	Oyaizu
D398,616 S	9/1998	Kwak et al.
D432,144 S	10/2000	Kraft et al.
D449,252 S	10/2001	Takeshita et al.
D455,763 S	4/2002	Brandenburg, III et al.
D463,461 S	9/2002	Yanagida et al.
D463,462 S	9/2002	Yanagida et al.
D463,807 S	10/2002	Tamaru et al.

Primary Examiner—Nelson C. Holtje

(74) *Attorney, Agent, or Firm*—Jean C. Edwards; Dickinson Wright PLLC

(57) **CLAIM**

The ornamental design for an enclosure for a sweeper vehicle, as shown and described.

DESCRIPTION

FIG. 1 is a perspective view showing an enclosure for a sweeper vehicle with front foot panels thereof, according to one embodiment of my new design; FIG. 2 is a front view thereof; FIG. 3 is a rear view thereof; FIG. 4 is a side view thereof; and, FIG. 5 is another side view thereof. The elements shown in phantom lines do not form any part of the design of the present invention.

1 Claim, 5 Drawing Sheets

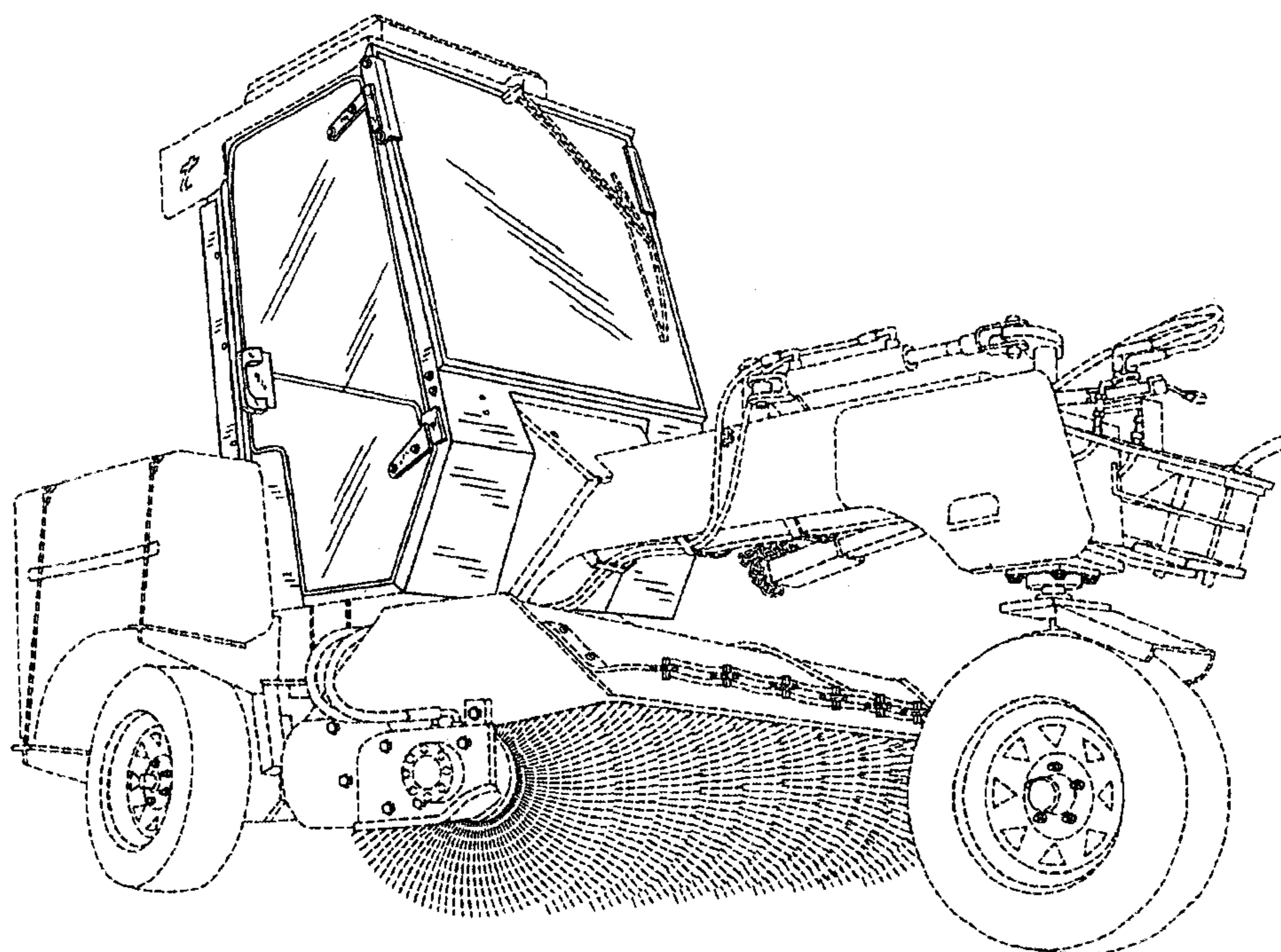


FIG. 1

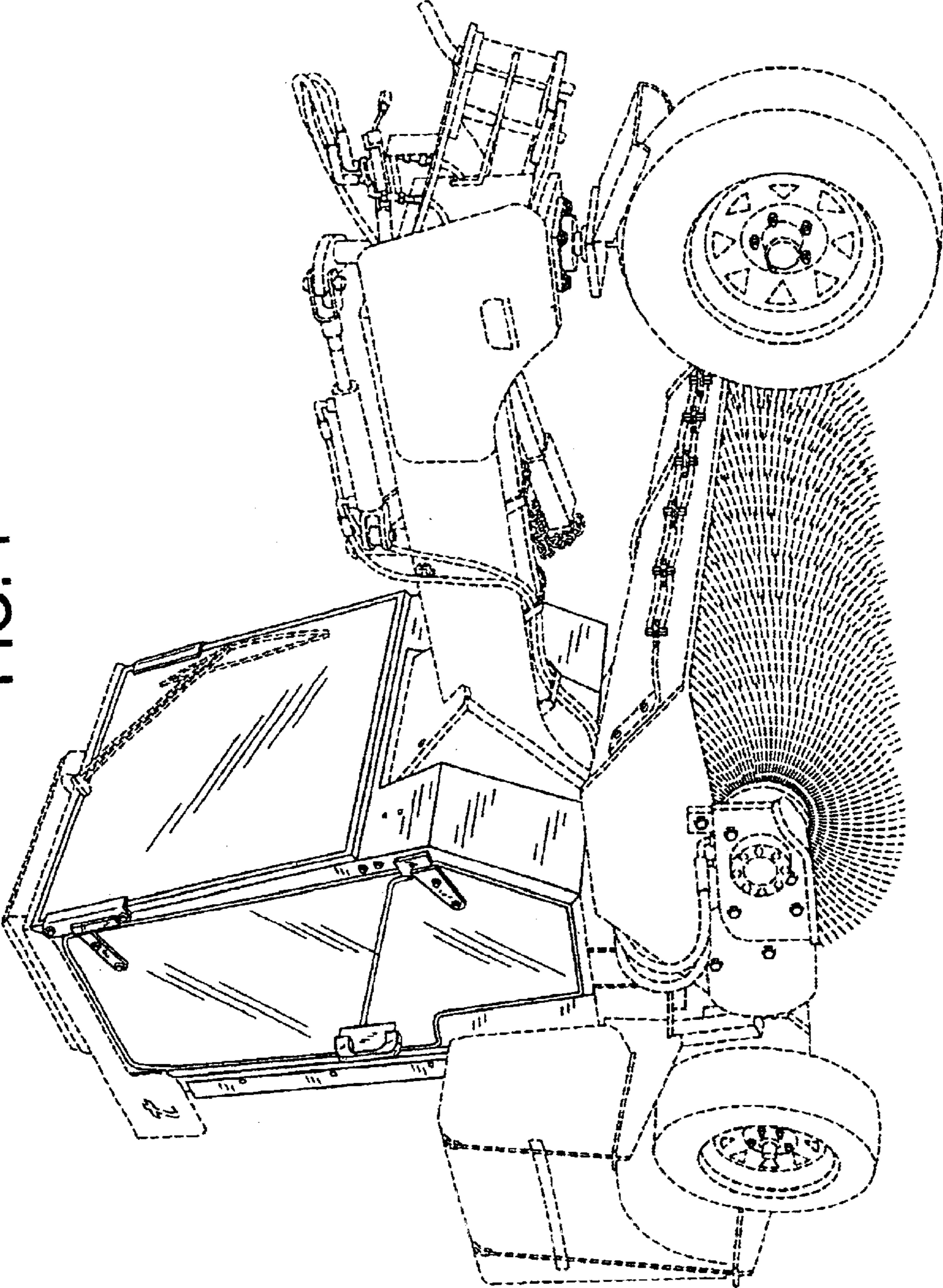


FIG. 2

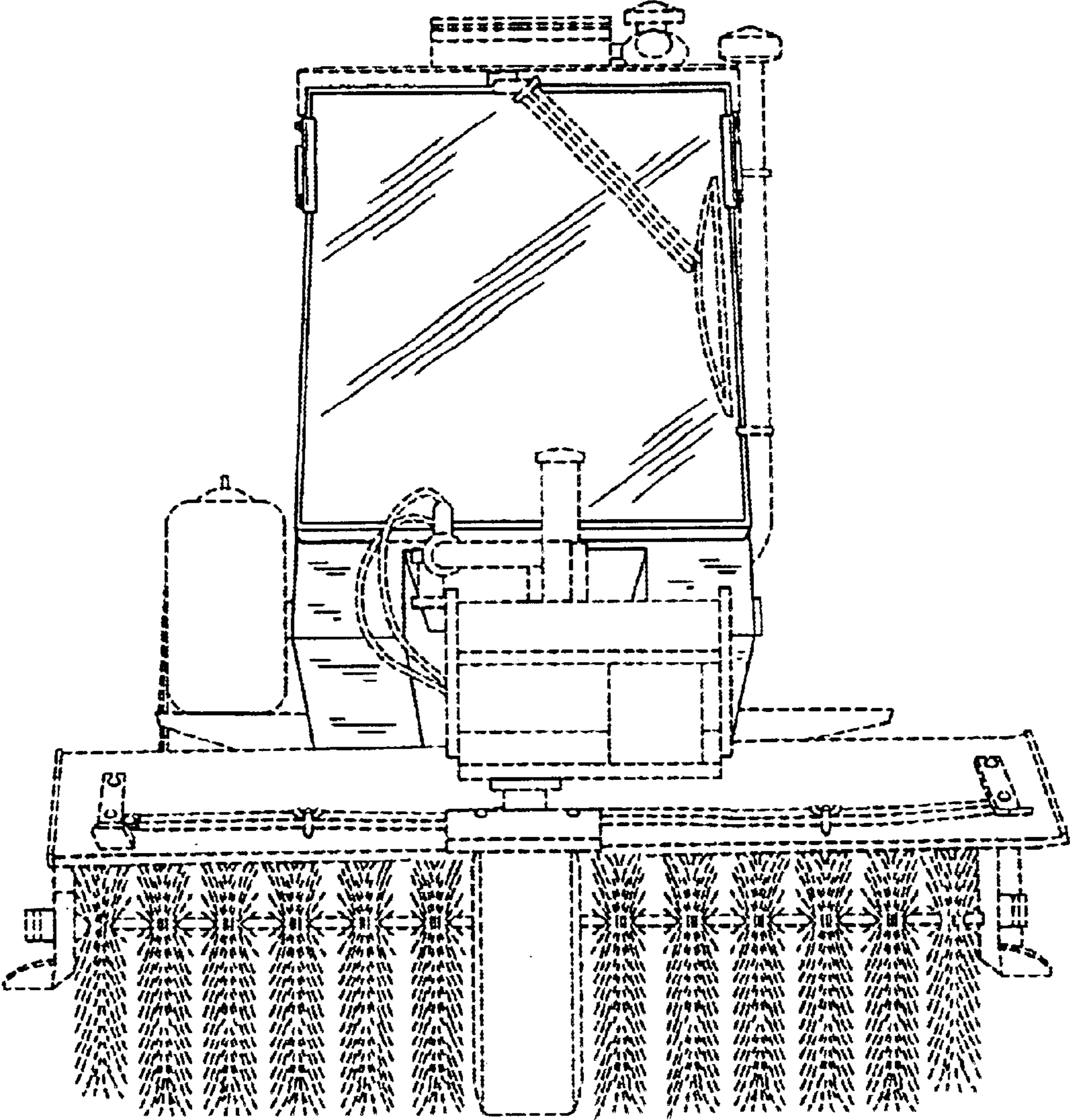


FIG. 3

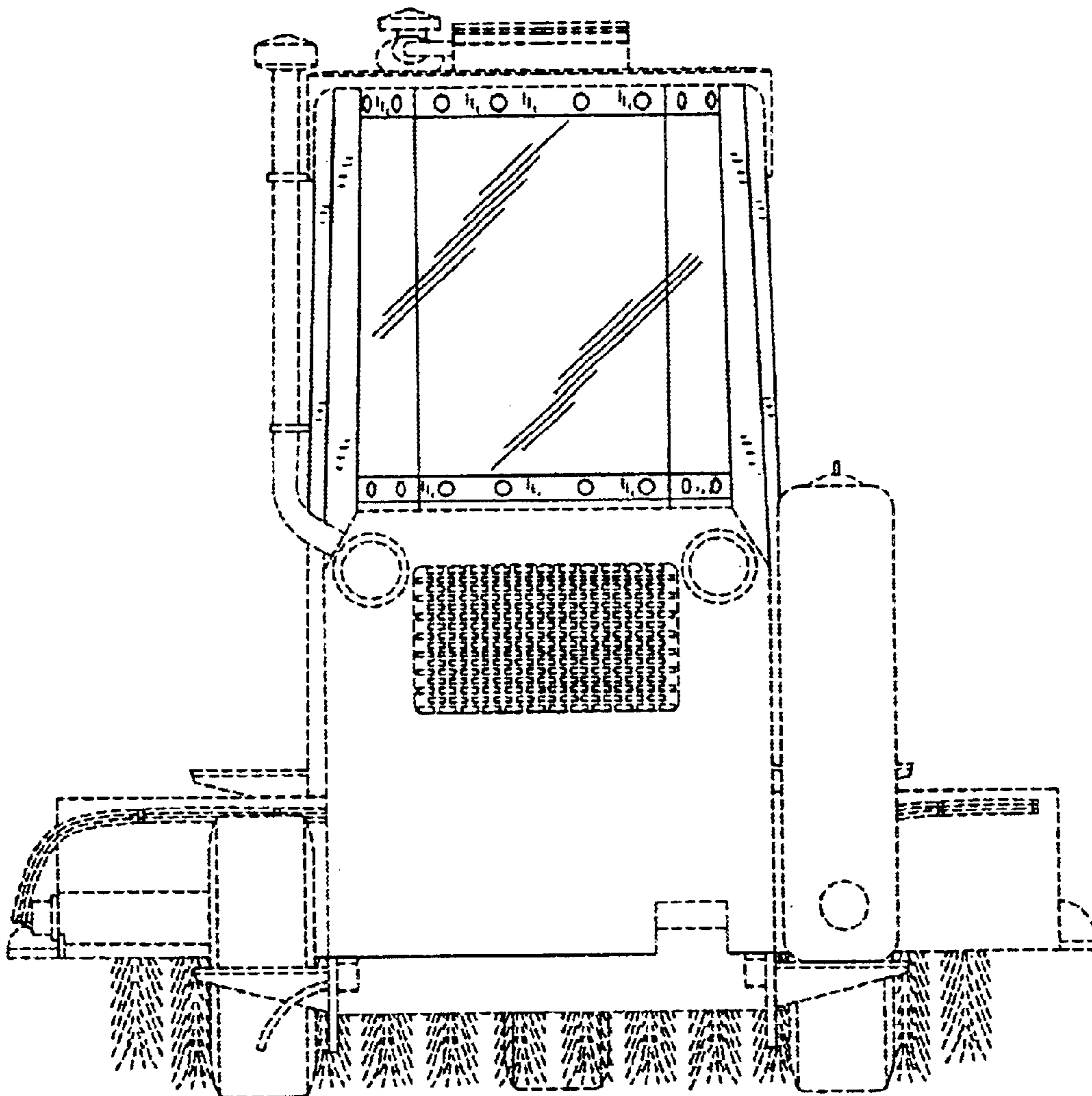


FIG. 4

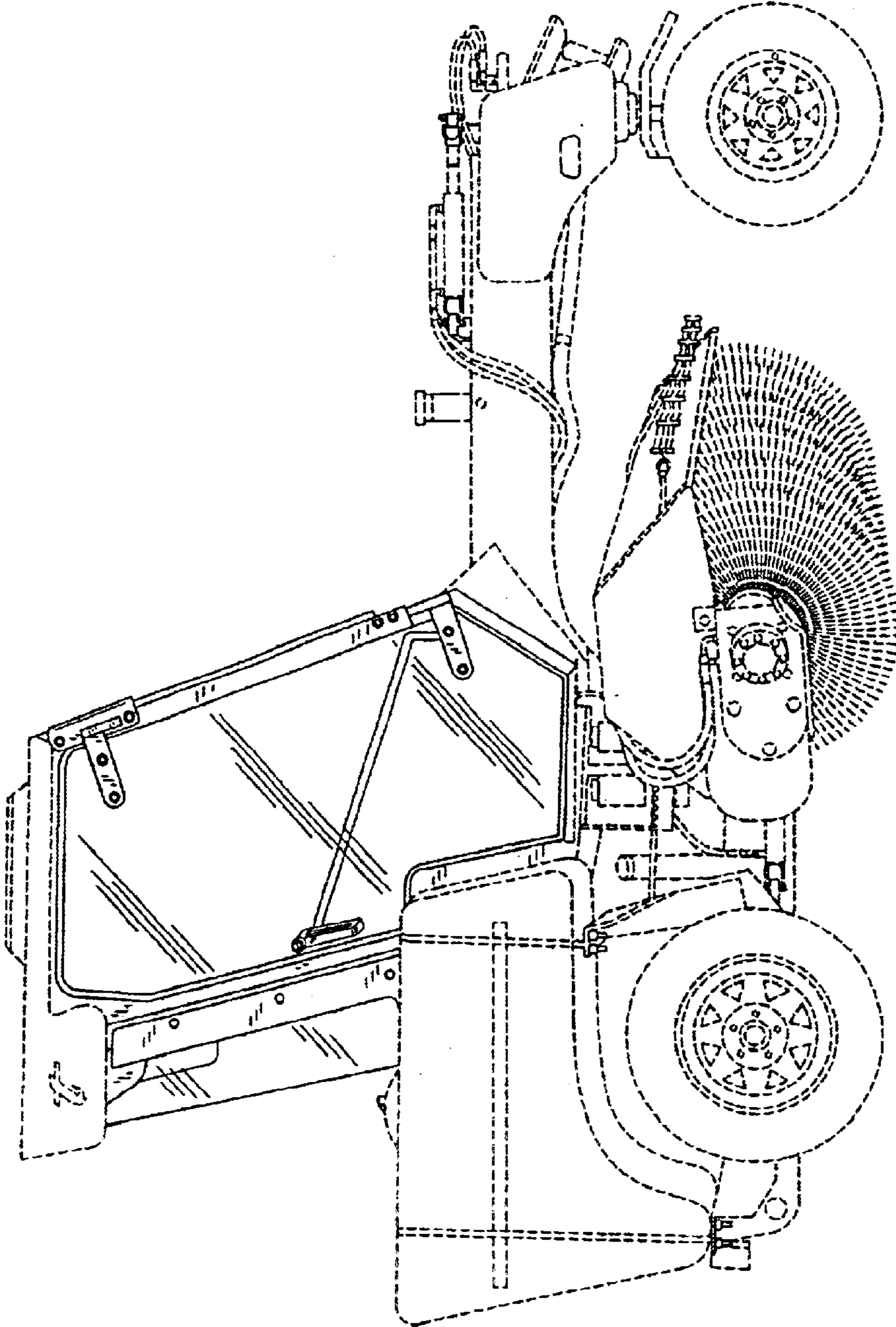


FIG. 5

