

US00D502295S

(12) **United States Design Patent** (10) **Patent No.:** **US D502,295 S**  
**Feddema** (45) **Date of Patent:** **\*\* Feb. 22, 2005**

(54) **SILVERWARE BASKET**

(75) Inventor: **Mark S. Feddema**, Kalamazoo, MI (US)

(73) Assignee: **Whirlpool Corporation**, Benton Harbor, MI (US)

(\*\*) Term: **14 Years**

(21) Appl. No.: **29/189,823**

(22) Filed: **Sep. 11, 2003**

(51) **LOC (7) Cl.** ..... **15-05**

(52) **U.S. Cl.** ..... **D32/3**

(58) **Field of Search** ..... D32/1-3, 25; 220/488, 220/555, 835; 211/41.8, 41.9; 134/93, 201, 138, 144

(56) **References Cited**

**U.S. PATENT DOCUMENTS**

4,834,125 A	*	5/1989	Insalaco	.....	134/201
D331,477 S	*	12/1992	Michael et al.	.....	D32/3
5,431,294 A	*	7/1995	Stottmann et al.	.....	220/23.4
D391,696 S	*	3/1998	Bournay et al.	.....	D32/3
D488,891 S	*	4/2004	Smith et al.	.....	D32/3

\* cited by examiner

*Primary Examiner*—Louis S. Zarfaz  
*Assistant Examiner*—John Windmuller

(74) *Attorney, Agent, or Firm*—John F. Colligan; Robert O. Rice; Stephen Krefman

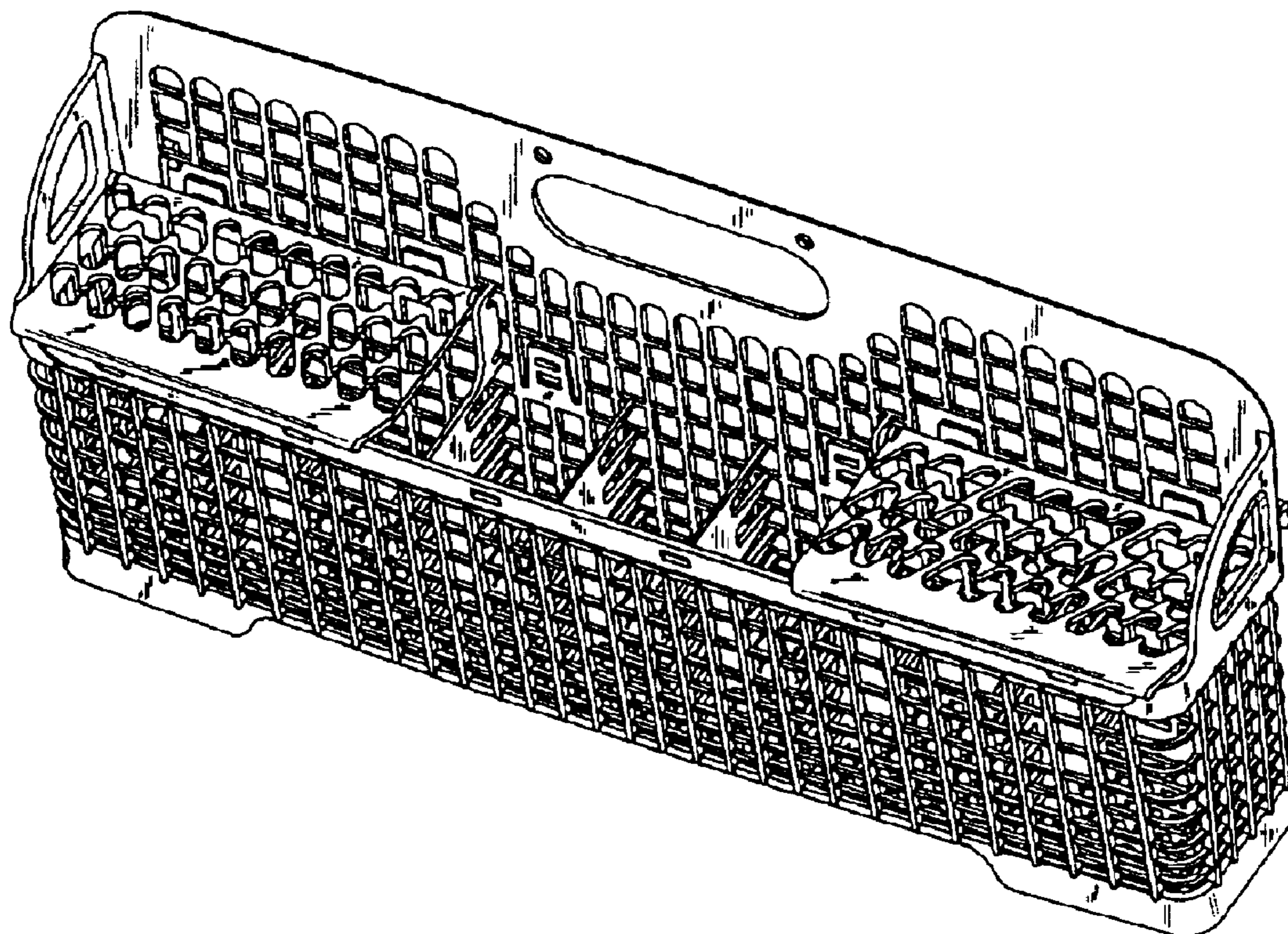
(57) **CLAIM**

The ornamental design of a silverware basket, as shown and described.

**DESCRIPTION**

FIG. 1 is a front perspective view of the silverware basket with a partial forced loading flip top showing the new design;  
 FIG. 2 is a front elevational view thereof;  
 FIG. 3 is a left side elevational view thereof;  
 FIG. 4 is a right side elevational view thereof;  
 FIG. 5 is a top plan view thereof;  
 FIG. 6 is a bottom plan view thereof;  
 FIG. 7 is a front perspective view of the partial forced loading flip top as shown in FIG. 1, thereof;  
 FIG. 8 is a top plan view of the partial forced loading flip top thereof;  
 FIG. 9 is a left side elevational view of the partial forced loading flip top thereof;  
 FIG. 10 is a right side elevational view of the partial forced loading flip top thereof;  
 FIG. 11 is a front elevational view of the partial forced loading flip top thereof; and,  
 FIG. 12 is a rear elevational view of the partial forced loading flip top thereof.

**1 Claim, 6 Drawing Sheets**



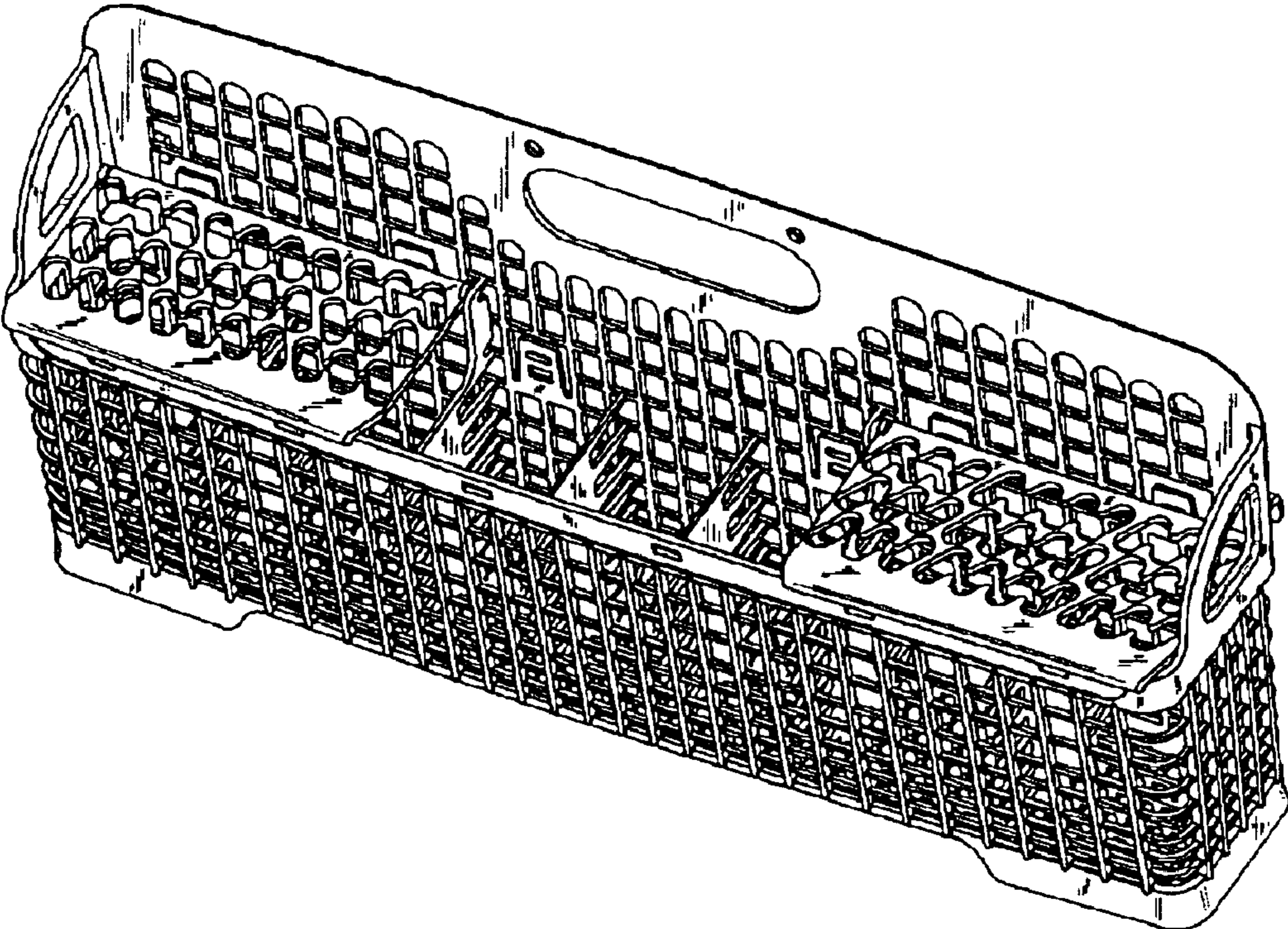
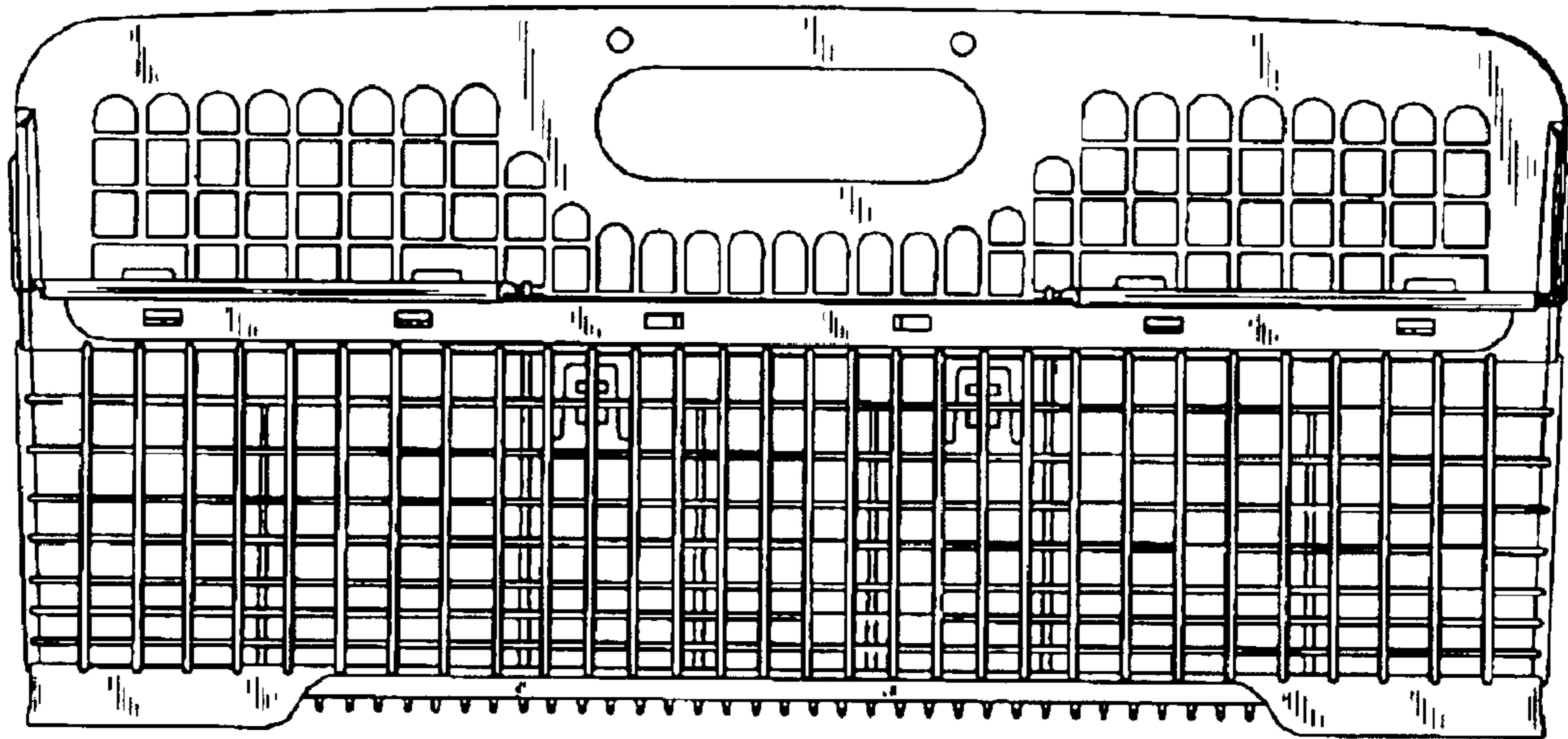
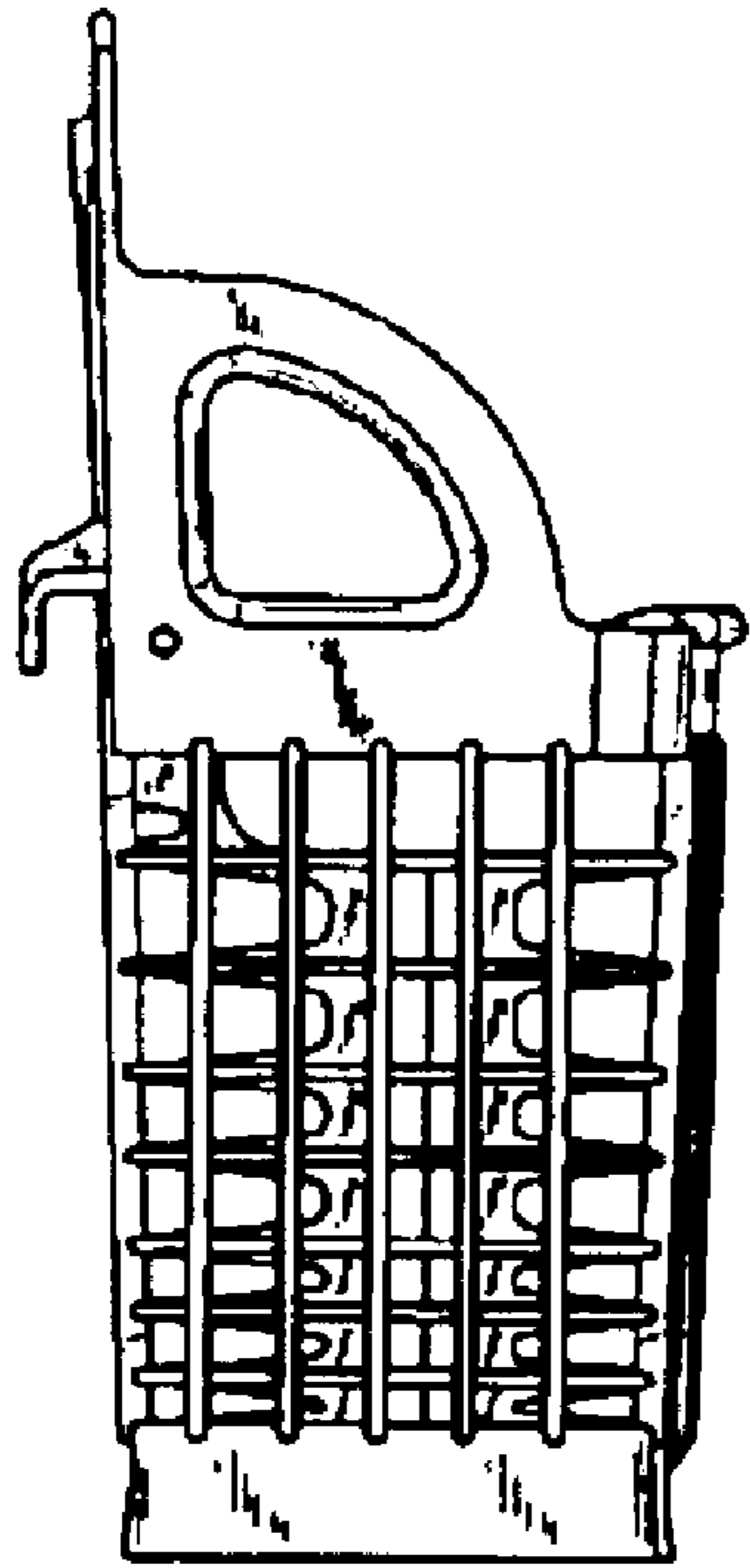


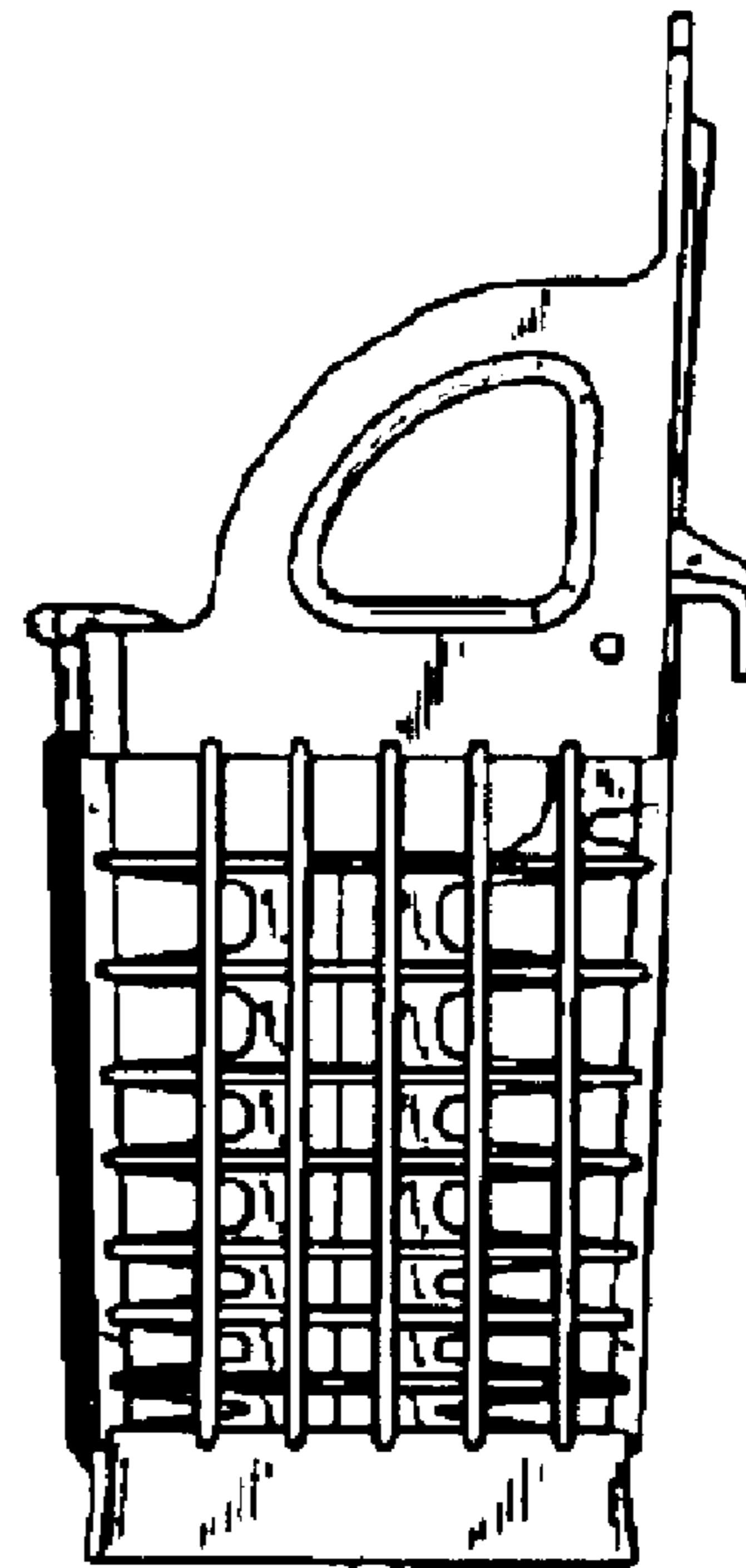
Fig. 1



**Fig. 2**



**Fig. 3**



**Fig. 4**

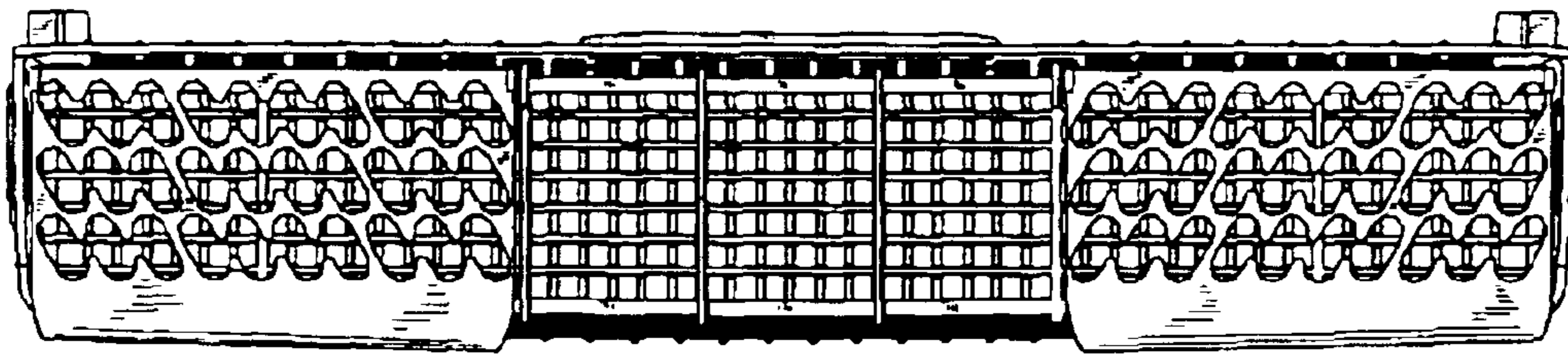


Fig. 5

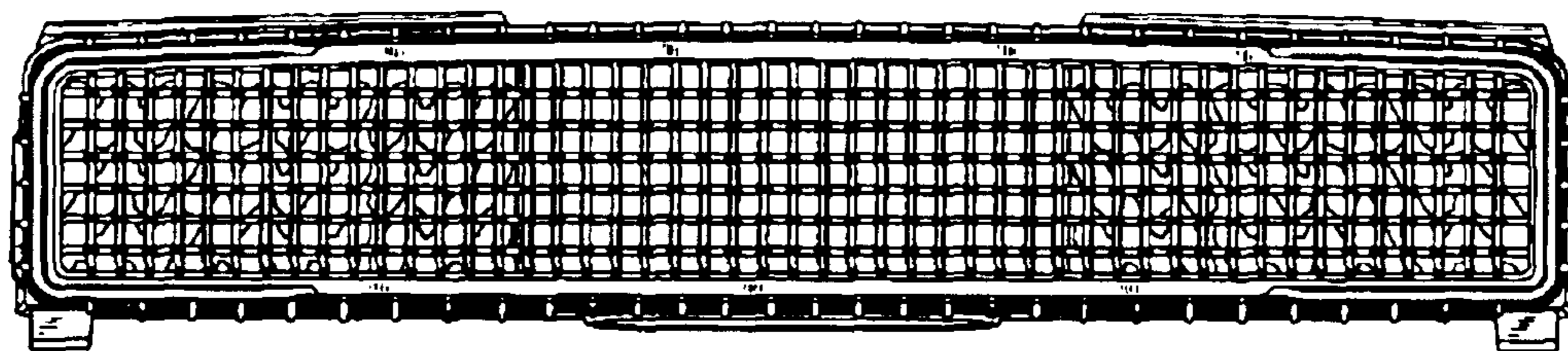
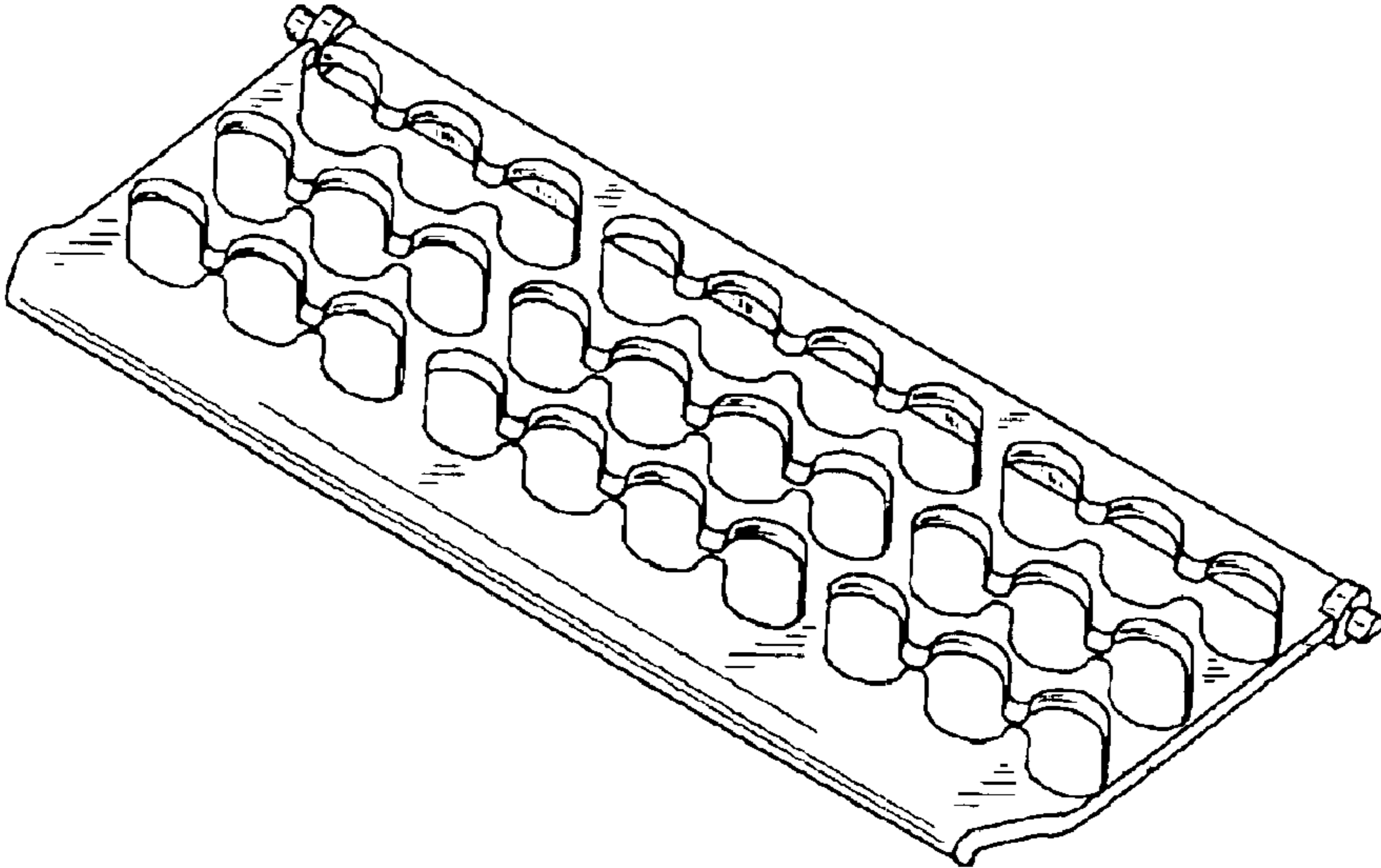
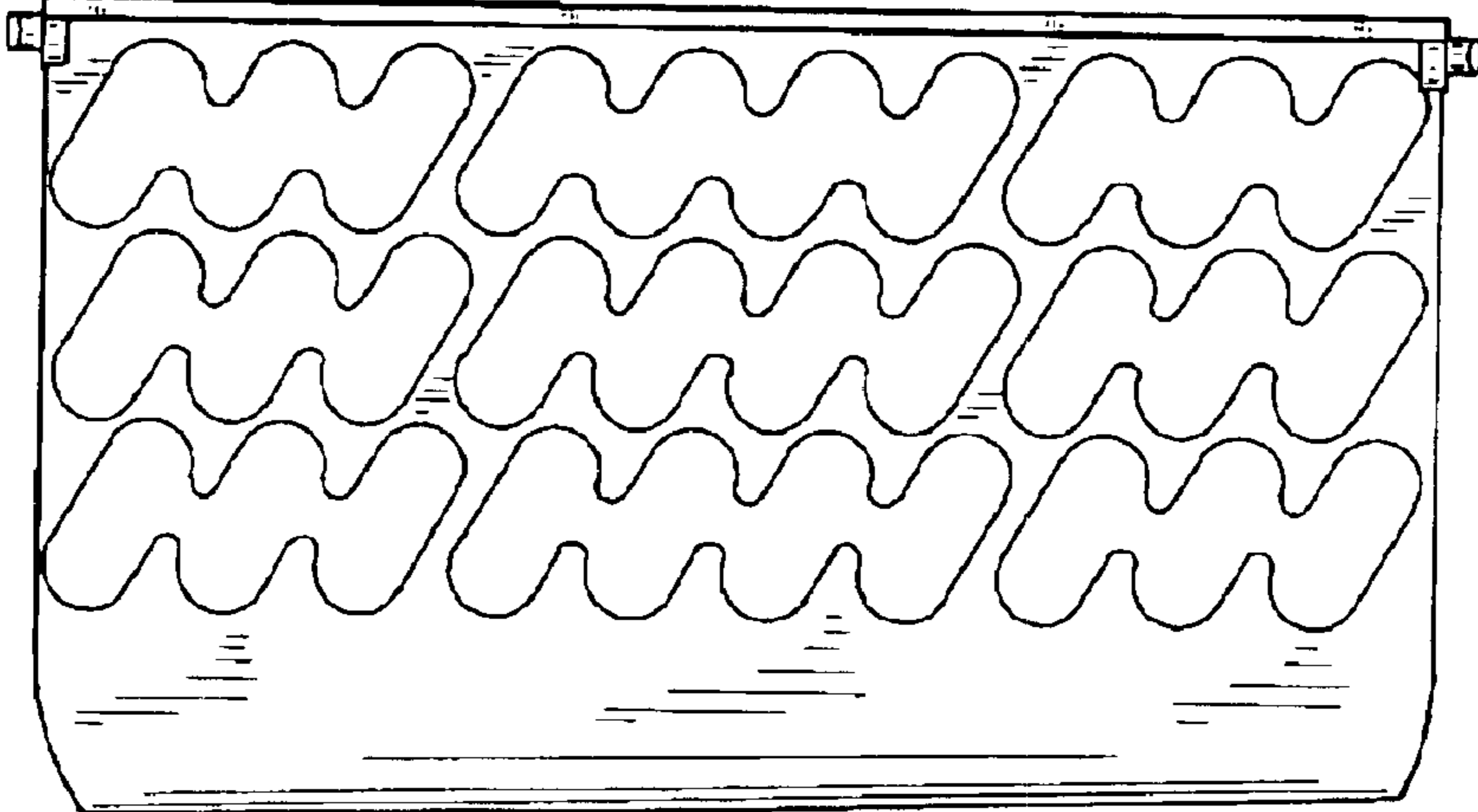


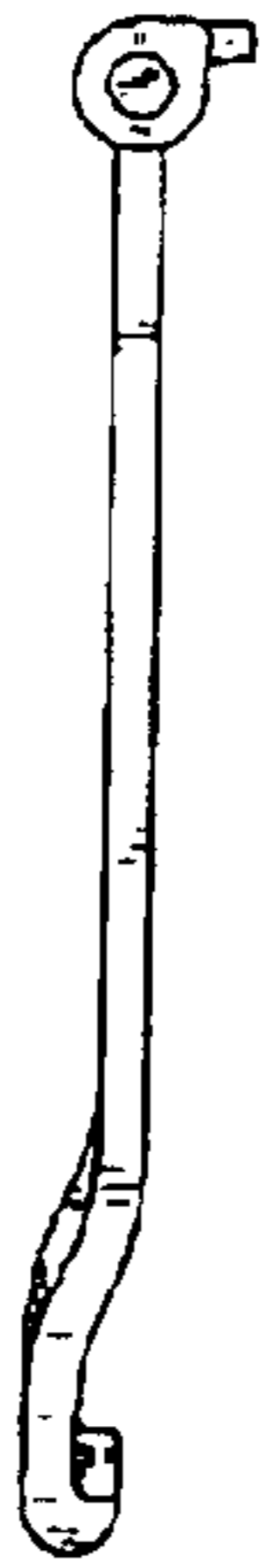
Fig. 6



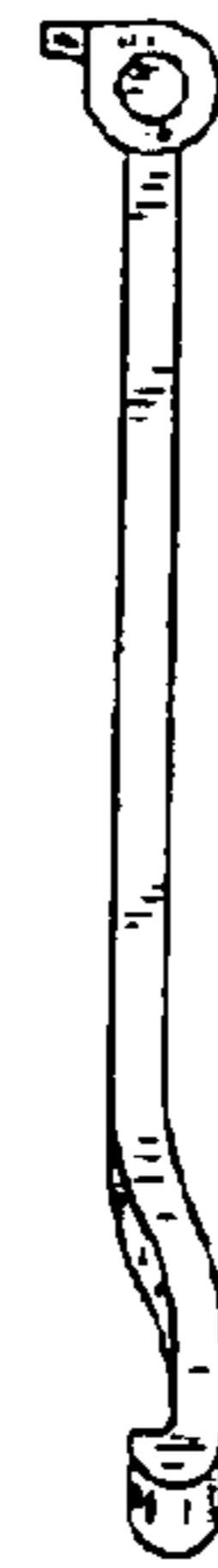
**Fig. 7**



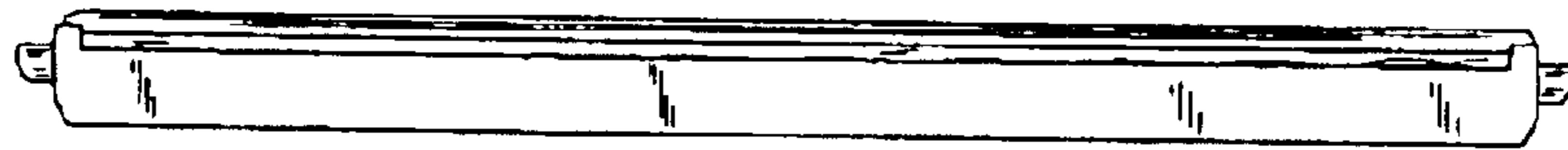
**Fig. 8**



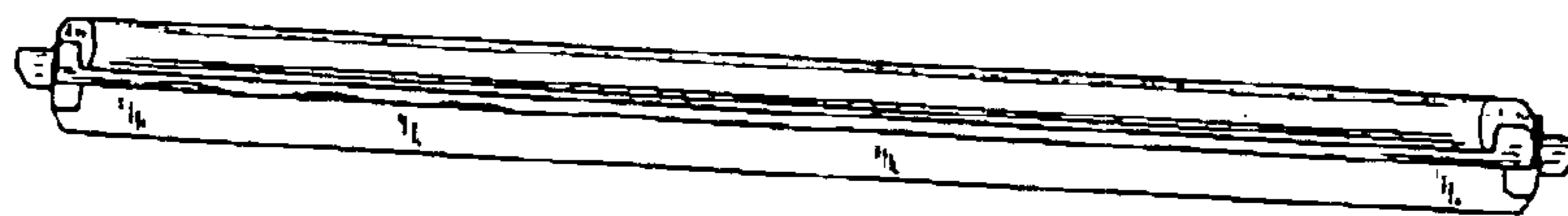
**Fig 9**



**Fig 10**



**Fig 11**



**Fig 12**