

US00D502293S

(12) **United States Design Patent**  
**Harger**

(10) **Patent No.:** **US D502,293 S**

(45) **Date of Patent:** **\*\* Feb. 22, 2005**

(54) **HUMMINGBIRD FEEDER**

D252,288 S \* 7/1979 Kilham ..... D30/125  
D360,710 S \* 7/1995 Colwell ..... D30/121  
D382,376 S \* 8/1997 Bescherer ..... D30/124

(75) **Inventor:** **James Robert Harger**, Rockford, IL  
(US)

\* cited by examiner

(73) **Assignee:** **Century Tool and Manufacturing Co.**  
**Inc.**, Cherry Valley, IL (US)

*Primary Examiner*—Pamela Burgess

(\*\*) **Term:** **14 Years**

(57) **CLAIM**

(21) **Appl. No.:** **29/205,070**

The ornamental design for a hummingbird feeder, as shown and described.

(22) **Filed:** **May 10, 2004**

**DESCRIPTION**

(51) **LOC (7) Cl.** ..... **30-03**

FIG. 1 is a Top plan view of the hummingbird feeder showing my new design;

(52) **U.S. Cl.** ..... **D30/124; D30/125**

FIG. 2 is a front elevation view thereof;

(58) **Field of Search** ..... D30/124, 125;  
119/72, 74, 53, 61, 57.9, 57.8, 77

FIG. 3 is a bottom plan view thereof; and,

FIG. 4 is a perspective view thereof.

(56) **References Cited**

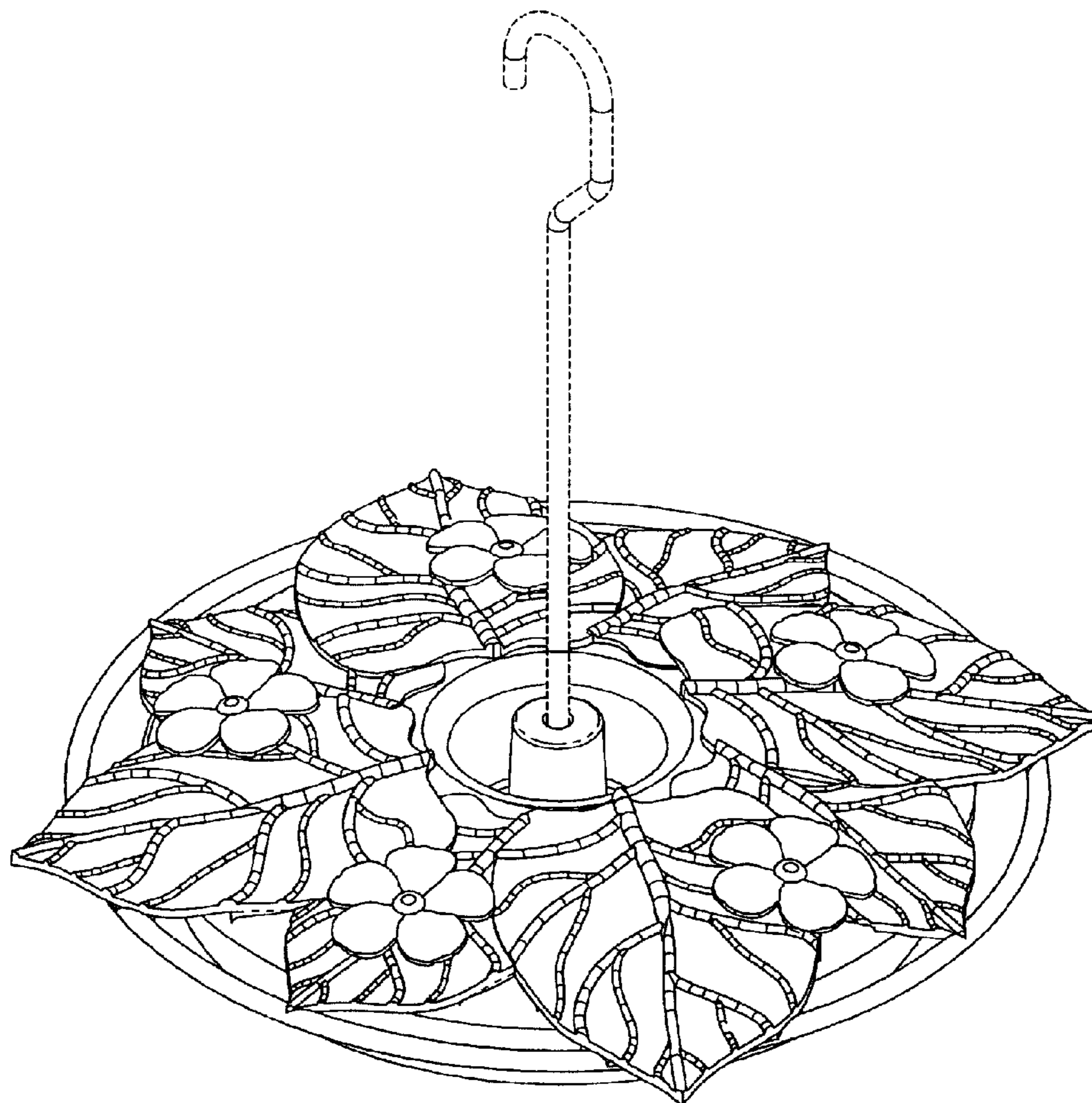
The back, right and left views are similar in appearance to the front.

**U.S. PATENT DOCUMENTS**

The broken lines shown in FIG. 1 are for illustrative purposes only and form no part of the claimed design.

D236,139 S \* 7/1975 Kilham ..... D30/125  
3,913,527 A \* 10/1975 Kilham ..... 119/74  
D239,182 S \* 3/1976 Kilham ..... D30/125

**1 Claim, 3 Drawing Sheets**



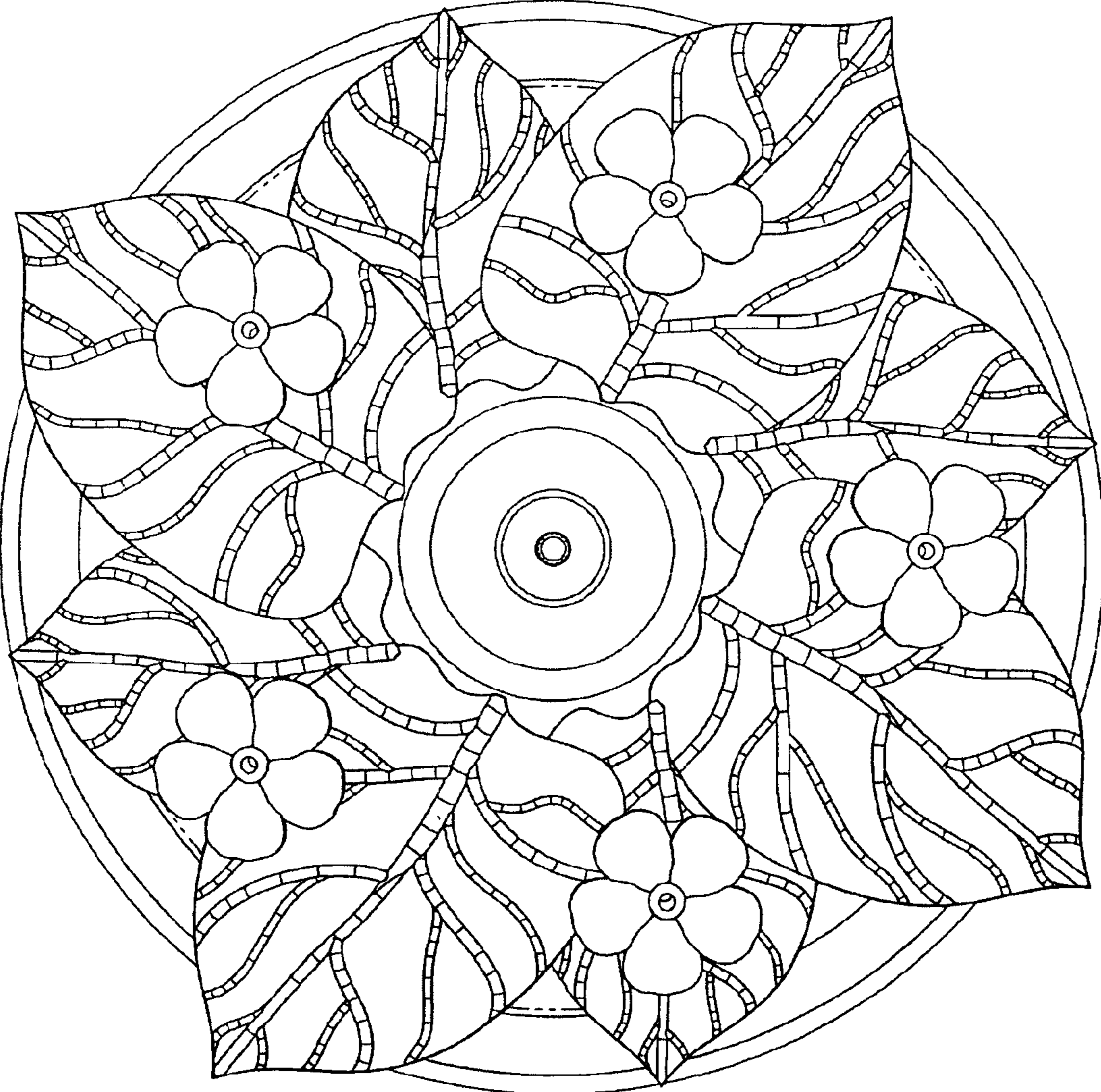


FIGURE #1

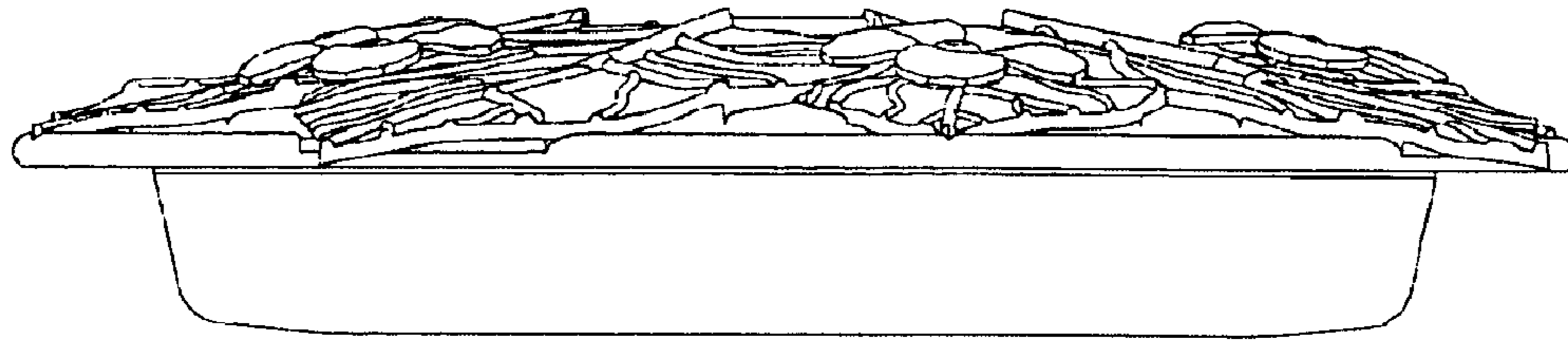


FIGURE #2

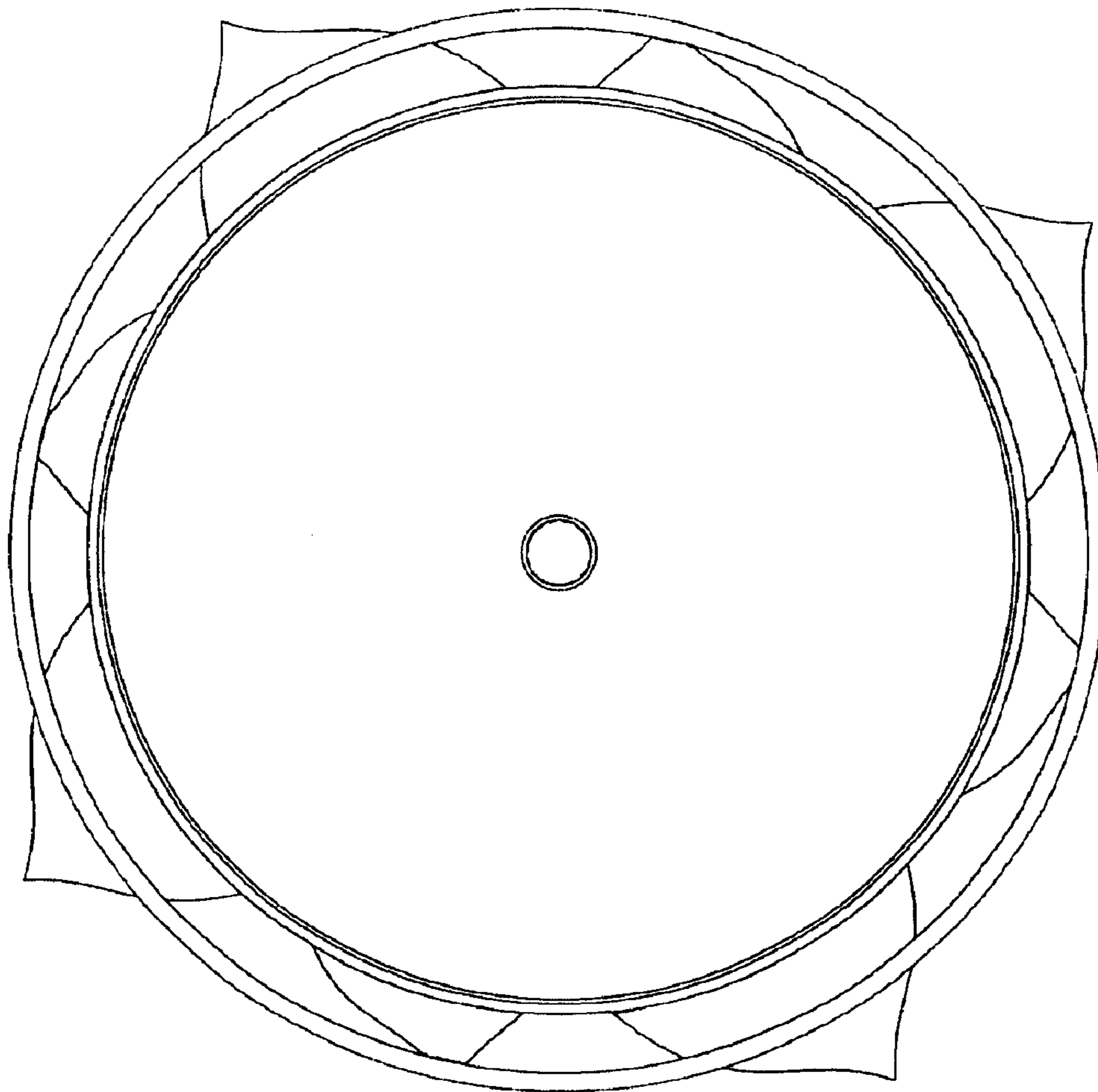


FIGURE #3

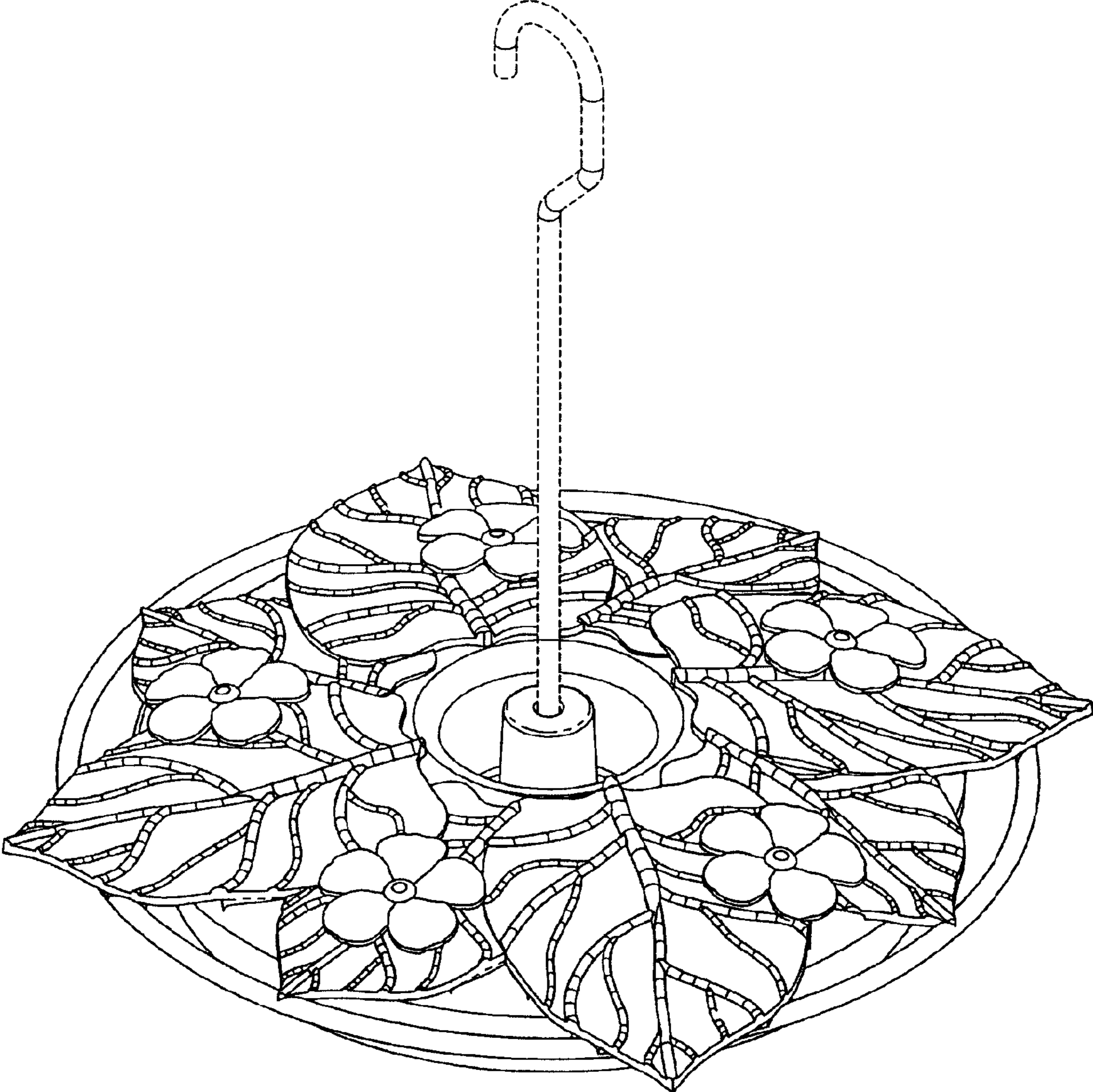


FIGURE #4