

US00D502289S

(12) **United States Design Patent**
Longoria

(10) **Patent No.: US D502,289 S**
(45) **Date of Patent: ** Feb. 22, 2005**

(54) **COVER FOR A HAIR COLORING APPARATUS HEAD**

(75) Inventor: **Jose Longoria**, Miami, FL (US)

(73) Assignee: **Longoria Design LLC**, Miami, FL (US)

(**) Term: **14 Years**

(21) Appl. No.: **29/199,739**

(22) Filed: **Feb. 19, 2004**

(51) **LOC (7) Cl.** **28-02**

(52) **U.S. Cl.** **D28/7; D28/20**

(58) **Field of Search** D28/7, 20, 10, D28/35, 38; D4/102, 114, 128, 121; 132/208, 221, 270, 238, 237, 226, 122, 120, 271, 272, 108, 110; 401/268, 269, 274, 275, 9, 10, 202-207, 19; D9/454, 504

(56) **References Cited**

U.S. PATENT DOCUMENTS

- 2,276,047 A * 3/1942 Kurth 401/88
- 2,865,383 A * 12/1958 McDougall 132/213
- 3,828,802 A * 8/1974 Spanel 132/212
- 4,385,638 A * 5/1983 Hasegawa 132/270
- D288,973 S * 3/1987 Hamazaki D32/35
- D299,558 S * 1/1989 Robison D28/7
- D301,398 S * 6/1989 Cheung D4/102
- D323,568 S * 1/1992 Hackler D28/63

- D341,445 S * 11/1993 Morrison et al. D28/7
- D388,549 S * 12/1997 Mouyiaris et al. D28/82
- D391,162 S * 2/1998 Kokenge D9/504
- D457,433 S * 5/2002 Costanzo et al. D9/454
- 6,626,599 B2 * 9/2003 De Laforcade 401/10
- 6,637,441 B2 * 10/2003 Kennedy et al. 132/212
- D491,310 S * 6/2004 Glucksman et al. D28/35

FOREIGN PATENT DOCUMENTS

CN 2320094 Y * 5/1999

* cited by examiner

Primary Examiner—Lucy Lieberman

(74) *Attorney, Agent, or Firm*—Akerman Senterfitt

(57) **CLAIM**

The ornamental design for a cover for a hair coloring apparatus head, as shown and described.

DESCRIPTION

FIG. 1 is a front perspective view of a cover for a hair coloring apparatus head showing my new design.

FIG. 2 is a front view thereof.

FIG. 3 is a back view thereof.

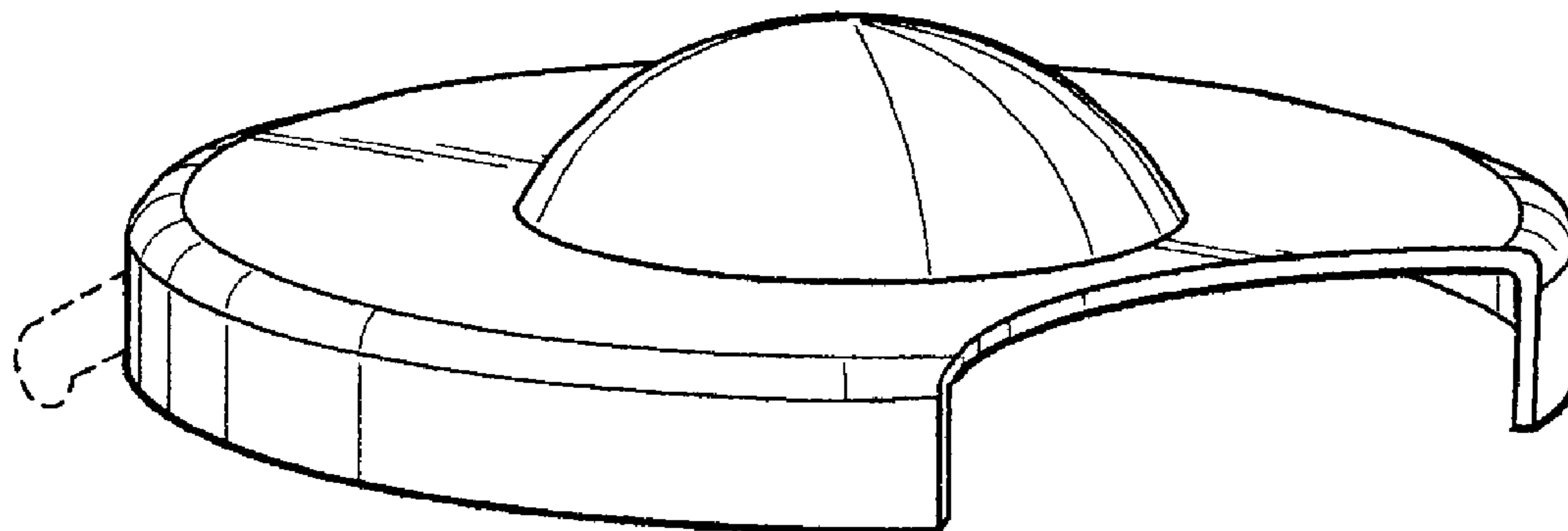
FIG. 4 is a left side view thereof.

FIG. 5 is a top view thereof; and,

FIG. 6 is a bottom view thereof.

The broken lines in the drawings are for illustrative purposes only and do not form part of the claimed design.

1 Claim, 1 Drawing Sheet



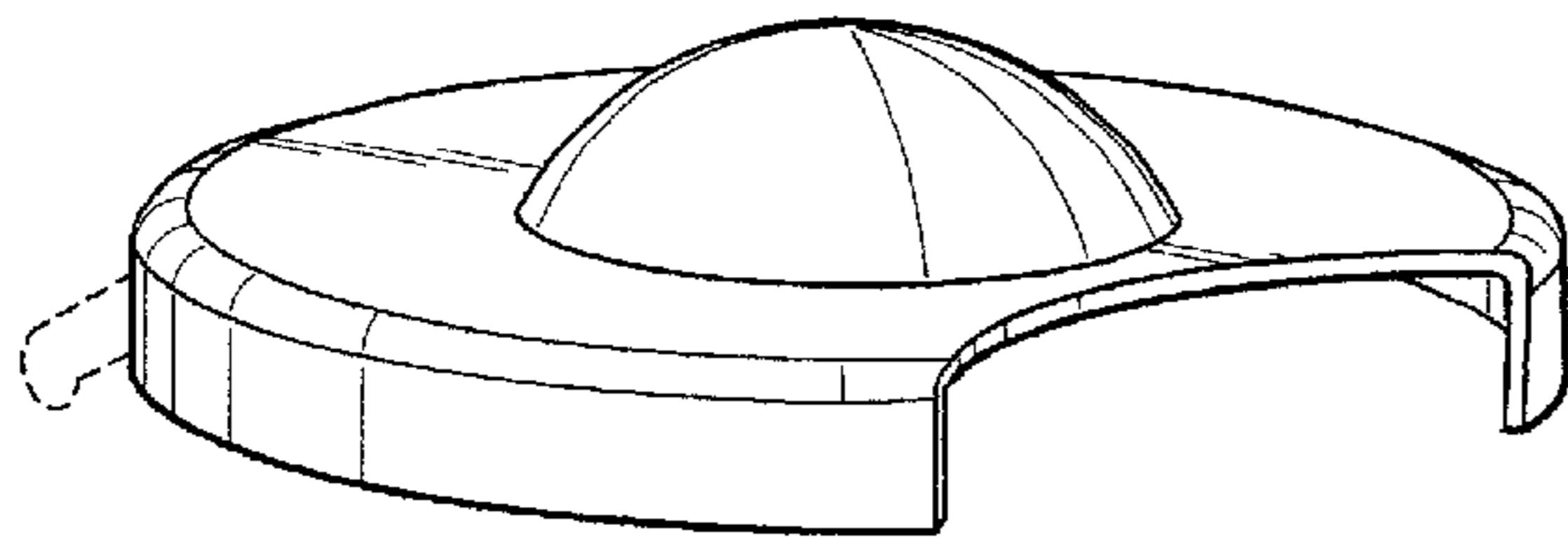


FIG. 1

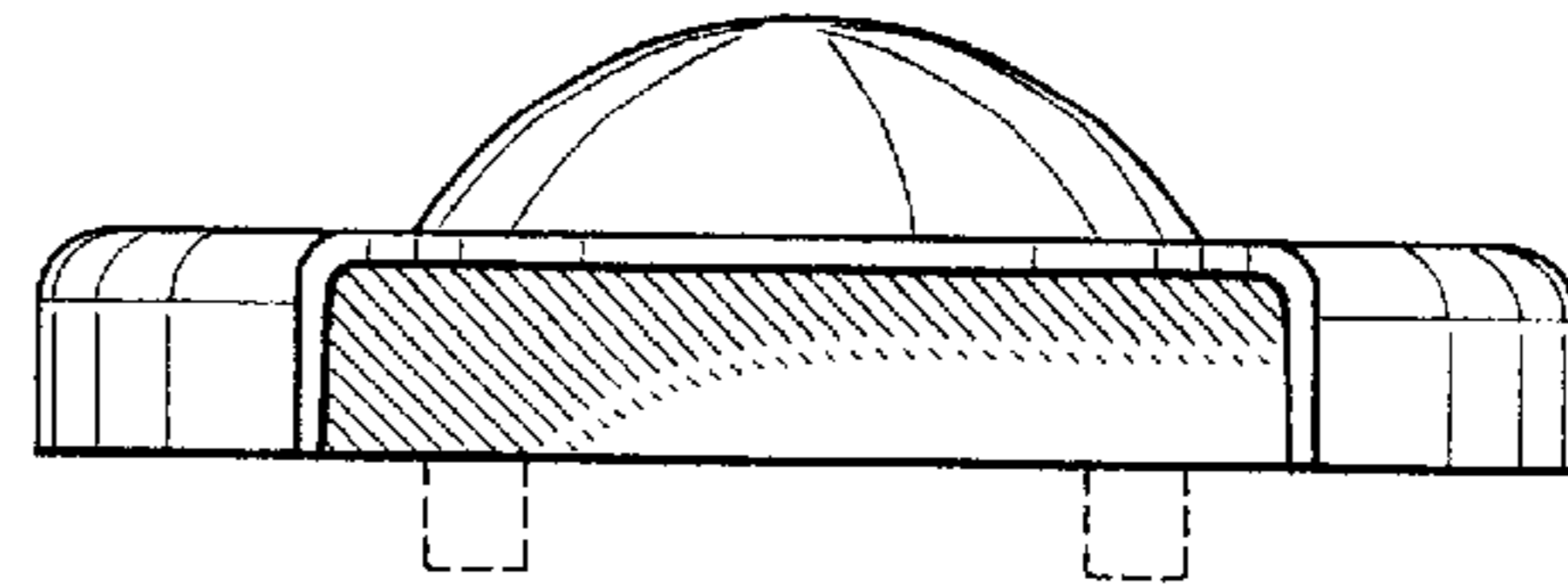


FIG. 2

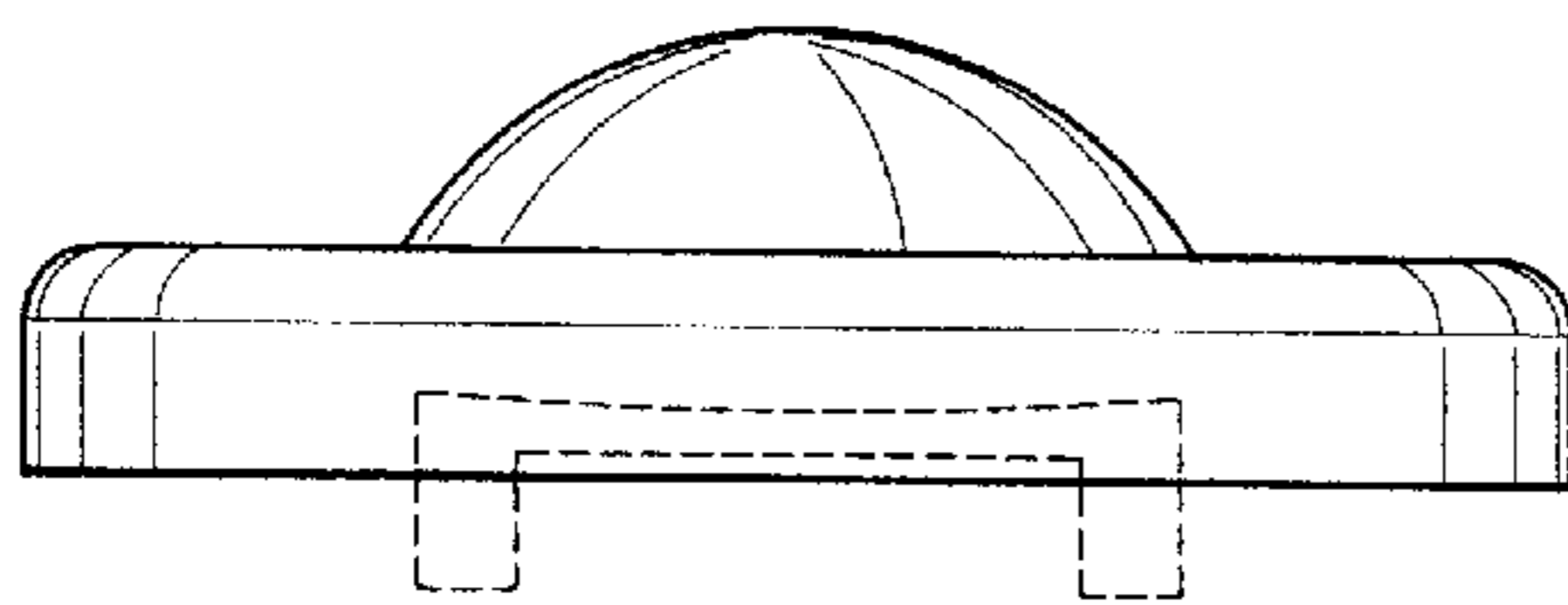


FIG. 3

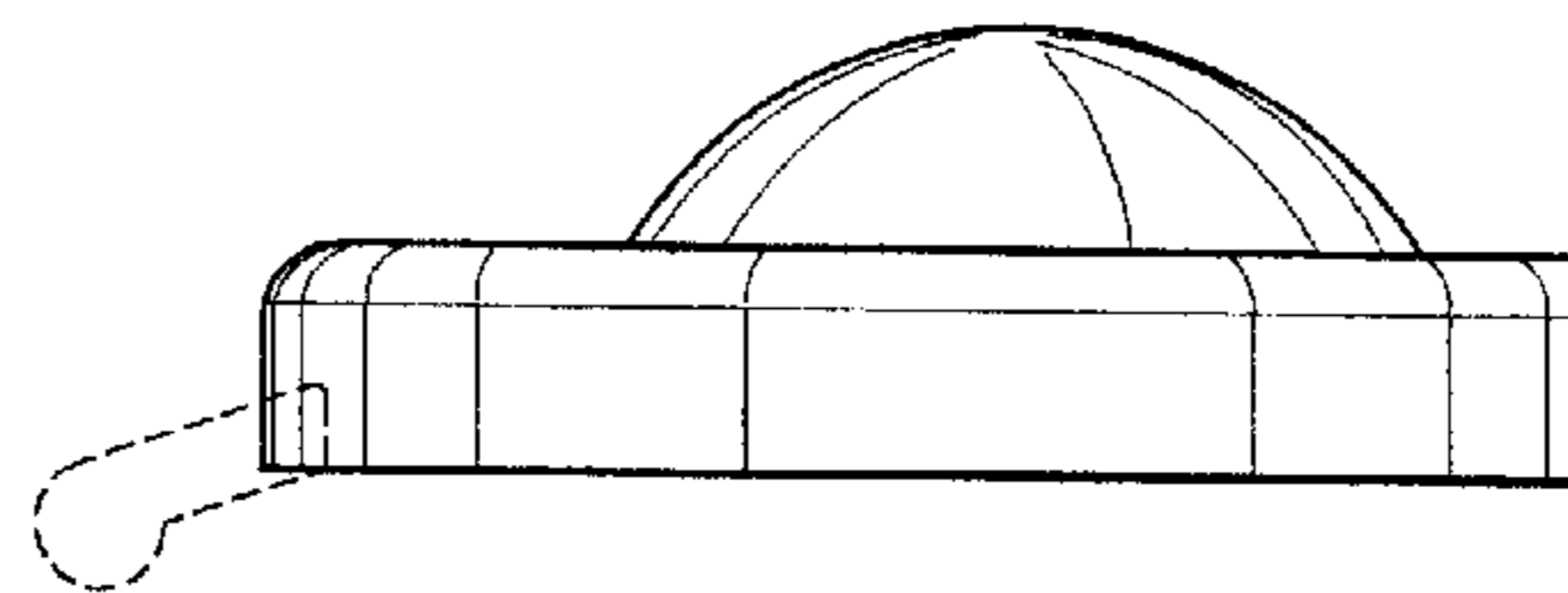


FIG. 4

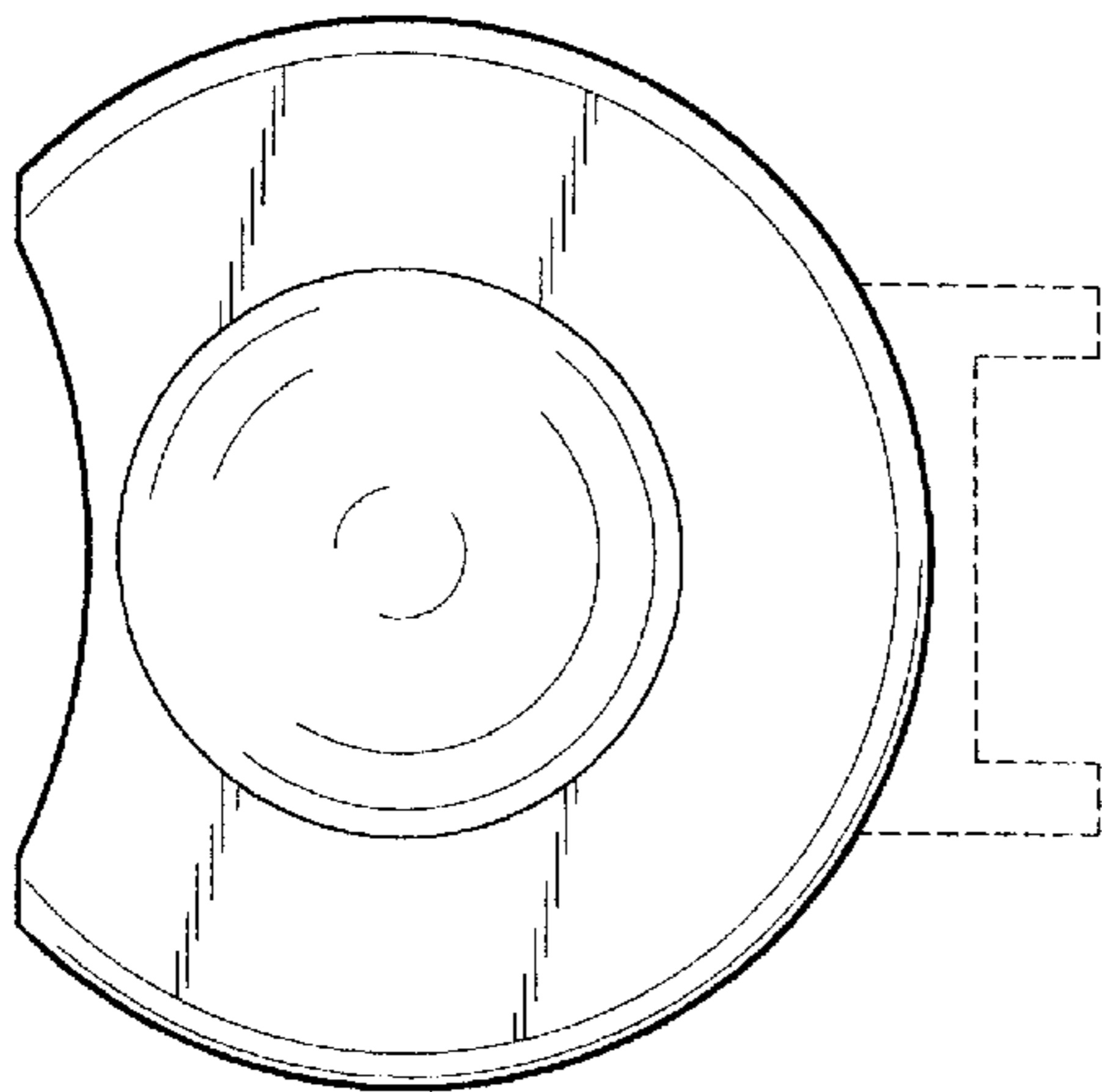


FIG. 5

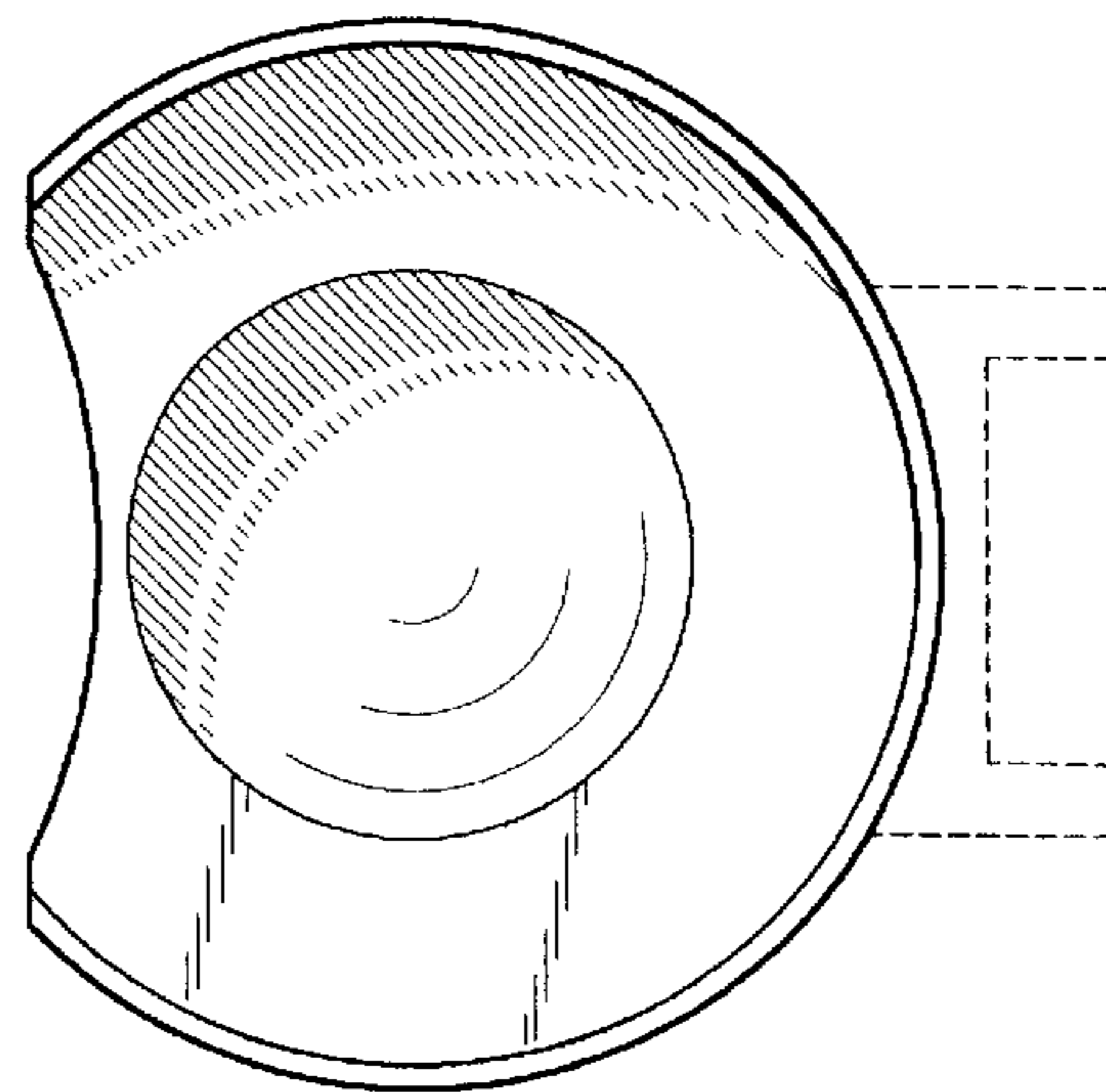


FIG. 6