



US00D502288S

(12) **United States Design Patent**  
**Longoria**

(10) **Patent No.:** **US D502,288 S**

(45) **Date of Patent:** **\*\* Feb. 22, 2005**

(54) **HAIR COLORING APPARATUS**

(75) **Inventor:** **Jose Longoria**, Miami, FL (US)

(73) **Assignee:** **Longoria Design LLC**, Miami, FL (US)

(\*\*) **Term:** **14 Years**

(21) **Appl. No.:** **29/199,738**

(22) **Filed:** **Feb. 19, 2004**

(51) **LOC (7) Cl.** ..... **28-02**

(52) **U.S. Cl.** ..... **D28/7; D28/20**

(58) **Field of Search** ..... **D28/7, 20, 10, D28/35, 38; D4/102, 114, 128, 121; 132/208, 221, 270, 238, 237, 226, 122, 120, 271, 272, 108, 110; 401/268, 269, 274, 275, 9, 10, 19, 202-207**

(56) **References Cited**

**U.S. PATENT DOCUMENTS**

2,865,383	A	*	12/1958	McDougall	.....	132/213
D207,393	S	*	4/1967	Polatchak	.....	D4/102
4,385,638	A	*	5/1983	Hasegawa	.....	132/270
5,033,897	A	*	7/1991	Chen	.....	401/281
D341,445	S	*	11/1993	Morrison et al.	.....	D28/7
5,322,382	A	*	6/1994	Hull et al.	.....	401/131
D361,404	S	*	8/1995	Haas	.....	D28/7

5,454,659	A	*	10/1995	Vosbikian et al.	.....	401/207
D452,044	S	*	12/2001	Goetschi	.....	D28/20
6,626,599	B2	*	9/2003	De Laforcade	.....	401/10
6,637,441	B2	*	10/2003	Kennedy et al.	.....	132/212
6,691,712	B2	*	2/2004	Chu et al.	.....	132/112
D491,310	S	*	6/2004	Glucksman et al.	.....	D28/35
6,746,165	B2	*	6/2004	de Laforcade	.....	401/10

\* cited by examiner

*Primary Examiner*—Lucy Lieberman

(74) *Attorney, Agent, or Firm*—Akerman Senterfitt

(57) **CLAIM**

The ornamental design for a hair coloring apparatus, as shown and described.

**DESCRIPTION**

FIG. 1 is a front perspective view of a hair coloring apparatus showing my new design.

FIG. 2 is a left side view thereof.

FIG. 3 is a front view thereof.

FIG. 4 is a right side view thereof.

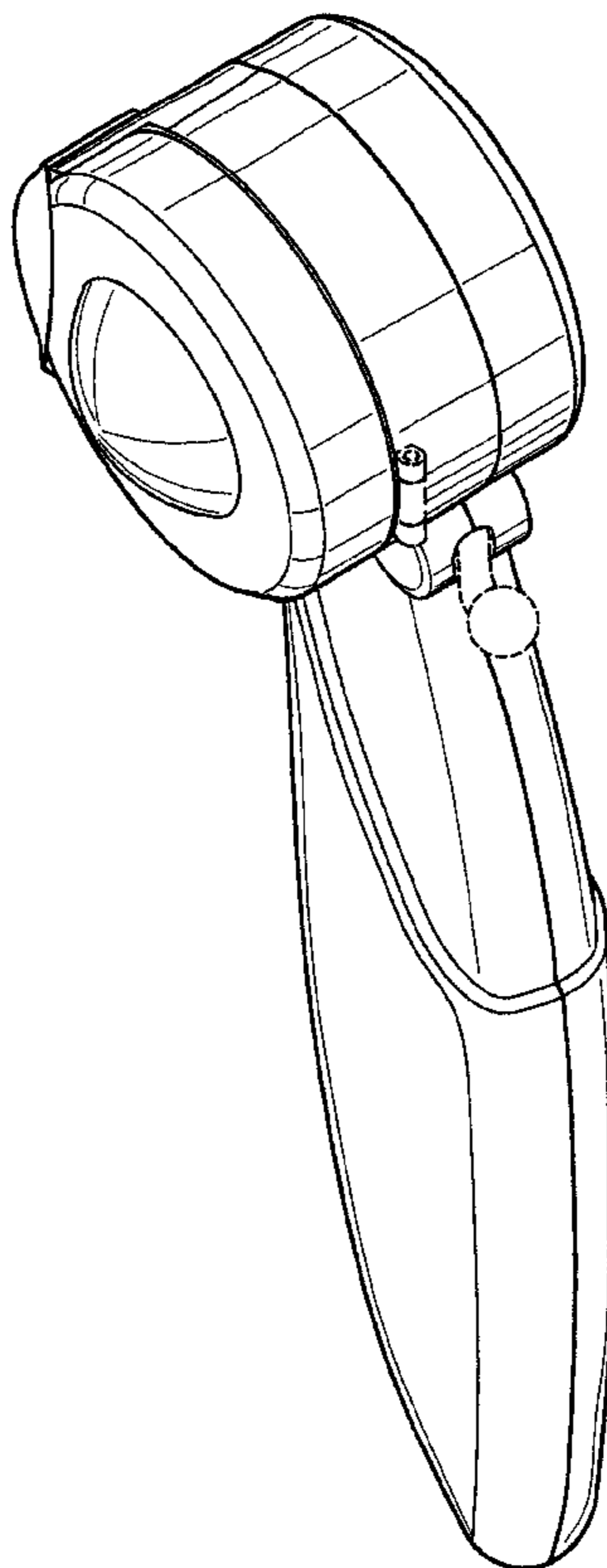
FIG. 5 is a back view thereof.

FIG. 6 is a top view thereof; and,

FIG. 7 is a bottom view thereof.

The broken lines in the drawings are for illustrative purposes only and do not form part of the claimed design.

**1 Claim, 4 Drawing Sheets**



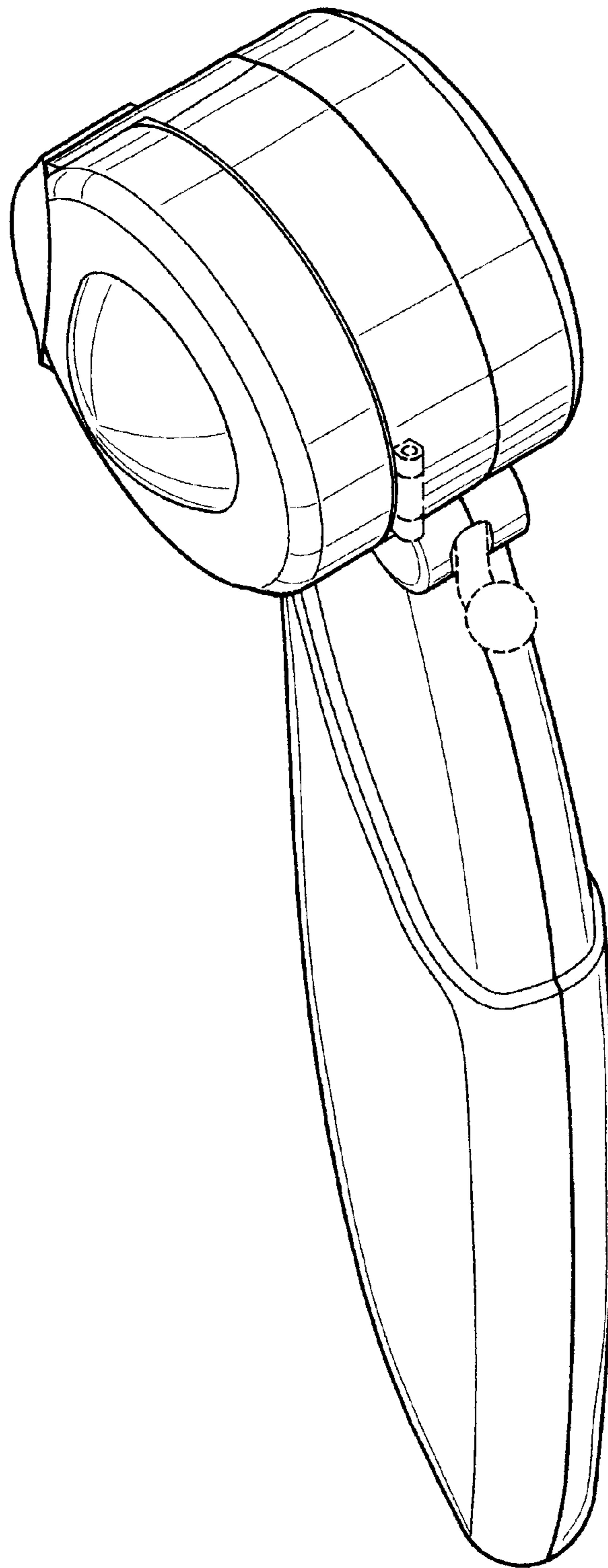


FIG. 1

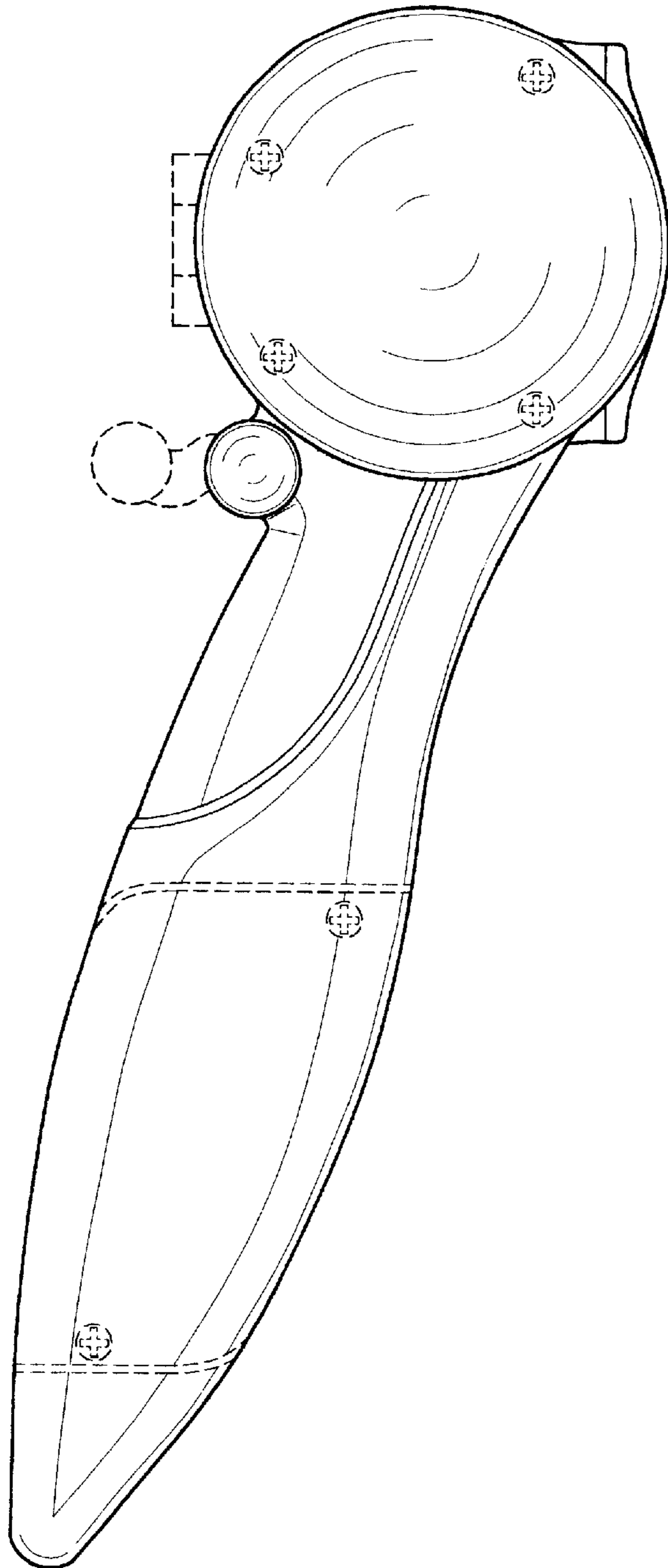


FIG. 2

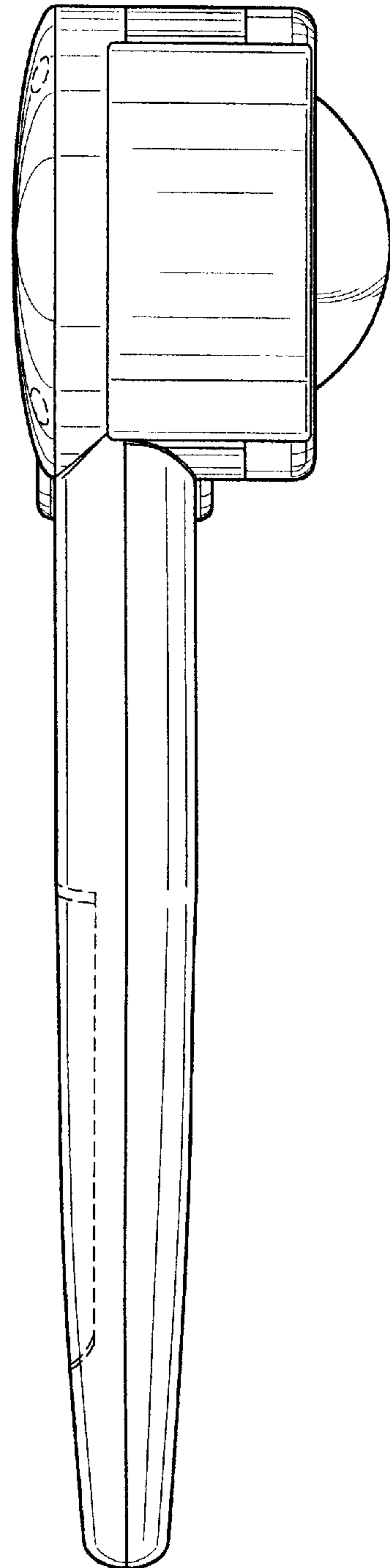


FIG. 3

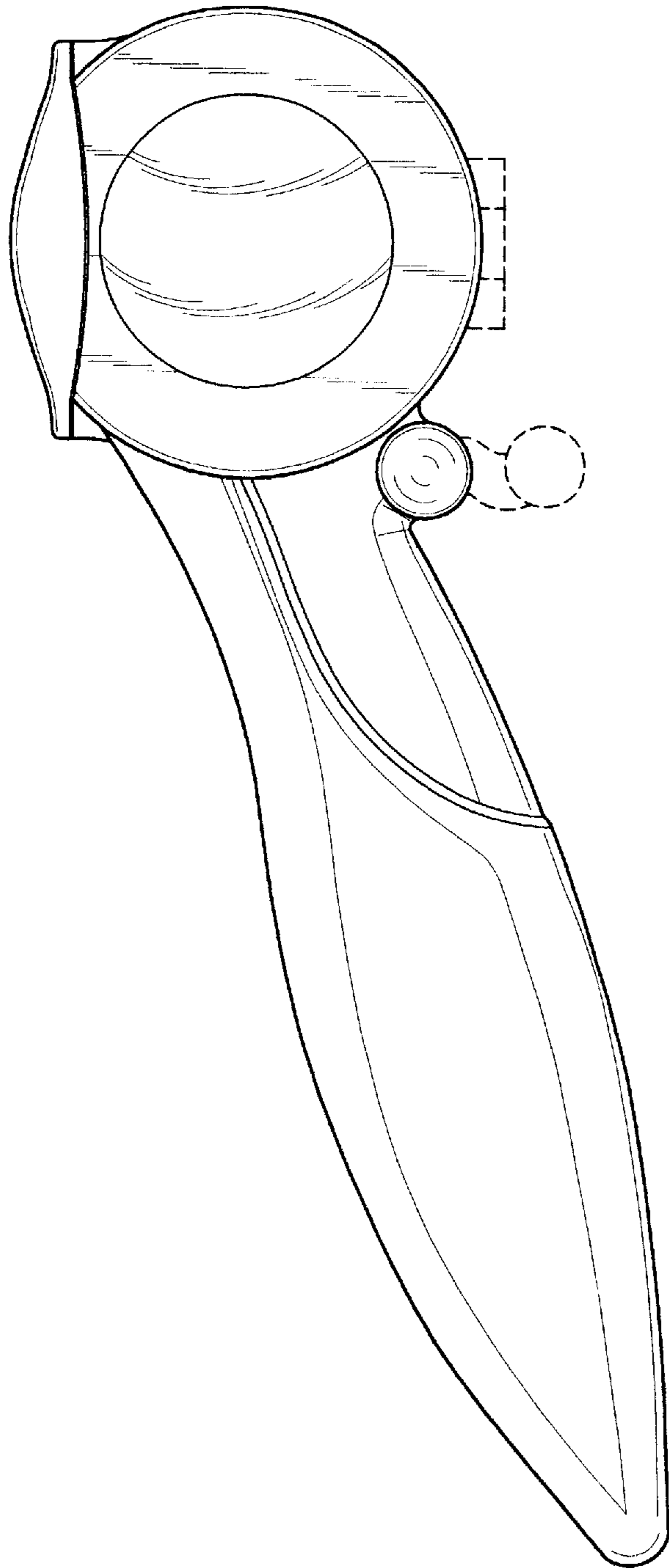


FIG. 4

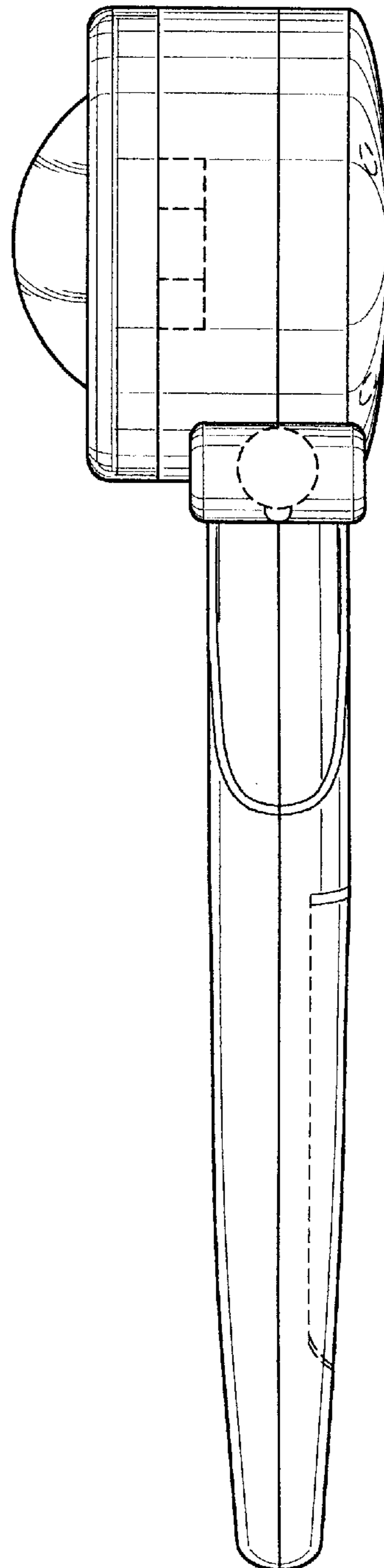


FIG. 5

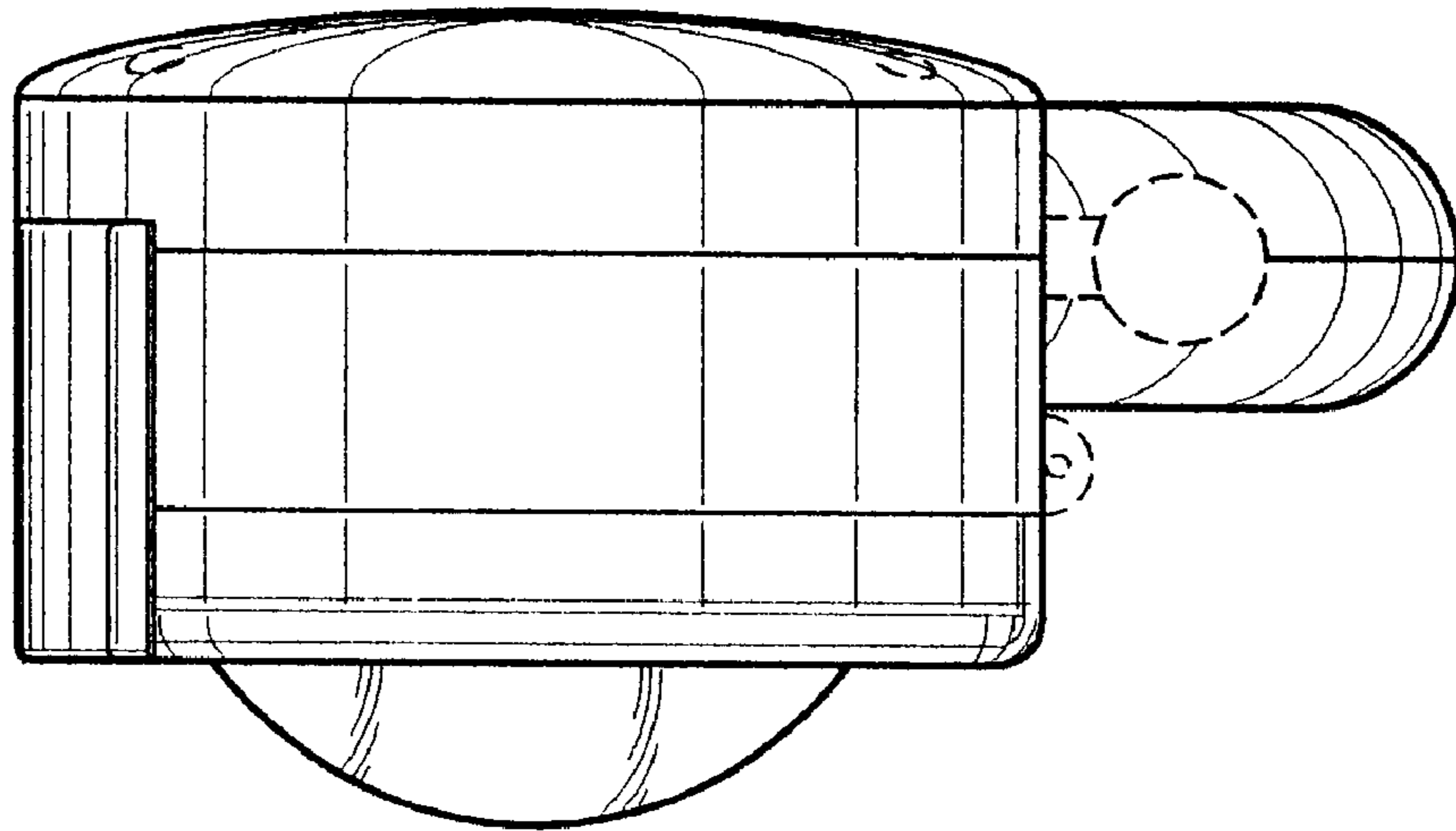


FIG. 6

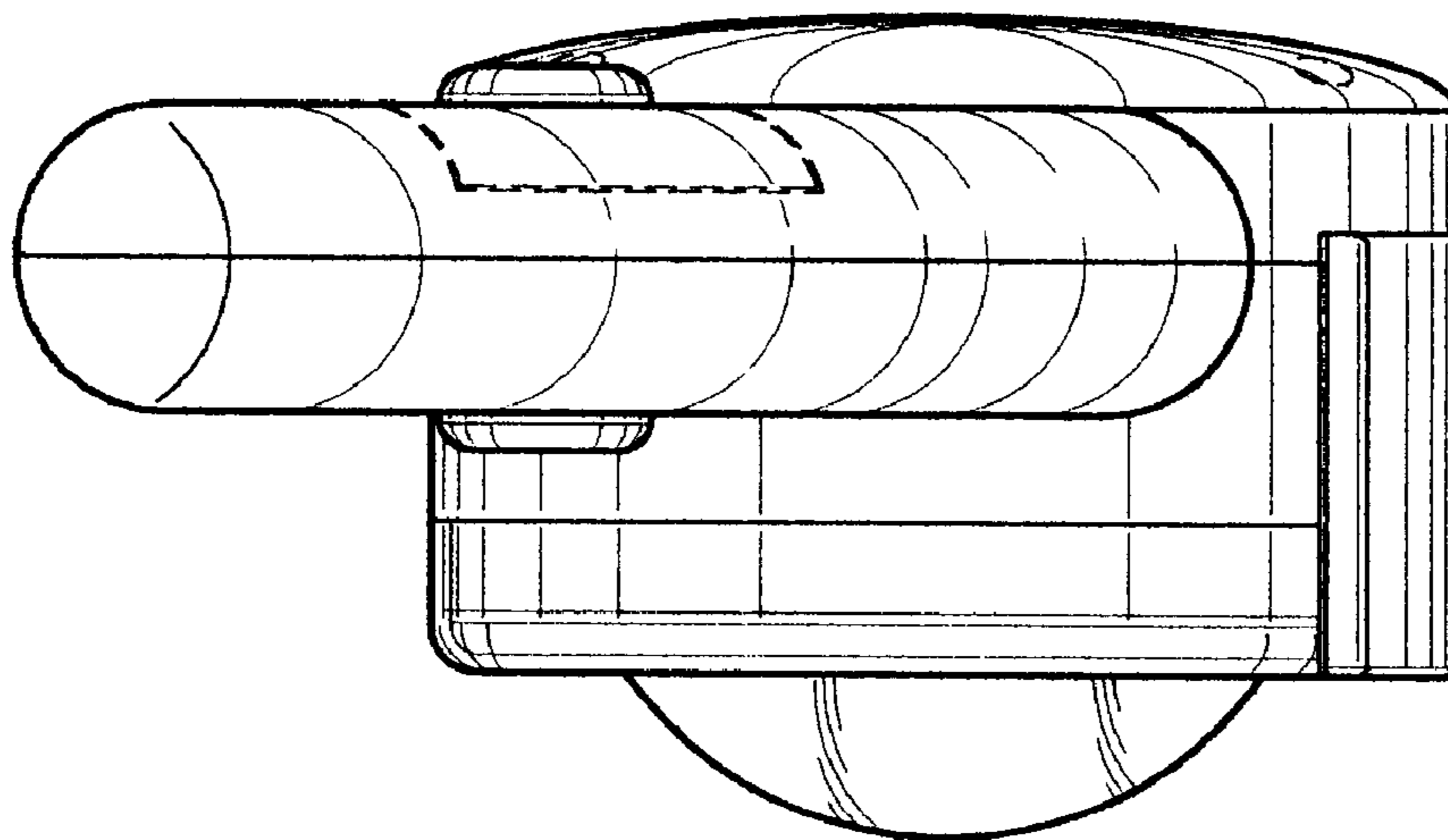


FIG. 7