

US00D502284S

(12) **United States Design Patent**
Egawa et al.

(10) **Patent No.: US D502,284 S**
(45) **Date of Patent: ** Feb. 22, 2005**

(54) **REFLECTOR FOR LIGHTING DEVICE**

5,544,019 A * 8/1996 Tatavoosian et al. 362/326
2004/0090765 A1 * 5/2004 Yu et al. 362/330

(75) Inventors: **Kazuo Egawa**, Tokyo (JP); **Keiichi Shimizu**, Tokyo (JP)

FOREIGN PATENT DOCUMENTS

(73) Assignee: **Toshiba Lighting & Technology Corporation**, Tokyo (JP)

JP 1183398 9/2003

(**) Term: **14 Years**

* cited by examiner

Primary Examiner—Jennifer Rivard

(21) Appl. No.: **29/186,942**

(74) *Attorney, Agent, or Firm*—J.C. Patents

(22) Filed: **Jul. 23, 2003**

(57) **CLAIM**

The ornamental design for a reflector for lighting device, as shown and described.

(30) **Foreign Application Priority Data**

DESCRIPTION

Jan. 31, 2003 (JP) 2003-002276

(51) **LOC (7) Cl.** **26-99**

FIG. 1 is a front view of a reflector for light device showing the new design.

(52) **U.S. Cl.** **D26/122**

FIG. 2 is a rear view thereof.

(58) **Field of Search** D26/76, 118, 120–122;
362/217, 222, 223–225, 290, 326, 330,
331, 339; 136/251; 359/352

FIG. 3 is a right side view thereof, the left side view being a mirror image of the right side view.

(56) **References Cited**

FIG. 4 is a top view thereof, the bottom view being a mirror image of the top view.

U.S. PATENT DOCUMENTS

FIG. 5 is a cross-sectional view taken along line 5—5 in FIG. 1; and,

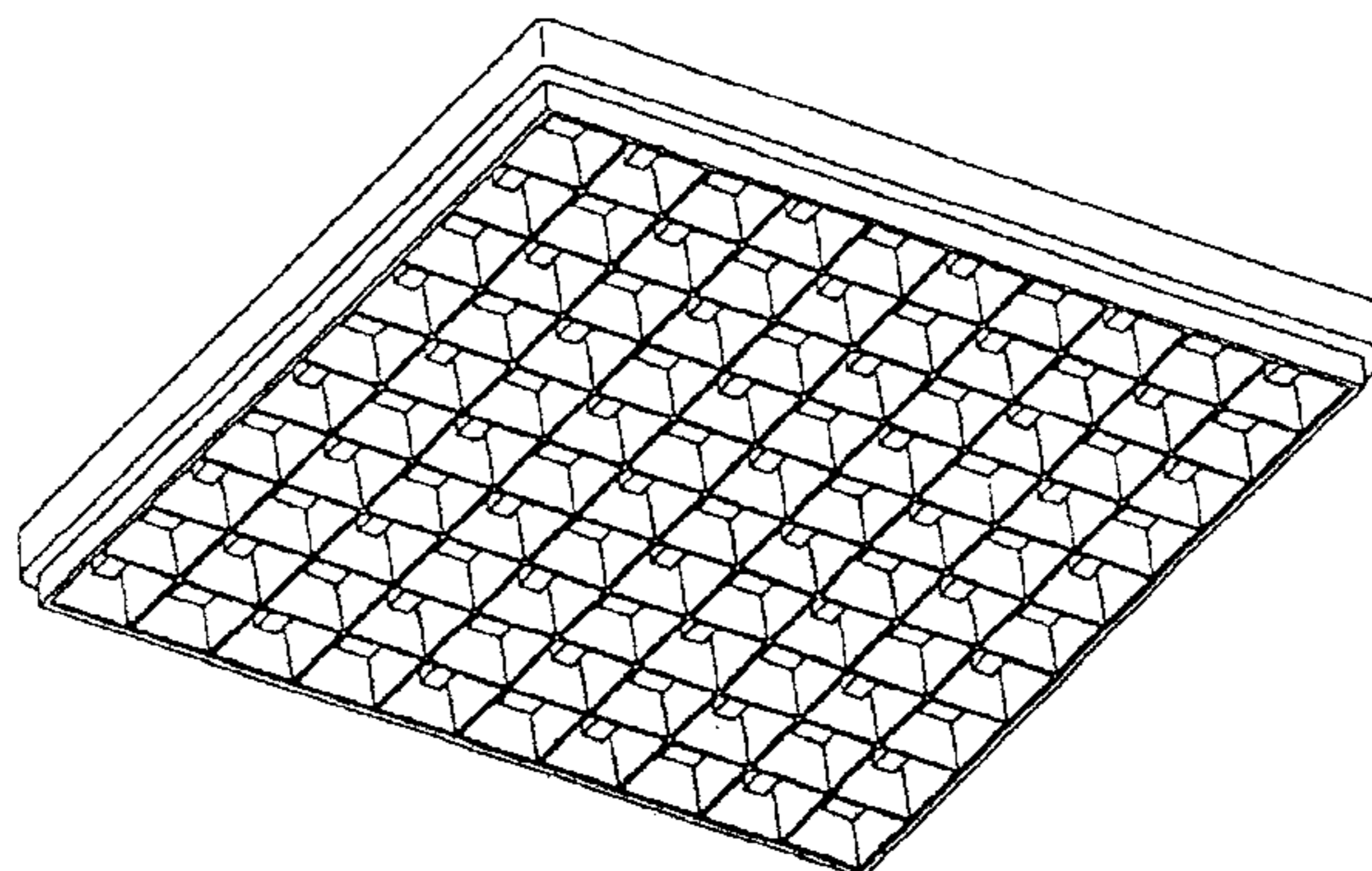
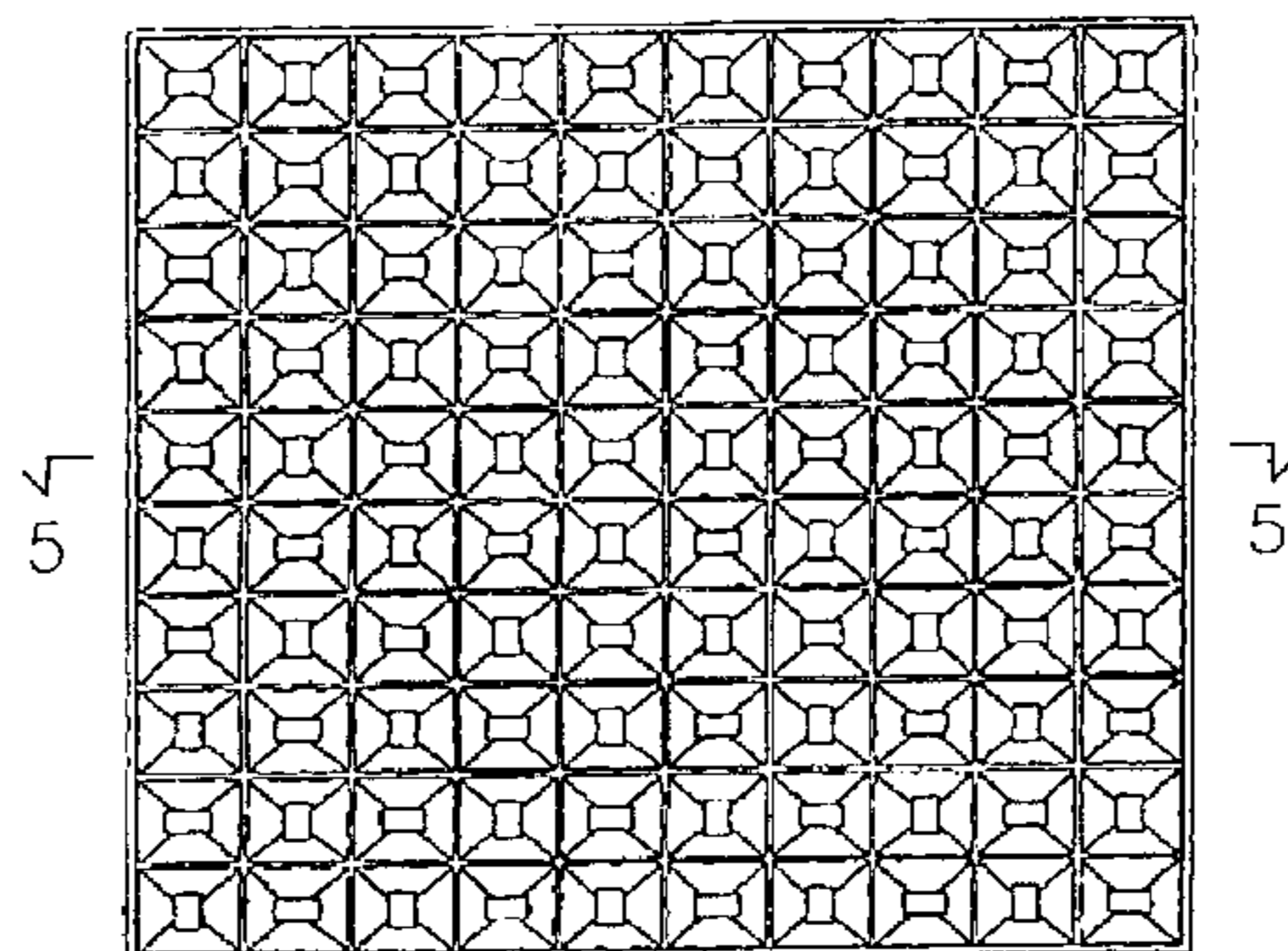
3,163,367 A * 12/1964 Bodian 362/330

FIG. 6 is a reference perspective view of a reflector for light device in use.

D206,283 S * 11/1966 Higb D26/122

D227,610 S * 7/1973 Nagel D26/122

1 Claim, 6 Drawing Sheets



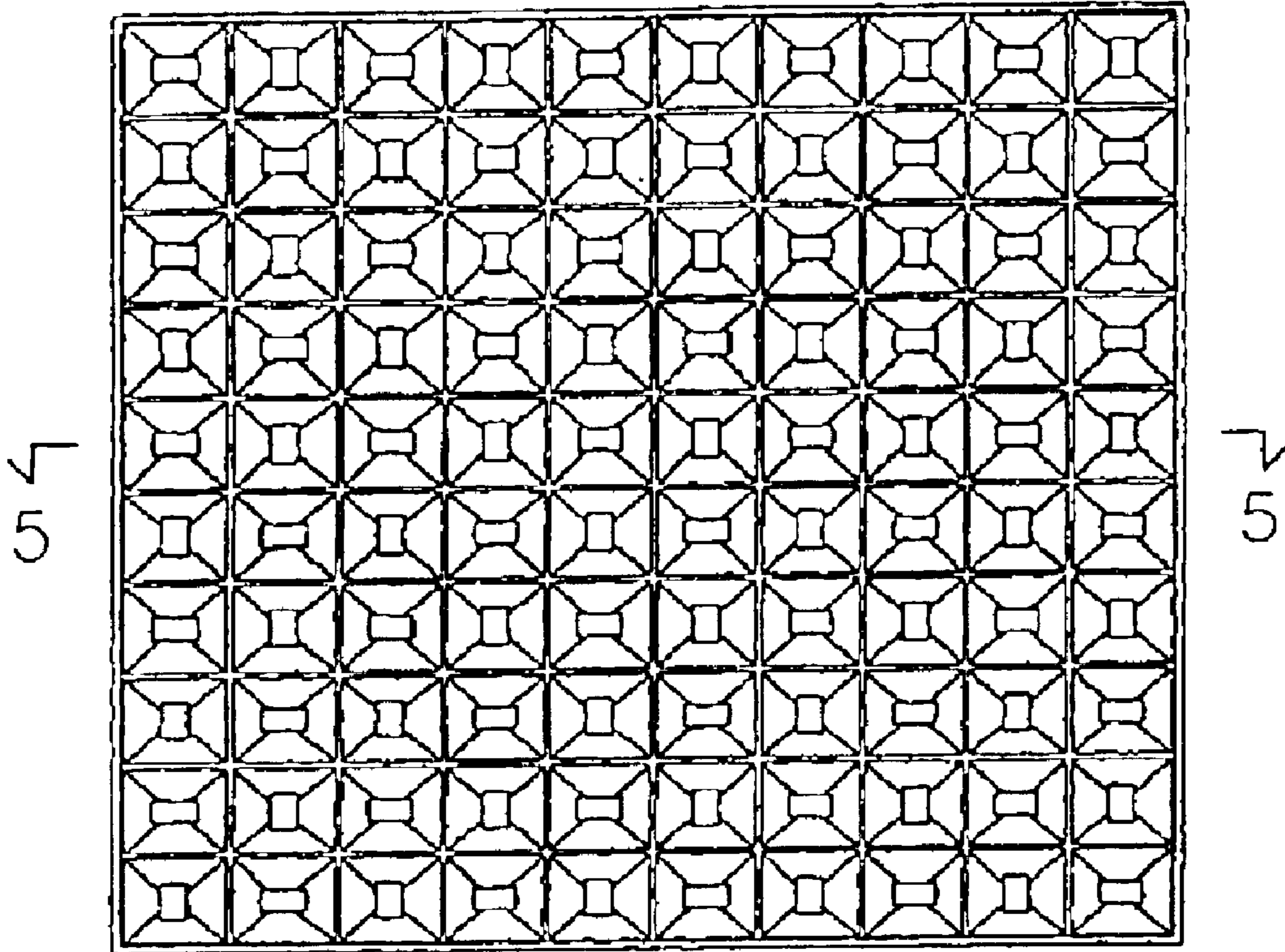


FIG. 1

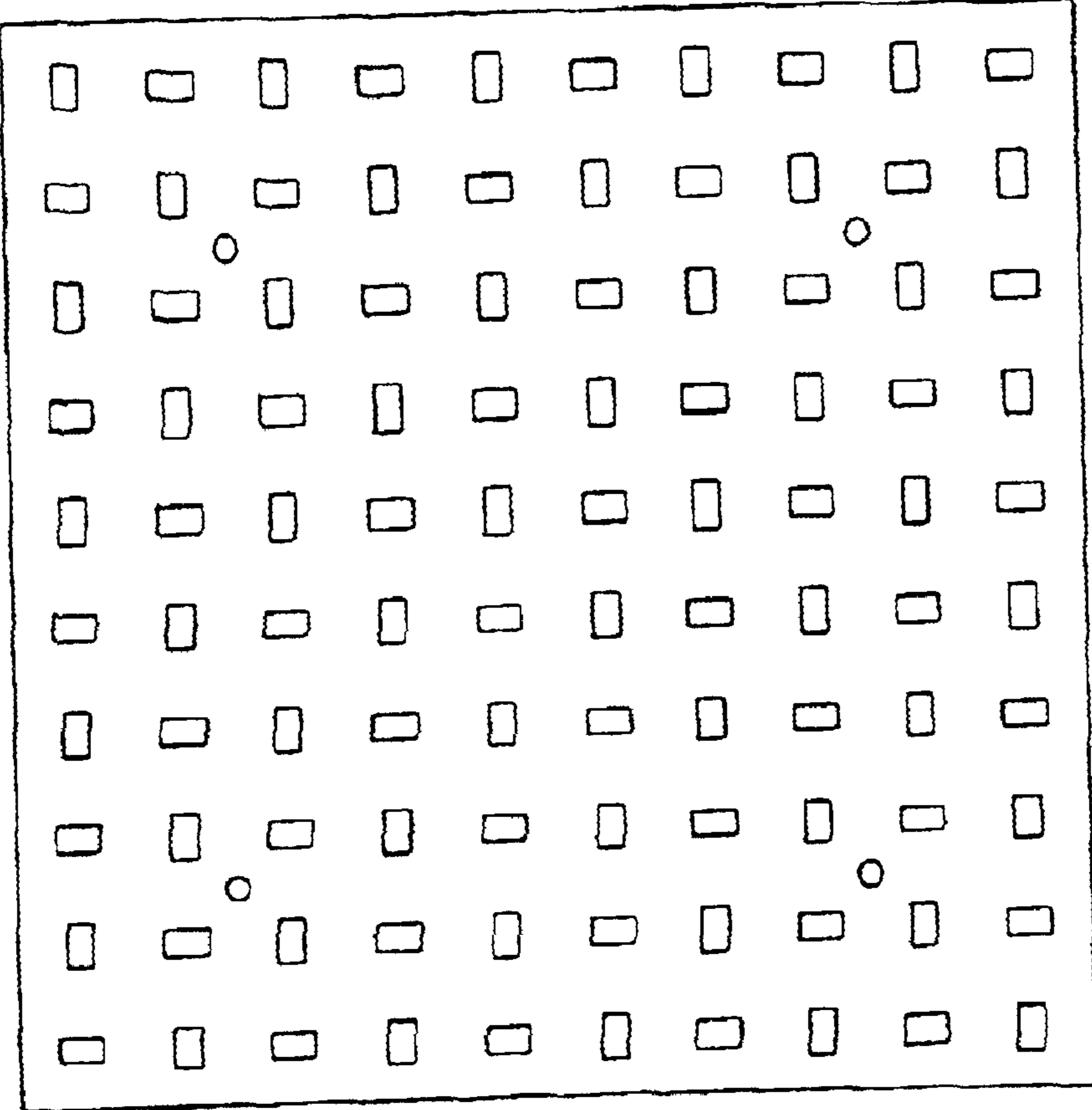


FIG. 2

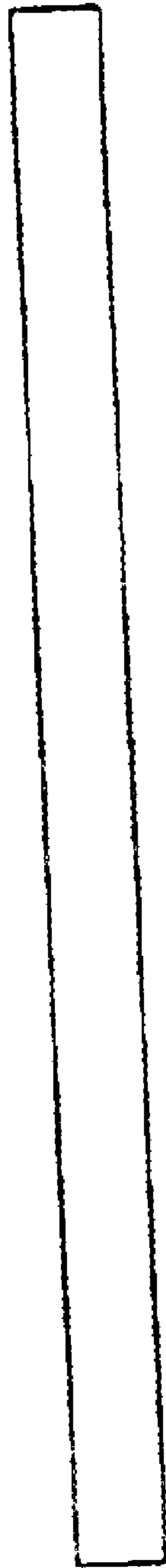


FIG. 3

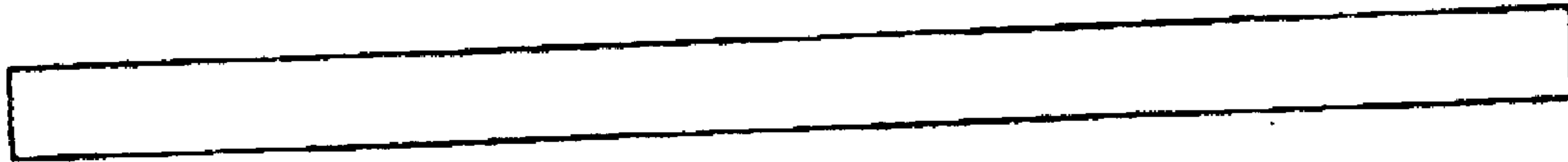


FIG. 4

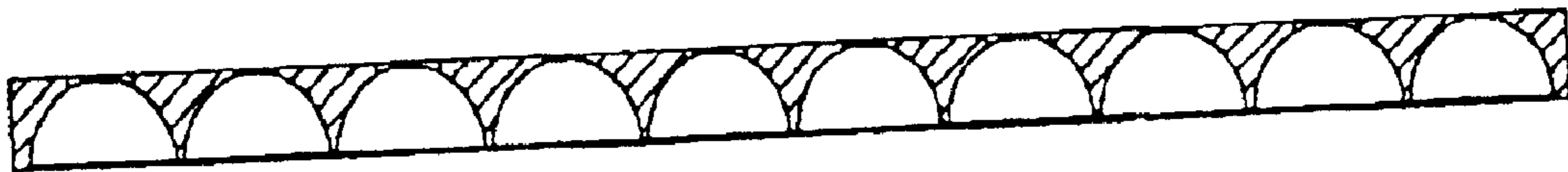


FIG. 5

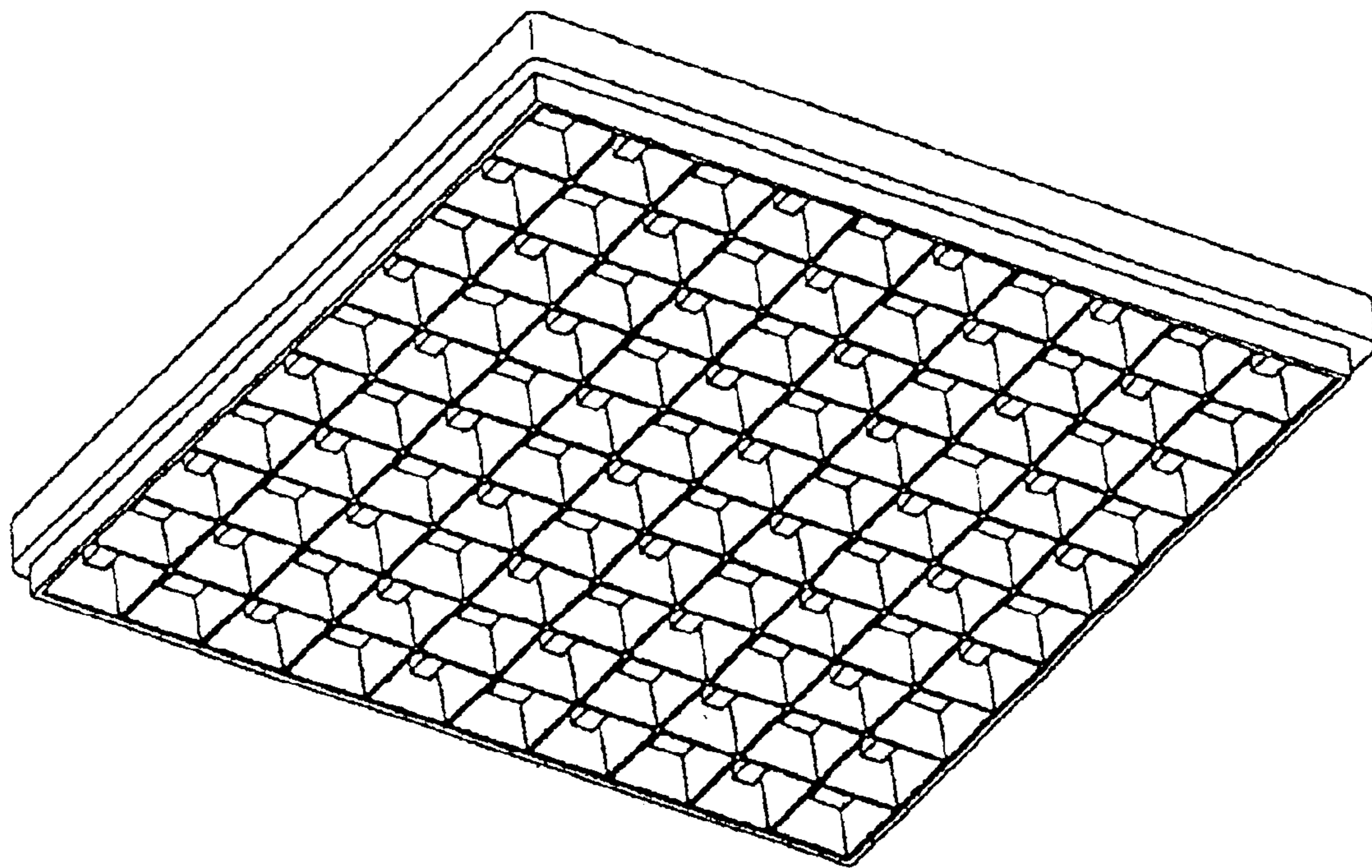


FIG. 6