



US00D502279S

(12) **United States Design Patent** (10) **Patent No.:** **US D502,279 S**  
**Friedman et al.** (45) **Date of Patent:** **\*\* Feb. 22, 2005**

(54) **LIGHT FIXTURE**

(75) Inventors: **Frank Friedman**, Mill Valley, CA (US); **William T. Gendron**, Alameda, CA (US)

(73) Assignee: **Acuity Brands, Inc.**, Atlanta, GA (US)

(\*\*) Term: **14 Years**

(21) Appl. No.: **29/194,854**

(22) Filed: **Dec. 1, 2003**

(51) **LOC (7) Cl.** ..... **26-05**

(52) **U.S. Cl.** ..... **D26/71; D26/87; D26/92**

(58) **Field of Search** ..... D26/67, 68, 71, D26/72, 80-82, 85-87, 92, 128-132, 145-147, 138, 155, 156; 362/147, 153, 153.1, 370, 431, 432, 404-408; 248/219.2

(56) **References Cited**

**U.S. PATENT DOCUMENTS**

D178,075 S	*	6/1956	Manley	.....	D26/104
3,007,038 A	*	10/1961	Anisfield	.....	362/243
D201,765 S	*	7/1965	Mox	.....	D26/71
D213,391 S	*	2/1969	Bruno	.....	D26/86
D236,024 S	*	7/1975	Stentz	.....	D26/67
D308,261 S	*	5/1990	Shemitz	.....	D26/87
D320,461 S	*	10/1991	Pagani et al.	.....	D26/87
D352,797 S	*	11/1994	Mehaffey	.....	D26/85
D381,762 S	*	7/1997	Compton	.....	D26/87
D385,643 S	*	10/1997	Brohard et al.	.....	D26/71
D419,258 S	*	1/2000	Pfister	.....	D26/87

**OTHER PUBLICATIONS**

U.S. patent application Ser. No. 29/194,225, filed Nov. 19, 2003 (ATTY DKT 7260-108).

U.S. patent application Ser. No. 29/194,997, filed Dec. 3, 2003 (ATTYDKT 7260-110).

U.S. Patent Design Application for a Light Fixture forwarded to the U.S. Patent and Trademark Office on Jul. 29, 2004 (ATTY DKY. 7620-111) (Ser. No. 29/210430).

\* cited by examiner

*Primary Examiner*—Clare E Heflin

(74) *Attorney, Agent, or Firm*—Fulbright & Jaworski L.L.P.

(57) **CLAIM**

The ornamental design for a light fixture, as shown and described.

**DESCRIPTION**

FIG. 1 is a perspective view of a first embodiment of a light fixture of our design.

FIG. 2 is a back view of the light fixture of FIG. 1.

FIG. 3 is a side view of the light fixture of FIG. 1, the other side view being a mirror image of the side view of FIG. 3.

FIG. 4 is a front view of the light fixture of FIG. 1.

FIG. 5 is a top view of the light fixture of FIG. 1.

FIG. 6 is a bottom view of the light fixture of FIG. 1.

FIG. 7 is a perspective view of a second embodiment of a light fixture of our design.

FIG. 8 is a back view of the light fixture of FIG. 7.

FIG. 9 is a side view of the light fixture of FIG. 7, the other side view being a mirror image of the side view of FIG. 9.

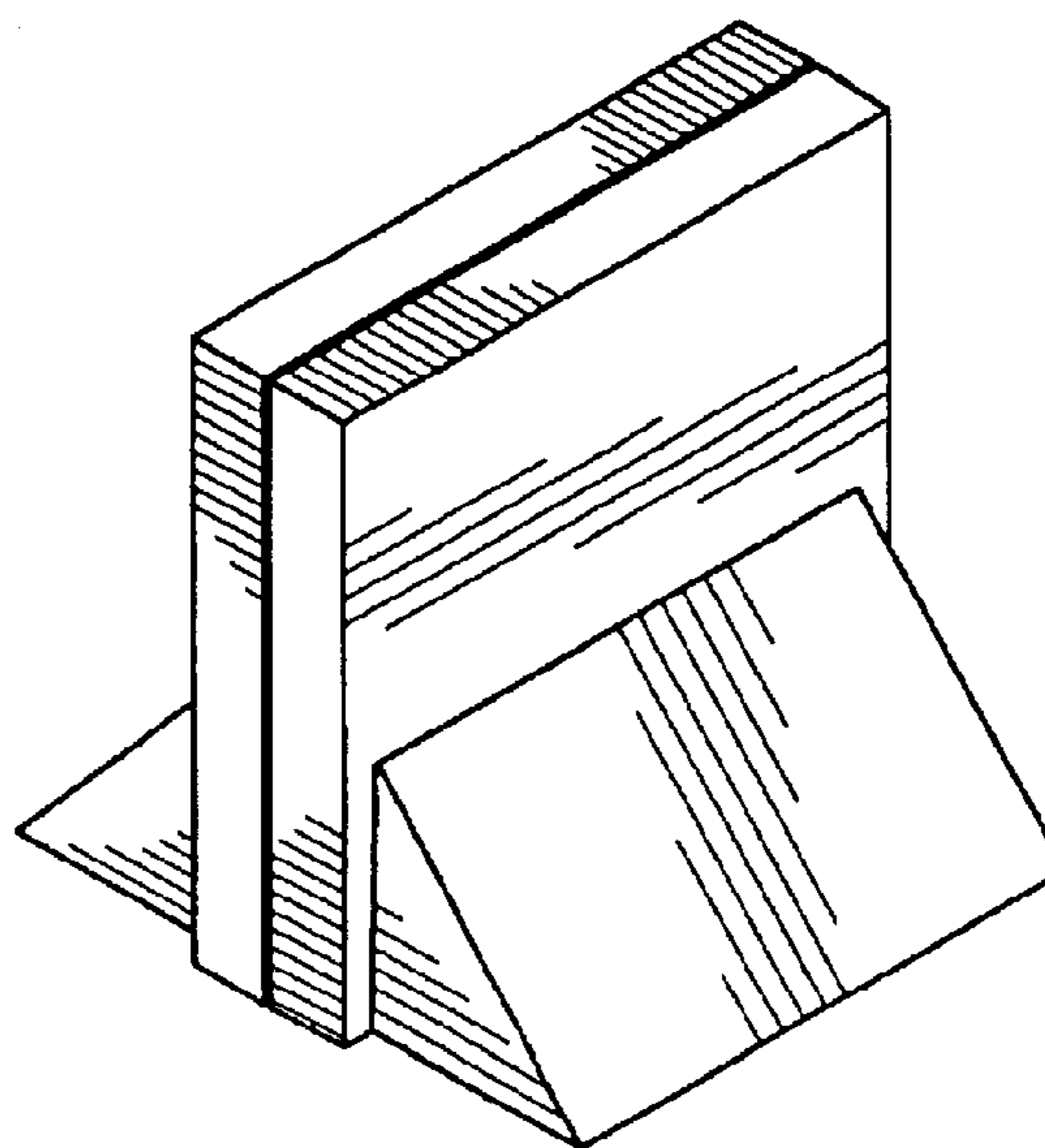
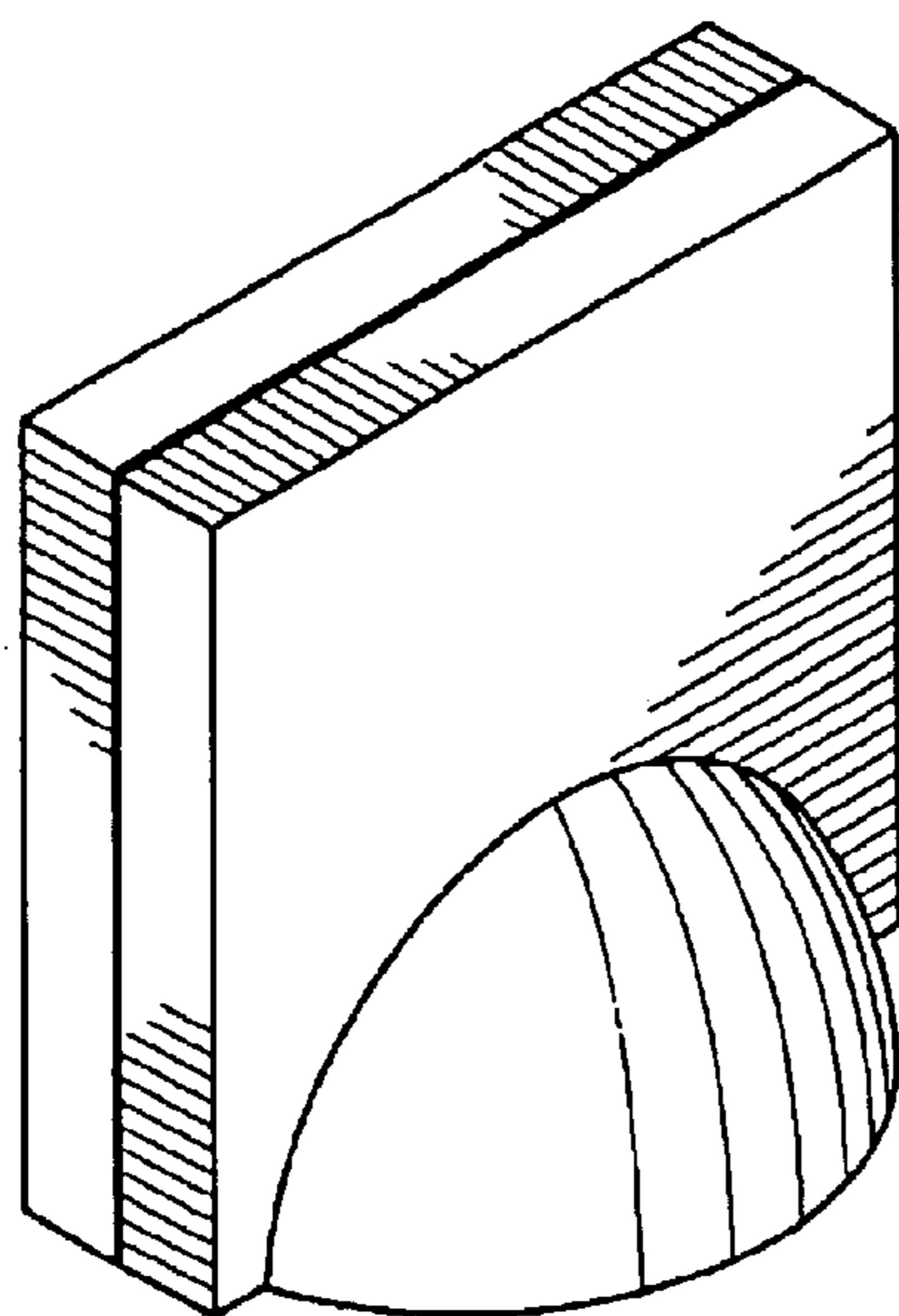
The portion in phantom line and the area circumscribed thereby of each embodiment of the light fixture is not part of the design.

FIG. 10 is a front view of the light fixture of FIG. 7.

FIG. 11 is a top view of the light fixture of FIG. 7; and,

FIG. 12 is a bottom view of the light fixture of FIG. 7.

**1 Claim, 2 Drawing Sheets**



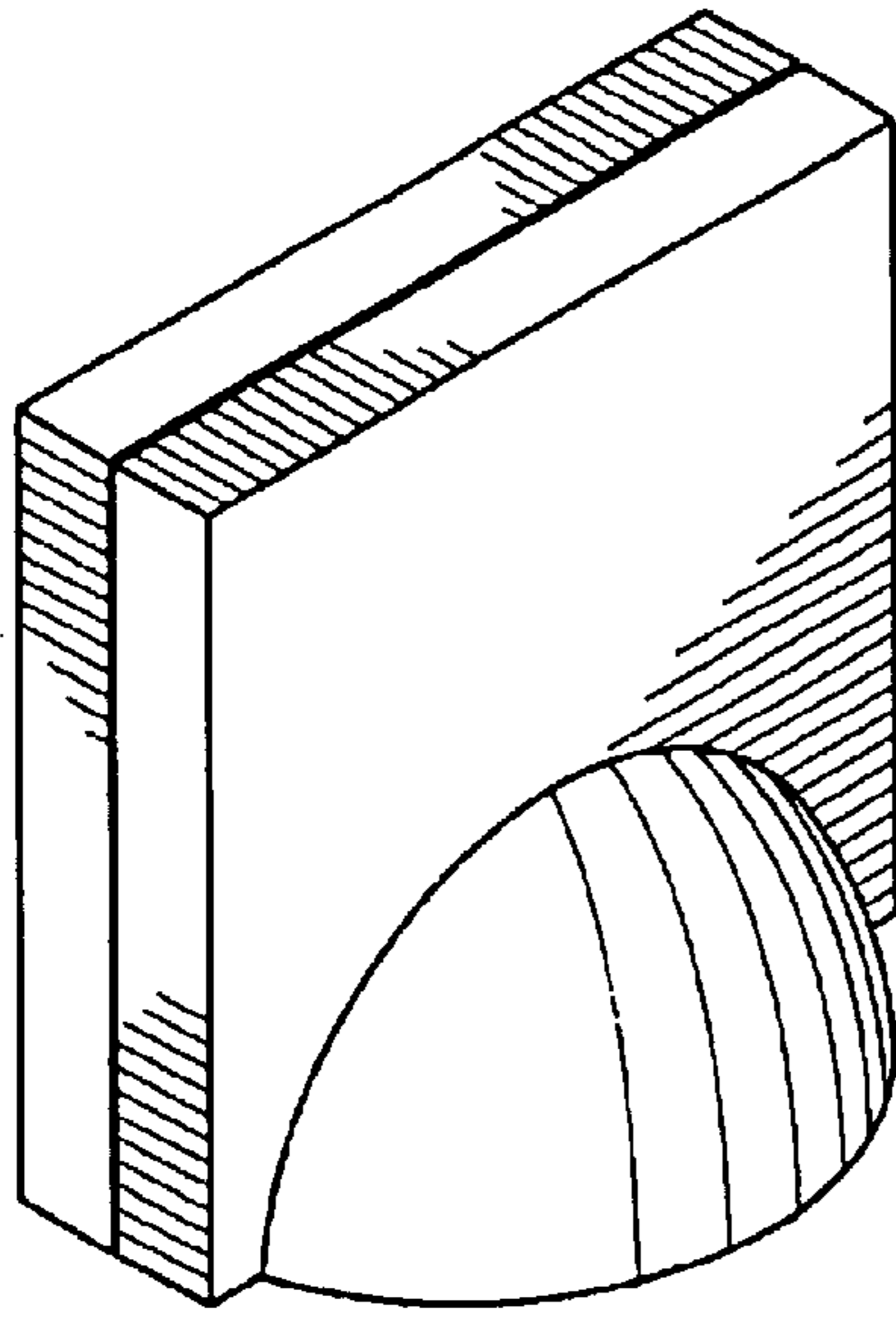


Fig. 1

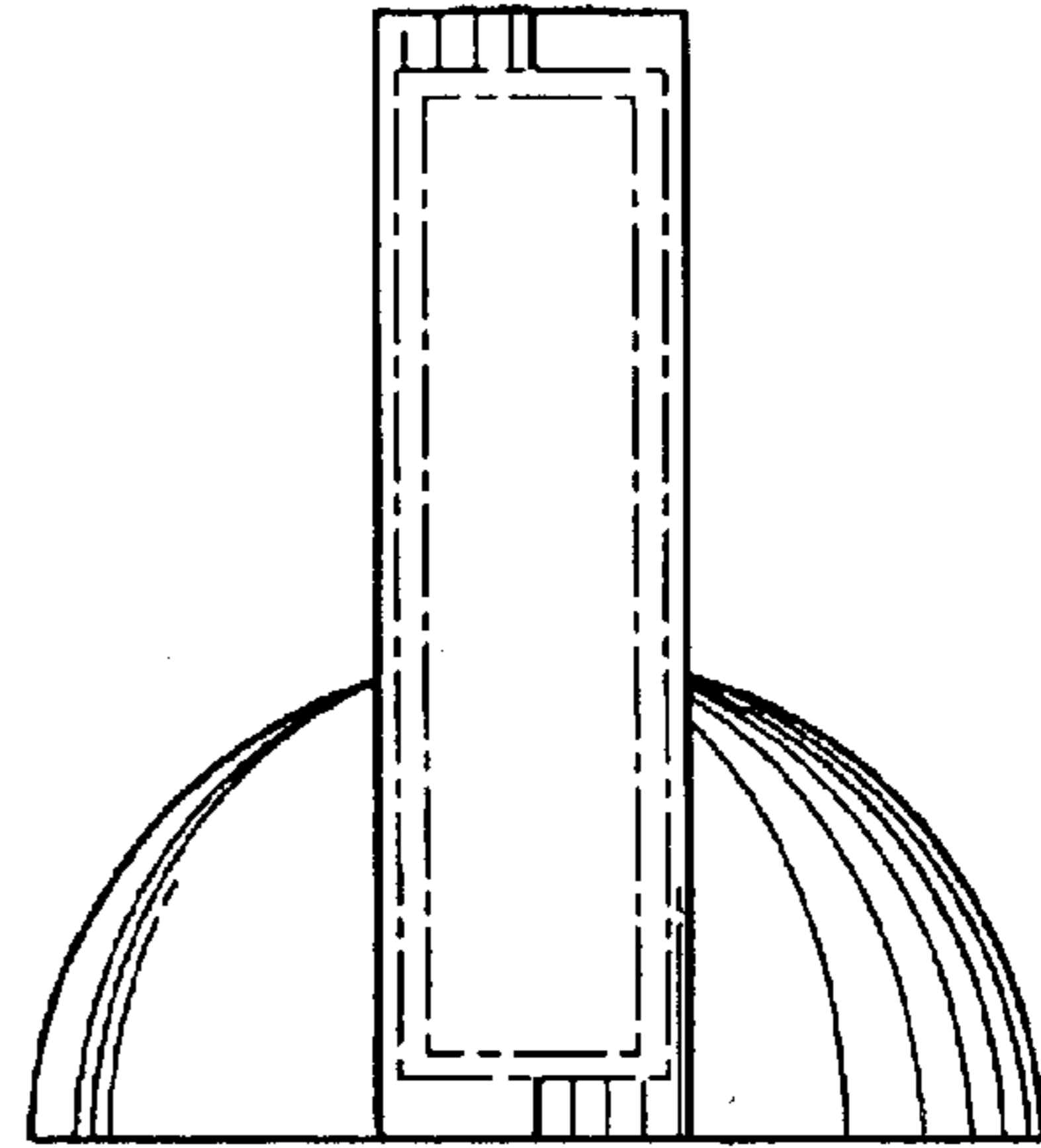


Fig. 2

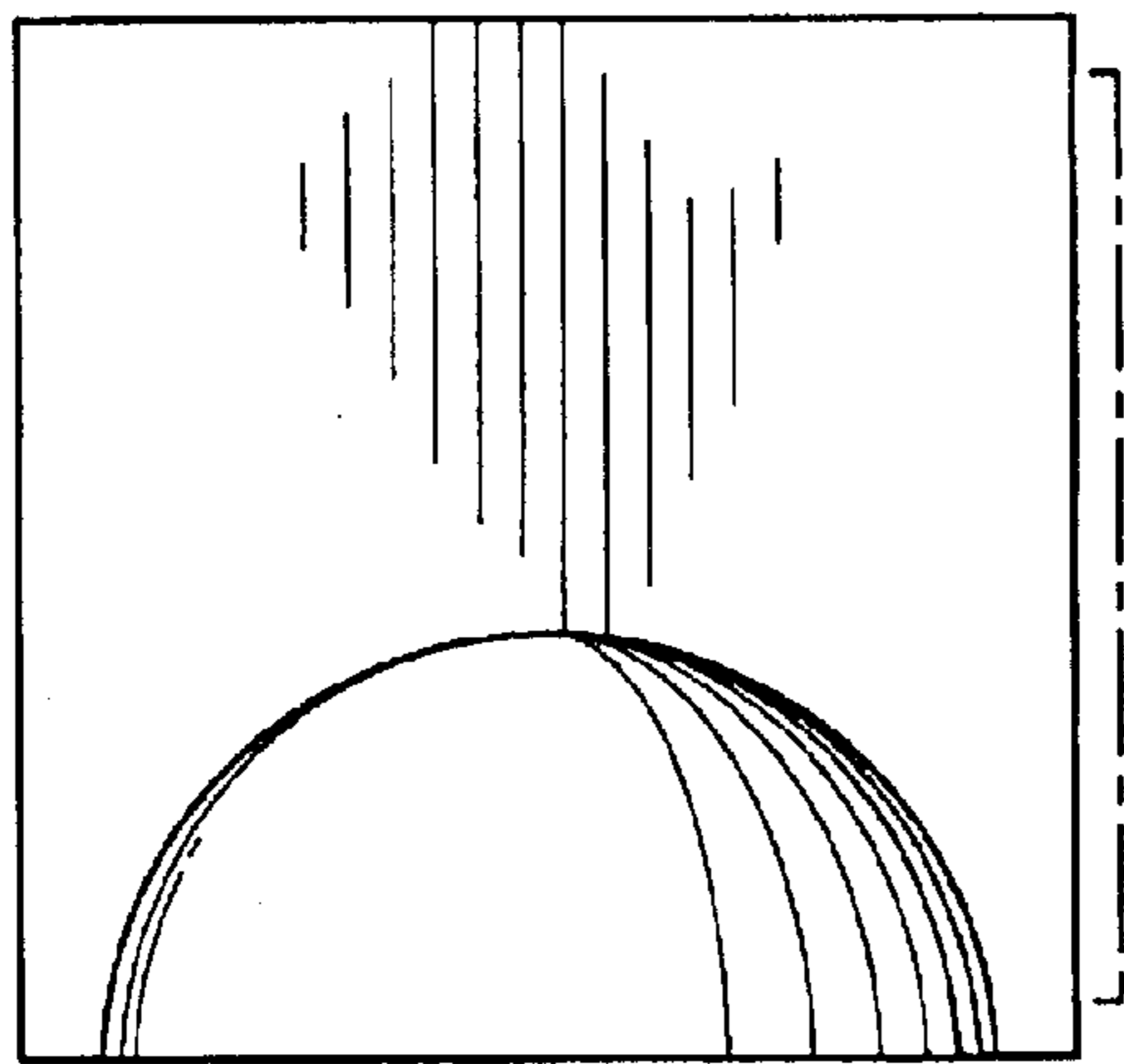


Fig. 3

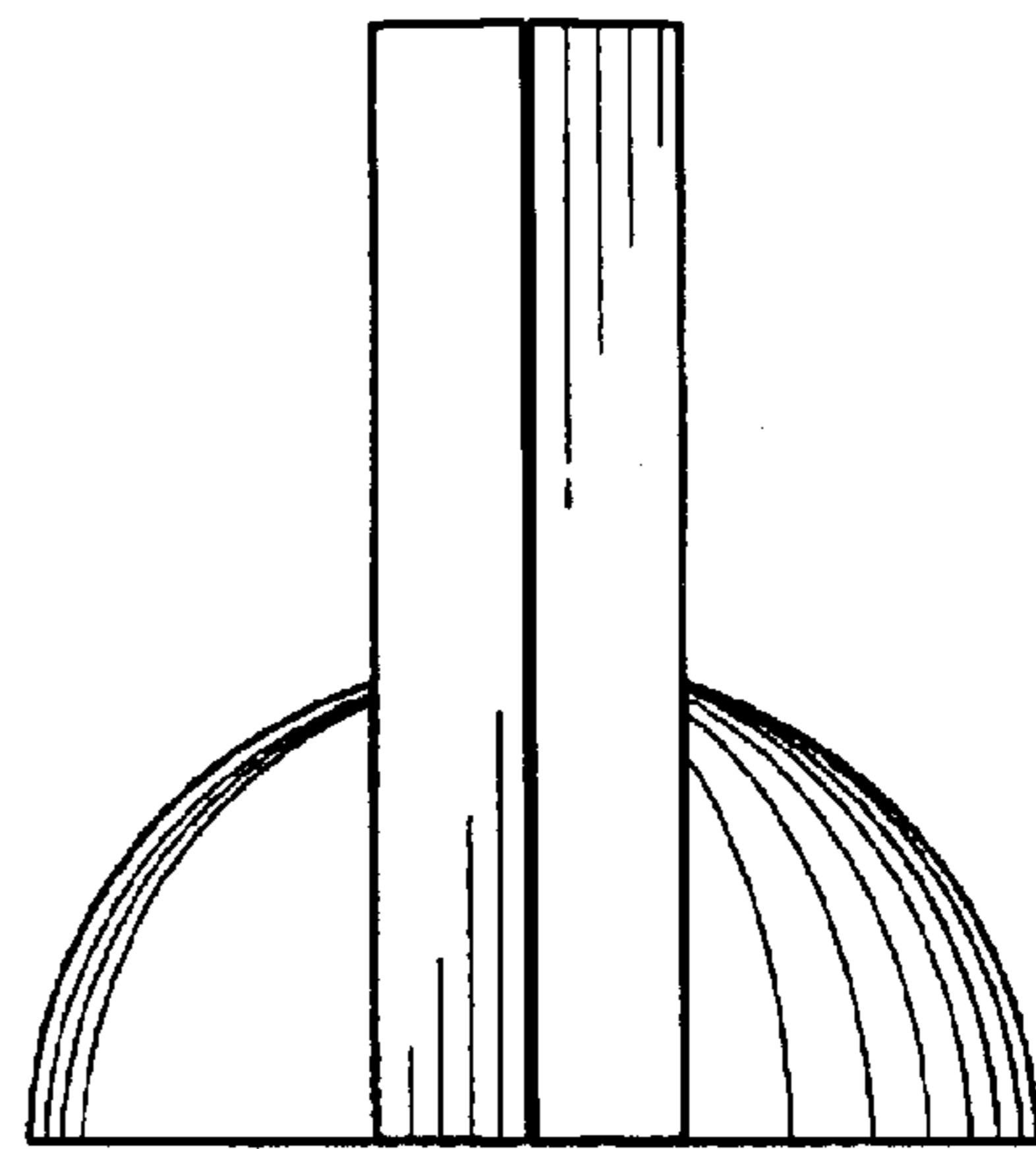


Fig. 4

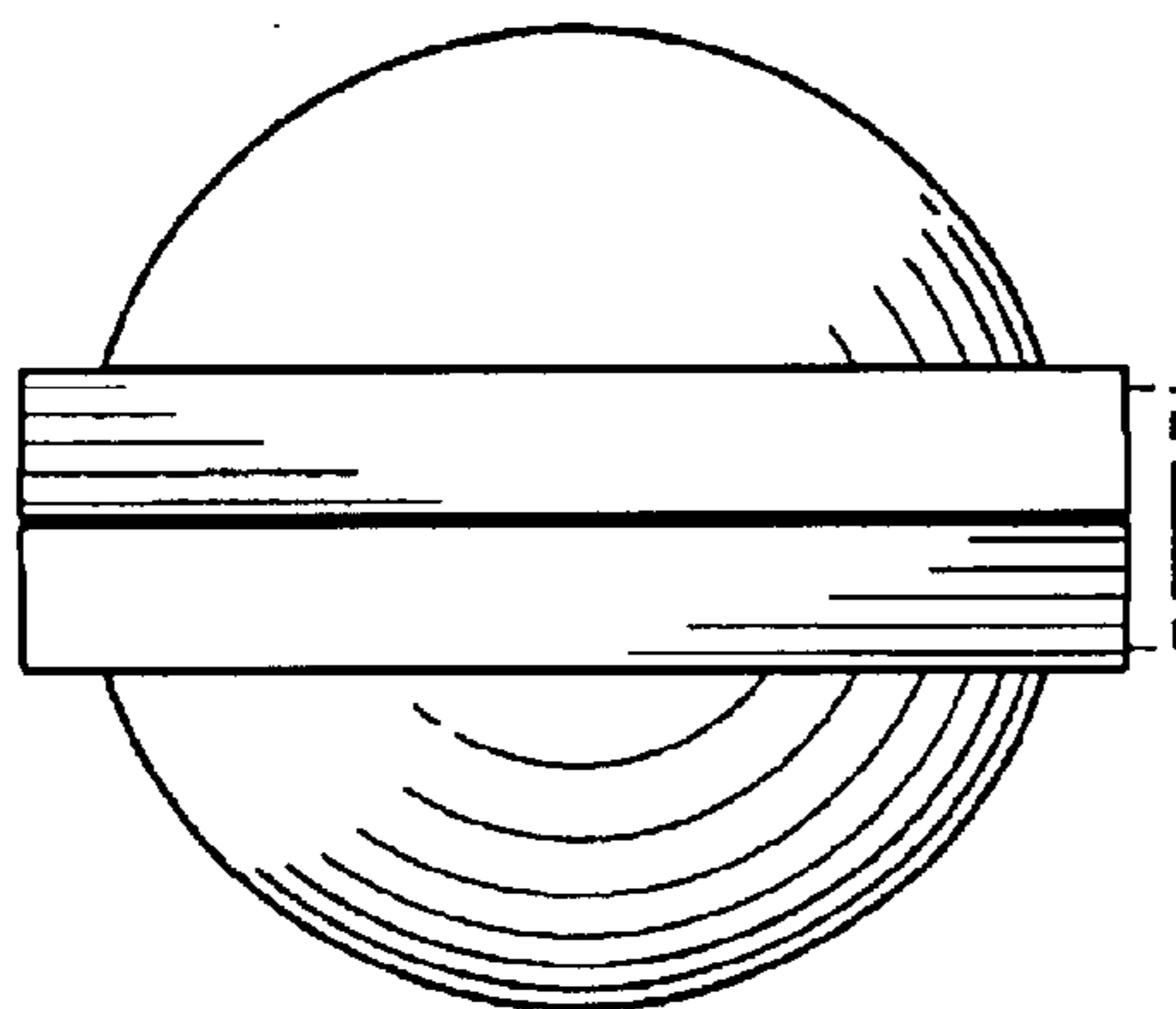


Fig. 5

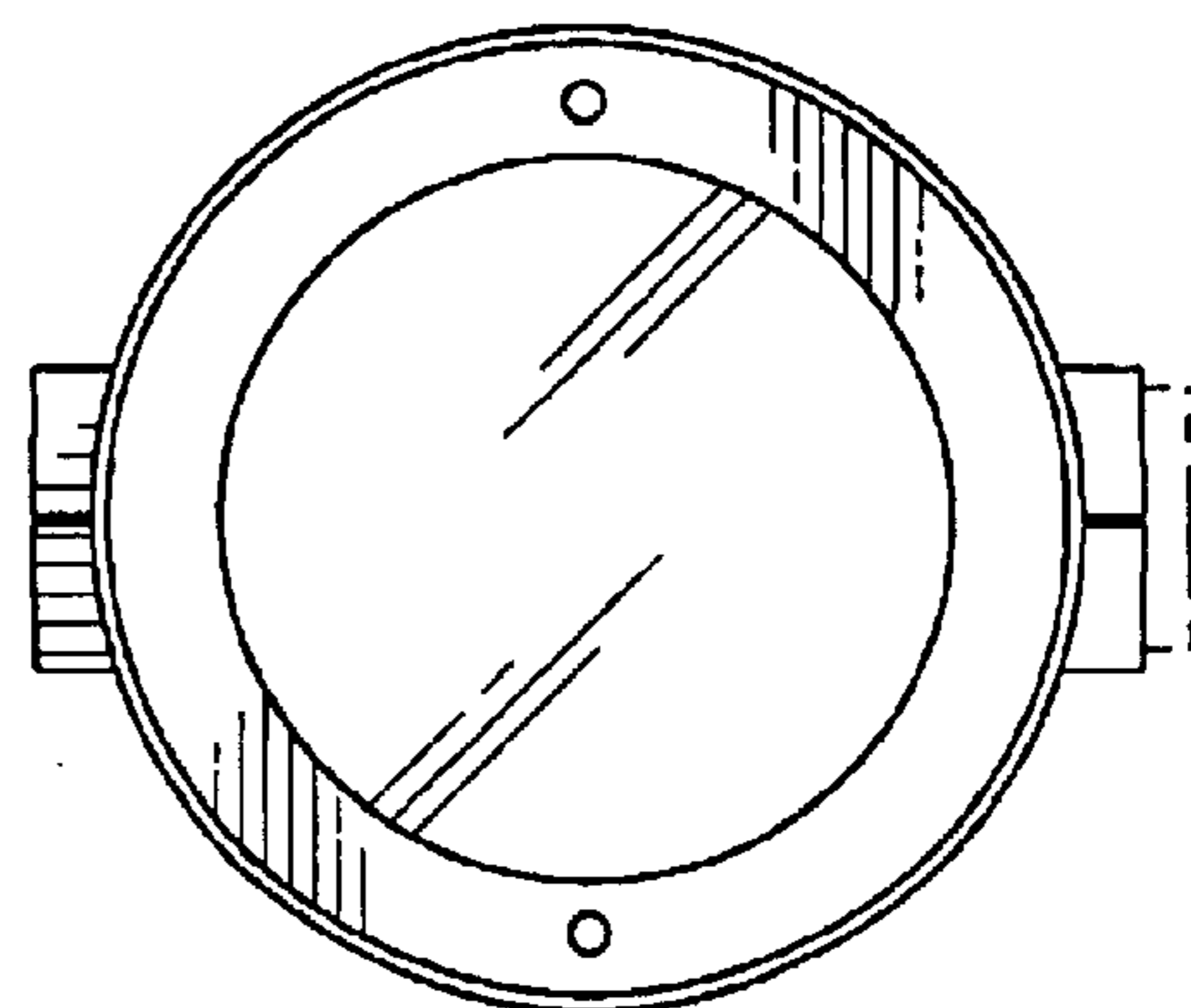


Fig. 6

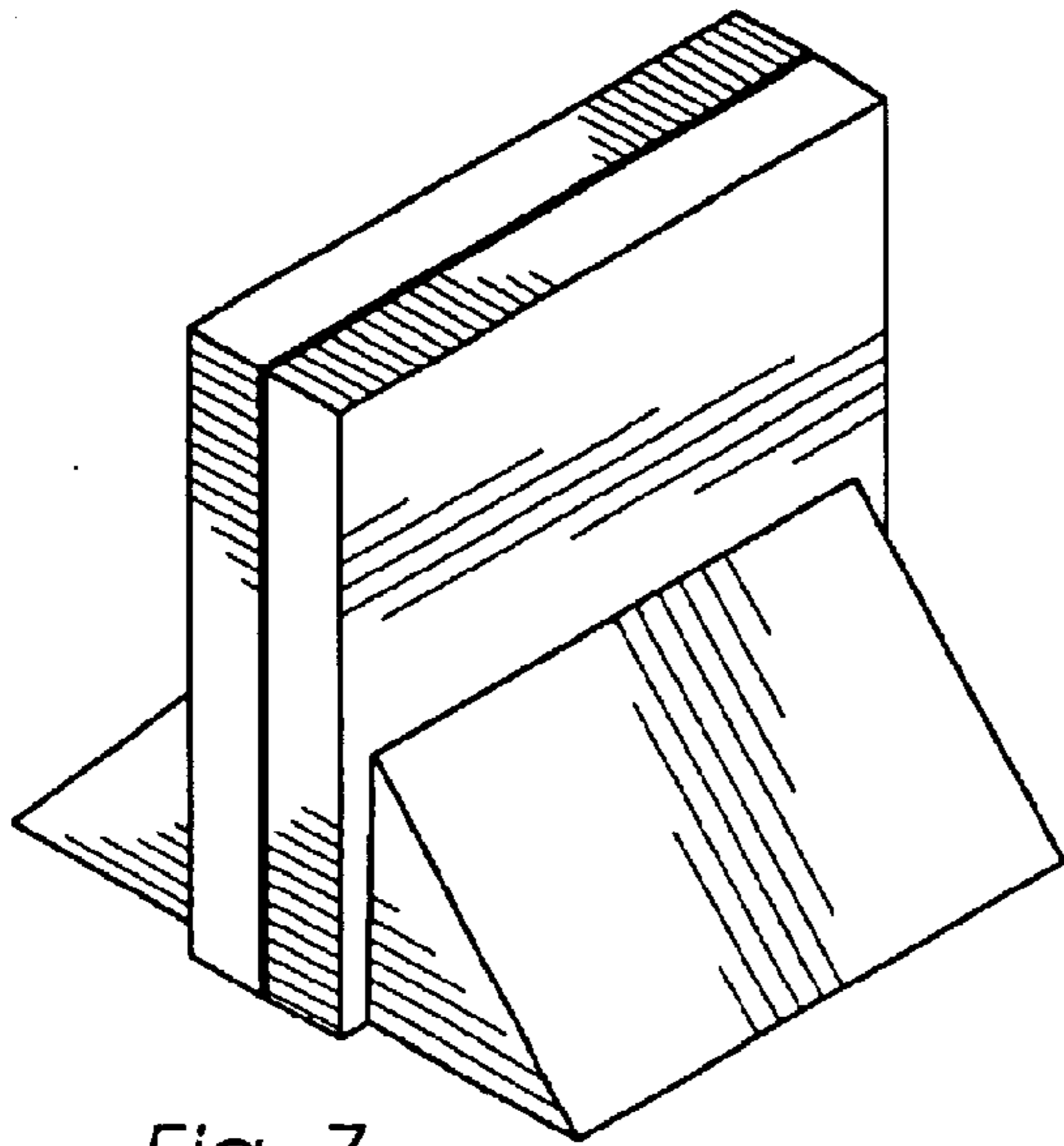


Fig. 7

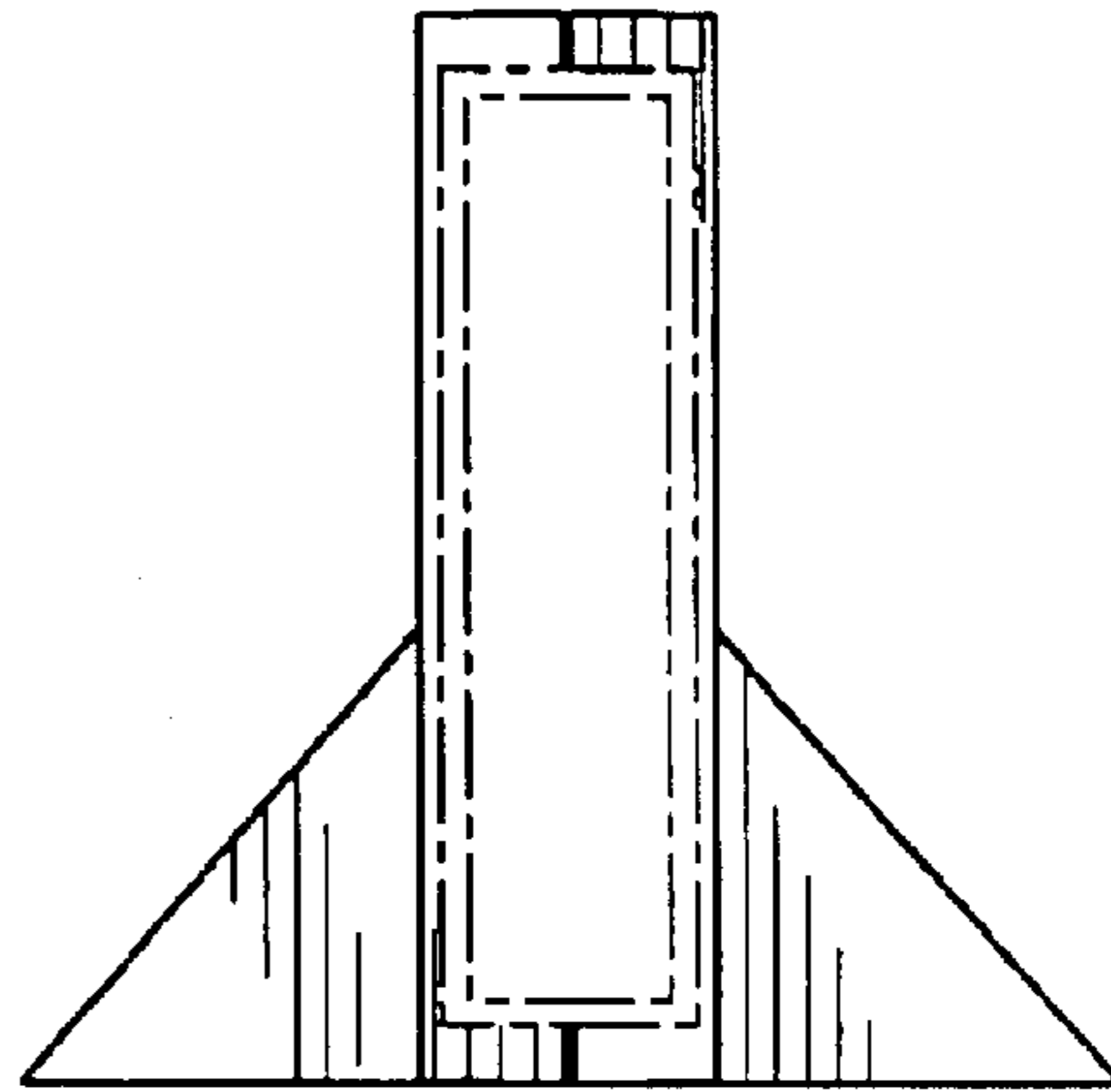


Fig. 8

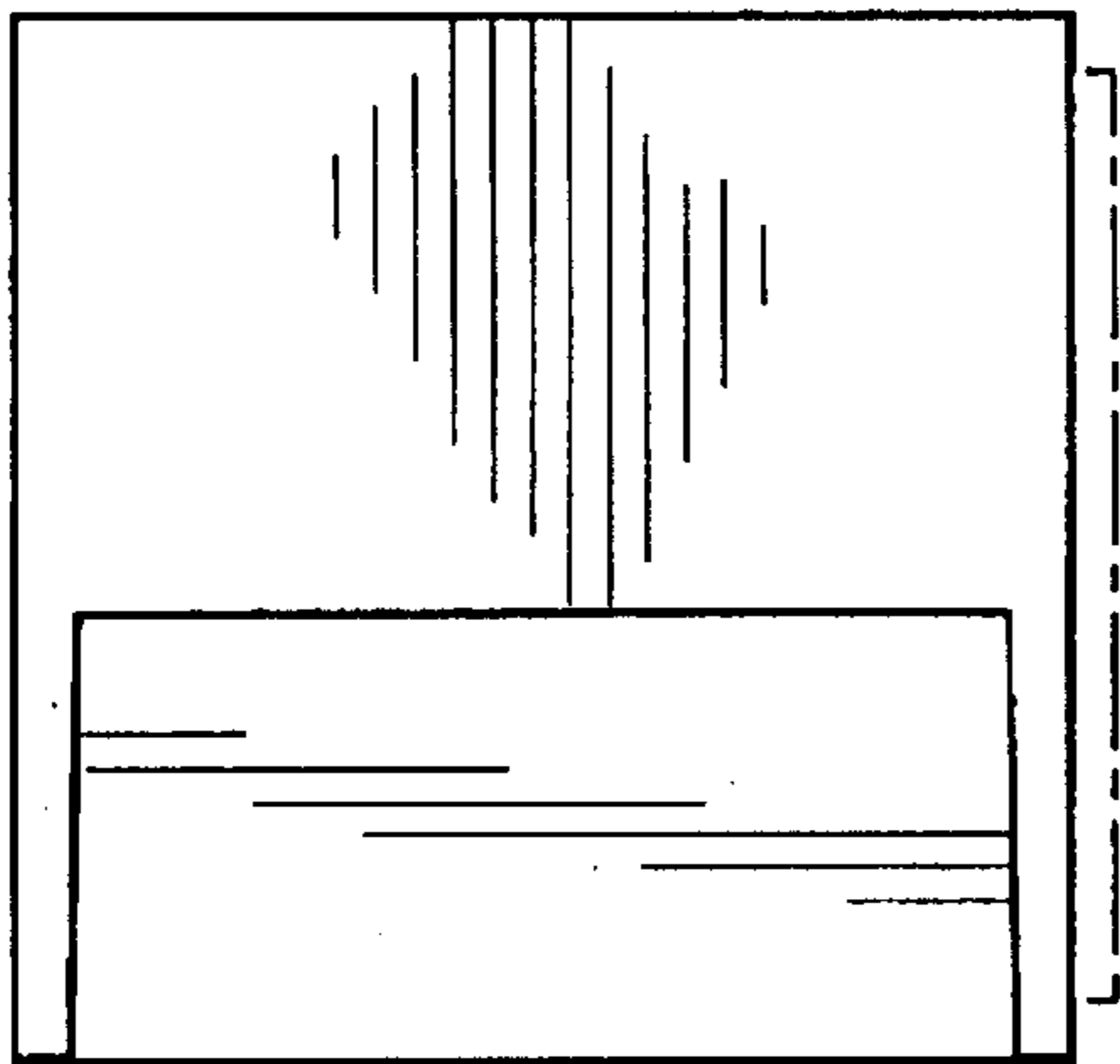


Fig. 9

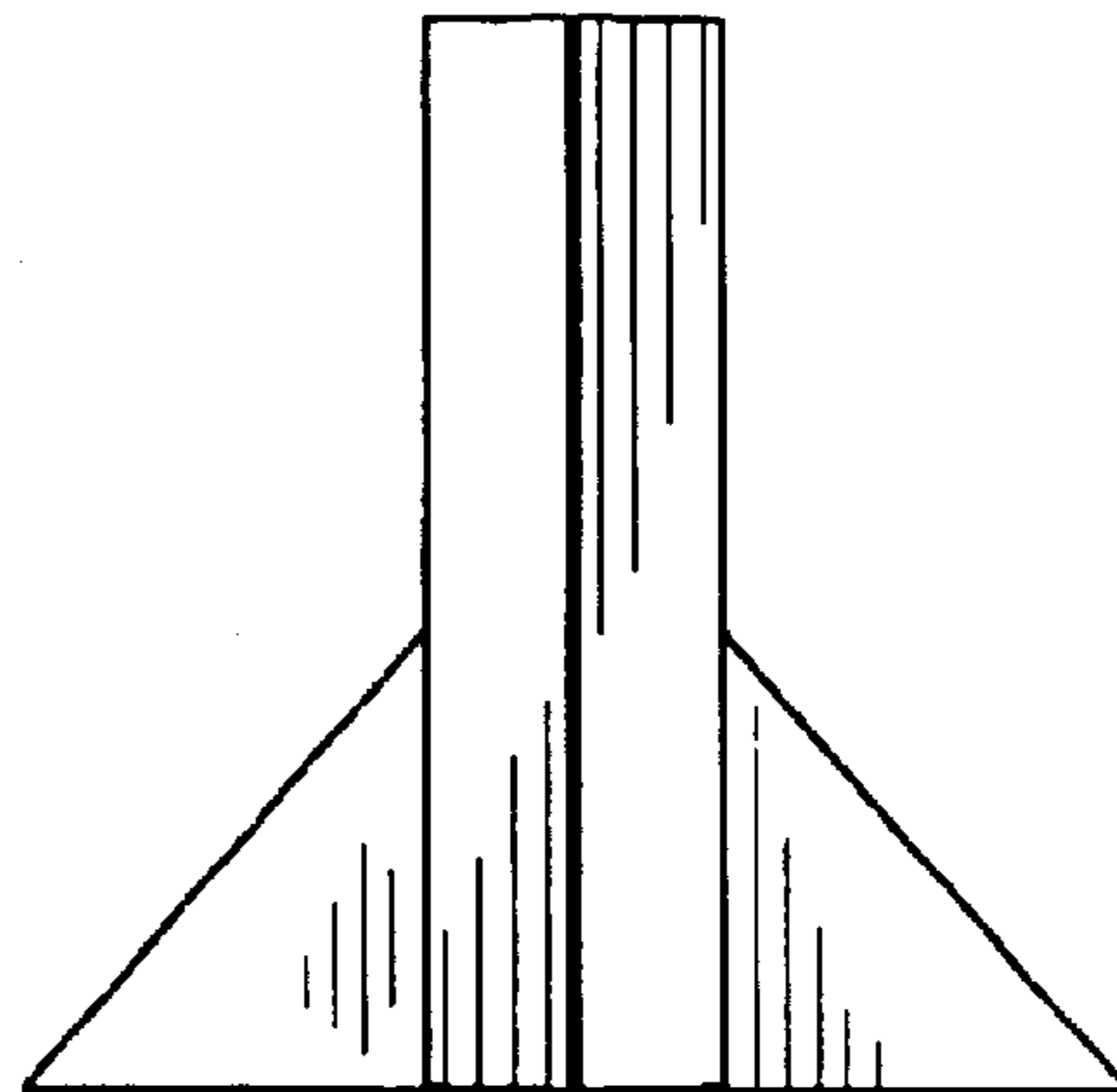


Fig. 10

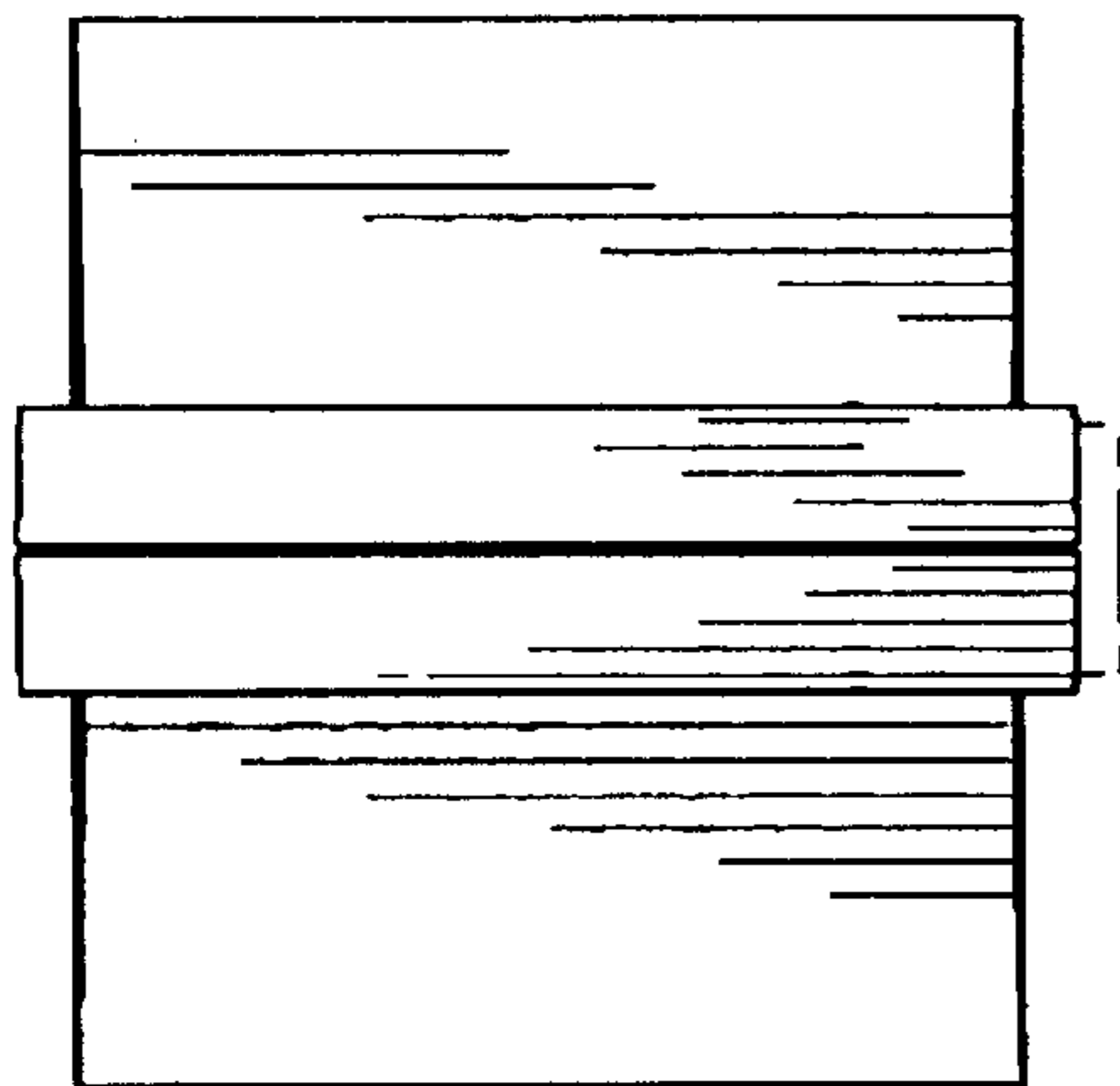


Fig. 11

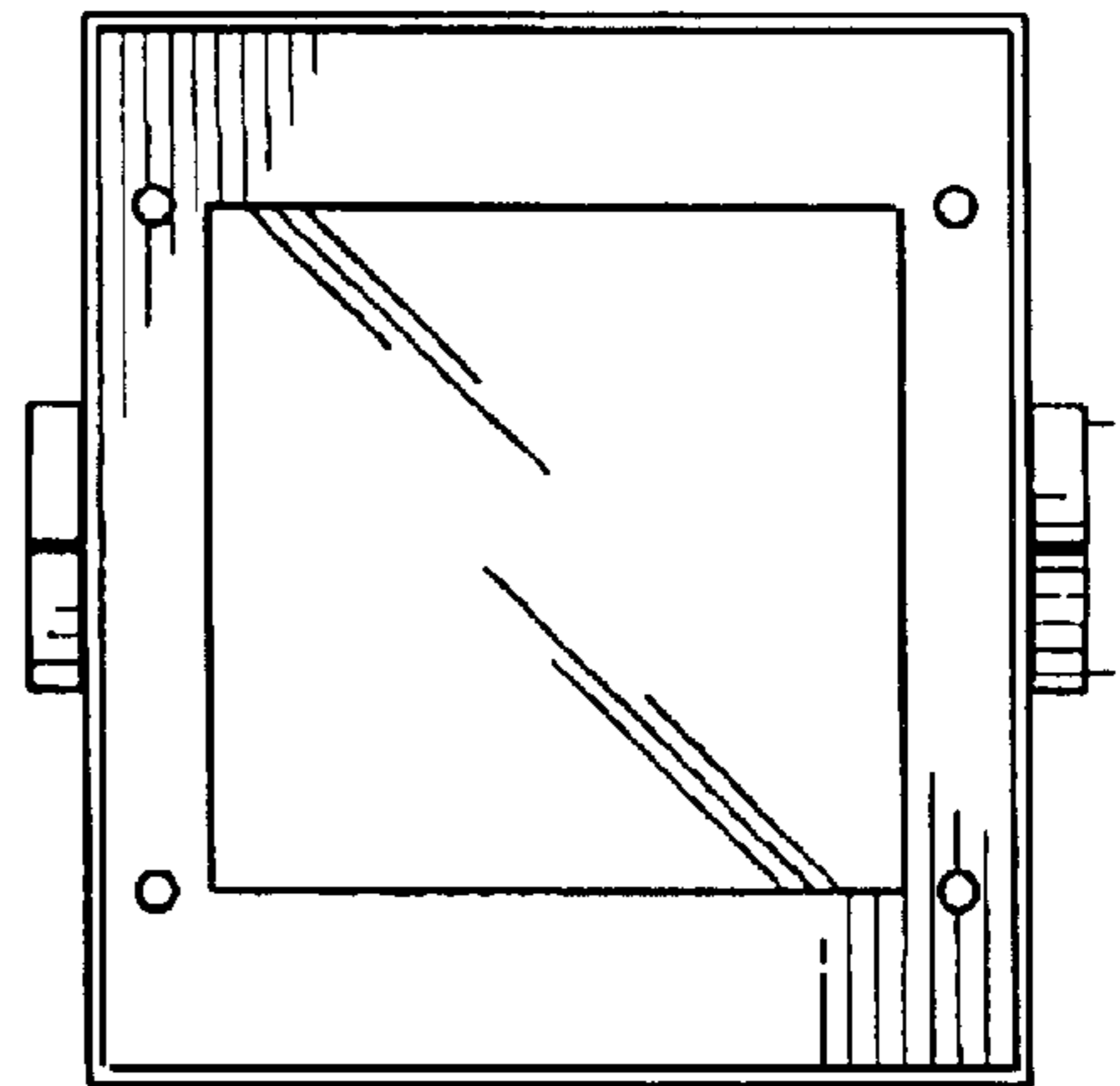


Fig. 12