

US00D502278S

(12) **United States Design Patent**
Dalton et al.

(10) **Patent No.: US D502,278 S**
(45) **Date of Patent: ** Feb. 22, 2005**

(54) **FLASHLIGHT**

(75) Inventors: **David R. Dalton**, Turramurra (AU);
John R. Brown, Mosman (AU);
Timothy Rugendyke, Woy Woy (AU)

(73) Assignee: **Eveready Battery Company, Inc.**, St. Louis, MO (US)

(**) Term: **14 Years**

(21) Appl. No.: **29/207,070**

(22) Filed: **Jun. 8, 2004**

(30) **Foreign Application Priority Data**

Dec. 9, 2003 (AU) 4373/2003

(51) **LOC (7) Cl. 26-02**

(52) **U.S. Cl. D26/49**

(58) **Field of Search** D26/37-50; 362/157,
362/158, 171-174, 183-208

(56) **References Cited**

U.S. PATENT DOCUMENTS

D474,554 S * 5/2003 Dalton et al. D26/49
D493,008 S * 7/2004 Brent D26/49
D497,020 S * 10/2004 Lee D26/49

* cited by examiner

Primary Examiner—Marcus A. Jackson
(74) *Attorney, Agent, or Firm*—Stewart A. Fraser

(57) **CLAIM**

We claim the ornamental design for a flashlight, as shown and described.

DESCRIPTION

FIG. 1 is an upper front perspective view of the flashlight of the present invention;

FIG. 2 is a plan view of the flashlight of the present invention;

FIG. 3 is a right side view of the flashlight of the present invention;

FIG. 4 is an underneath view of the flashlight of the present invention;

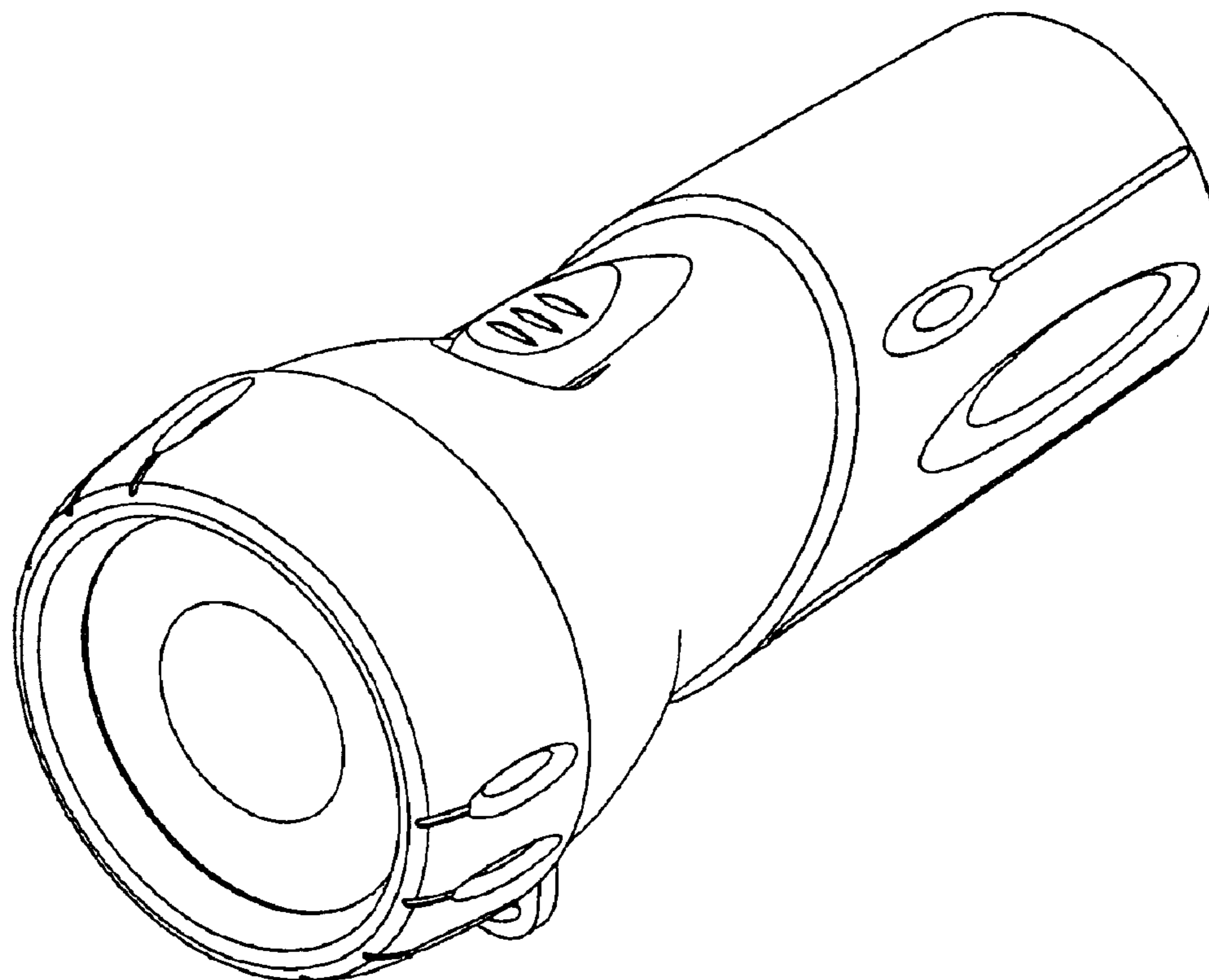
FIG. 5 is a left side view of the flashlight of the present invention;

FIG. 6 is a front view of the flashlight of the present invention;

FIG. 7 is a rear view of the flashlight of the present invention; and,

FIG. 8 is an upper rear perspective view of the flashlight of the present invention.

1 Claim, 8 Drawing Sheets



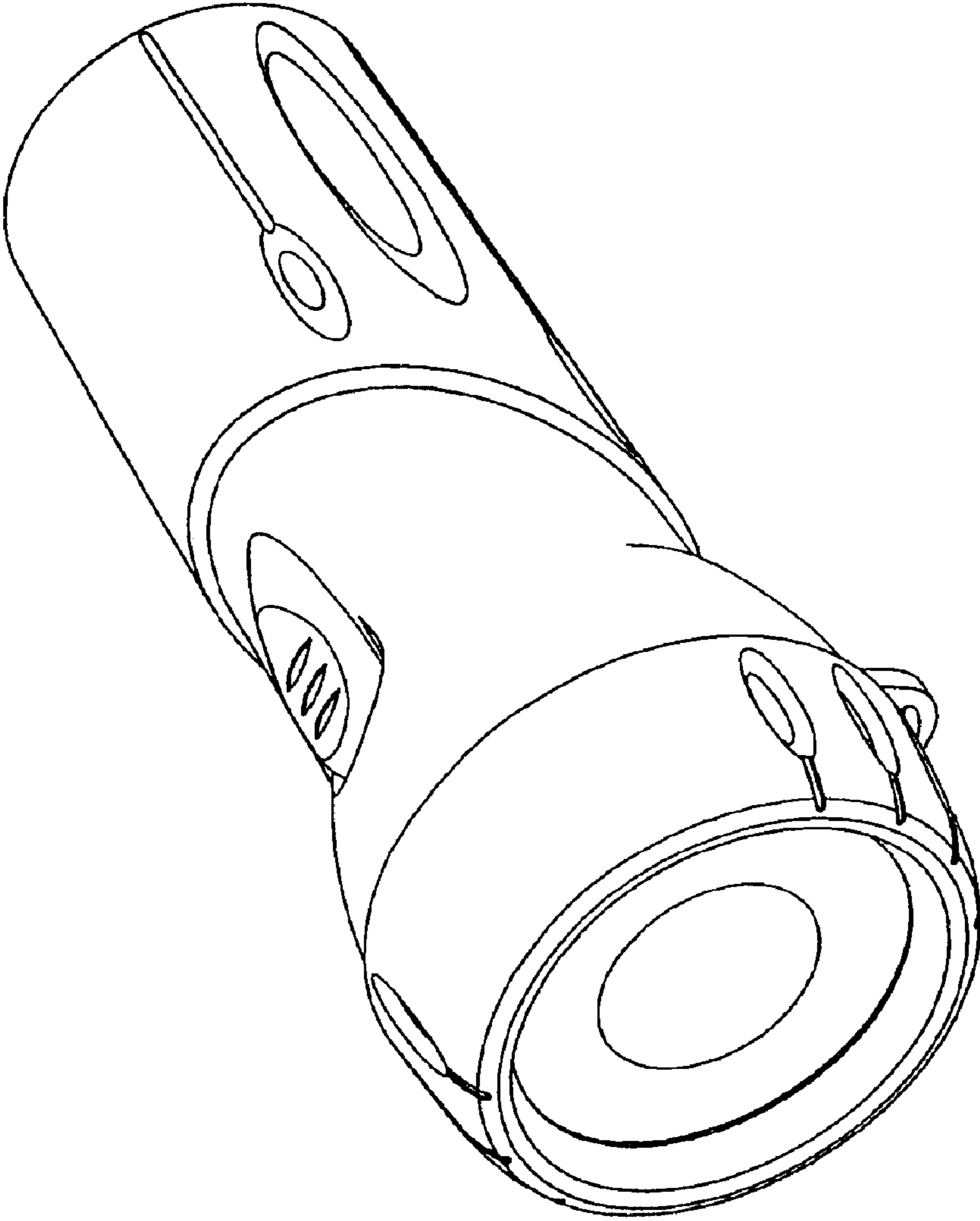


FIG. 1

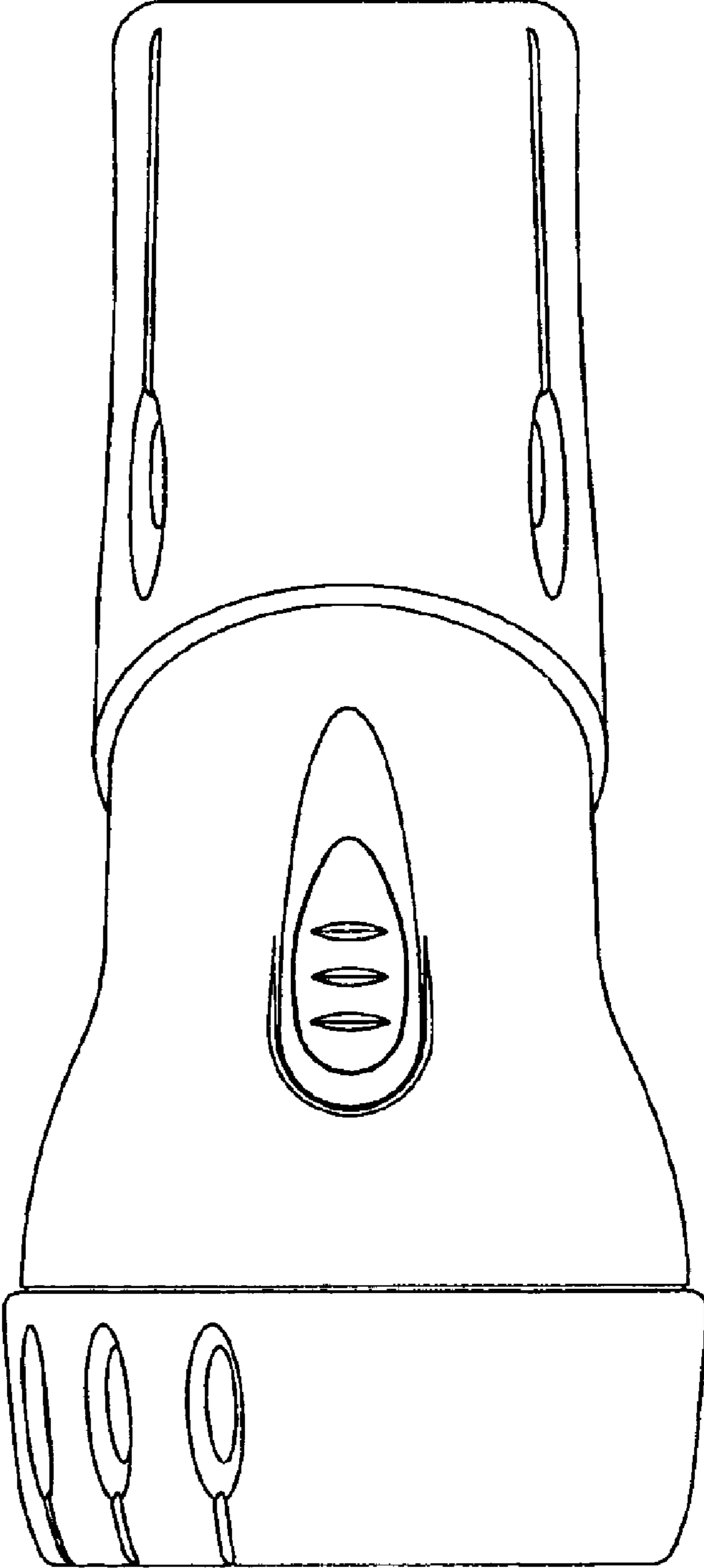


FIG. 2

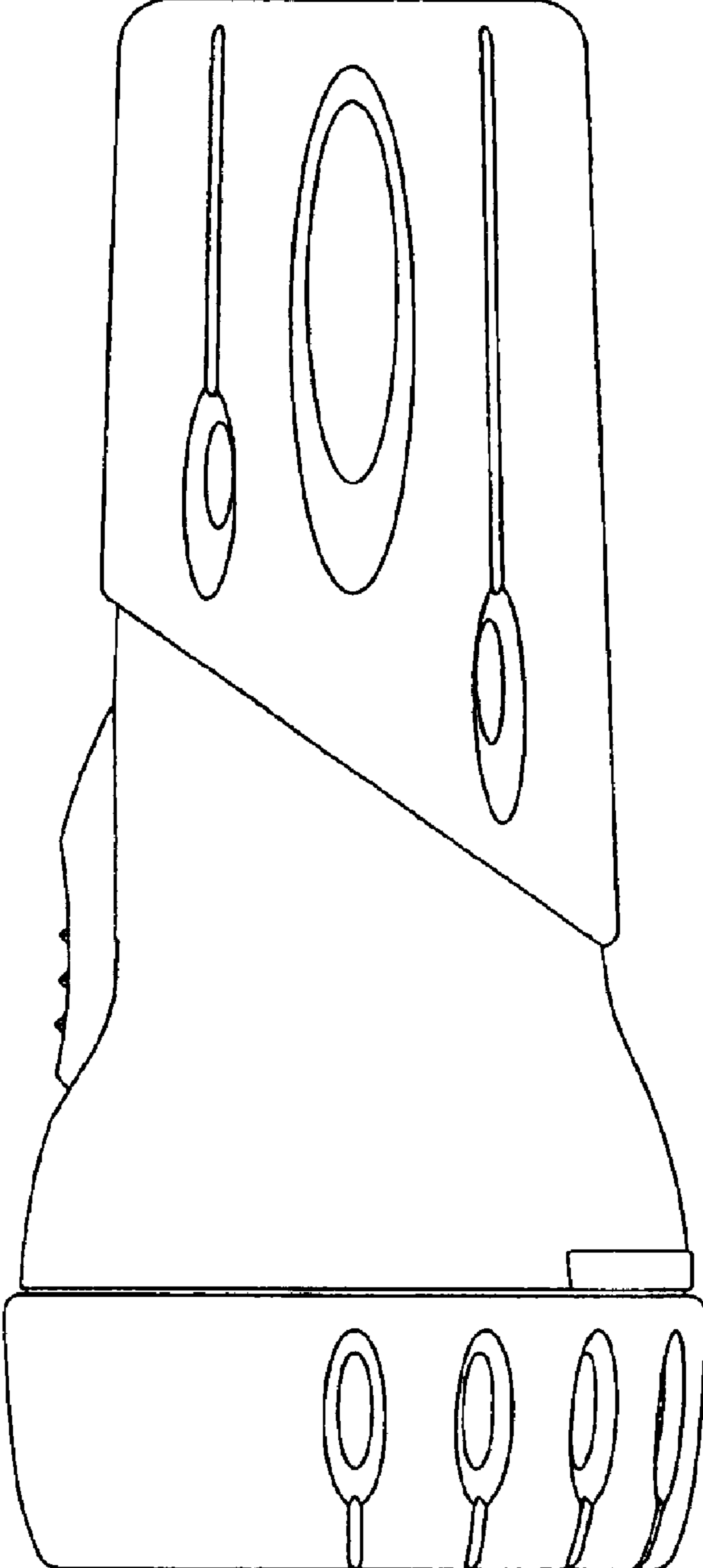


FIG. 3

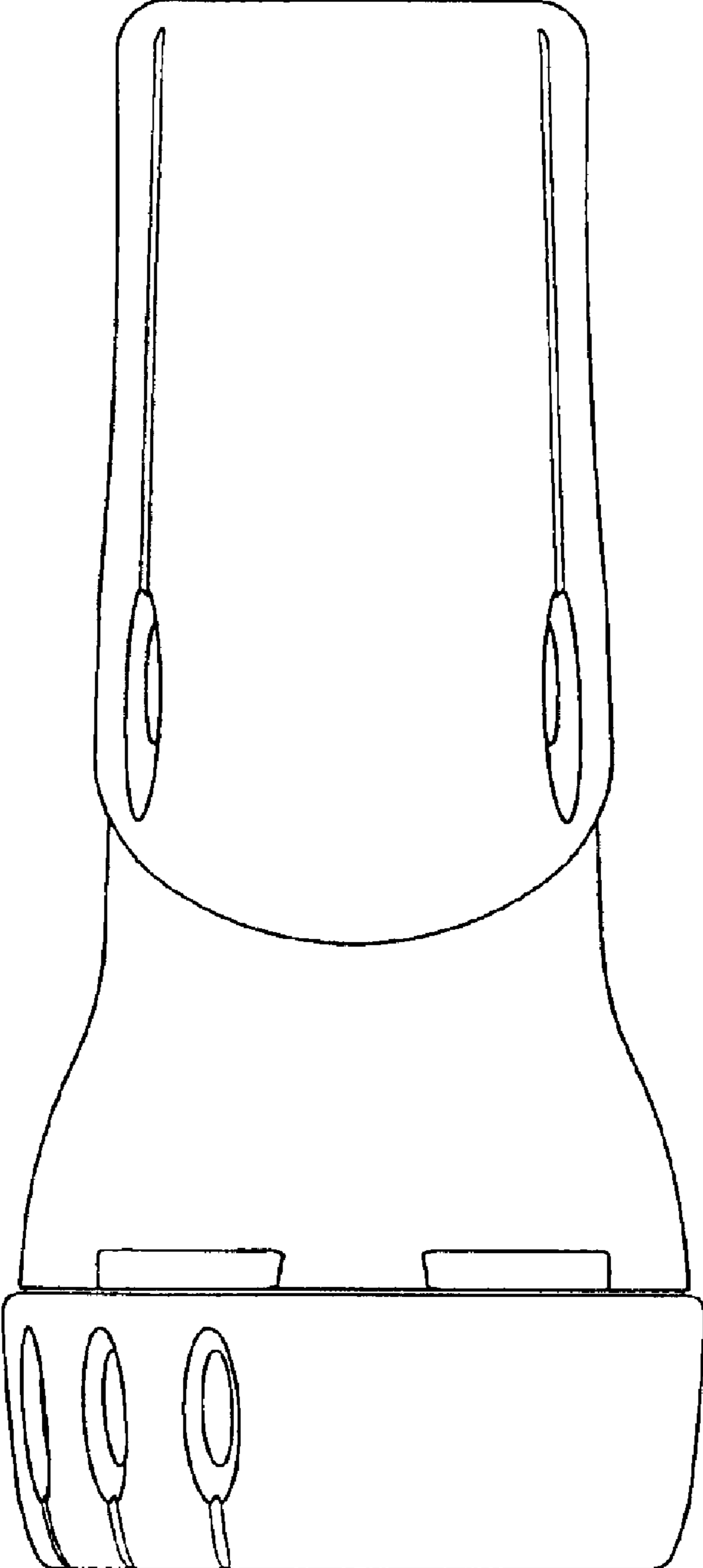


FIG. 4

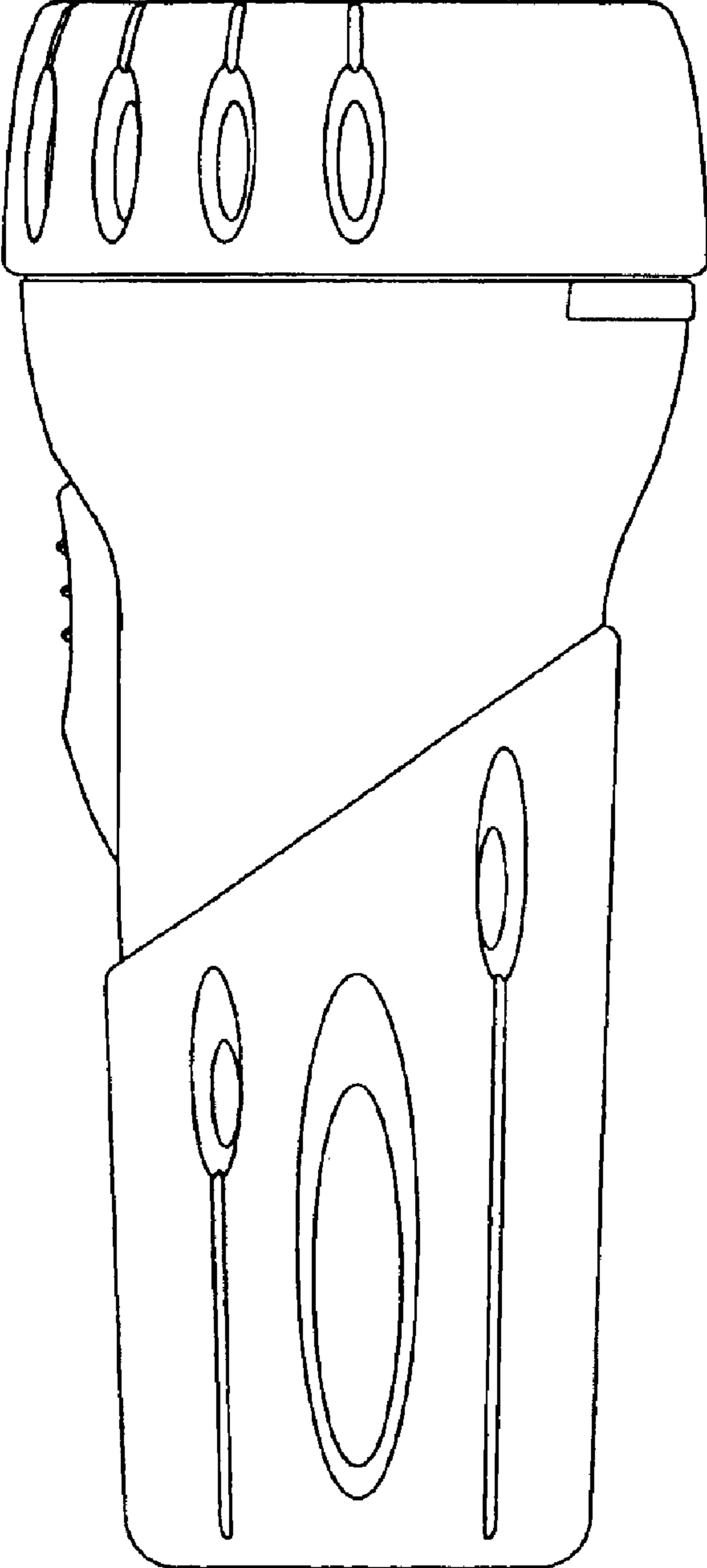


FIG. 5

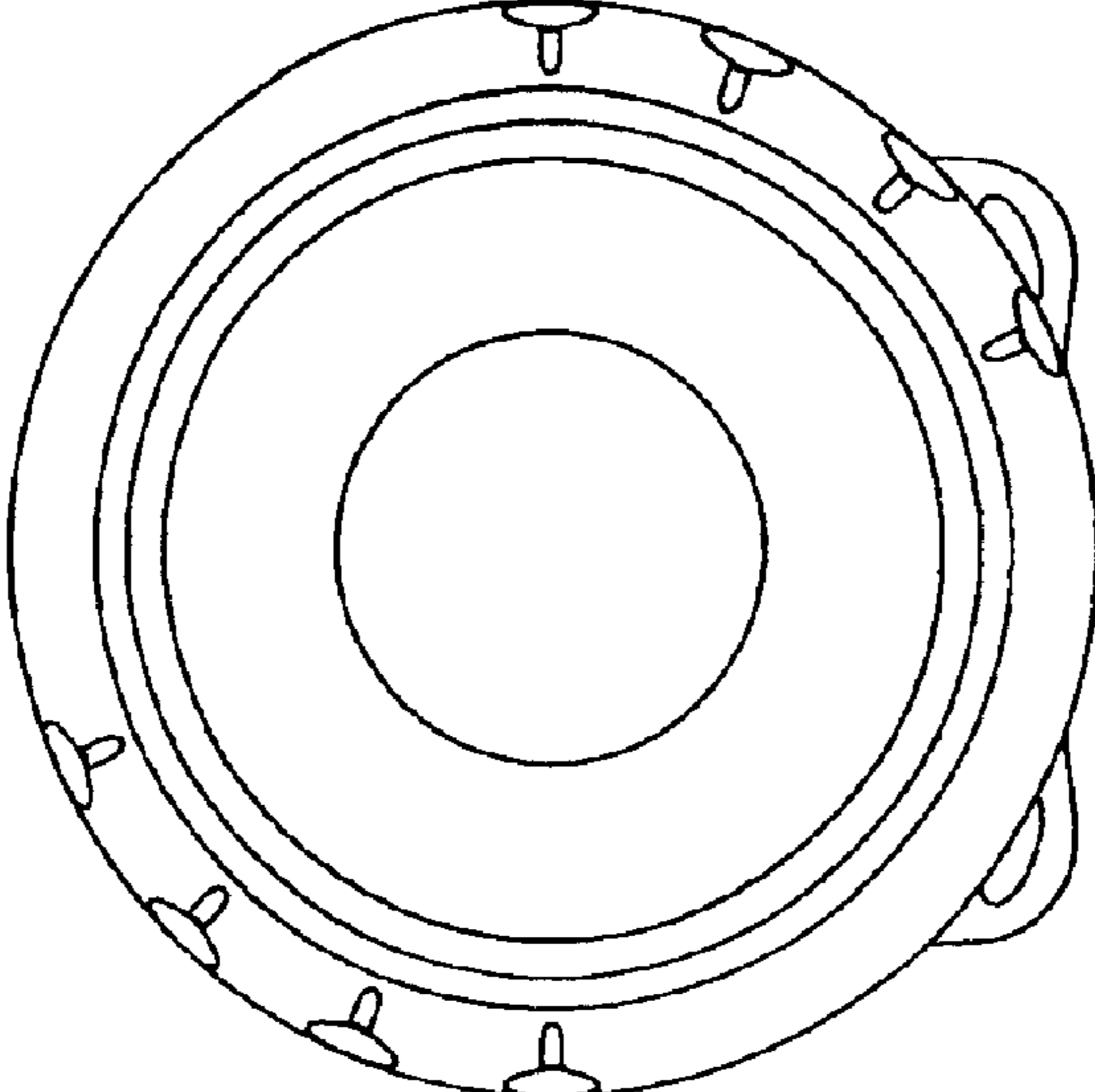


FIG. 6

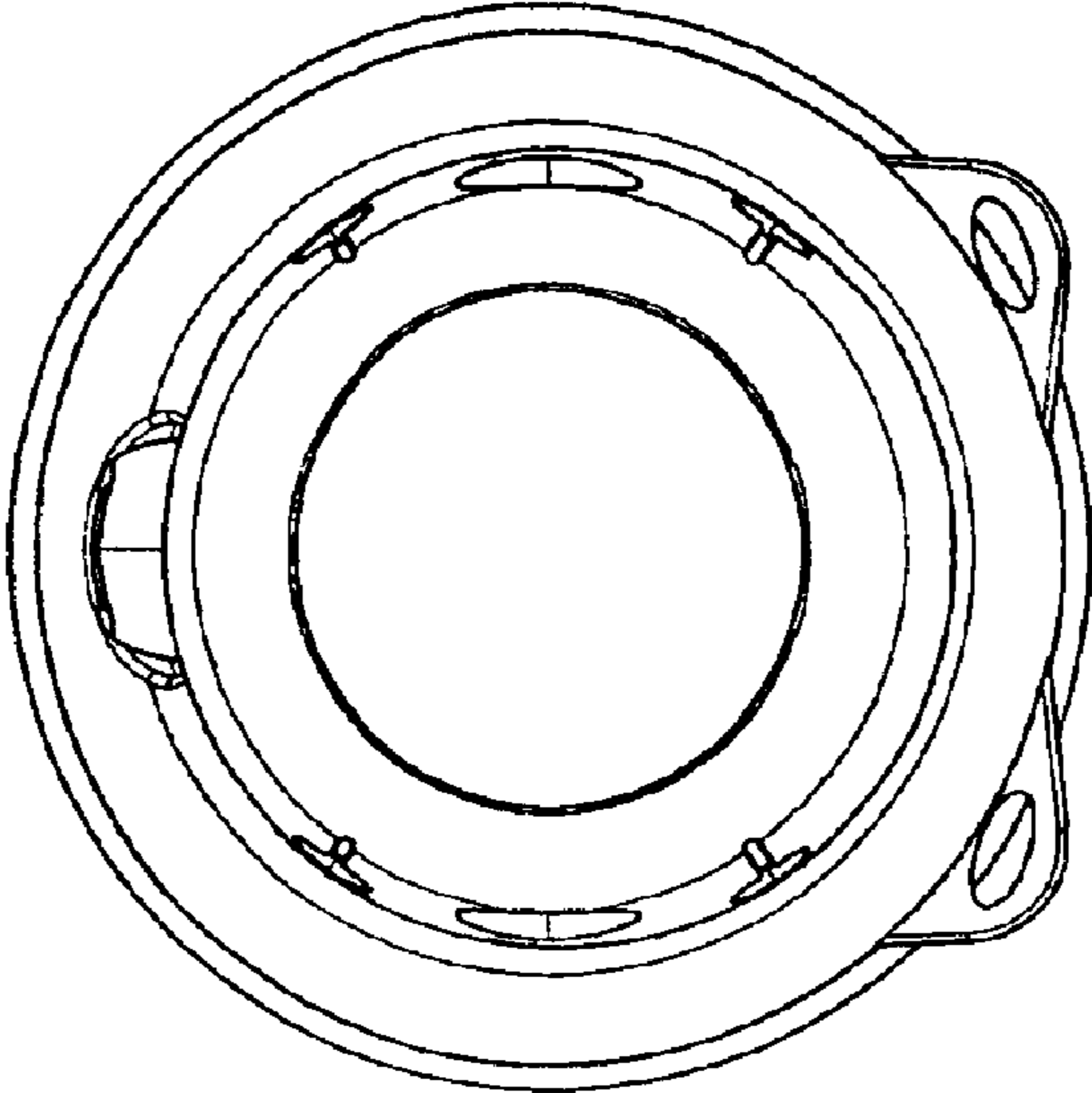


FIG. 7

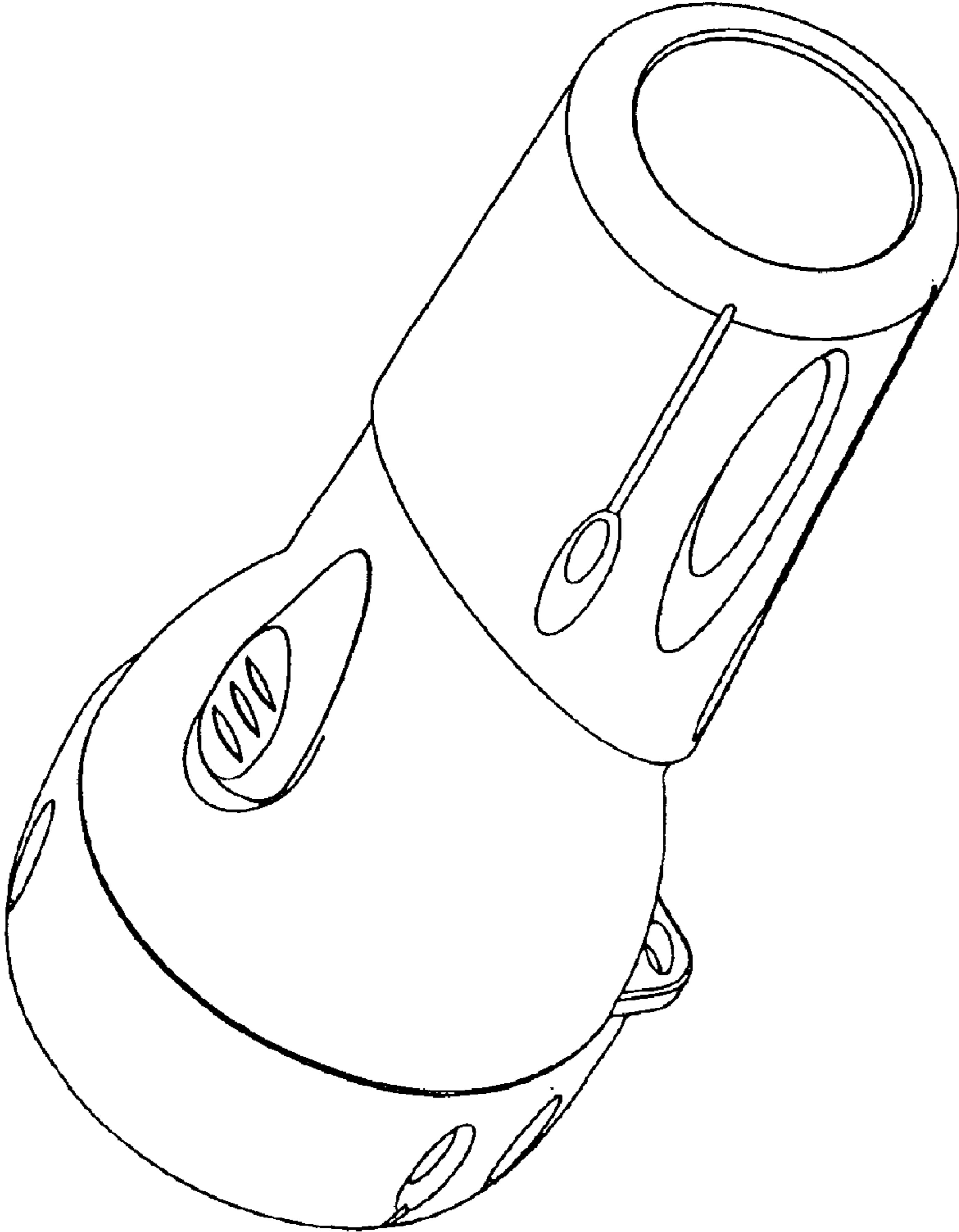


FIG. 8