



US00D502277S

(12) **United States Design Patent**
Chen

(10) **Patent No.:** **US D502,277 S**

(45) **Date of Patent:** **** Feb. 22, 2005**

(54) **ANTI-SHOCK FLASHLIGHT**

D449,703 S * 10/2001 Dalton et al. D26/49

(75) **Inventor:** **Joy Chen**, Burlingame, CA (US)

* cited by examiner

(73) **Assignee:** **Pentalite Corporation**, Burlingame, CA (US)

Primary Examiner—Marcus A. Jackson

(74) *Attorney, Agent, or Firm*—Rosenberg, Klein & Lee

(**) **Term:** **14 Years**

(57) **CLAIM**

The ornamental design for an anti-shock flashlight, as shown and described.

(21) **Appl. No.:** **29/200,685**

(22) **Filed:** **Mar. 4, 2004**

DESCRIPTION

(51) **LOC (7) Cl.** **26-02**

(52) **U.S. Cl.** **D26/49**

(58) **Field of Search** D26/37-50; 362/157,
362/158, 171-174, 183-208

FIG. 1 is a perspective view of anti-shock flashlight showing my design;

FIG. 2 is a front elevational view thereof;

FIG. 3 is rear elevational view thereof.

FIG. 4 is left elevational view thereof;

FIG. 5 is a right elevational view thereof;

FIG. 6 is a top view thereof; and,

FIG. 7 is a bottom view thereof.

(56) **References Cited**

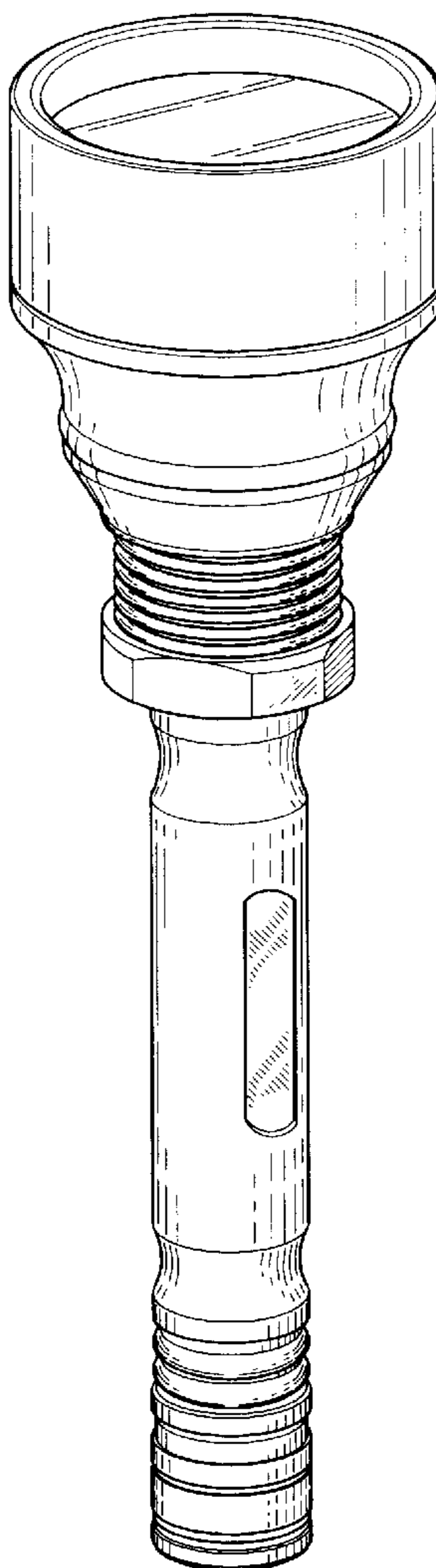
U.S. PATENT DOCUMENTS

D410,761 S * 6/1999 Chiu D26/49

D425,230 S * 5/2000 Cheung D26/49

D443,090 S * 5/2001 Lam D26/49

1 Claim, 4 Drawing Sheets



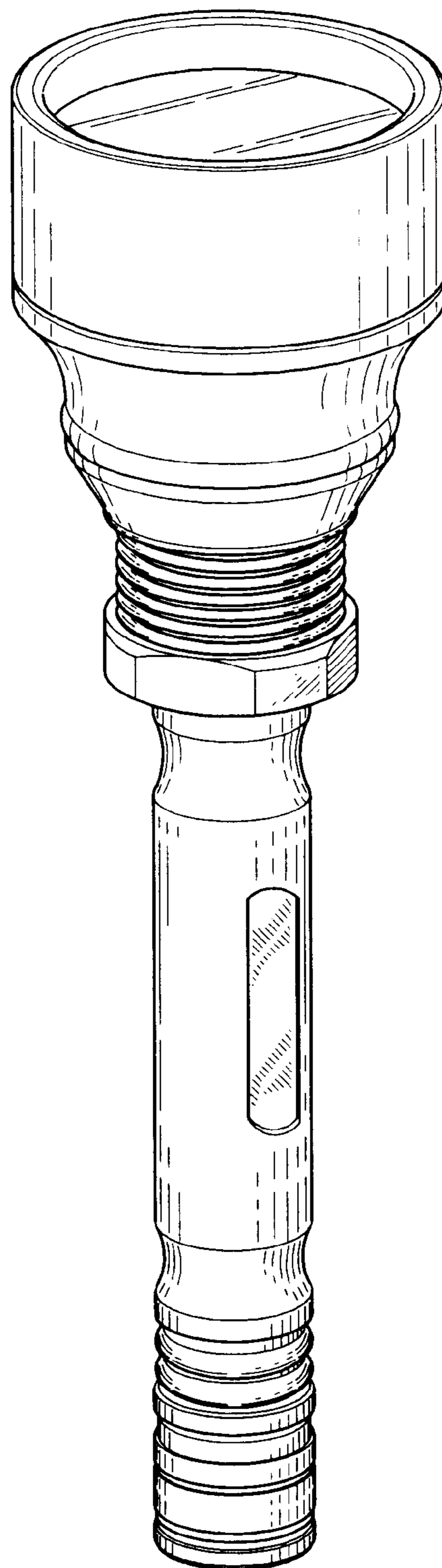


FIG. 1

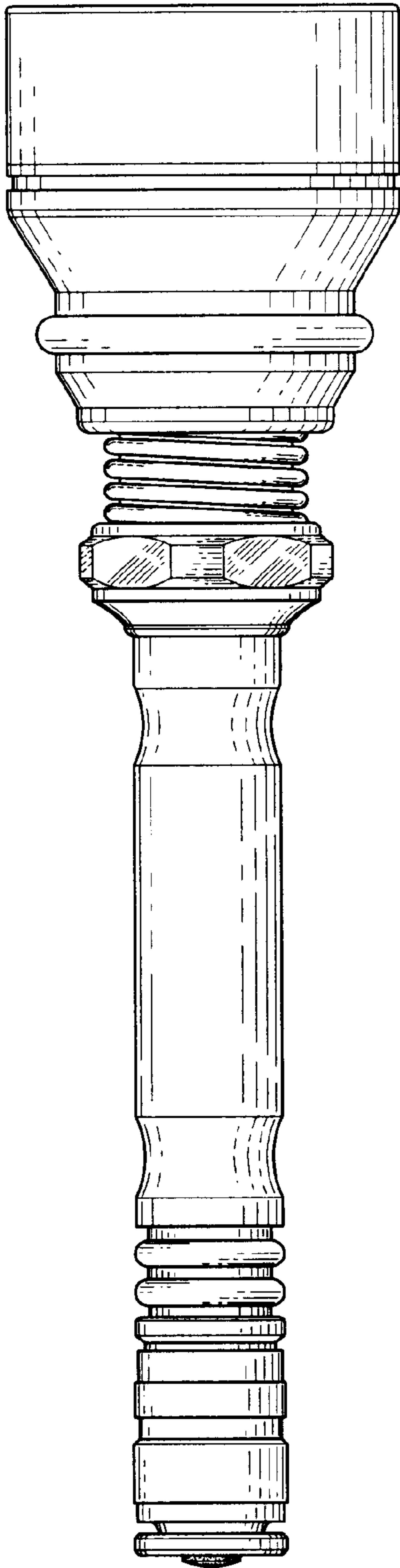


FIG. 2

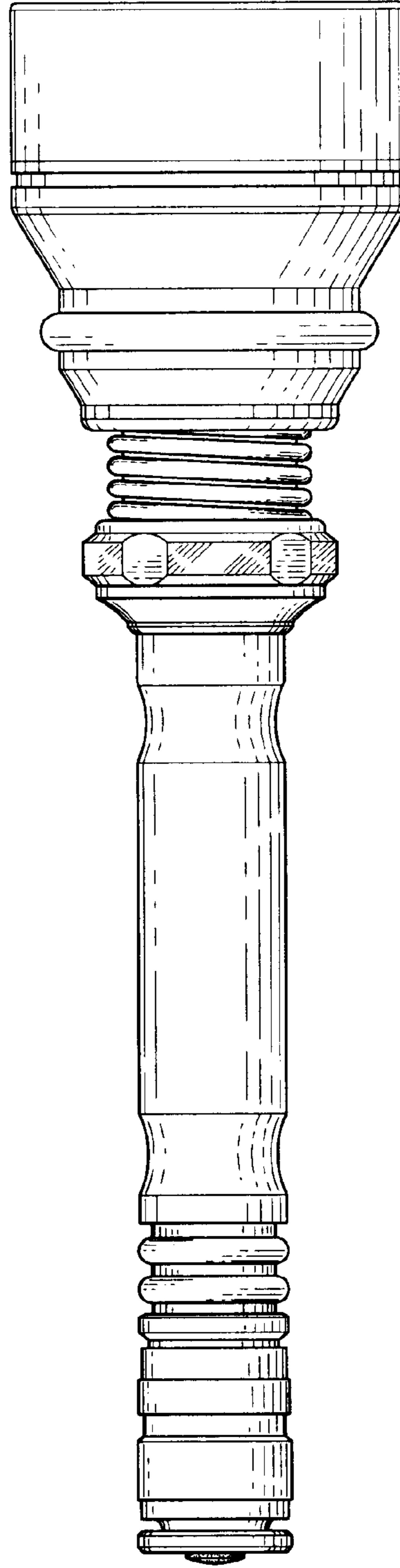


FIG. 3

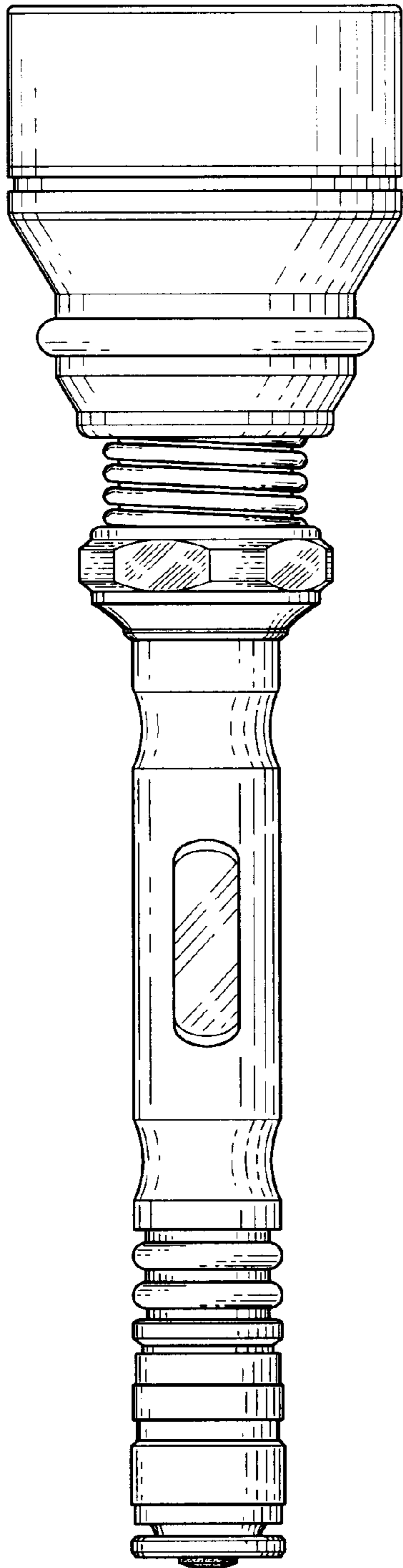


FIG.4

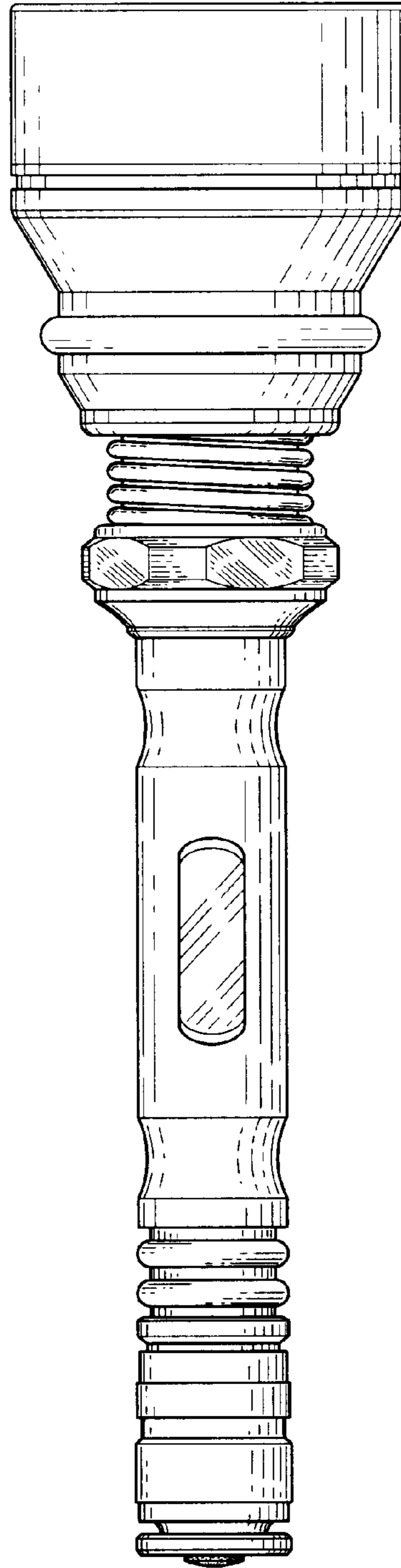


FIG.5

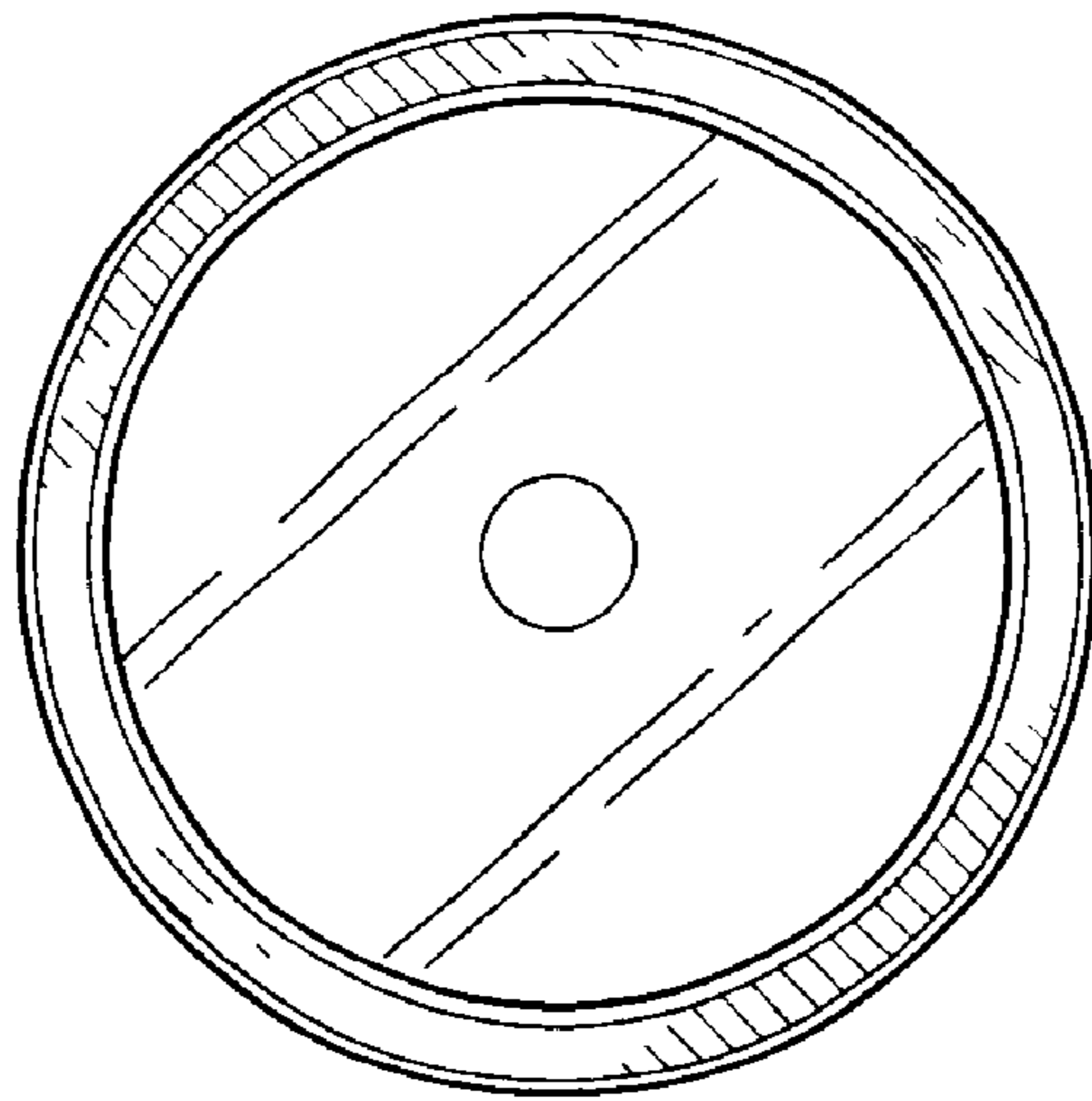


FIG.6

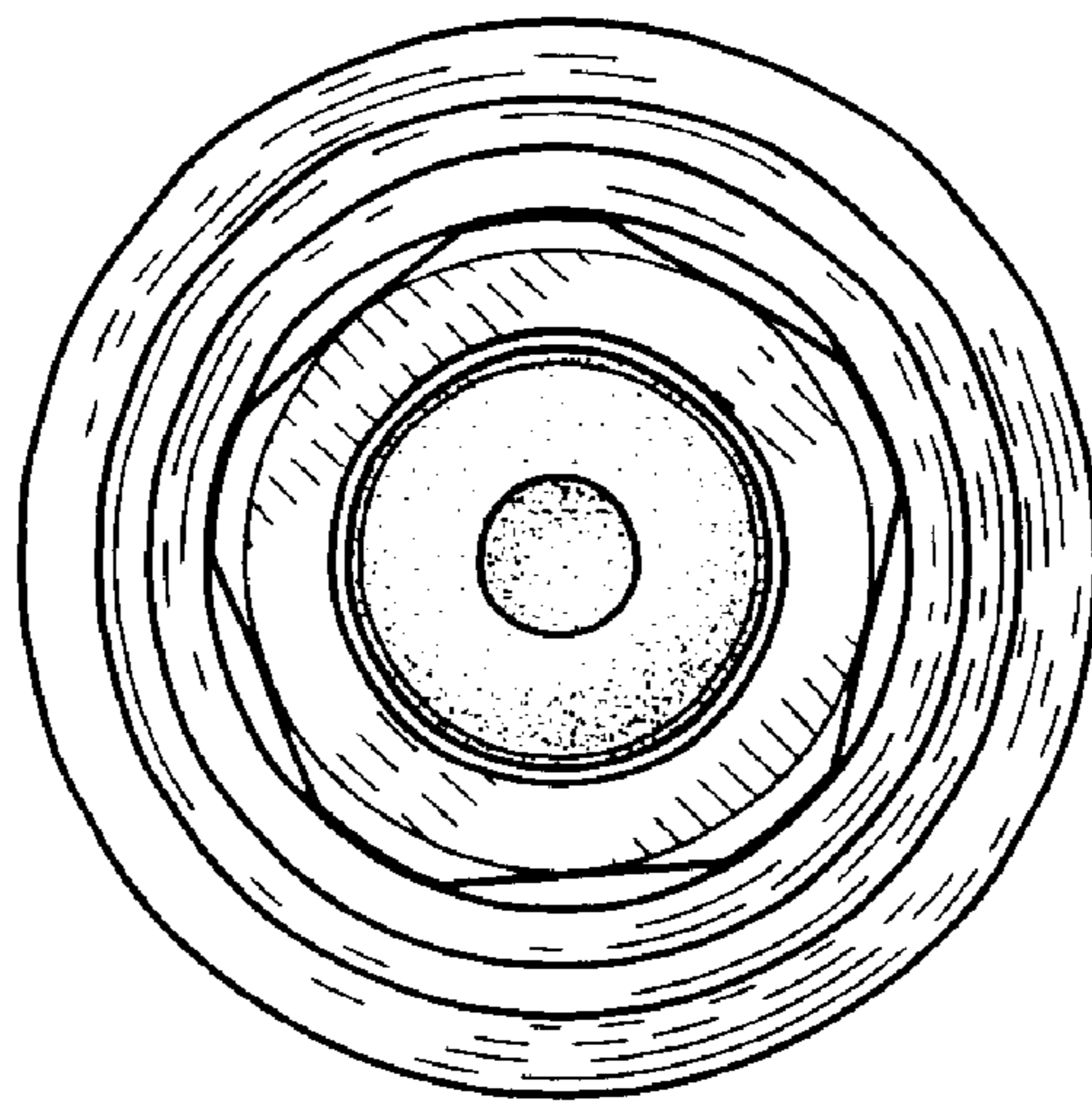


FIG.7