

US00D502268S

(12) **United States Design Patent**
Sakai et al.

(10) **Patent No.: US D502,268 S**

(45) **Date of Patent: ** Feb. 22, 2005**

(54) **REAGENT CONTAINER**

(75) Inventors: **Masahiko Sakai**, Mishima (JP); **Fumio Mizoguchi**, Oume (JP); **Shinya Matsuyama**, Numazu (JP)

(73) Assignee: **Olympus Corporation**, Tokyo (JP)

(**) Term: **14 Years**

(21) Appl. No.: **29/177,595**

(22) Filed: **Feb. 25, 2003**

(30) **Foreign Application Priority Data**

Aug. 28, 2002	(JP)	2002-023098
Aug. 28, 2002	(JP)	2002-023099
Aug. 28, 2002	(JP)	2002-023100
Aug. 28, 2002	(JP)	2002-023101
Aug. 28, 2002	(JP)	2002-023102

(51) **LOC (7) Cl.** **24-01**

(52) **U.S. Cl.** **D24/224; D24/223**

(58) **Field of Search** **D24/223, 224; 422/102, 103, 99; D9/516, 520, 523, 572, 575**

(56) **References Cited**

U.S. PATENT DOCUMENTS

D287,638 S * 1/1987 Moore et al. D24/224

D296,668 S	*	7/1988	Stavish	D9/520
D342,140 S	*	12/1993	Sakagami et al.	D24/224
D353,464 S	*	12/1994	Ushikubo	D24/224
D358,219 S	*	5/1995	Ushikubo	D24/224
D380,553 S	*	7/1997	Riekkinen	D24/224
D406,351 S	*	3/1999	Yamazaki et al.	D24/224
D407,826 S	*	4/1999	Yamazaki et al.	D24/224

* cited by examiner

Primary Examiner—Stella Reid

(74) *Attorney, Agent, or Firm*—Hogan & Hartson LLP

(57) **CLAIM**

The ornamental design for a reagent container, as shown and described.

DESCRIPTION

FIG. 1 is a top, left side perspective view of a reagent container, showing our new design;
FIG. 2 is a bottom, right side perspective view thereof;
FIG. 3 is a front view thereof;
FIG. 4 is a rear view thereof;
FIG. 5 is a top plan view thereof;
FIG. 6 is a bottom plan view thereof;
FIG. 7 is a right side view thereof;
FIG. 8 is a left side view thereof; and,
FIG. 9 is a cross-sectional view taken along line 9—9 of FIG. 5.

1 Claim, 6 Drawing Sheets

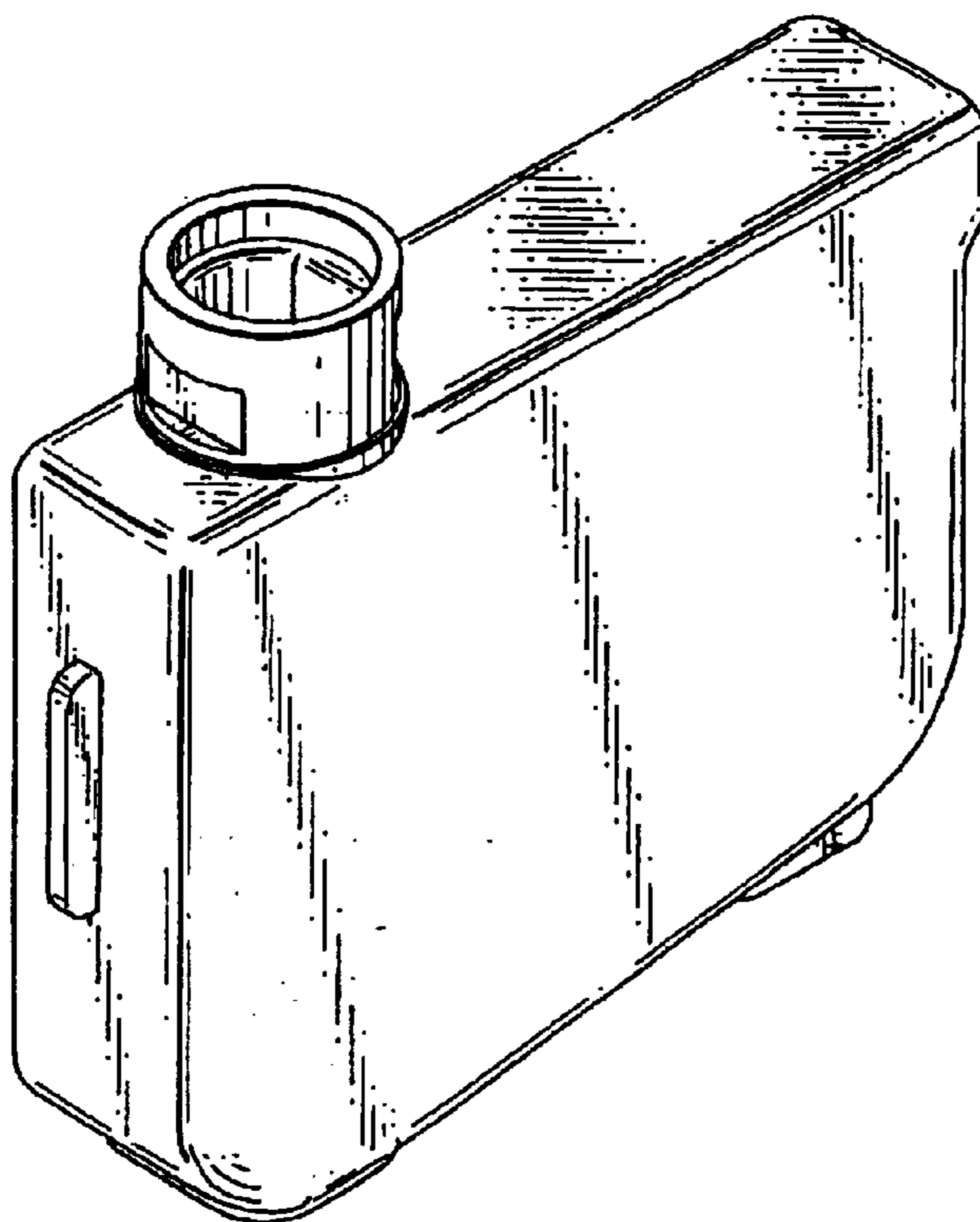


FIG. 1

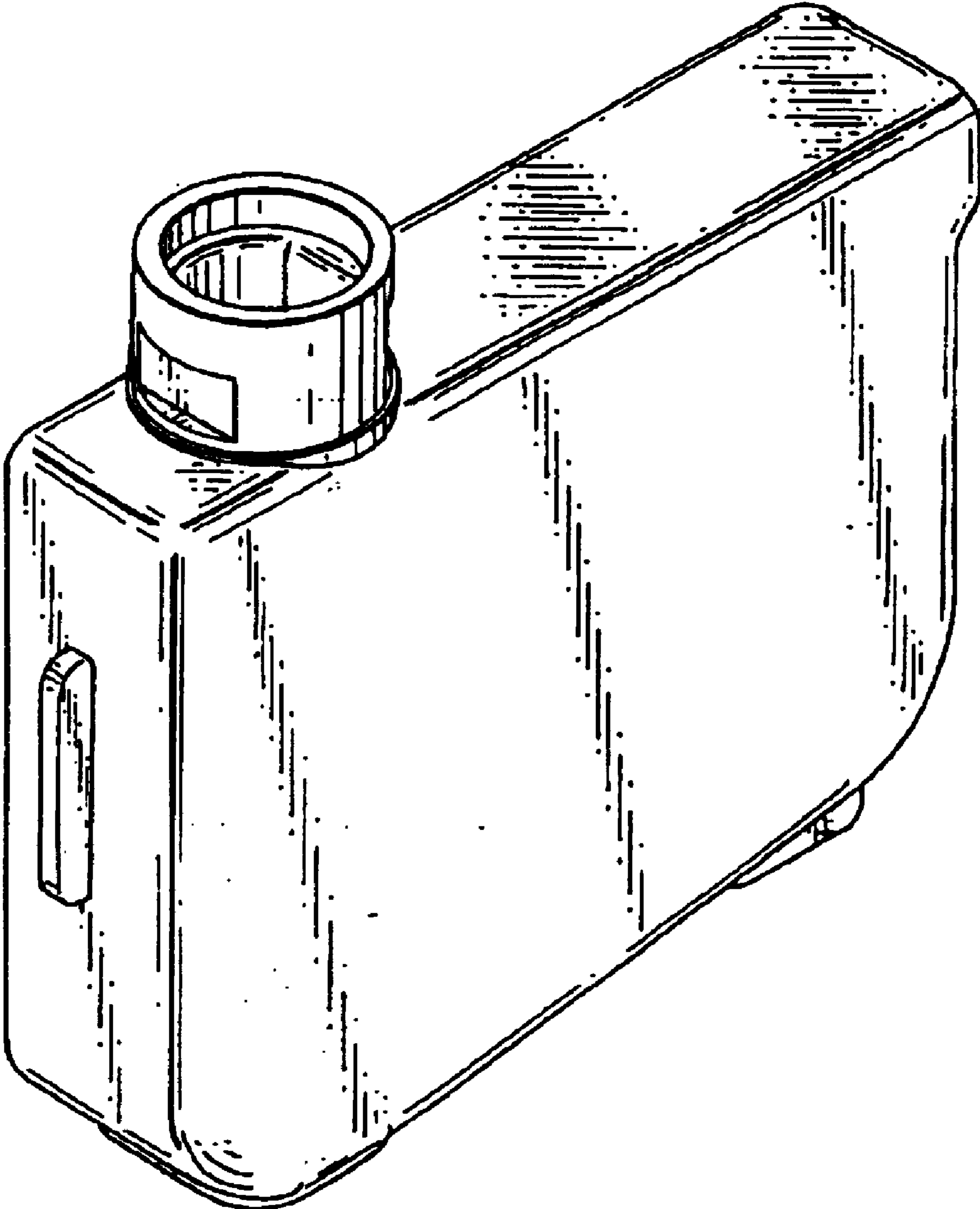


FIG. 2

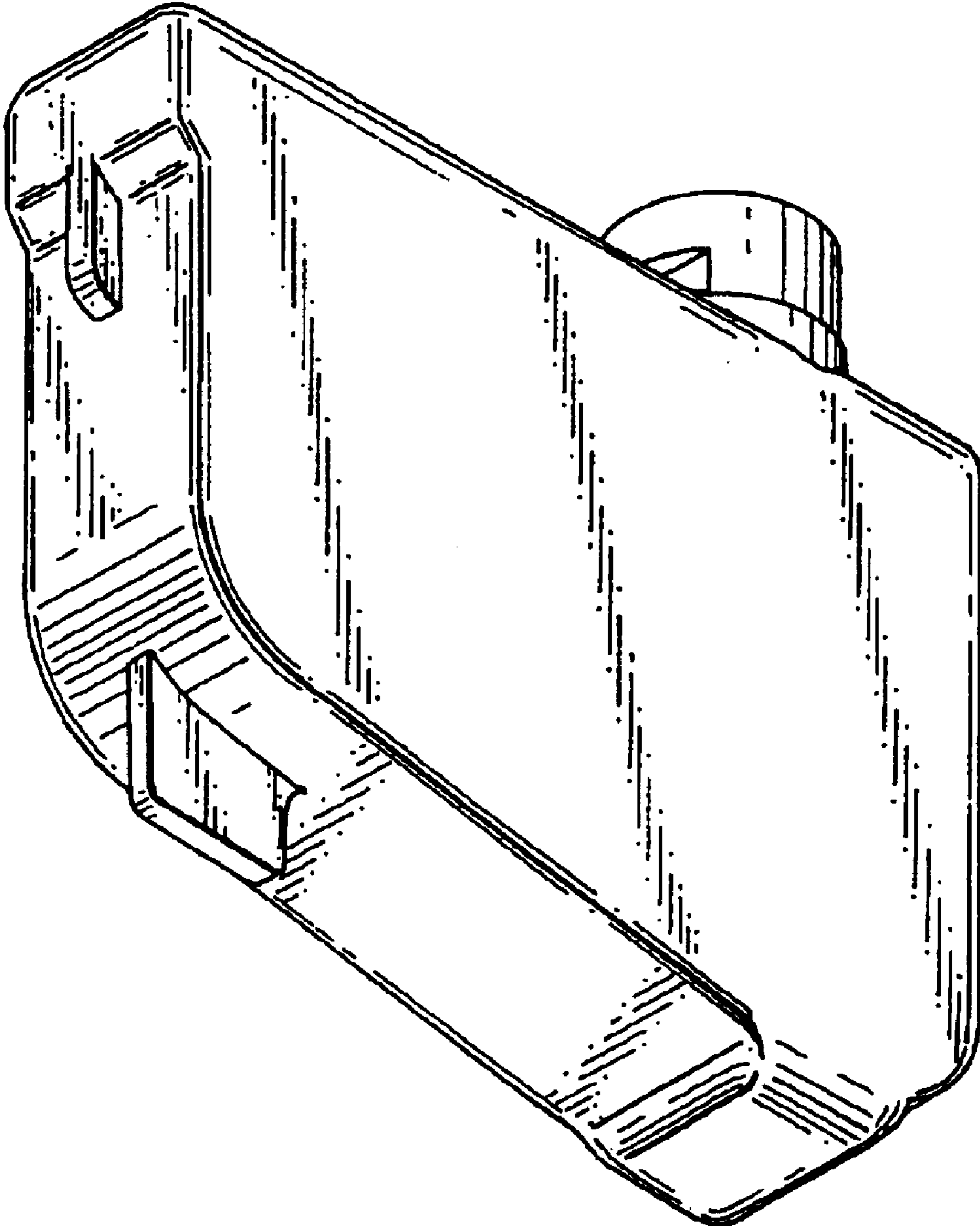


FIG. 3

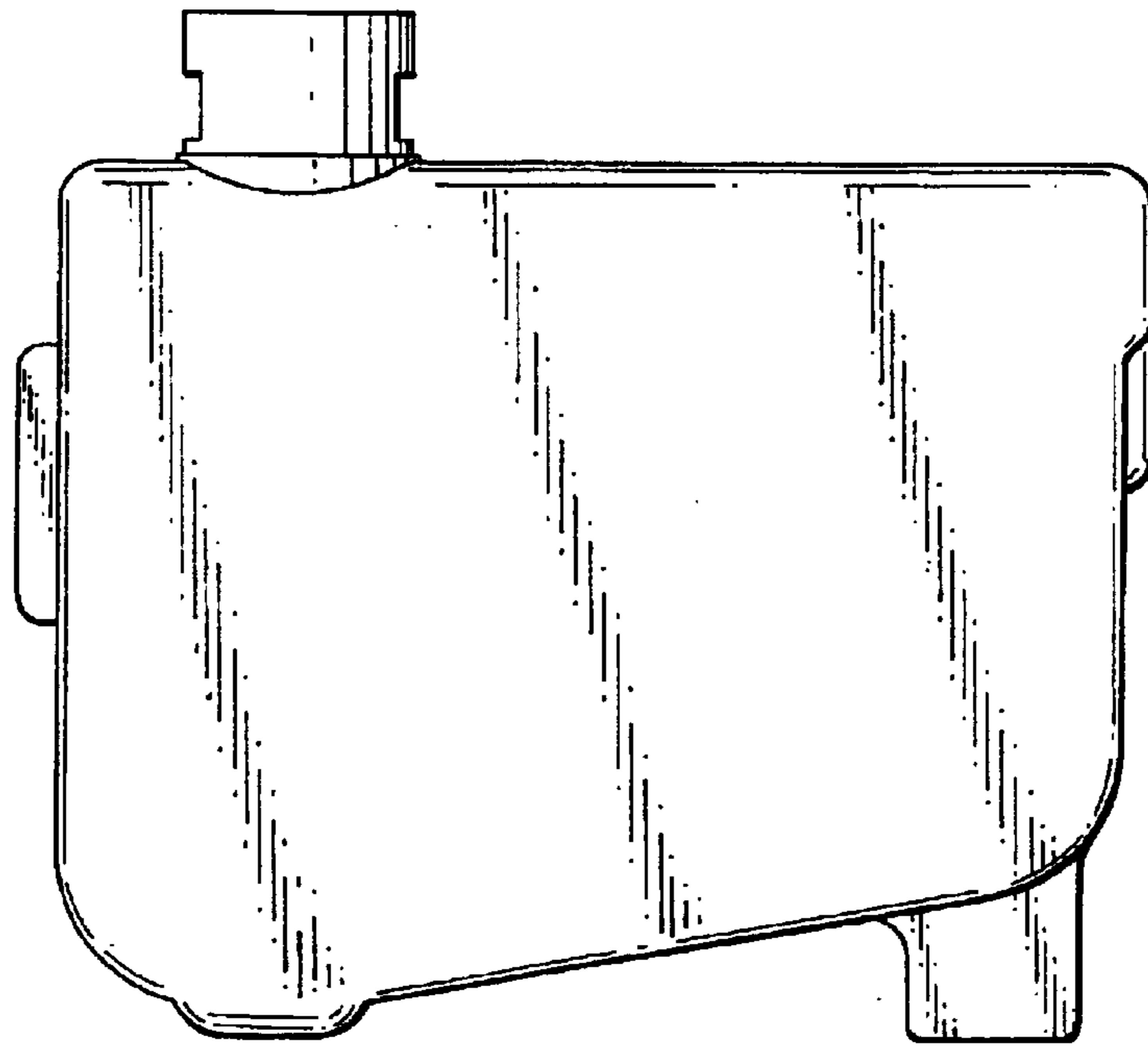


FIG. 4

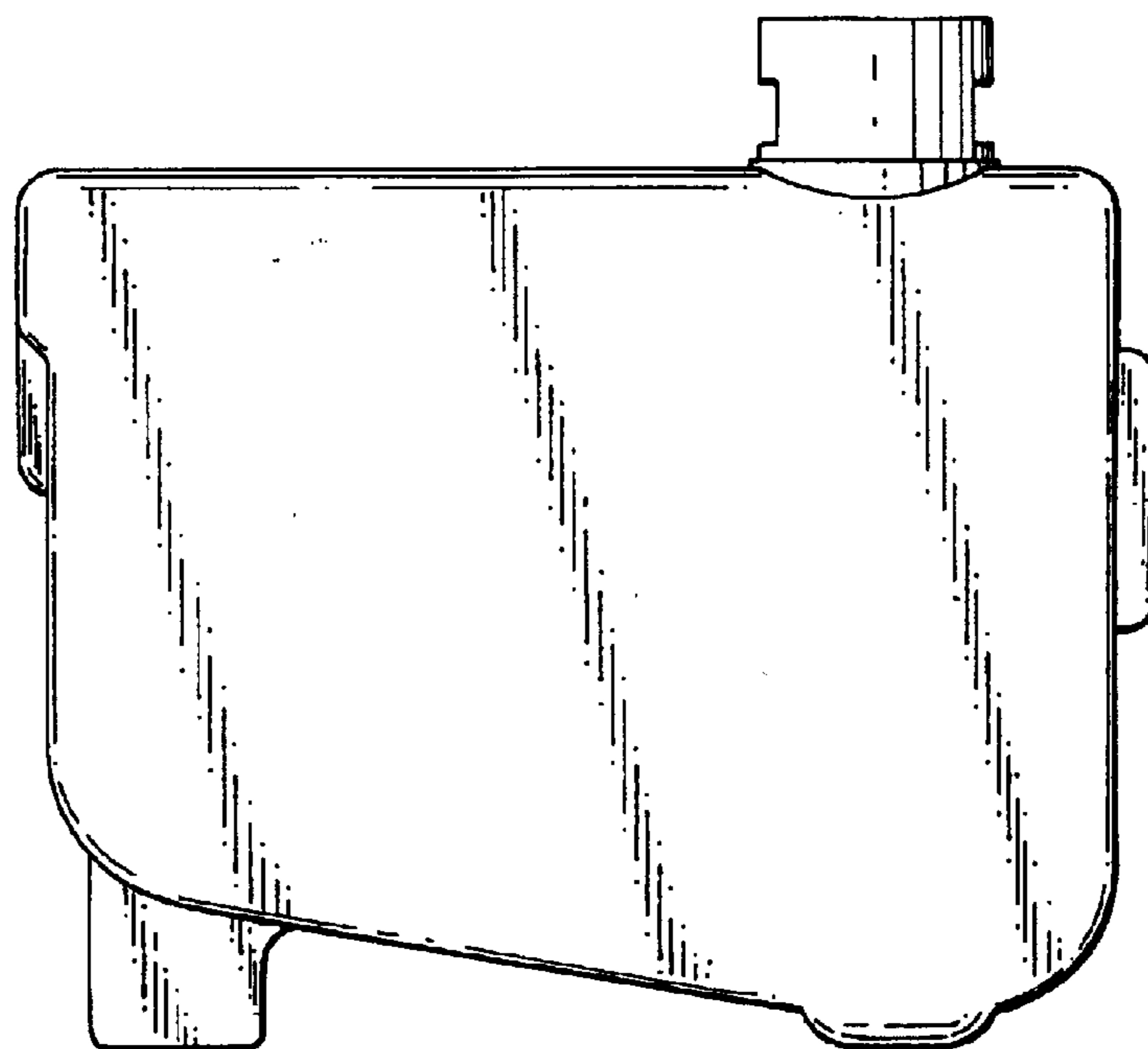


FIG. 5

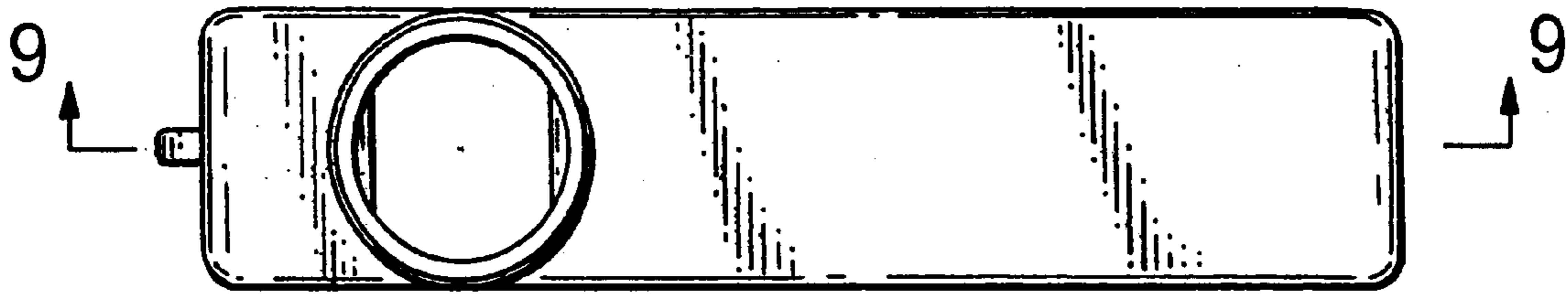


FIG. 6

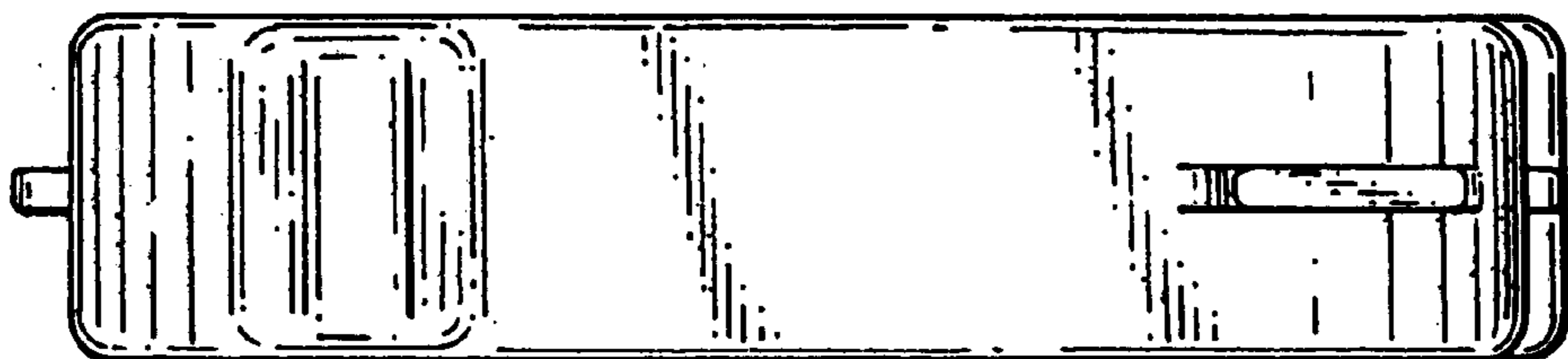


FIG. 7

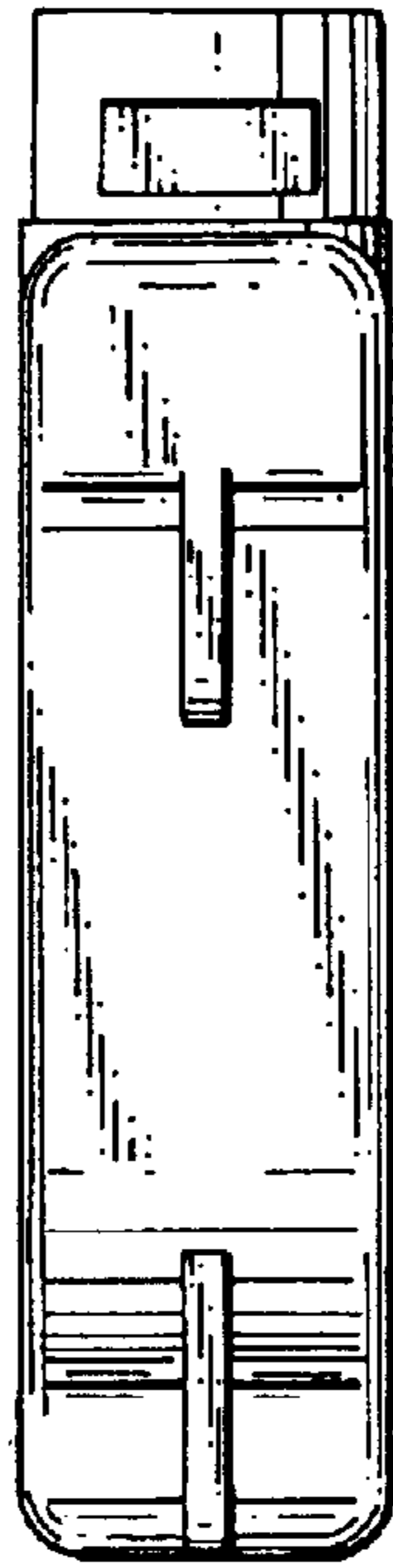


FIG. 8

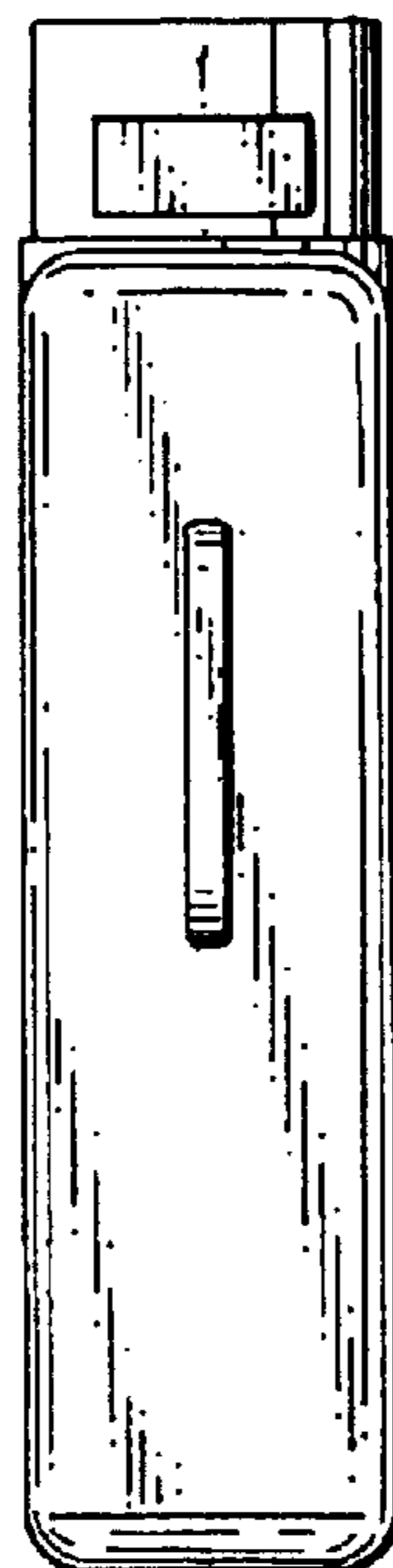


FIG. 9

