

US00D502261S

(12) **United States Design Patent** (10) **Patent No.:** **US D502,261 S**
Kopacko et al. (45) **Date of Patent:** **** Feb. 22, 2005**

(54) **NASAL MASK**

(75) Inventors: **Ralph E. Kopacko**, Irwin, PA (US);
Zachary D. Paul, Pittsburgh, PA (US);
Joseph M. Miceli, Jr., Pittsburgh, PA (US)

(73) Assignee: **Respironics, Inc.**, Murrysville, PA (US)

(**) Term: **14 Years**

(21) Appl. No.: **29/141,340**

(22) Filed: **May 3, 2001**

Related U.S. Application Data

(62) Division of application No. 29/109,077, filed on Aug. 10, 1999, now Pat. No. Des. 441,860.

(51) **LOC (7) Cl.** **29-02**

(52) **U.S. Cl.** **D24/110.4; D24/110.5**

(58) **Field of Search** D24/110.4, 110.5,
D24/110.1; 128/206.27, 206.21, 207.11,
205.25, 206.24, 206.26, 207.18, 207.13,
207.12, 206.28

(56) **References Cited**

U.S. PATENT DOCUMENTS

D47,140 S	3/1915	Newkirk
2,011,733 A	8/1935	Shindel
2,104,016 A	1/1938	Biggs
2,254,854 A	9/1941	O'Connell
2,317,608 A	4/1943	Heidbrink
2,749,910 A	6/1956	Faulconer, Jr.
2,931,356 A	4/1960	Schwarz
2,939,458 A	6/1960	Lundquist
3,330,273 A	7/1967	Bennett
4,167,185 A	9/1979	Lewis
4,655,213 A	4/1987	Rapoport et al.
4,677,977 A	7/1987	Wilcox
4,731,891 A	3/1988	Scheurer et al.
4,739,755 A	4/1988	White et al.
4,876,755 A	10/1989	Parrish
4,907,584 A	3/1990	McGinnis

4,944,310 A	7/1990	Sullivan
4,971,051 A	11/1990	Toffolon
5,042,478 A	8/1991	Kopala et al.
D333,015 S	2/1993	Farmer et al.

(List continued on next page.)

FOREIGN PATENT DOCUMENTS

WO WO 98/04310 2/1998

OTHER PUBLICATIONS

Sales Brochure—"Comfort Flap Mask Accessory", Respironics, Inc. 1994.

Sales Brochure—"Spectrum Reusable Full Face Mask", Respironics, Inc. 1998.

Sales Brochure—"Small Child Reusable Nasal Mask", Respironics, Inc. 1994.

Sales Brochure—"Monarch Ultra Mini Mask", Respironics, Inc. 1998.

Sales Brochure—"The Softest, Silkiest CPAP Mask Available", Respironics, Inc. 1998.

Primary Examiner—Ian Simmons

(74) *Attorney, Agent, or Firm*—Michael W. Haas

(57) **CLAIM**

The ornamental design for a nasal mask, as shown and described.

DESCRIPTION

FIG. 1 is a perspective view of a nasal mask in accordance with our new design, the broken line showing is for illustrative purposes only and forms no part of the claimed design.

FIG. 2 is an additional perspective view of a nasal mask in accordance with our new design.

FIG. 3 is a front view of the nasal mask shown in FIG. 1.

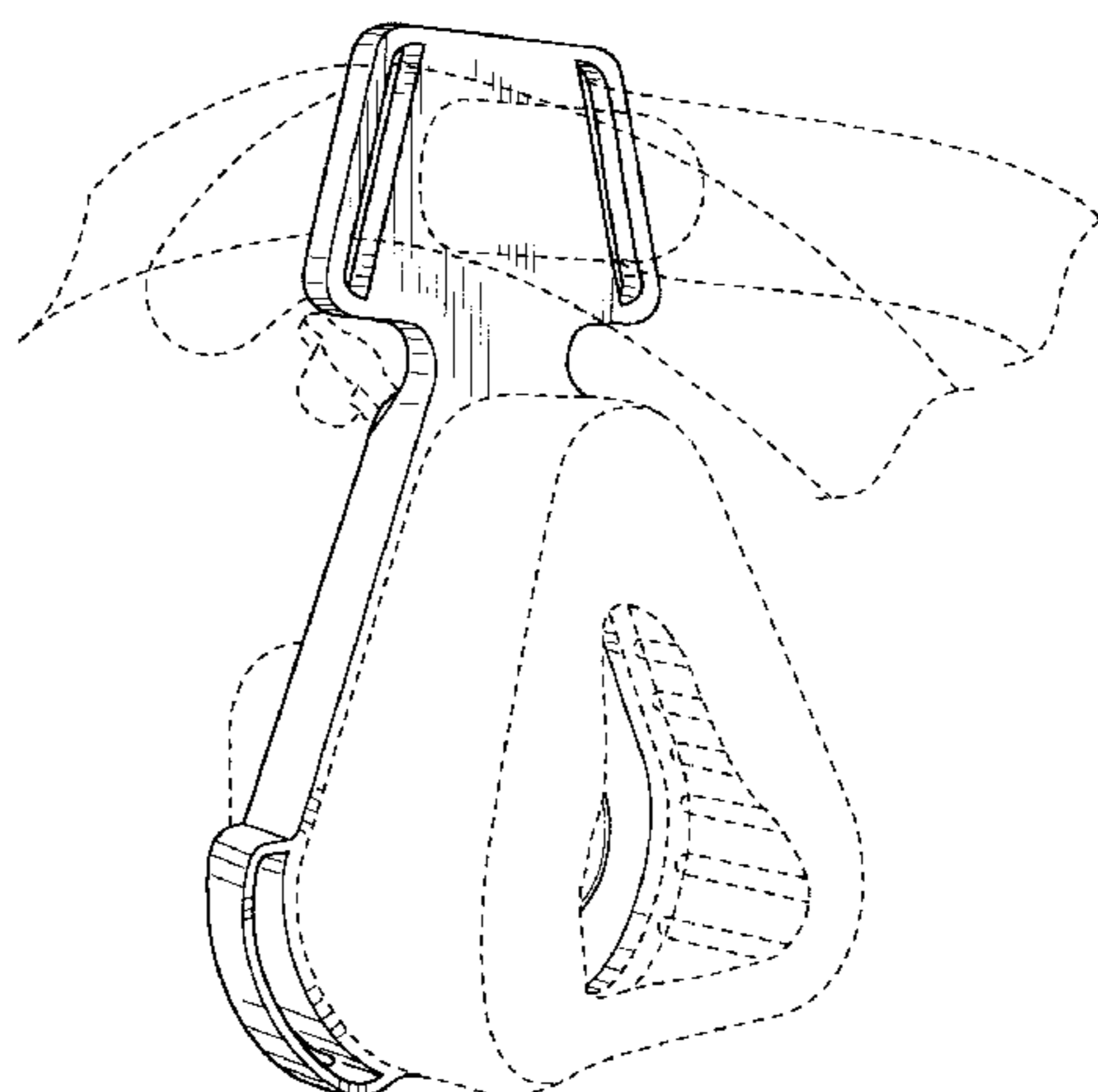
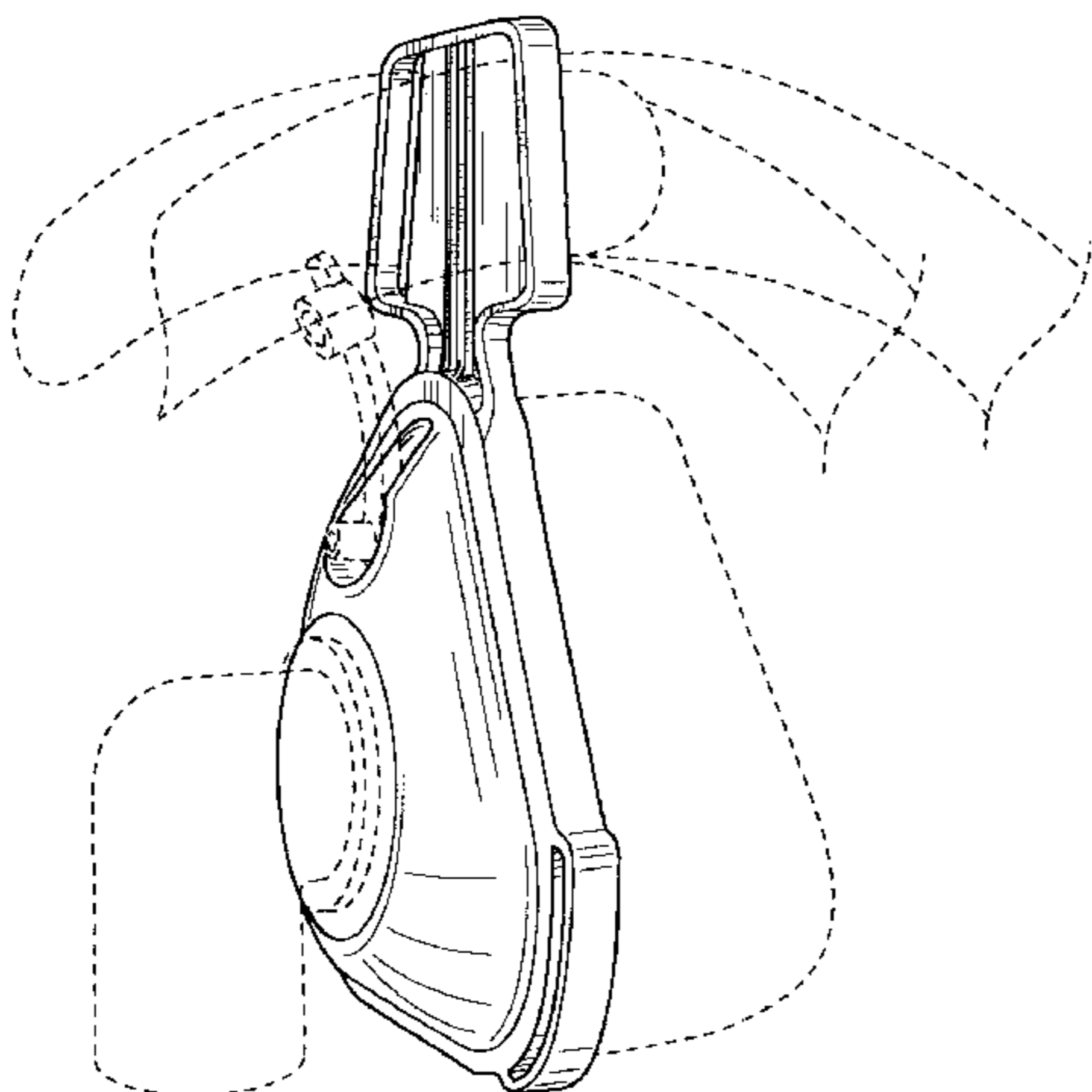
FIG. 4 is a side view of the nasal mask shown in FIG. 1. The opposite side is similar and not separately illustrated herein.

FIG. 5 is a back view of the nasal mask shown in FIG. 1.

FIG. 6 is a top view of the nasal mask shown in FIG. 1; and,

FIG. 7 is a bottom view of the nasal mask shown in FIG. 1.

1 Claim, 6 Drawing Sheets



US D502,261 S

Page 2

U.S. PATENT DOCUMENTS

5,243,971 A	9/1993	Sullivan et al.	5,687,715 A	11/1997	Landis et al.
D349,586 S	8/1994	Handke	D389,238 S	1/1998	Kirk, III et al.
5,492,116 A	2/1996	Scarberry et al.	5,724,965 A	3/1998	Handke et al.
5,517,986 A	5/1996	Starr et al.	5,746,201 A	5/1998	Kidd
5,540,223 A	7/1996	Starr et al.	D419,670 S	1/2000	Pollard
5,542,128 A	8/1996	Lomas	D428,139 S *	7/2000	Smart D24/110.5
5,560,354 A	10/1996	Berthon-Jones et al.	6,112,746 A	9/2000	Kwok et al.
5,570,689 A	11/1996	Starr et al.	6,119,693 A	9/2000	Kwok et al.
5,647,357 A	7/1997	Barnett et al.	6,374,826 B1 *	4/2002	Gunaratnam et al. .. 128/206.27

* cited by examiner

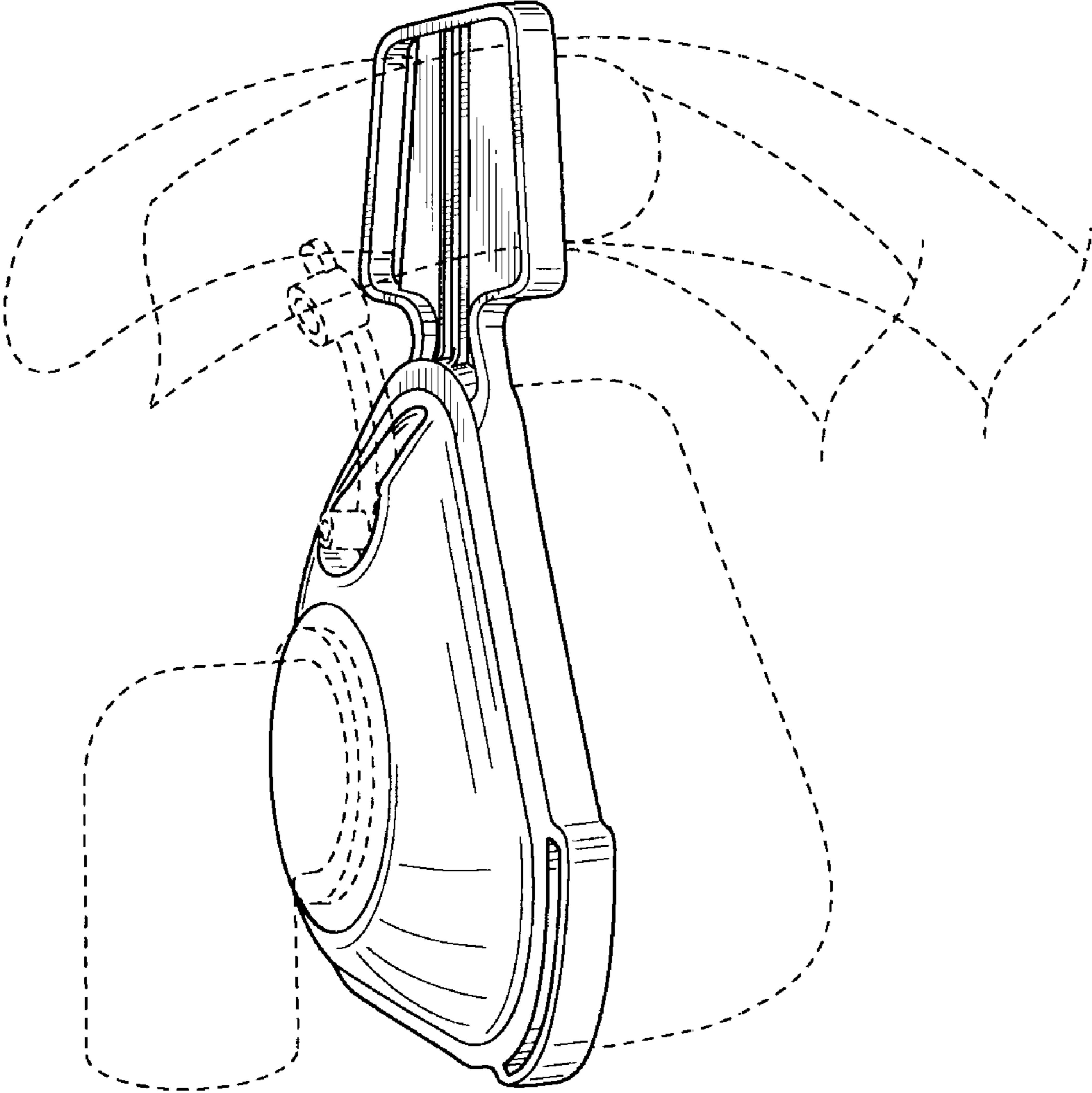


FIG. 1

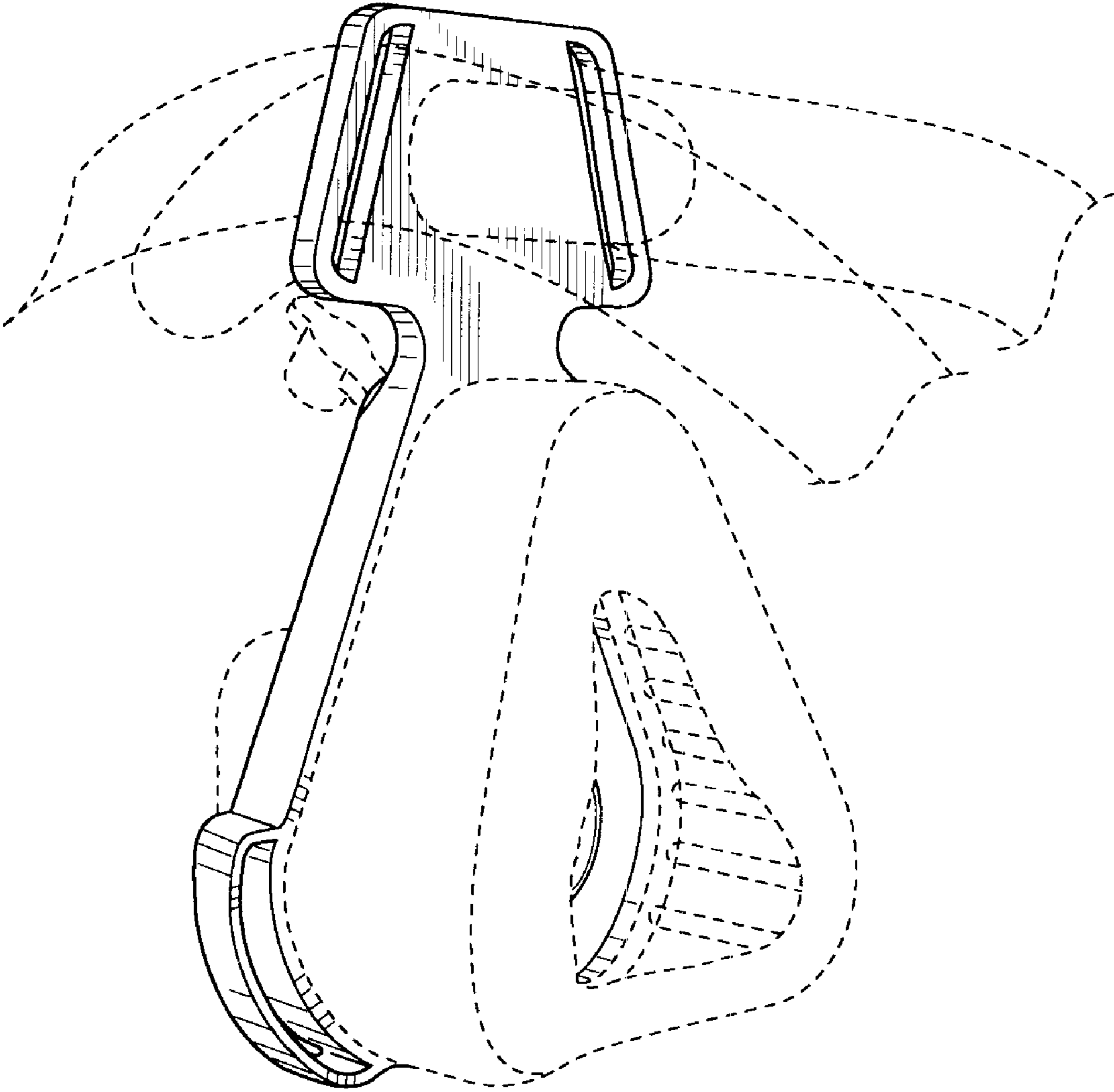


FIG. 2

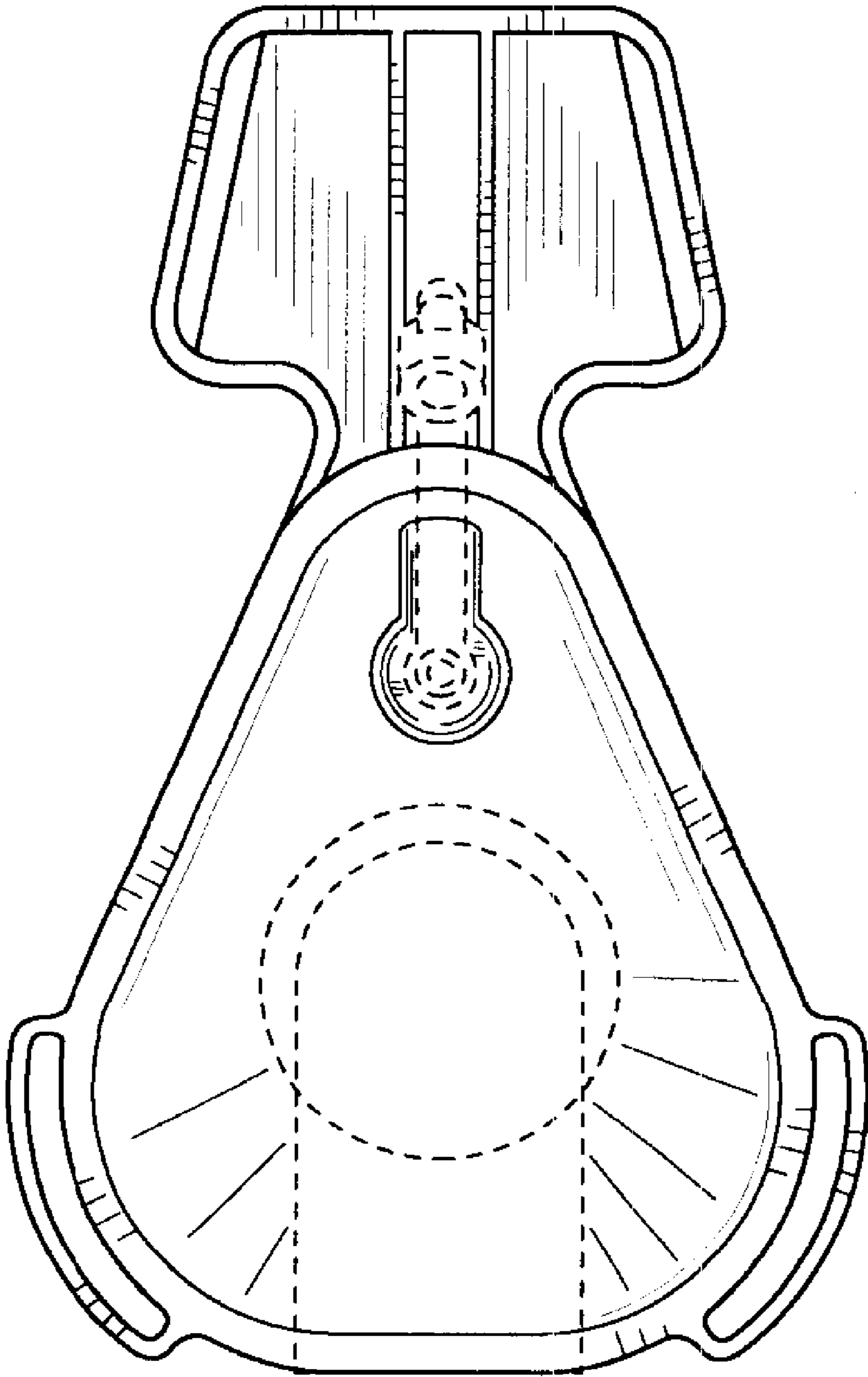


FIG. 3

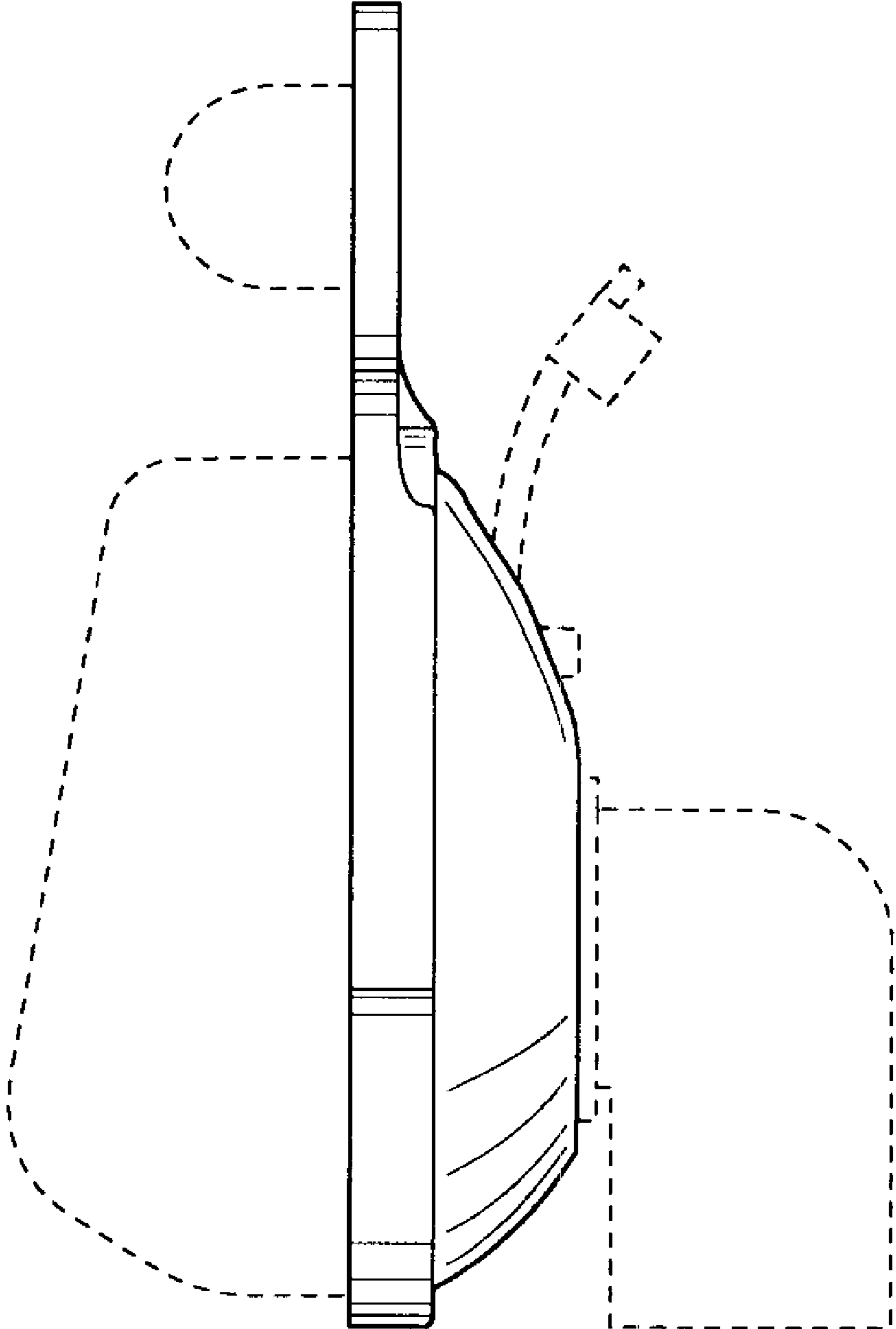


FIG. 4

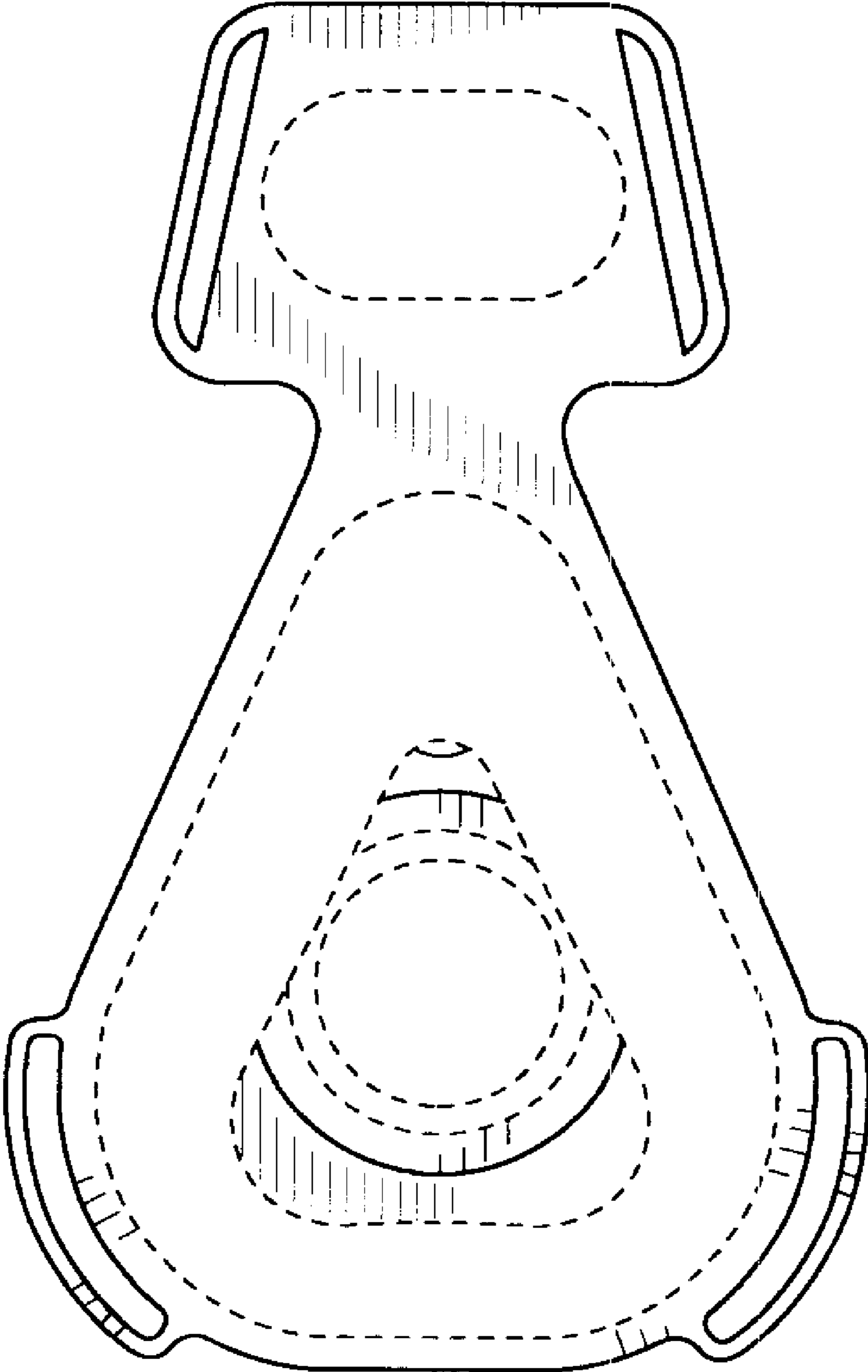


FIG. 5

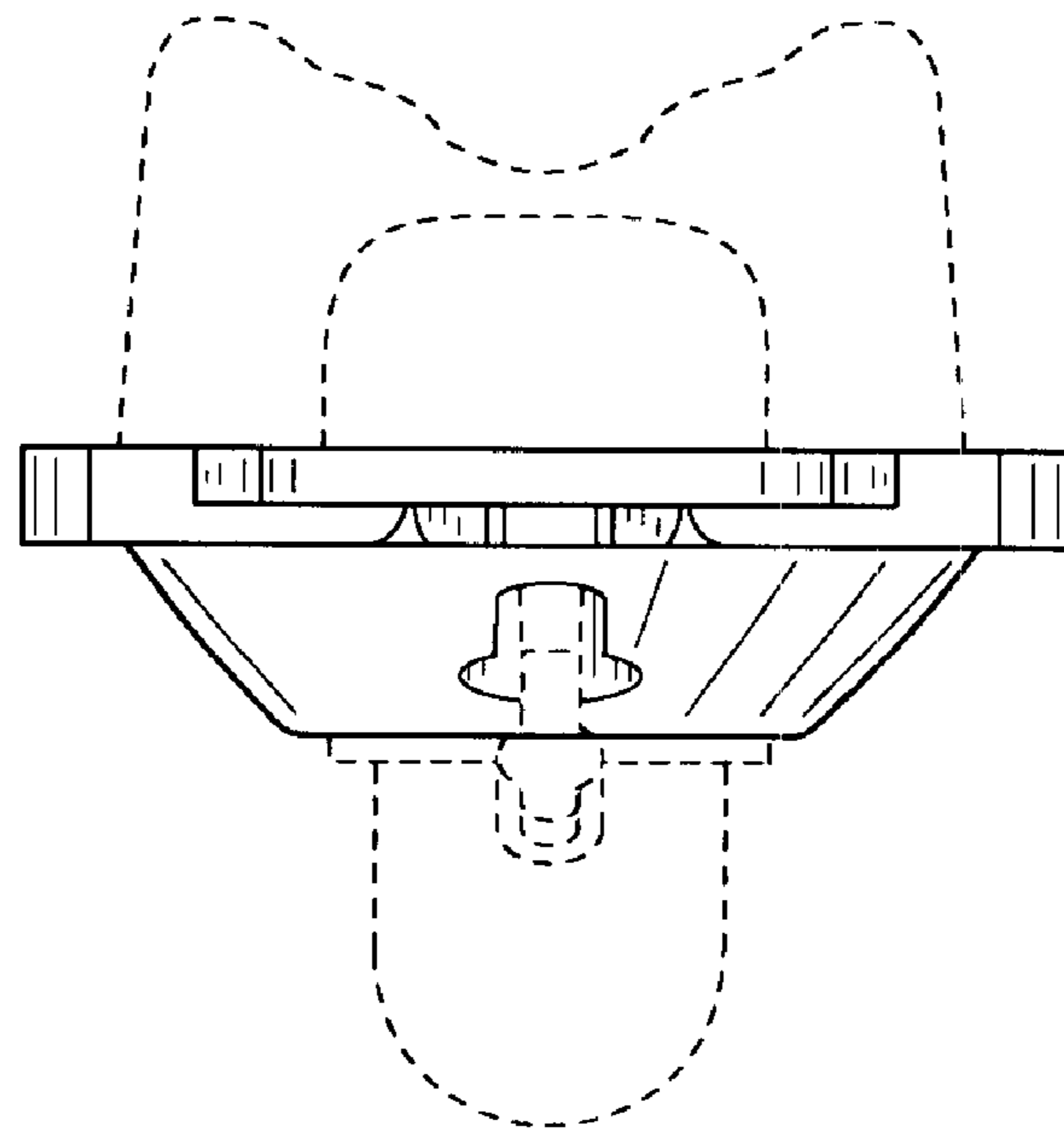


FIG. 6

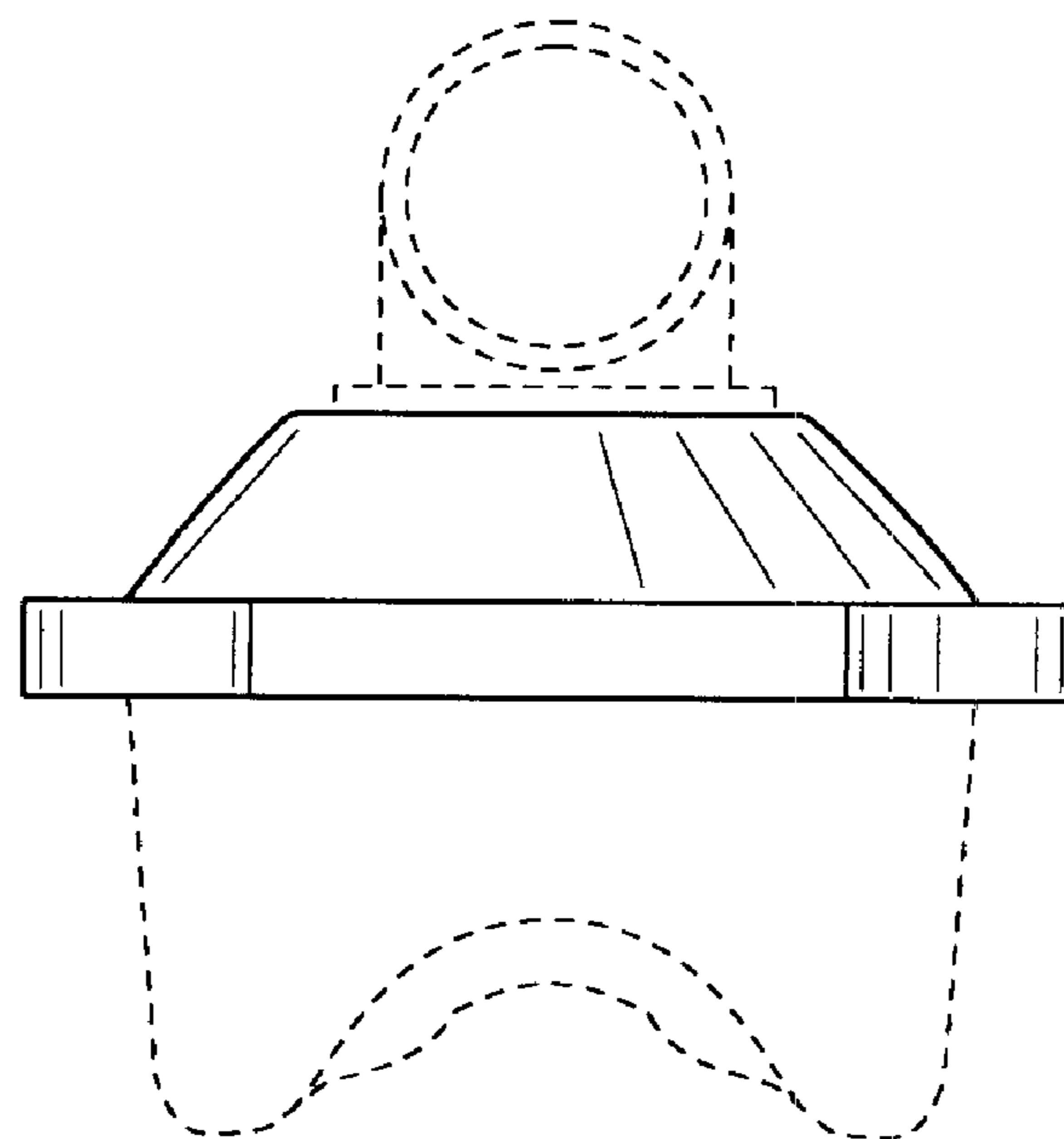


FIG. 7