



US00D502259S

(12) **United States Design Patent**
Hallén

(10) **Patent No.:** **US D502,259 S**
(45) **Date of Patent:** **** Feb. 22, 2005**

(54) **OBSTETRIC SUCTION CUP EXTRACTOR**

(75) Inventor: **Jan-Åke Hallén**, Sävedalen (SE)

(73) Assignee: **Menox AB**, Göteborg (SE)

(**) Term: **14 Years**

(21) Appl. No.: **29/176,762**

(22) Filed: **Feb. 28, 2003**

(30) **Foreign Application Priority Data**

Sep. 2, 2002 (SE) 02-1291

(51) **LOC (7) Cl.** **24-01**

(52) **U.S. Cl.** **D24/108; D24/133**

(58) **Field of Search** D24/108, 133,
D24/107, 143, 109; D8/354, 382, 373;
606/123, 122, 119; 604/74

(56) **References Cited**

U.S. PATENT DOCUMENTS

D30,951 S * 6/1899 Saint, Jr. D24/133
3,263,683 A * 8/1966 Uddenberg 606/123
4,512,347 A 4/1985 Uddenberg 128/352
4,620,544 A 11/1986 O'Neil 128/352

5,957,931 A 9/1999 Dimitriu 606/123
6,059,795 A * 5/2000 Wallace et al. 606/123
2004/0111098 A1 * 6/2004 Hellen 606/123

FOREIGN PATENT DOCUMENTS

GB 2296868 A 7/1996

* cited by examiner

Primary Examiner—Ian Simmons

(74) *Attorney, Agent, or Firm*—Novak Druce LLP

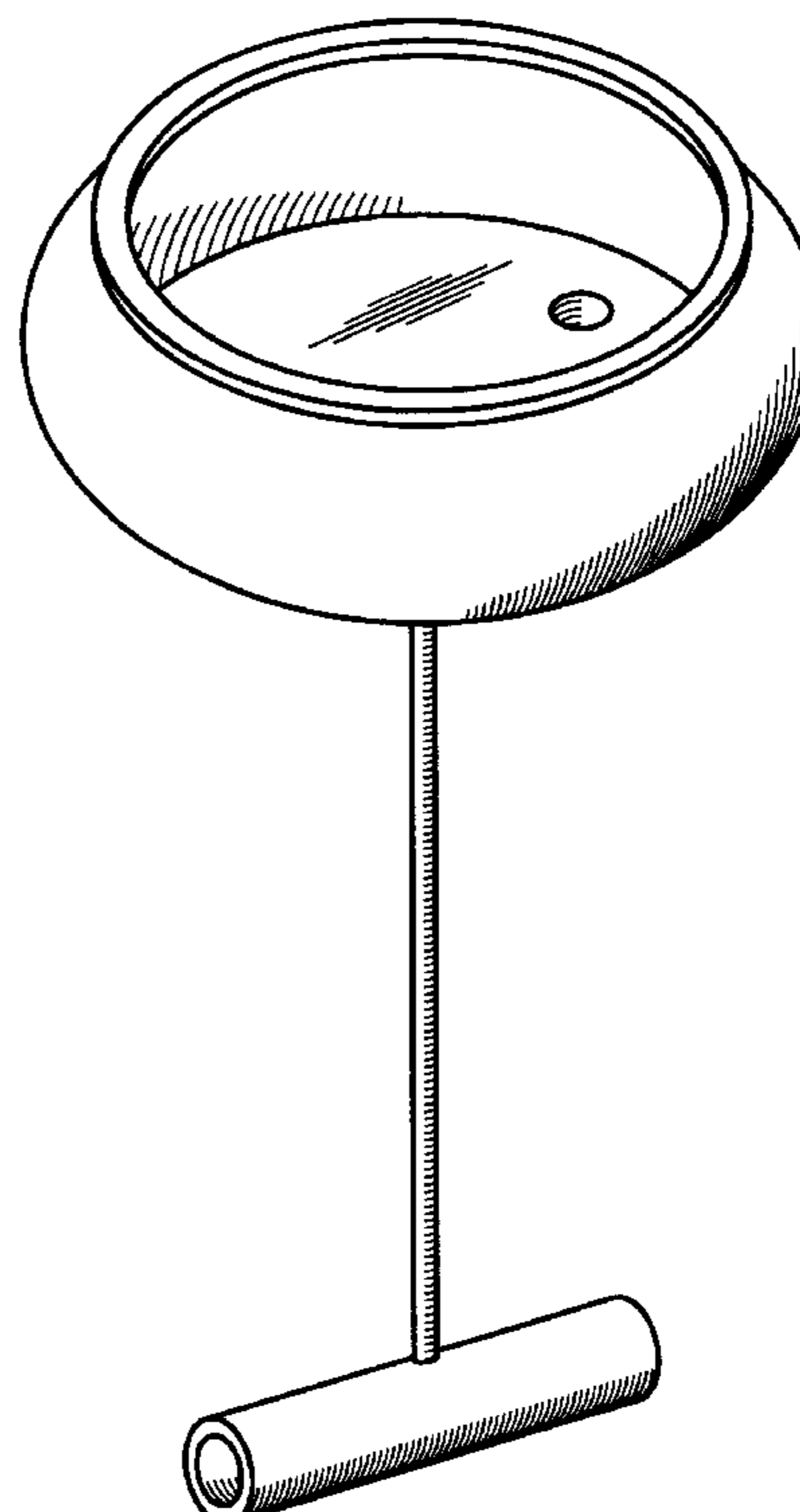
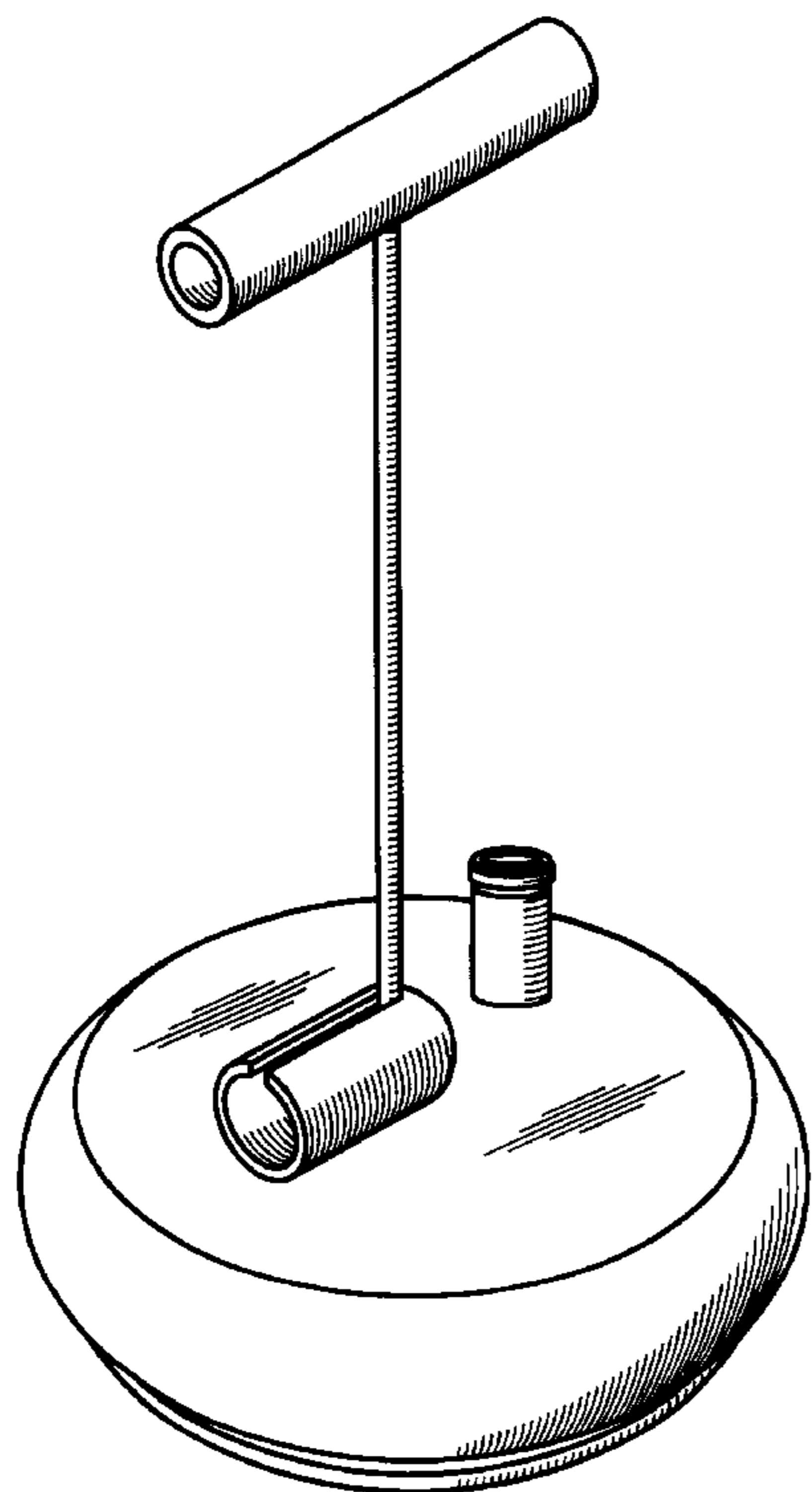
(57) **CLAIM**

I claim the ornamental design for a obstetric suction cup extractor, as shown and described.

DESCRIPTION

FIG. 1 is a perspective view shown from above of an obstetric suction cup extractor showing my new design; FIG. 2 is a perspective view thereof, shown from below; FIG. 3 is a perspective view thereof of the cup portion shown from above, with the handle removed for ease of illustration; FIG. 4 is a perspective view thereof, shown from below; FIG. 5 is a perspective view of the handle shown from above with the cup portion removed for ease of illustration; and, FIG. 6 is a perspective view thereof, shown from below.

1 Claim, 4 Drawing Sheets



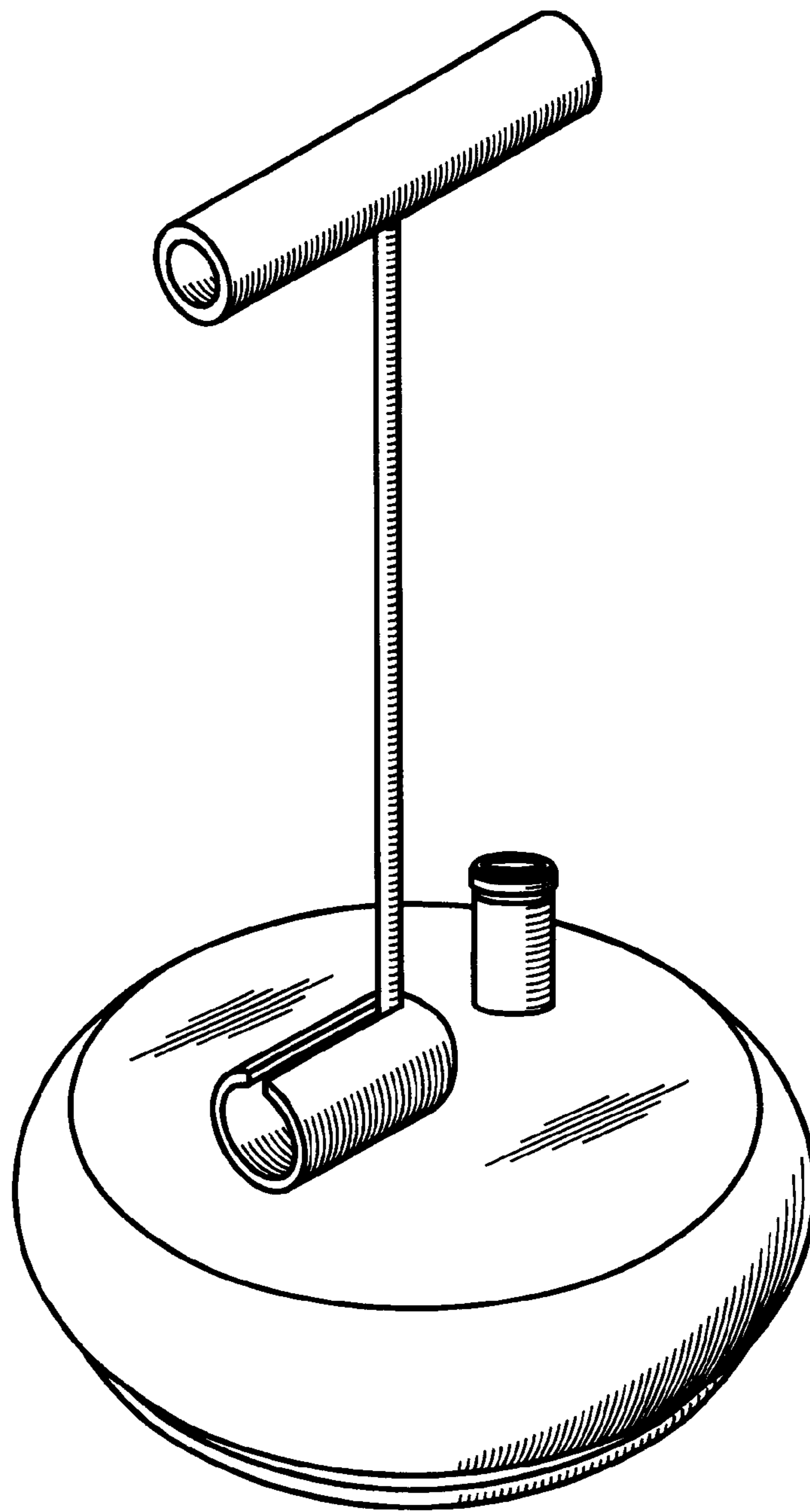


FIG. 1

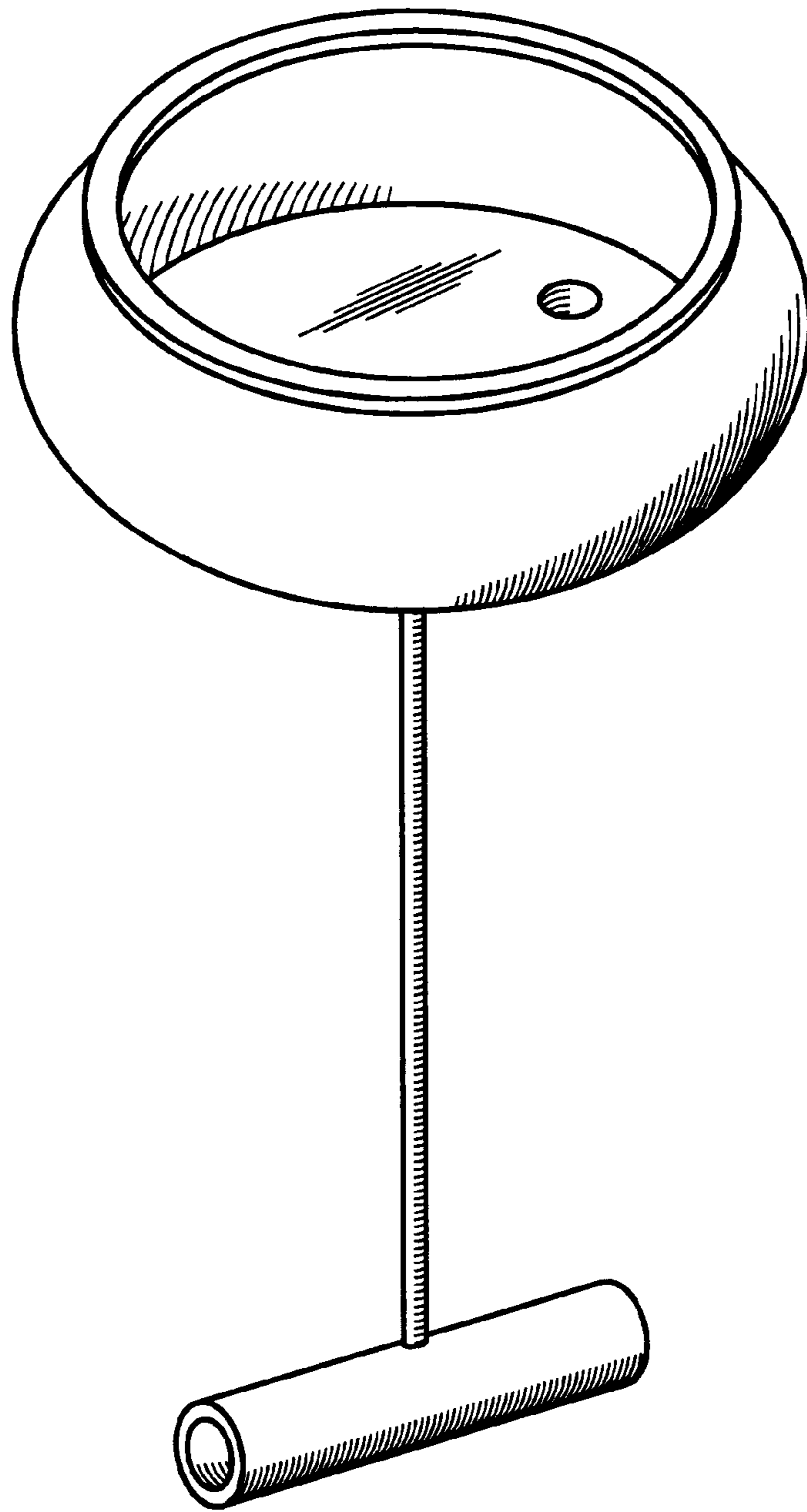


FIG. 2

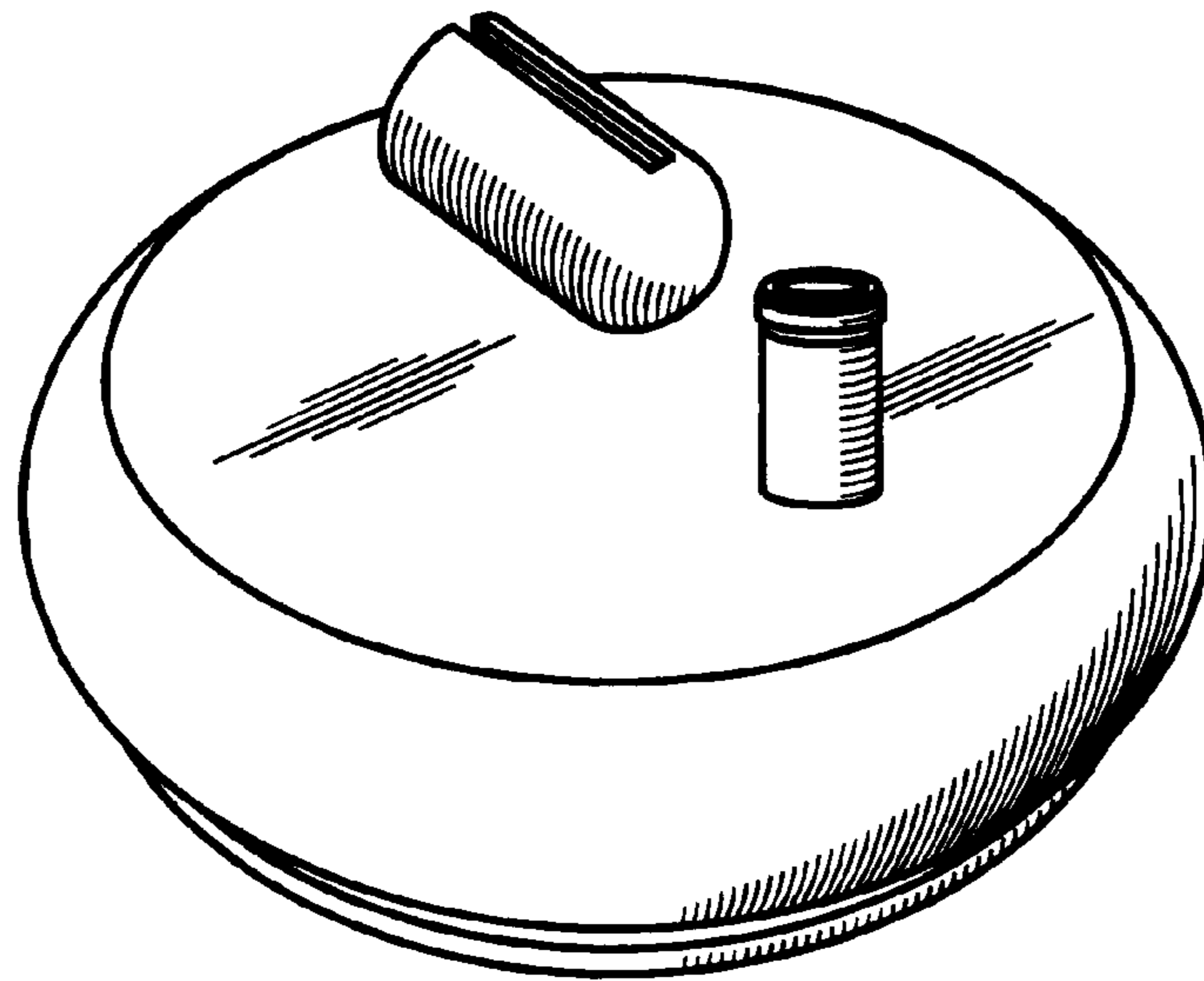


FIG. 3

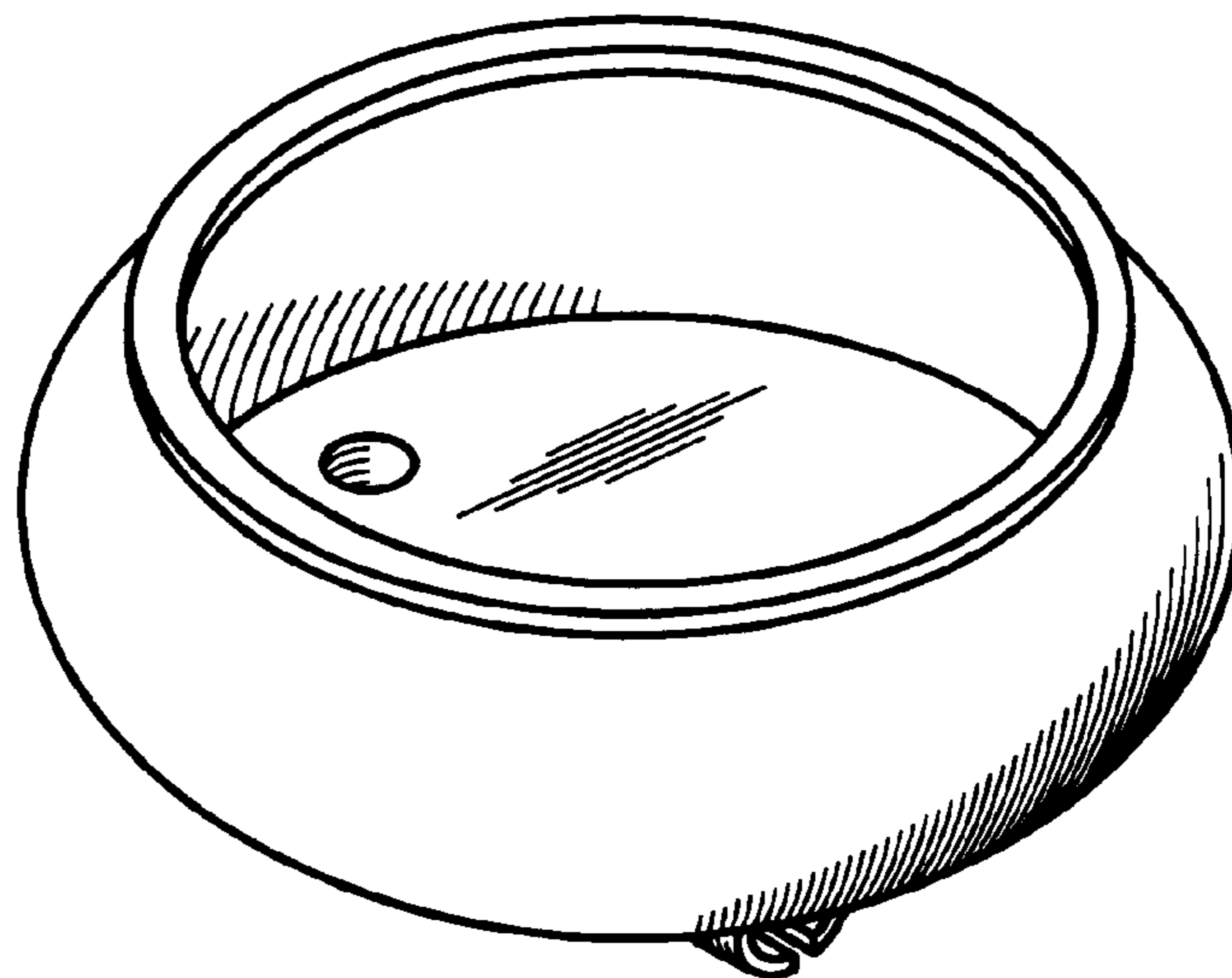


FIG. 4

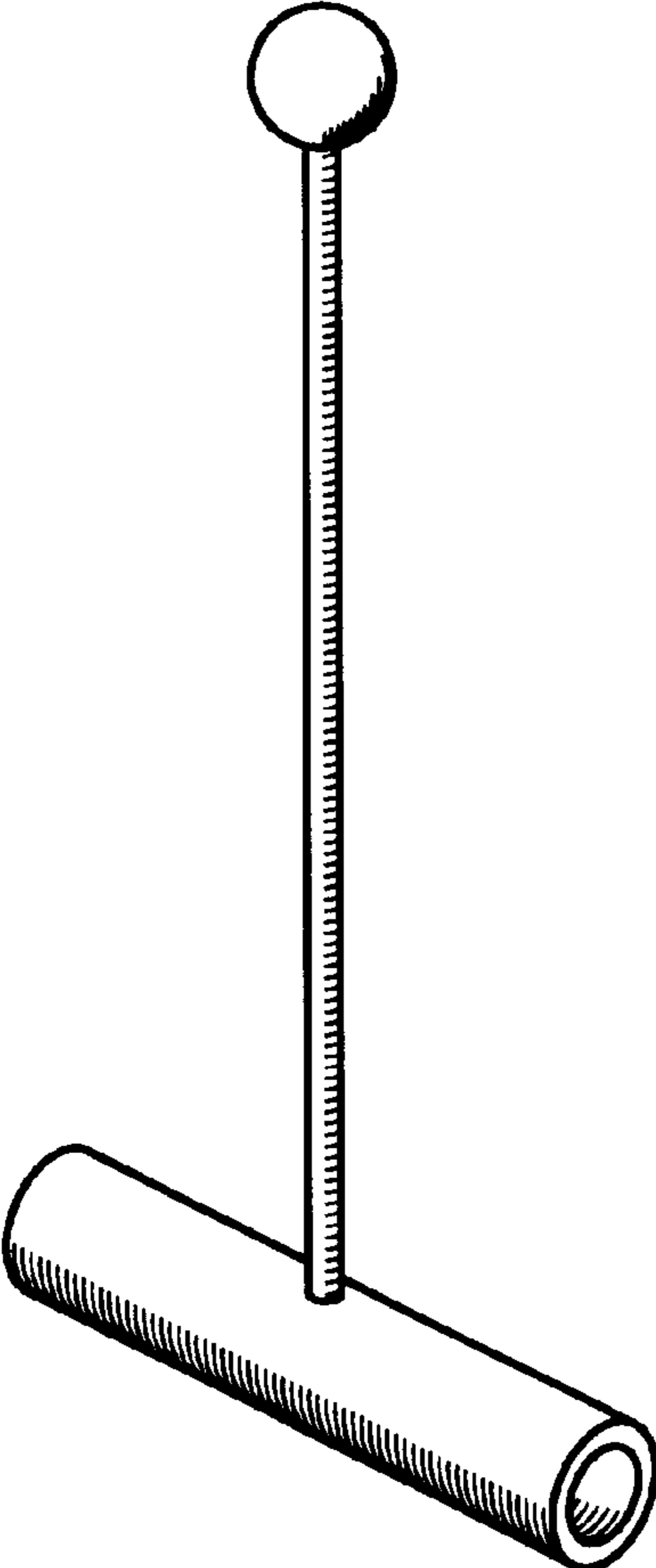


FIG. 5

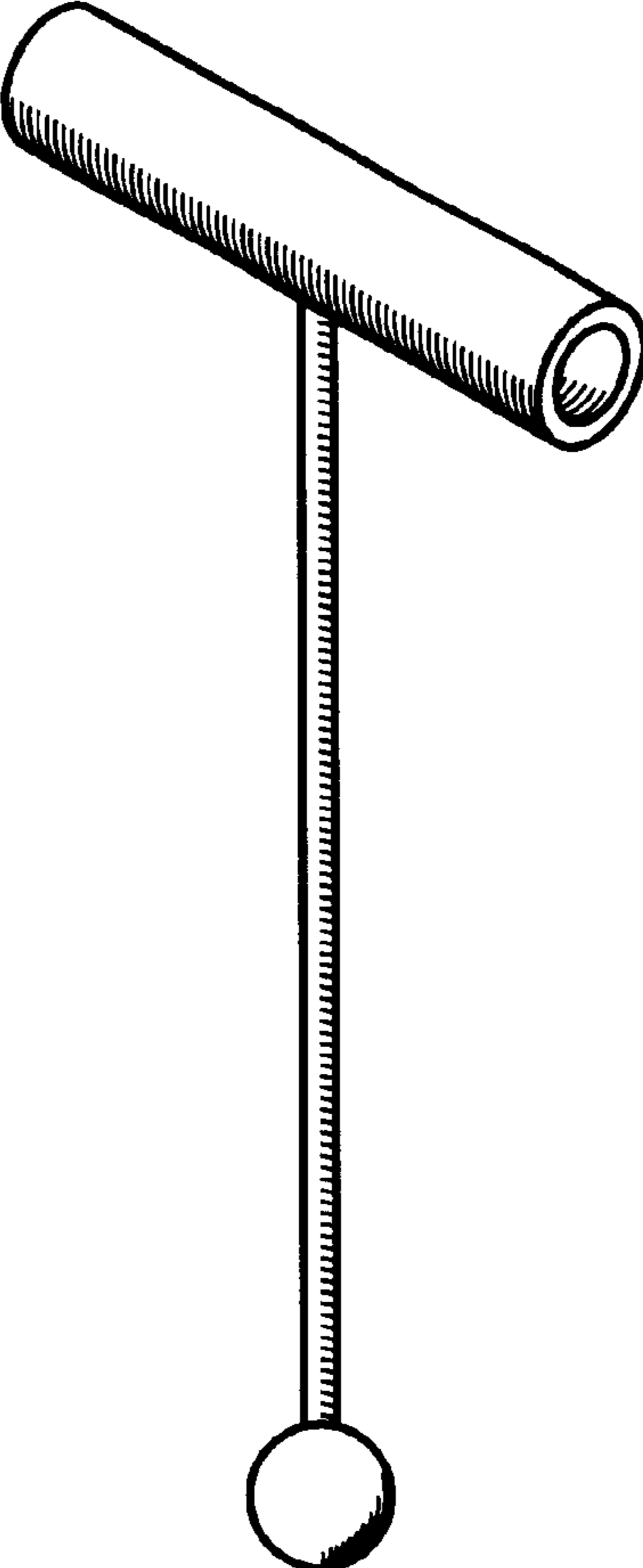


FIG. 6