

US00D502257S

(12) **United States Design Patent**  
**Webster et al.**

(10) **Patent No.:** **US D502,257 S**

(45) **Date of Patent:** **\*\* Feb. 22, 2005**

(54) **AUTOMOBILE AIR FILTER AND FRESHENER**

(76) Inventors: **Kelvin B. Webster**, 6156 S. Honore, Chicago, IL (US) 60636; **David Johnson**, 6156 S. Honore, Chicago, IL (US) 60636

(\*\*) **Term:** **14 Years**

(21) **Appl. No.:** **29/192,992**

(22) **Filed:** **Nov. 3, 2003**

(51) **LOC (7) Cl.** ..... **23-04**

(52) **U.S. Cl.** ..... **D23/365**

(58) **Field of Search** ..... D23/355, 364, D23/365, 366; 55/385.3

(56) **References Cited**

**U.S. PATENT DOCUMENTS**

D221,763 S	*	9/1971	Gilbertson	.....	D23/364
D222,746 S	*	12/1971	Gilbertson	.....	D23/364
4,523,870 A		6/1985	Spector		
4,814,212 A		3/1989	Spector		

5,071,621 A	12/1991	Tokuhiro et al.	
5,334,361 A	8/1994	Rafaelides et al.	
5,853,672 A	12/1998	Lorman et al.	
6,537,338 B2 *	3/2003	Inoue et al.	..... 55/385.3
6,773,477 B2 *	8/2004	Lindsay	..... 55/385.3

\* cited by examiner

*Primary Examiner*—Robin V. Taylor

(74) *Attorney, Agent, or Firm*—Theresa M. Seal

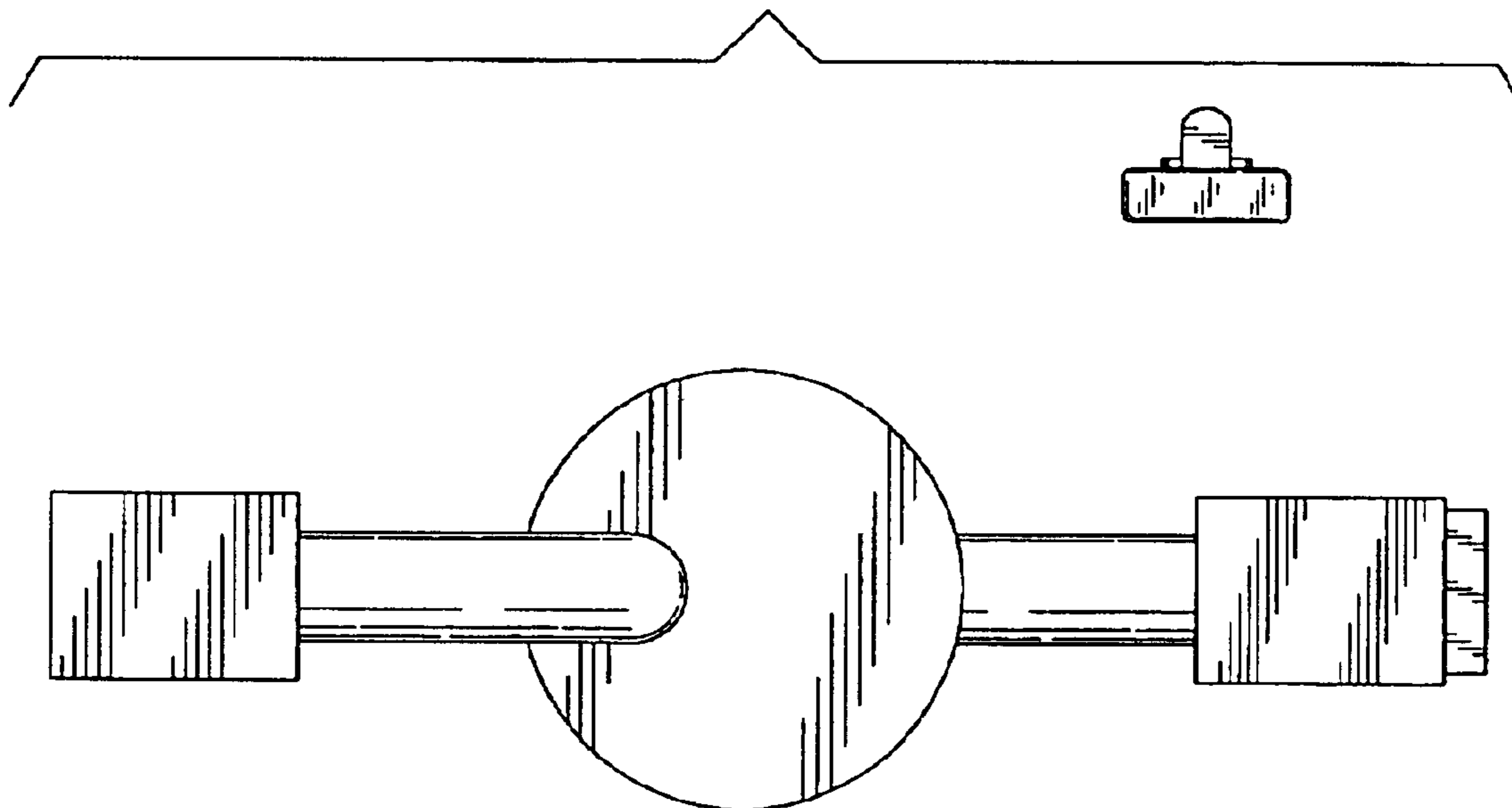
(57) **CLAIM**

The ornamental design for the automobile air filter and freshener, as shown and described.

**DESCRIPTION**

FIG. 1 is a perspective view of the, automobile air filter and freshener in accordance with the invention; FIG. 2 is an elevational front view thereof; FIG. 3 is an elevational rear view thereof; FIG. 4 is an elevational left side view thereof; FIG. 5 is an elevational right side view thereof; FIG. 6 is an elevational top view thereof; and, FIG. 7 is an elevational bottom view thereof.

**1 Claim, 5 Drawing Sheets**



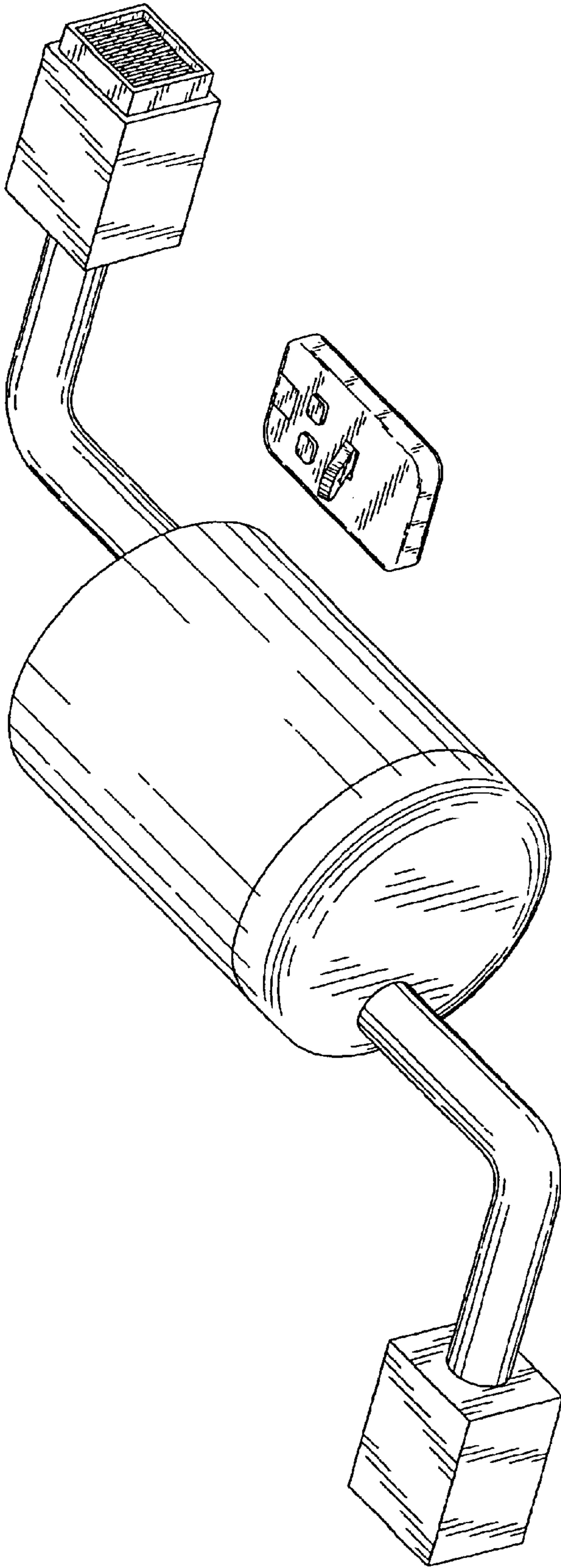
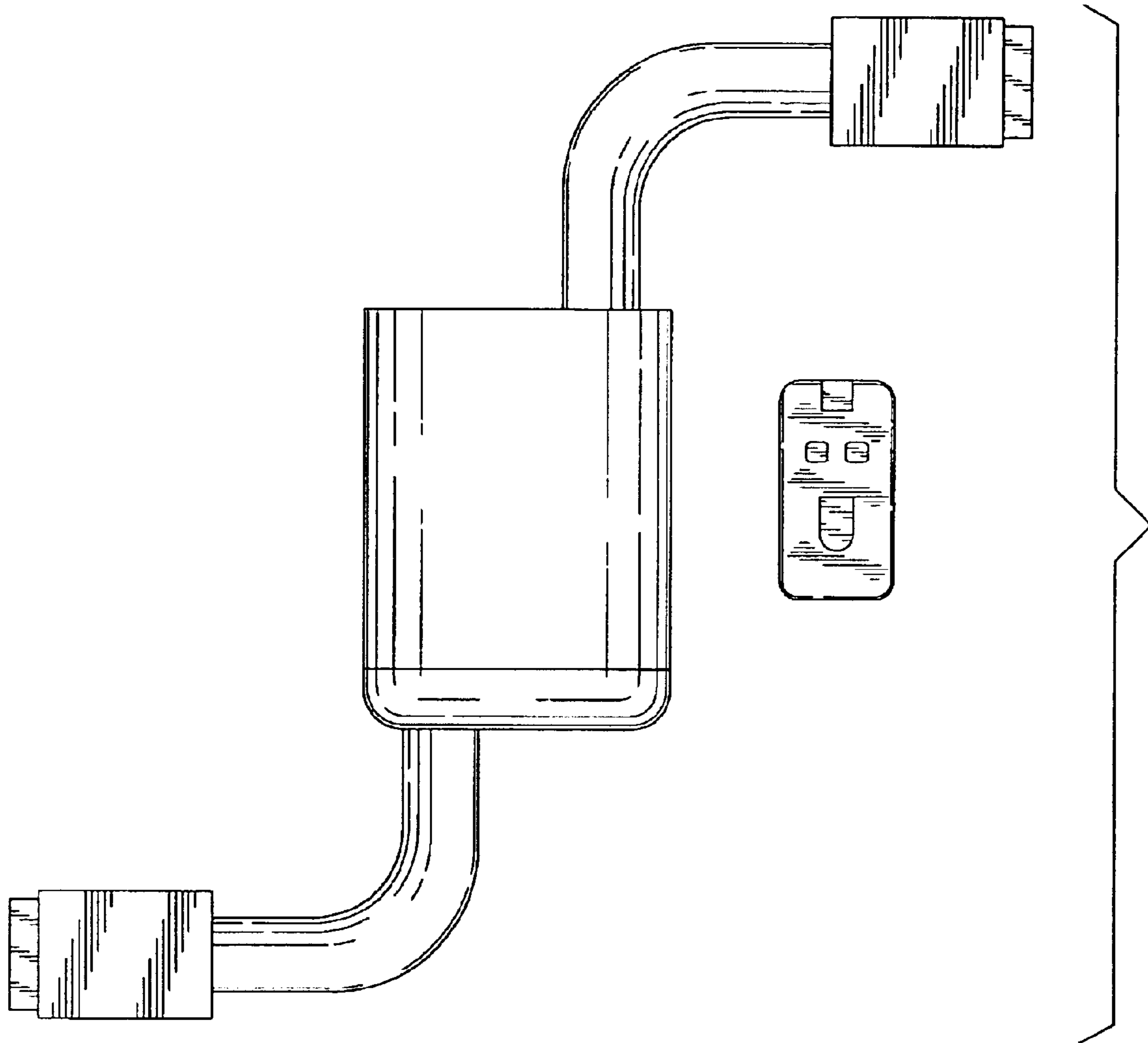
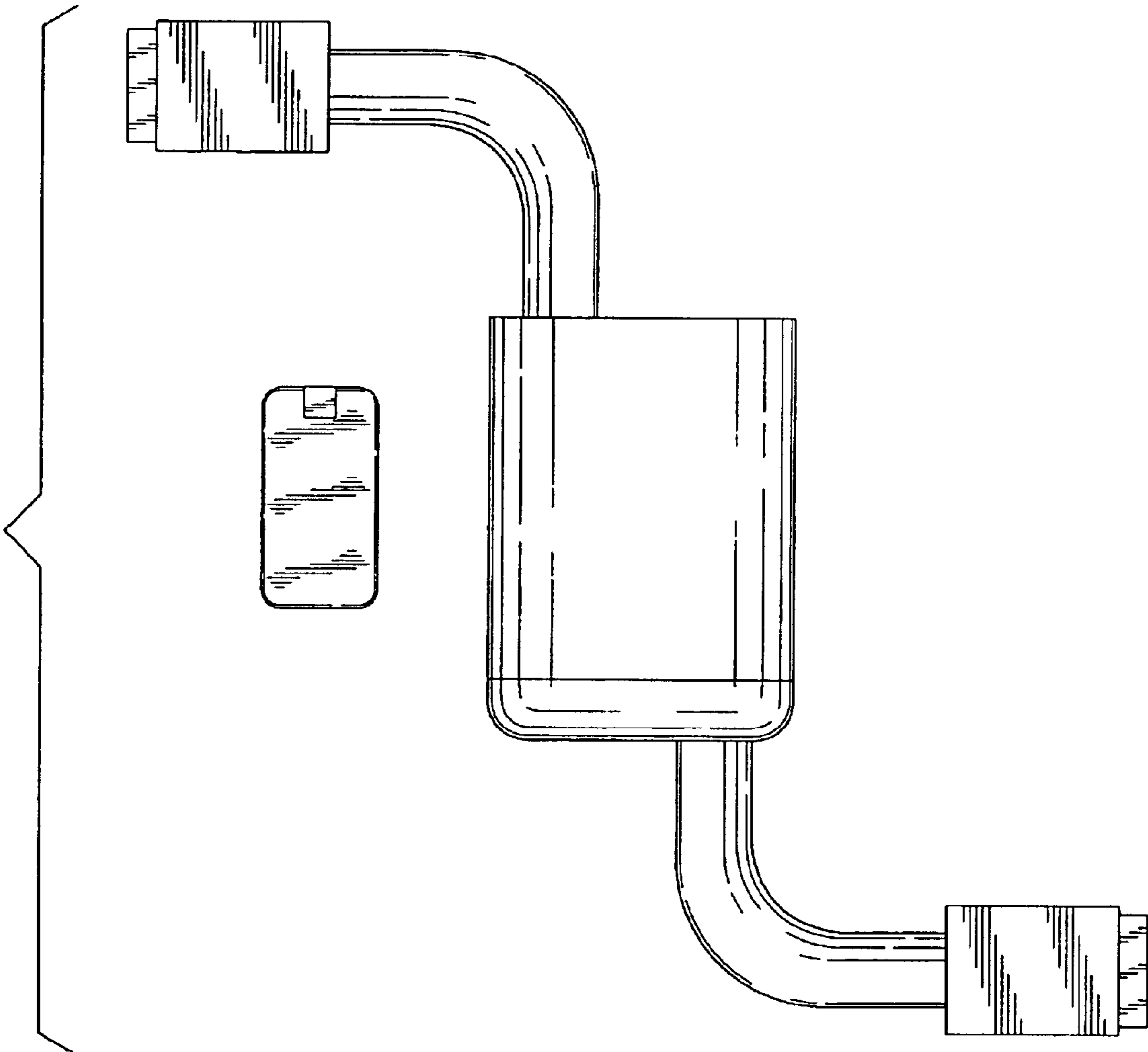


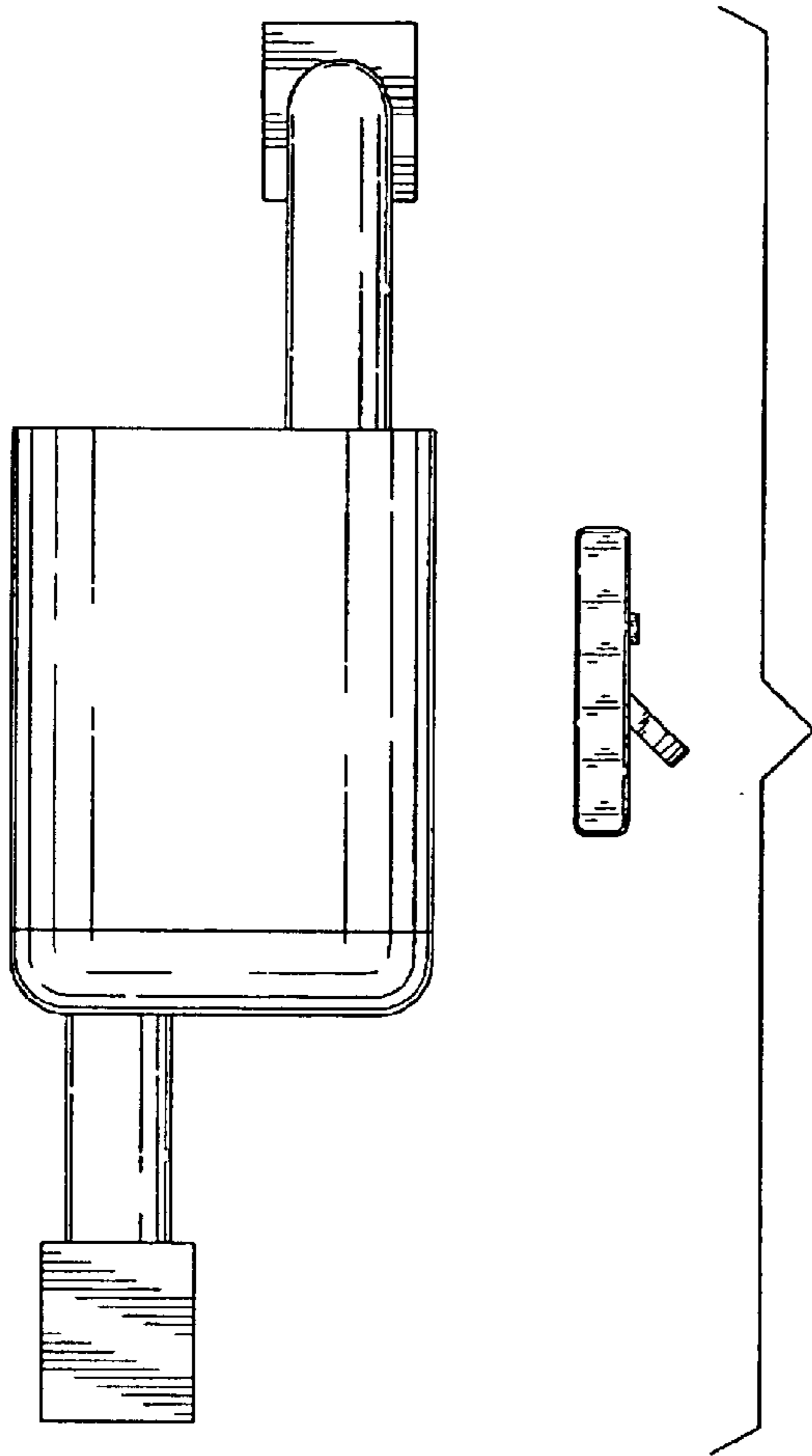
Fig. 1



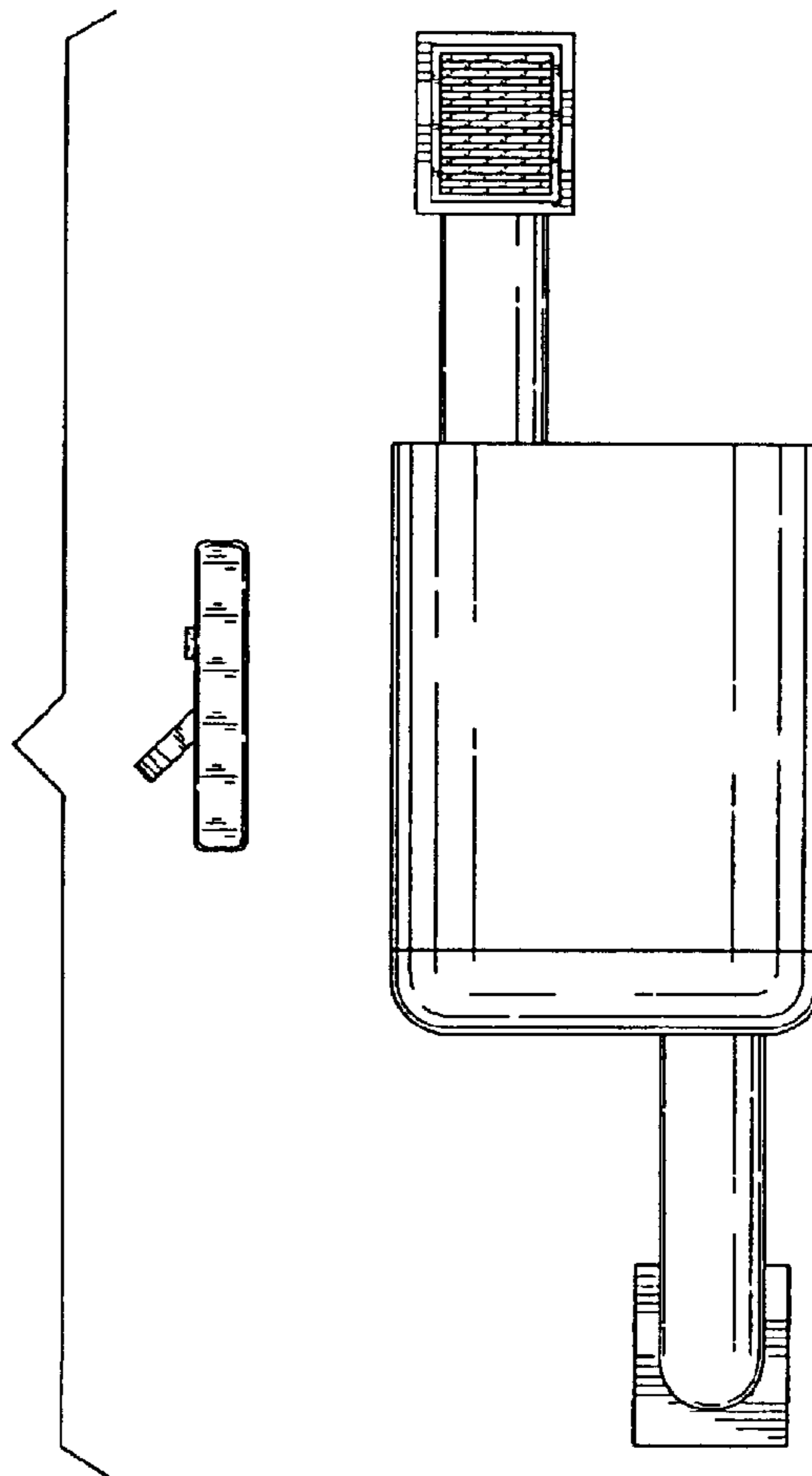
**Fig. 2**



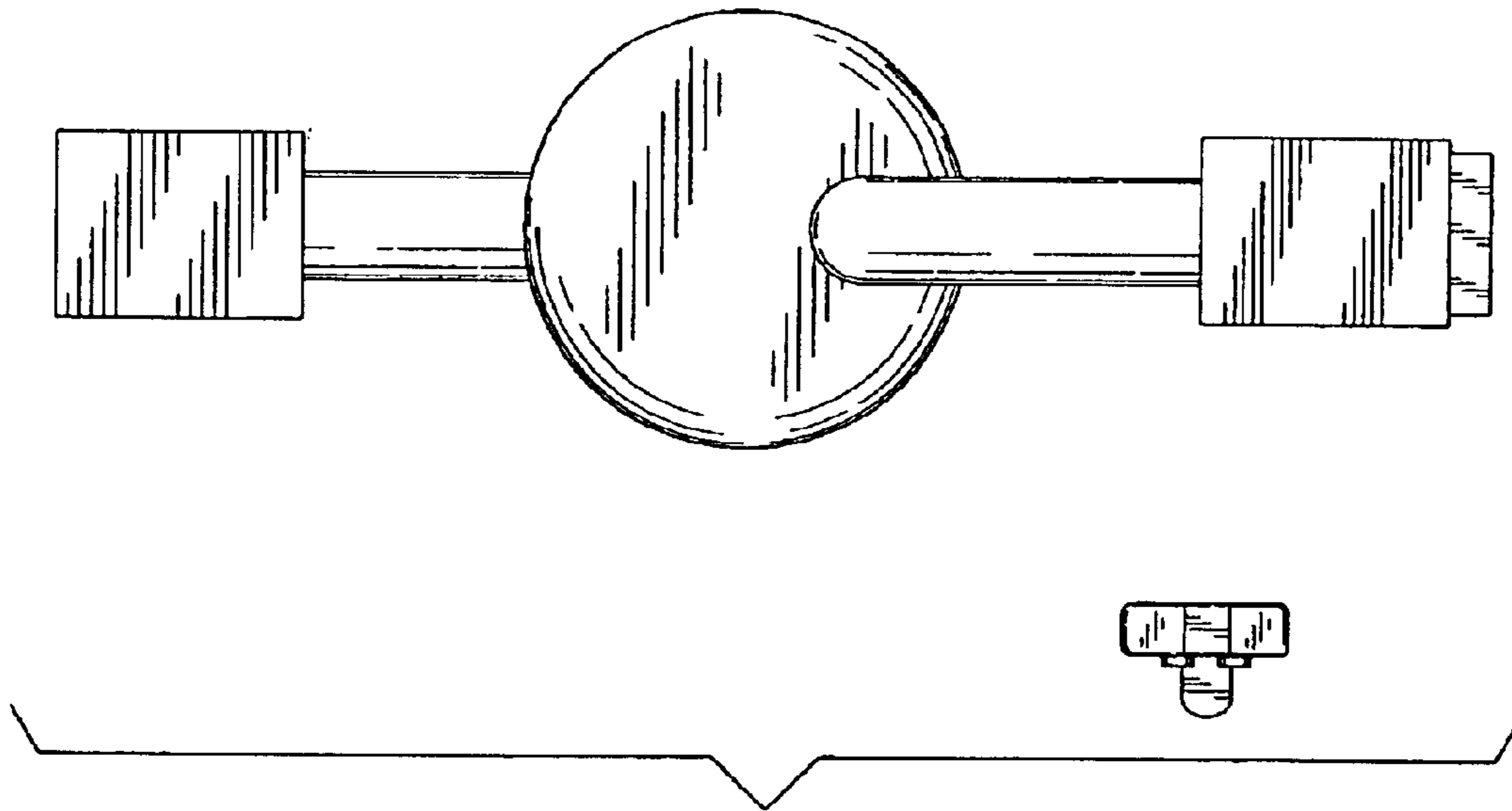
**Fig. 3**



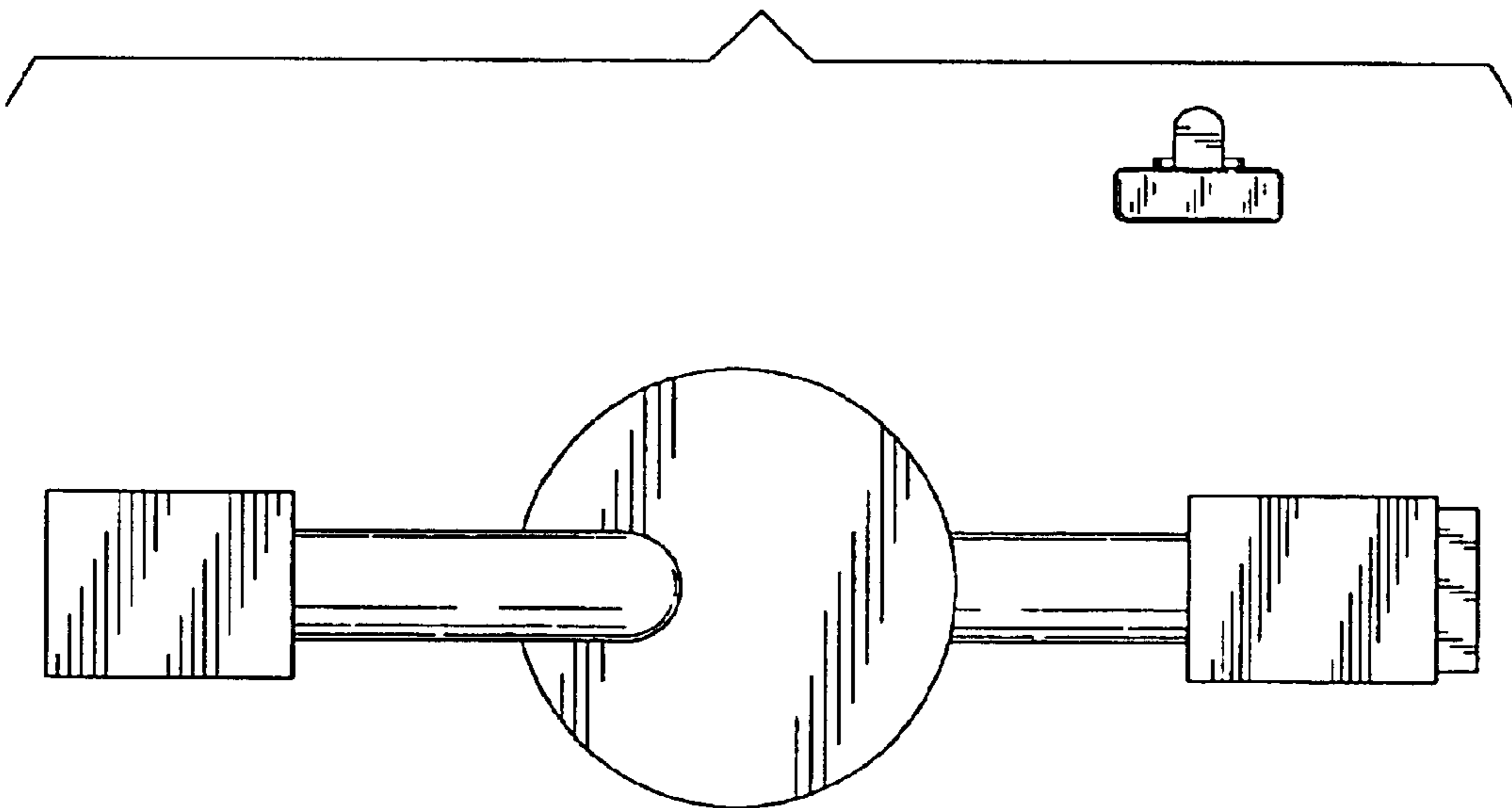
**Fig. 4**



**Fig. 5**



**Fig. 6**



**Fig. 7**