

US00D502255S

(12) **United States Design Patent**
Kim

(10) **Patent No.:** **US D502,255 S**
(45) **Date of Patent:** **** Feb. 22, 2005**

(54) **WALL-INSTALLED TYPE AIR-CONDITIONER**

(75) **Inventor:** **Ik Sang Kim, Seoul (KR)**

(73) **Assignee:** **LG Electronics Inc., Seoul (KR)**

(**) **Term:** **14 Years**

(21) **Appl. No.:** **29/199,512**

(22) **Filed:** **Feb. 18, 2004**

(30) **Foreign Application Priority Data**

Aug. 19, 2003 (KR) 30-2003-0023419

(51) **LOC (7) Cl.** **23-04**

(52) **U.S. Cl.** **D23/351**

(58) **Field of Search** D23/351-354,
D23/333; 62/259.1, 259.4, 262-263, 304,
324.1, DIG. 16; 312/236; 454/201-204

(56) **References Cited**

U.S. PATENT DOCUMENTS

- D243,186 S * 1/1977 Bruner et al. D23/353
- D293,713 S * 1/1988 Morita et al. D23/353
- 4,733,543 A * 3/1988 Blair 62/263
- D321,248 S * 10/1991 Wilgus et al. D23/351

- D454,188 S * 3/2002 Nonaka D23/351
- D455,825 S * 4/2002 Moretti et al. D23/354
- D456,068 S * 4/2002 Oya et al. D23/353
- D465,016 S * 10/2002 Nanjo et al. D23/351
- D487,142 S * 2/2004 Yoo D23/351

* cited by examiner

Primary Examiner—Brian N Vinson

(74) *Attorney, Agent, or Firm*—Birch, Stewart, Kolasch & Birch, LLP

(57) **CLAIM**

The ornamental design for wall-installed type air-conditioner, as shown and described.

DESCRIPTION

FIG. 1 is a perspective view of the wall-installed type air-conditioner;
 FIG. 2 is a front view thereof;
 FIG. 3 is a rear view thereof;
 FIG. 4 is a left side view thereof;
 FIG. 5 is a right side view thereof;
 FIG. 6 is a top plan view thereof;
 FIG. 7 is a bottom plan view thereof; and,
 FIG. 8 is a left side view showing the state in which a front part is slightly opened when used.

1 Claim, 5 Drawing Sheets

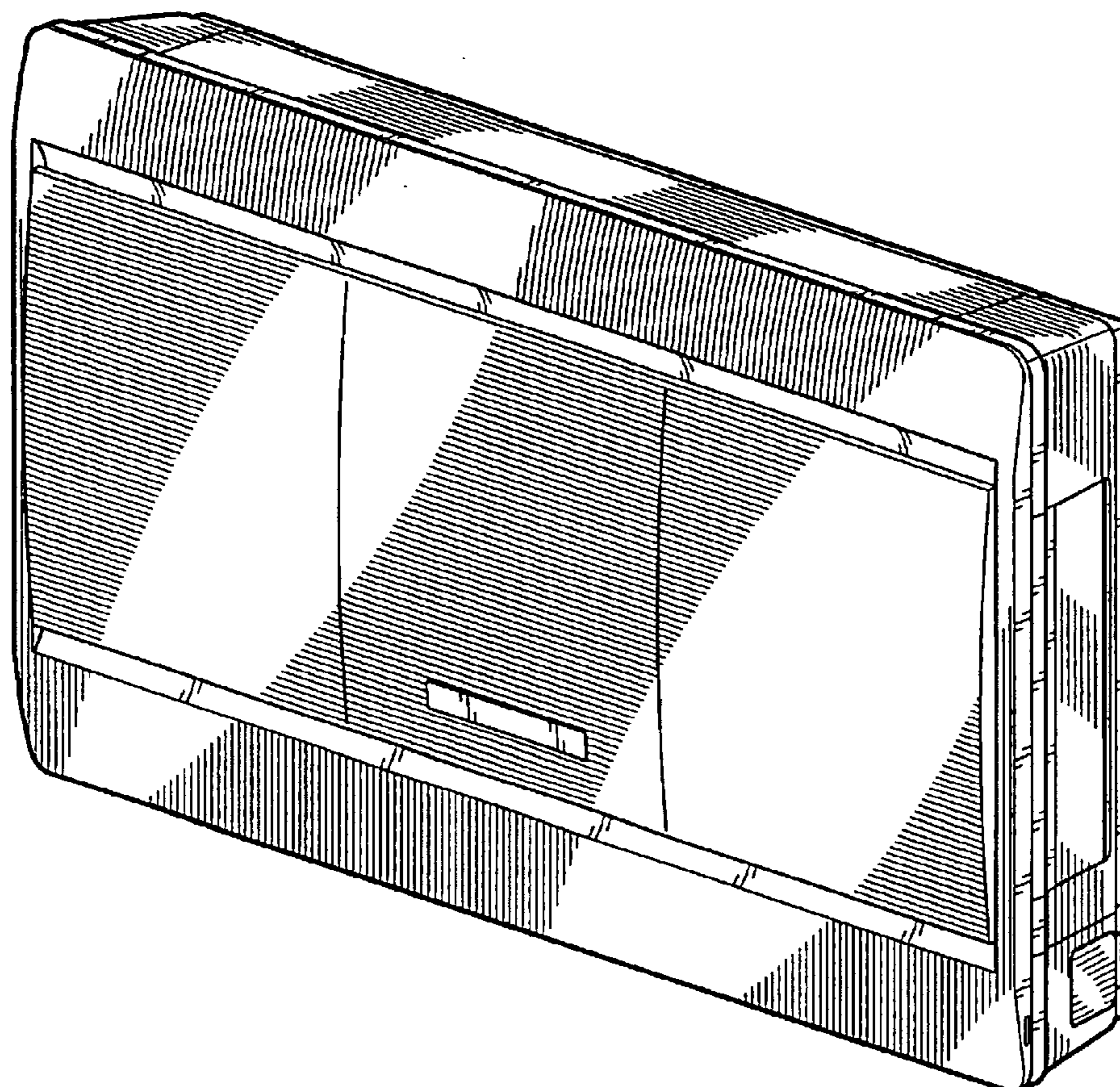


FIG.1

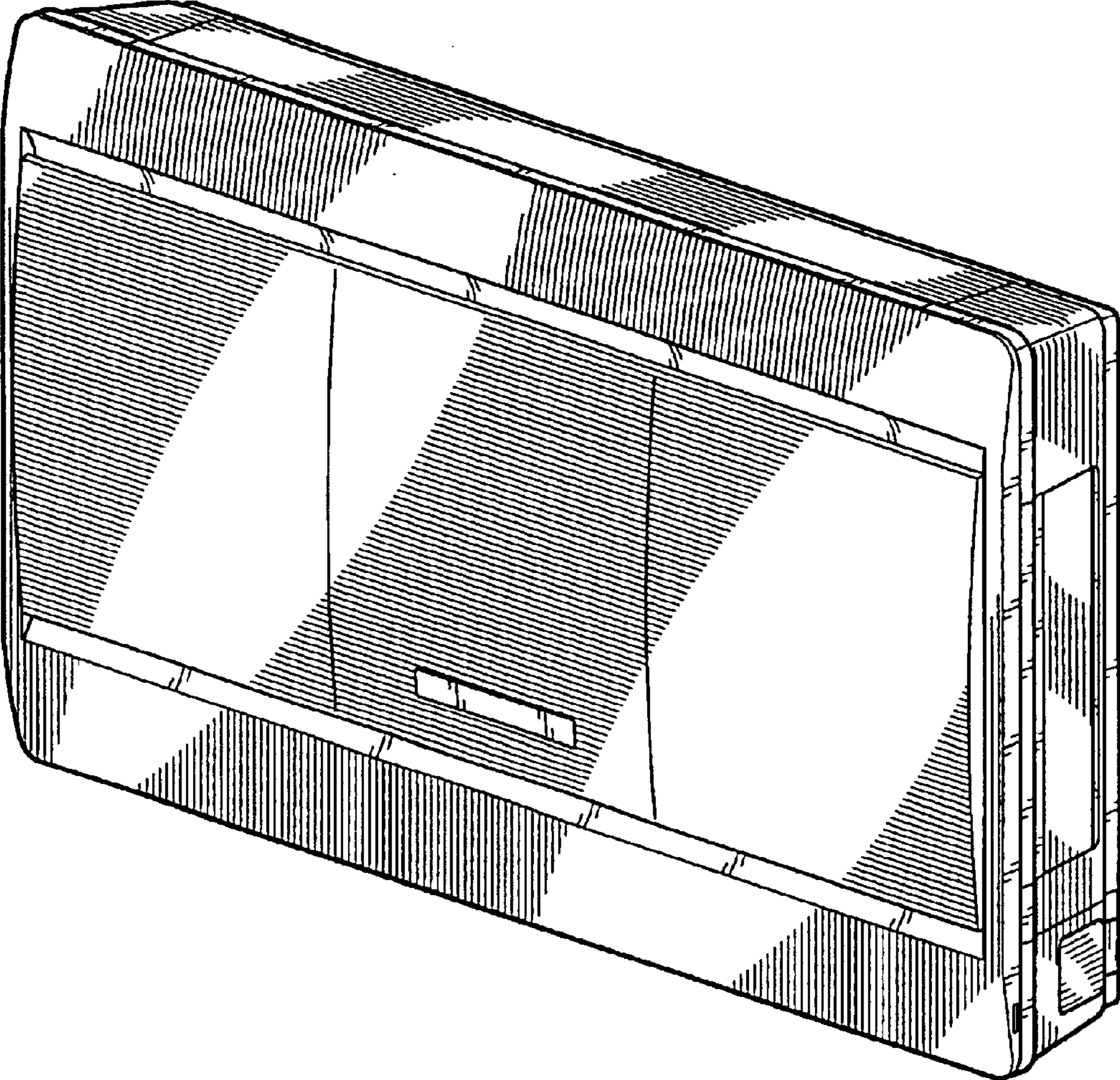


FIG. 2

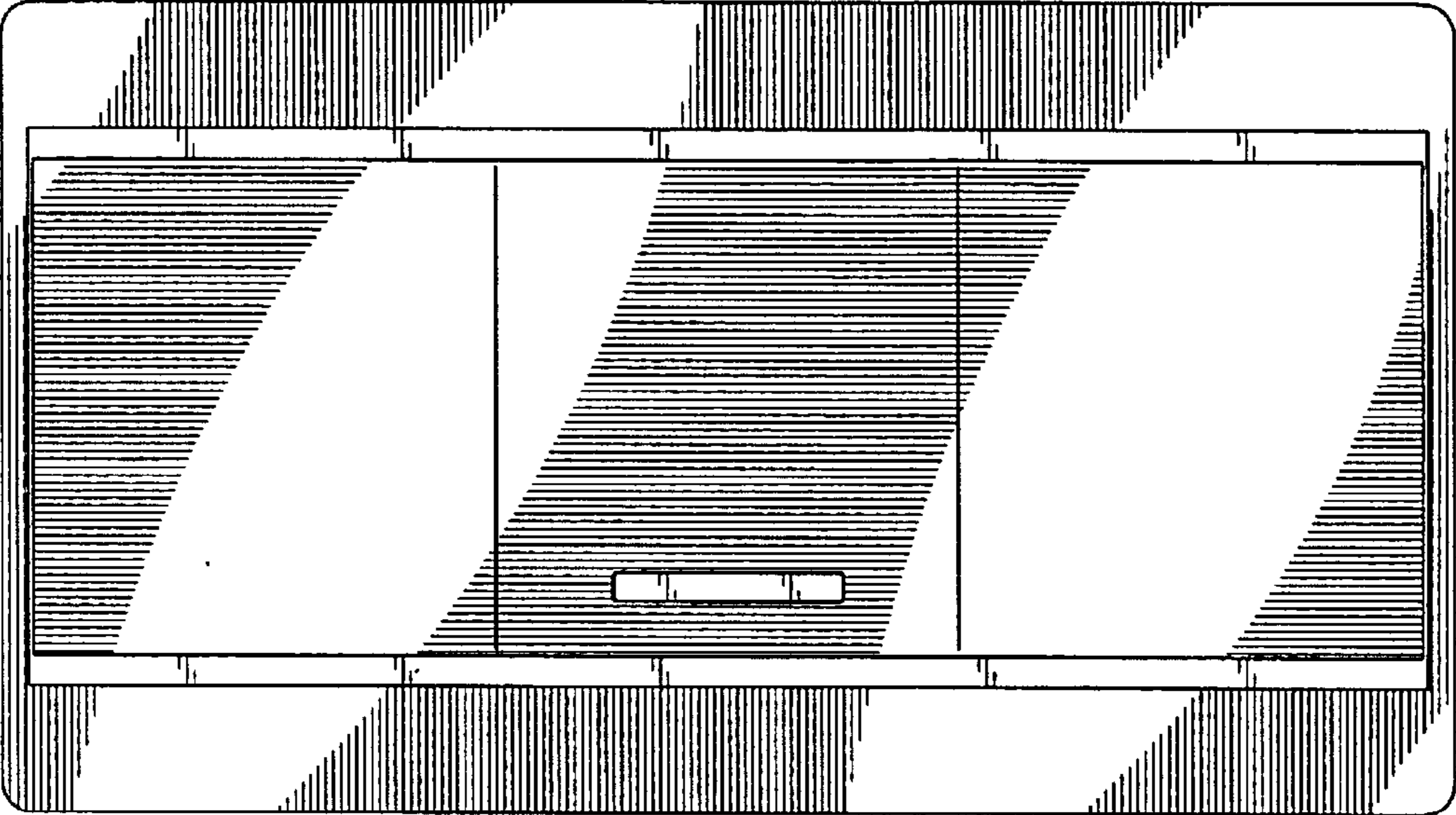


FIG. 3

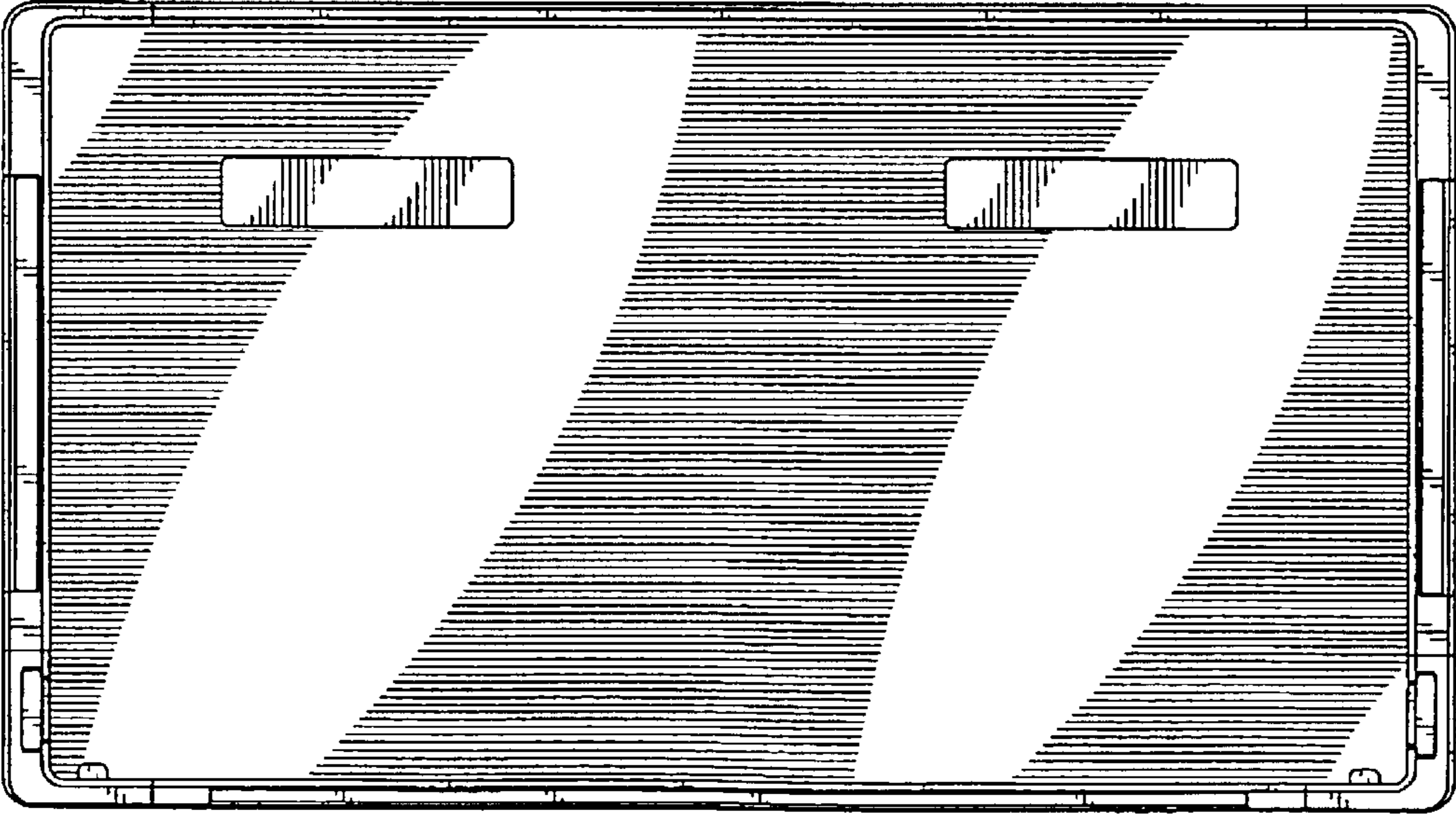


FIG. 4

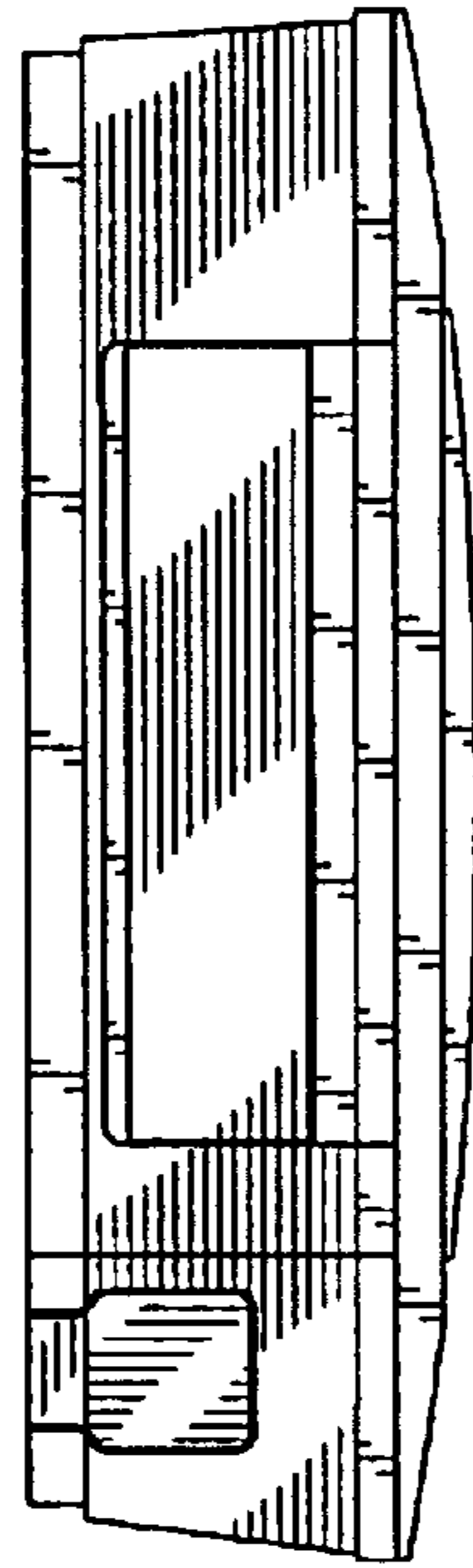


FIG. 5

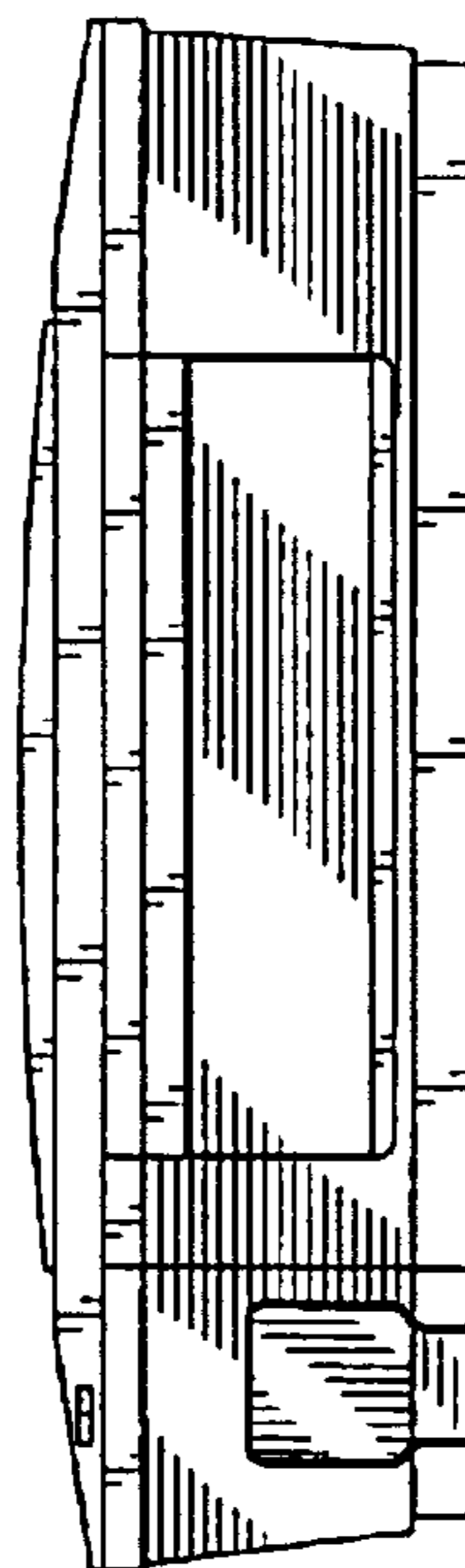


FIG. 6

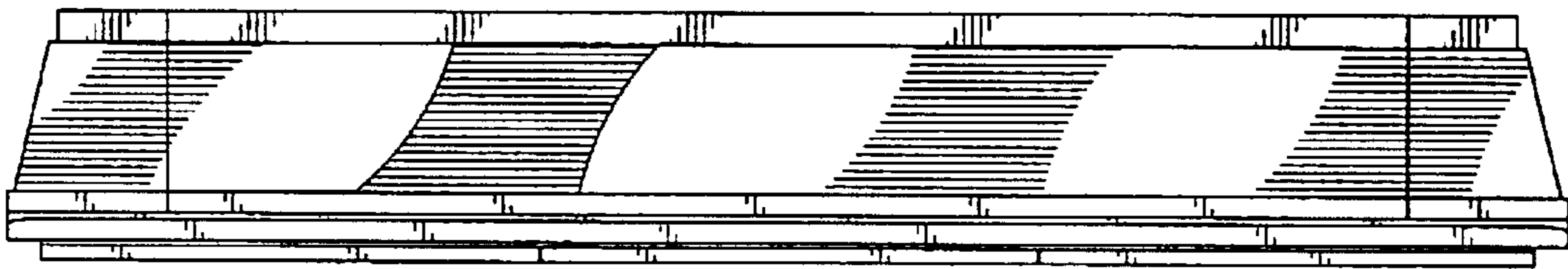


FIG. 7

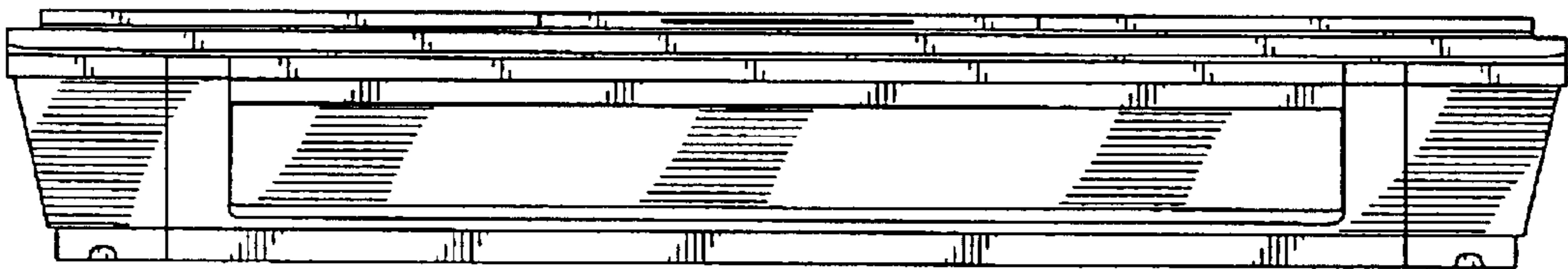


FIG. 8

