



US00D502245S

(12) **United States Design Patent**
Fell et al.

(10) **Patent No.:** **US D502,245 S**
(45) **Date of Patent:** **** Feb. 22, 2005**

(54) **SPECIAL ILLUMINATING UNIVERSAL MOUNT FOR ALL LONG GUNS AND OTHER TYPE WEAPON APPLICATIONS**

(76) Inventors: **Oscar M. Fell**, 64 Yacht Haven Dr., Cocoa beach, FL (US) 32931; **Michael Jon Squillante**, 1353 Unter Av NW, Palm Bay, FL (US) 32907

(**) Term: **14 Years**

(21) Appl. No.: **29/196,961**

(22) Filed: **Jan. 9, 2004**

(51) **LOC (7) Cl.** **22-01**

(52) **U.S. Cl.** **D22/110**

(58) **Field of Search** D22/100, 108, D22/109, 110, 199; D8/349, 363, 373, 394; 42/124, 146; 248/65, 124.2, 201, 205.1, 220.21, 316.1, 689

(56) **References Cited**

U.S. PATENT DOCUMENTS

2,546,242 A	3/1951	Stinson	240/6.41
2,657,303 A	10/1953	Dickens	240/6.41
3,222,511 A	12/1965	Breding	240/6.41
3,513,581 A	5/1970	Salter	42/1
3,739,167 A	6/1973	Avery	240/2
D263,732 S	* 4/1982	Bechtel	D22/110
D274,540 S	* 7/1984	Bechtel	D22/110
4,627,183 A	12/1986	Struckman	42/1.01
D289,852 S	5/1987	Tu vesson	D8/373
4,758,933 A	7/1988	Winberg et al.	362/110
4,777,754 A	10/1988	Reynolds, Jr.	42/103
4,856,218 A	8/1989	Reynolds, Jr.	42/103
D308,731 S	6/1990	Maglica et al.	D26/138
D309,255 S	7/1990	Karow, Jr.	D8/395

5,040,322 A	8/1991	Iturrey, Jr.	42/103
5,167,446 A	12/1992	Haroutunian	362/110
D335,718 S	5/1993	Maglica et al.	D26/138
D357,723 S	4/1995	Eddleman	D22/110
D401,993 S	* 12/1998	Kay	D22/109
D405,495 S	* 2/1999	Berry	D22/108
D415,239 S	10/1999	Fell	D22/110
D436,516 S	* 1/2001	Lambacher et al.	D8/349
D481,932 S	* 11/2003	Bess	D8/394
D483,650 S	* 12/2003	Squillante et al.	D8/349
2004/0035991 A1	* 2/2004	Wooten et al.	248/229.1

* cited by examiner

Primary Examiner—Louis S. Zarfaz
Assistant Examiner—Melanie Levy

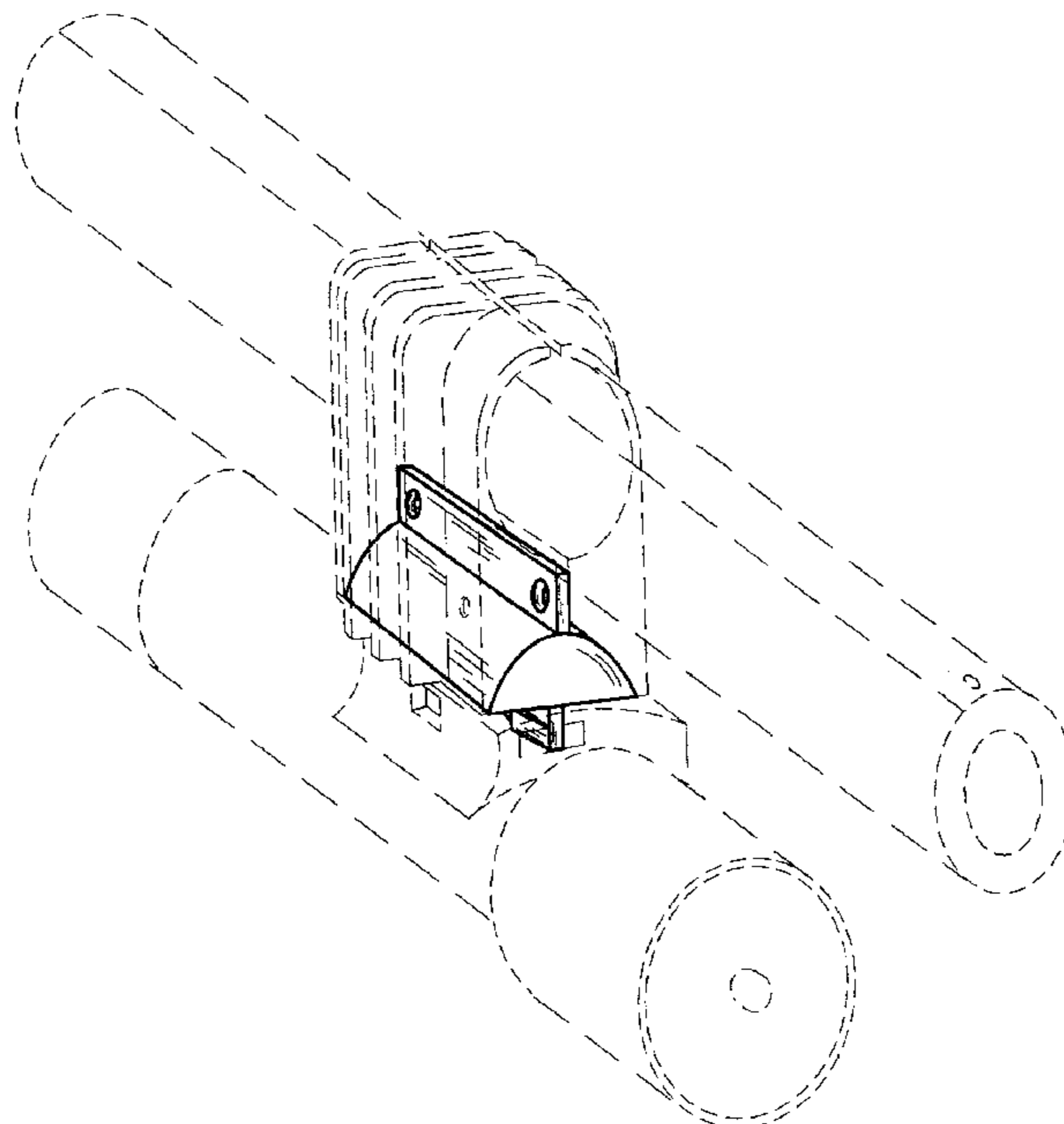
(57) **CLAIM**

The ornamental design for a special illuminating universal mount for all long guns and other type weapon applications, as shown and described.

DESCRIPTION

FIG. 1 is a front elevation view thereof; the rear view being a mirror image;
FIG. 2 is a right elevation view thereof, the left side being a mirror image;
FIG. 3 is a bottom elevation view thereof;
FIG. 4 is a top elevation view thereof;
FIG. 5 is a top, front, left side perspective view thereof; and,
FIG. 6 is a top, front, left side perspective view of a portion of the a Shotgun Barrel, a Universal Flashlight Mount and a Flashlight upon which has been installed the embodiment of the invention.
The Shotgun, Universal Mount and Flashlight are shown in broken lines in FIG. 6 for illustrative purposes only.

1 Claim, 3 Drawing Sheets



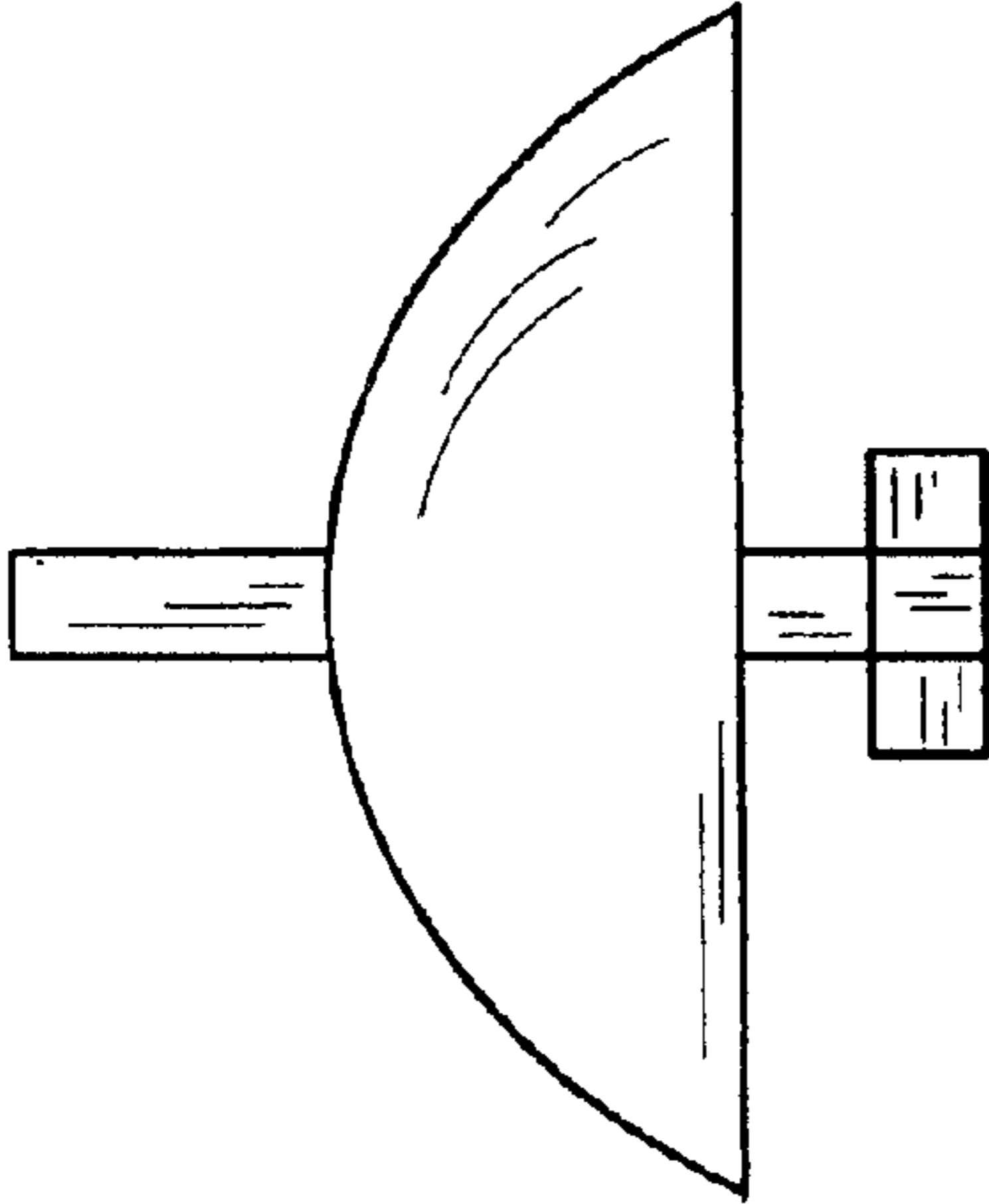


Fig 1

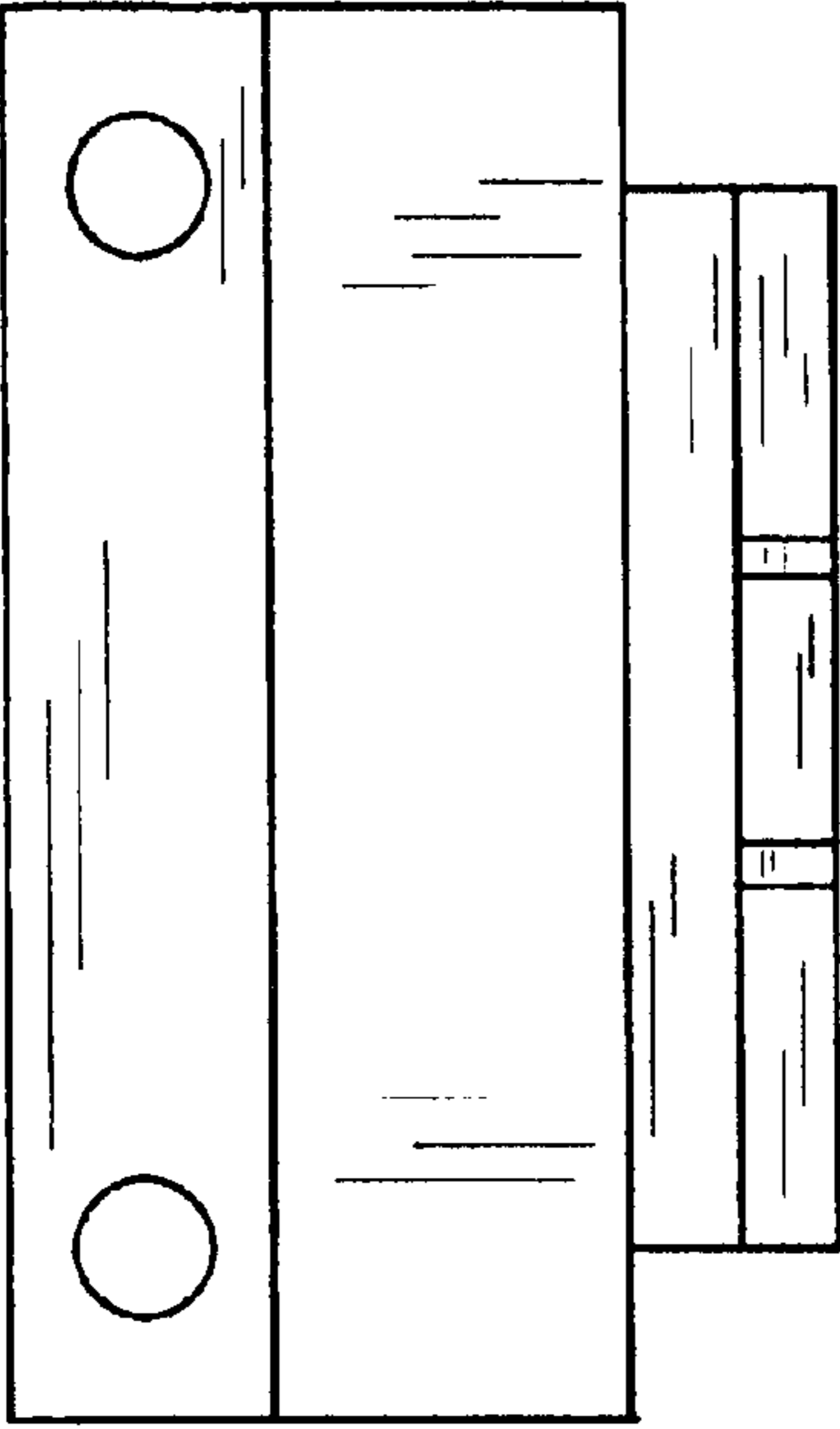


Fig 2

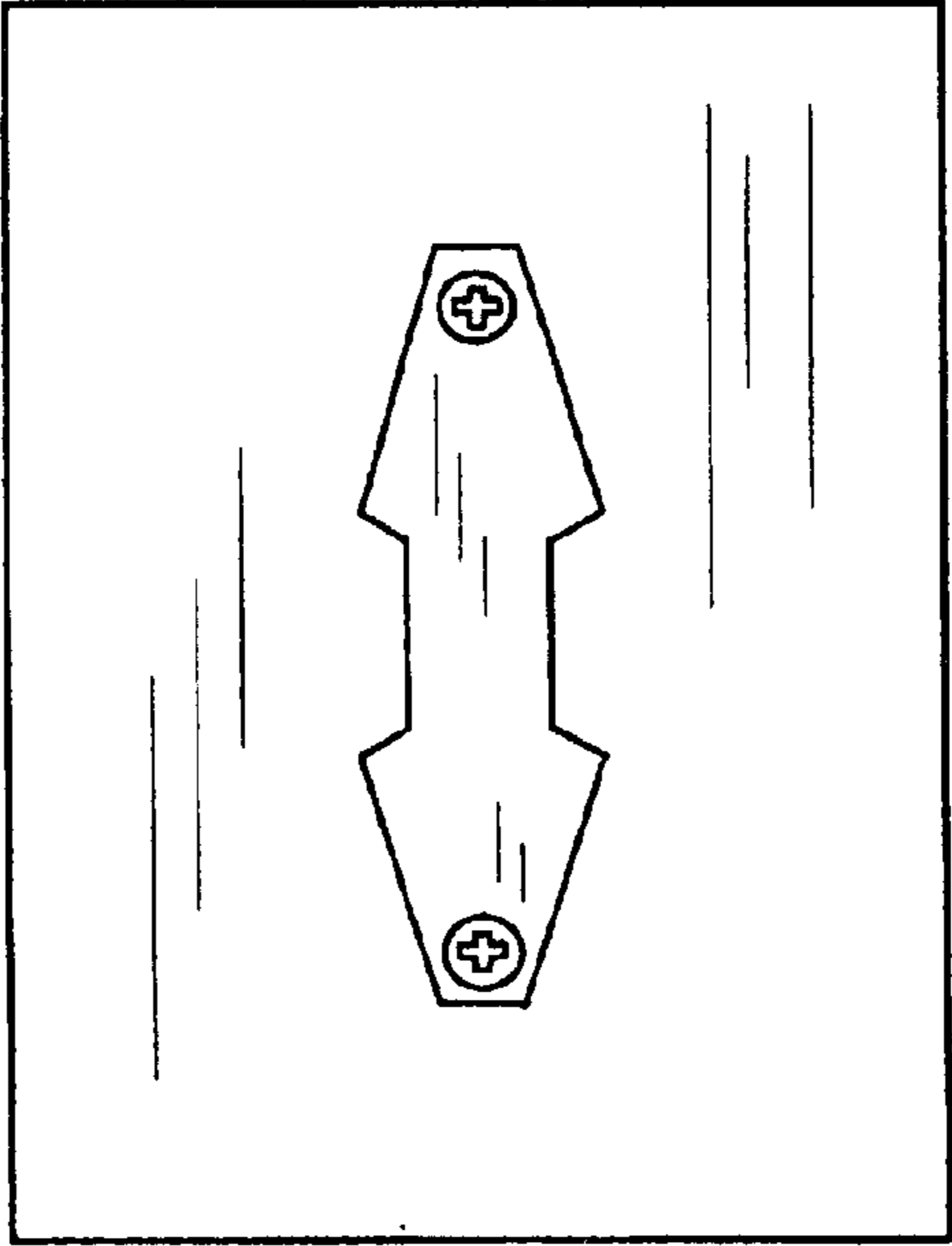


Fig 3

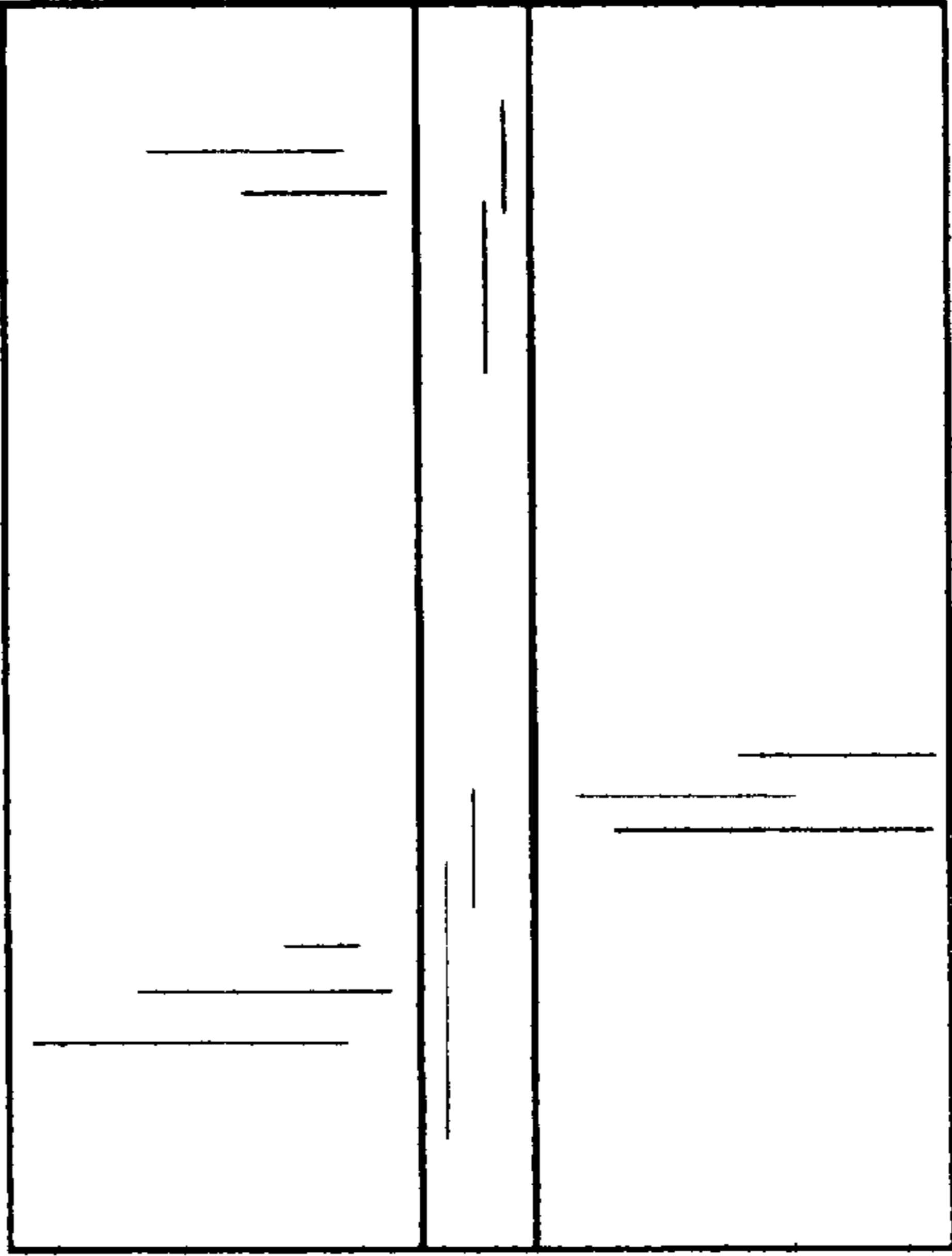


Fig 4

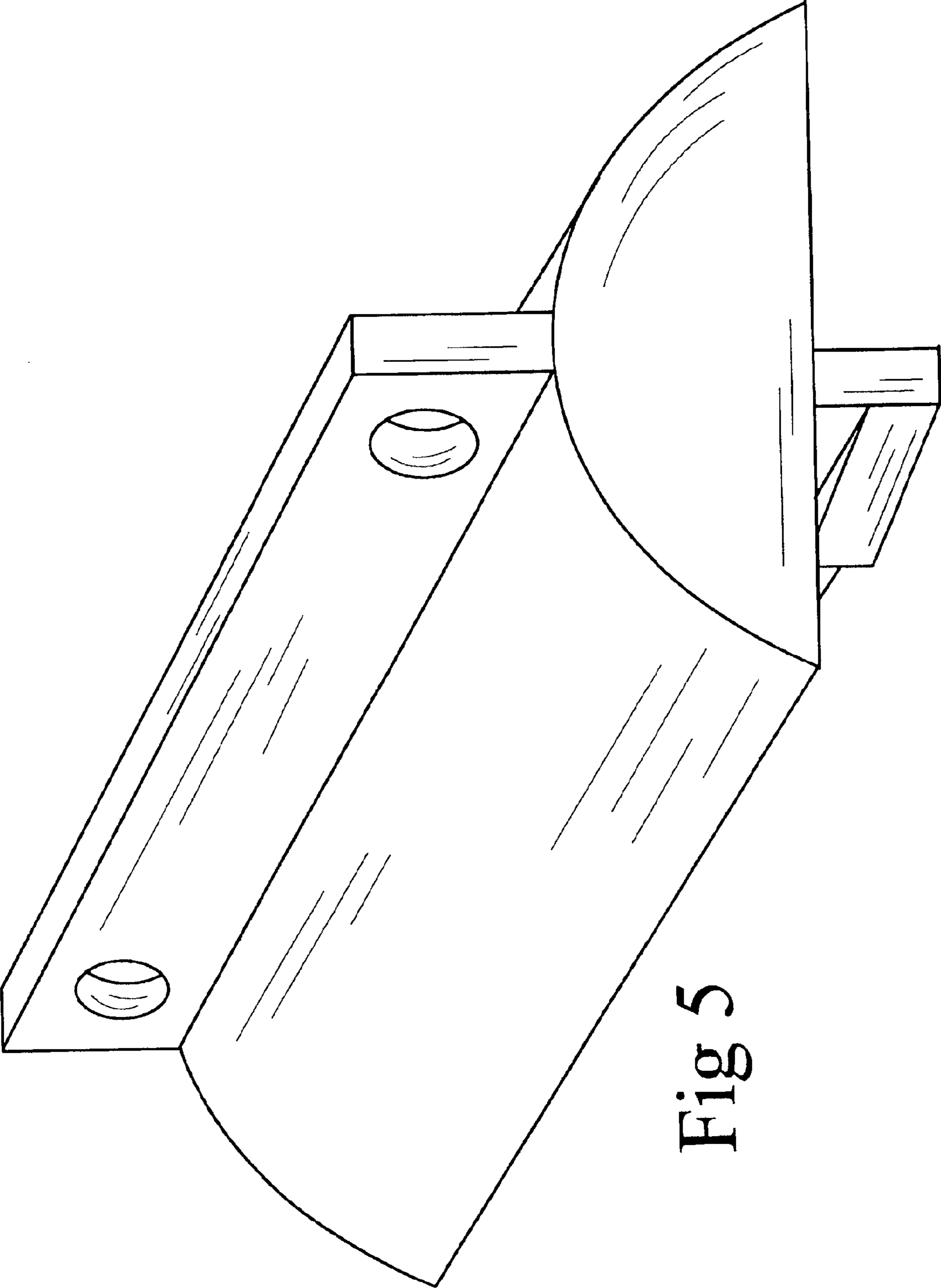


Fig 5

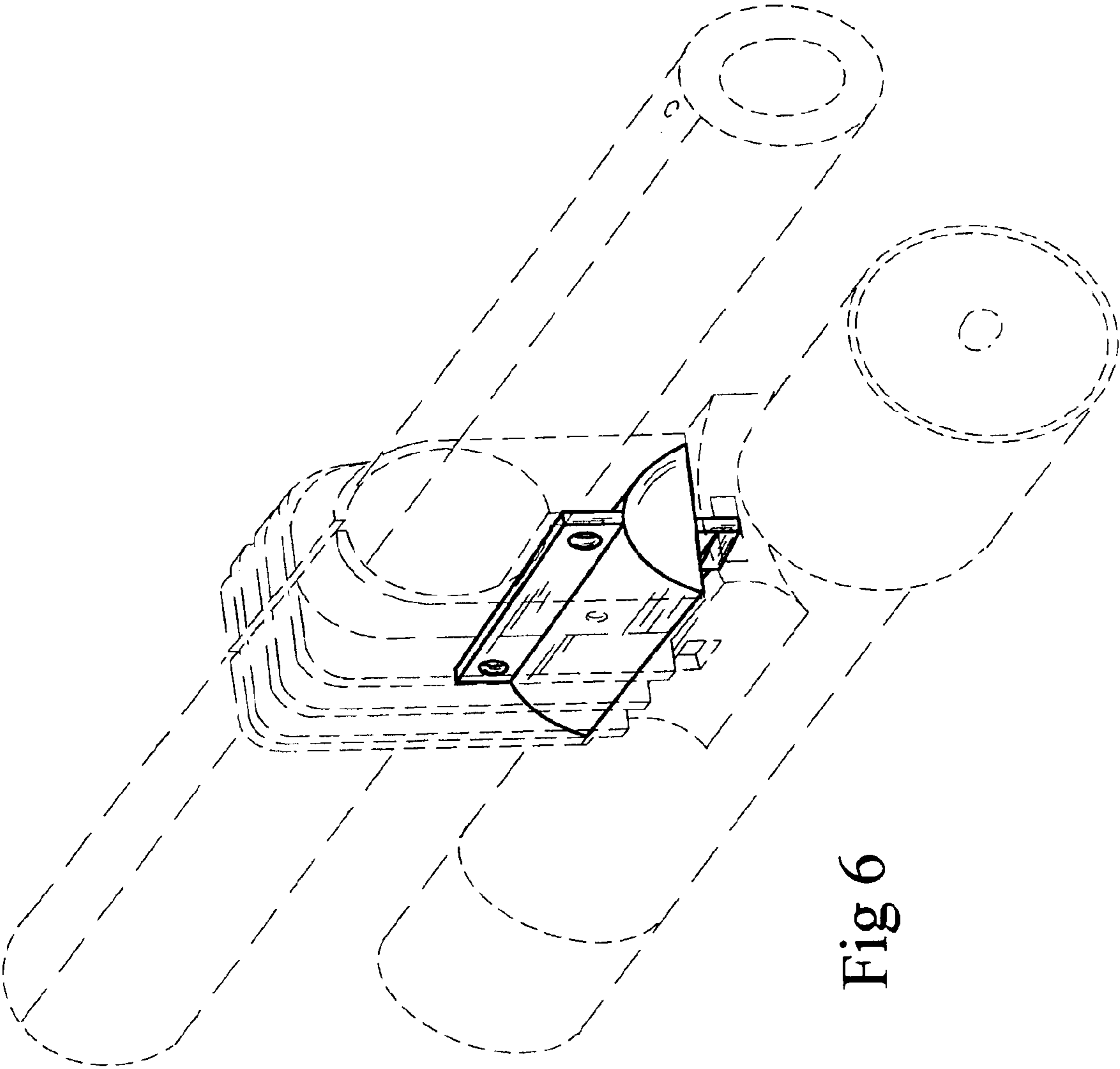


Fig 6