

US00D502244S

(12) **United States Design Patent**
Oz

(10) **Patent No.:** **US D502,244 S**

(45) **Date of Patent:** **** Feb. 22, 2005**

(54) **ACCESSORY RAIL FOR THE HAND GUARD OF A GUN**

(75) **Inventor:** **David Oz**, London (GB)

(73) **Assignee:** **TDI Arms Systems Ltd.**, Petah Tikva (IL)

(**) **Term:** **14 Years**

(21) **Appl. No.:** **29/181,103**

(22) **Filed:** **May 5, 2003**

(30) **Foreign Application Priority Data**

Nov. 3, 2002 (IL) 37156

(51) **LOC (7) Cl.** **22-01**

(52) **U.S. Cl.** **D22/109**

(58) **Field of Search** D22/100, 108, D22/109, 110, 119; 42/85, 90, 105, 114, 124, 125, 143, 71.01, 72, 75.01, 75.02; 89/8, 14.1

(56) **References Cited**

U.S. PATENT DOCUMENTS

5,046,277 A * 9/1991 Sanders 42/124

5,134,798 A * 8/1992 Lee 42/114
D343,440 S * 1/1994 Rubin et al. D22/110
5,375,361 A * 12/1994 Rustick 42/125
5,941,489 A * 8/1999 Fanelli et al. 42/114
D448,062 S * 9/2001 Criddle et al. D22/110

* cited by examiner

Primary Examiner—Louis S. Zarfaz
Assistant Examiner—Monica A. Weingart
(74) *Attorney, Agent, or Firm*—Robert L. Stone

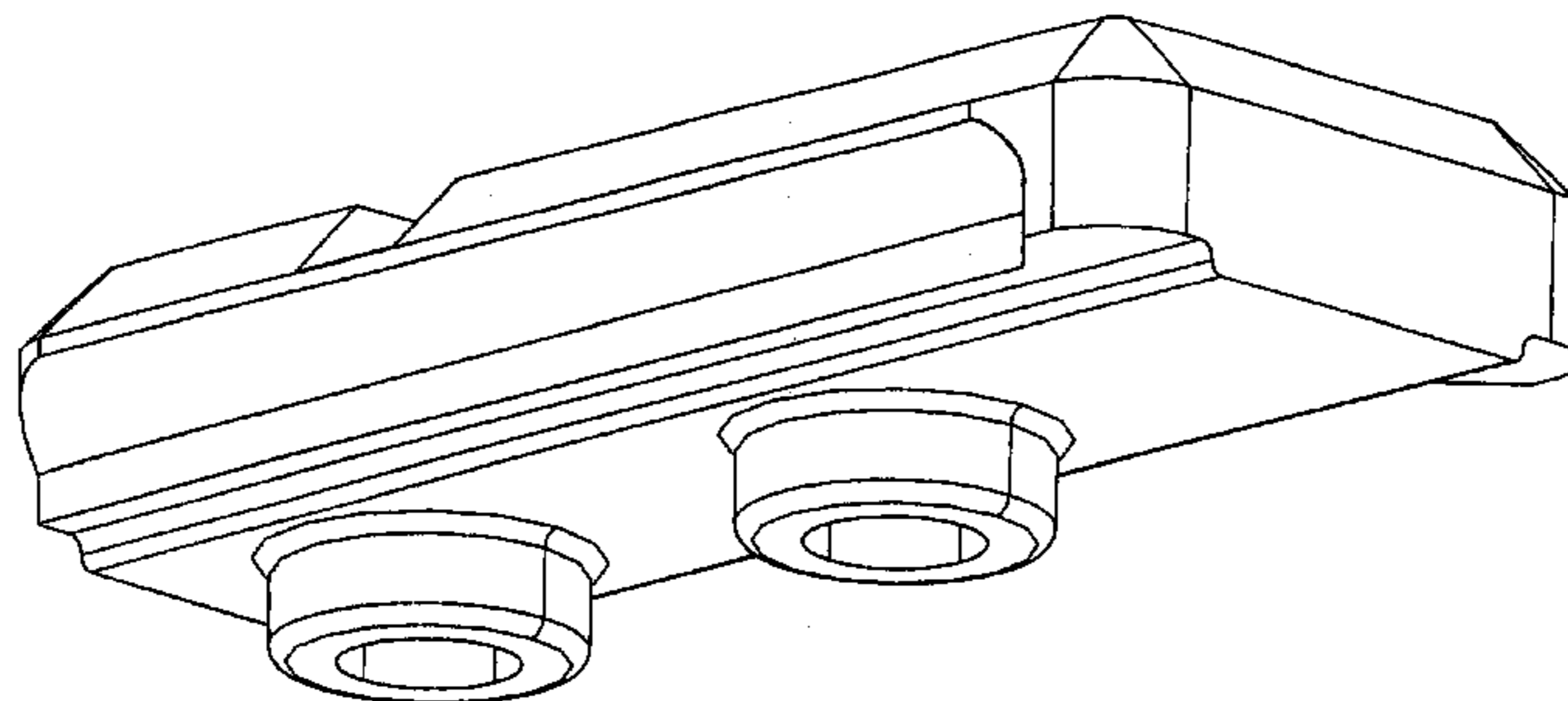
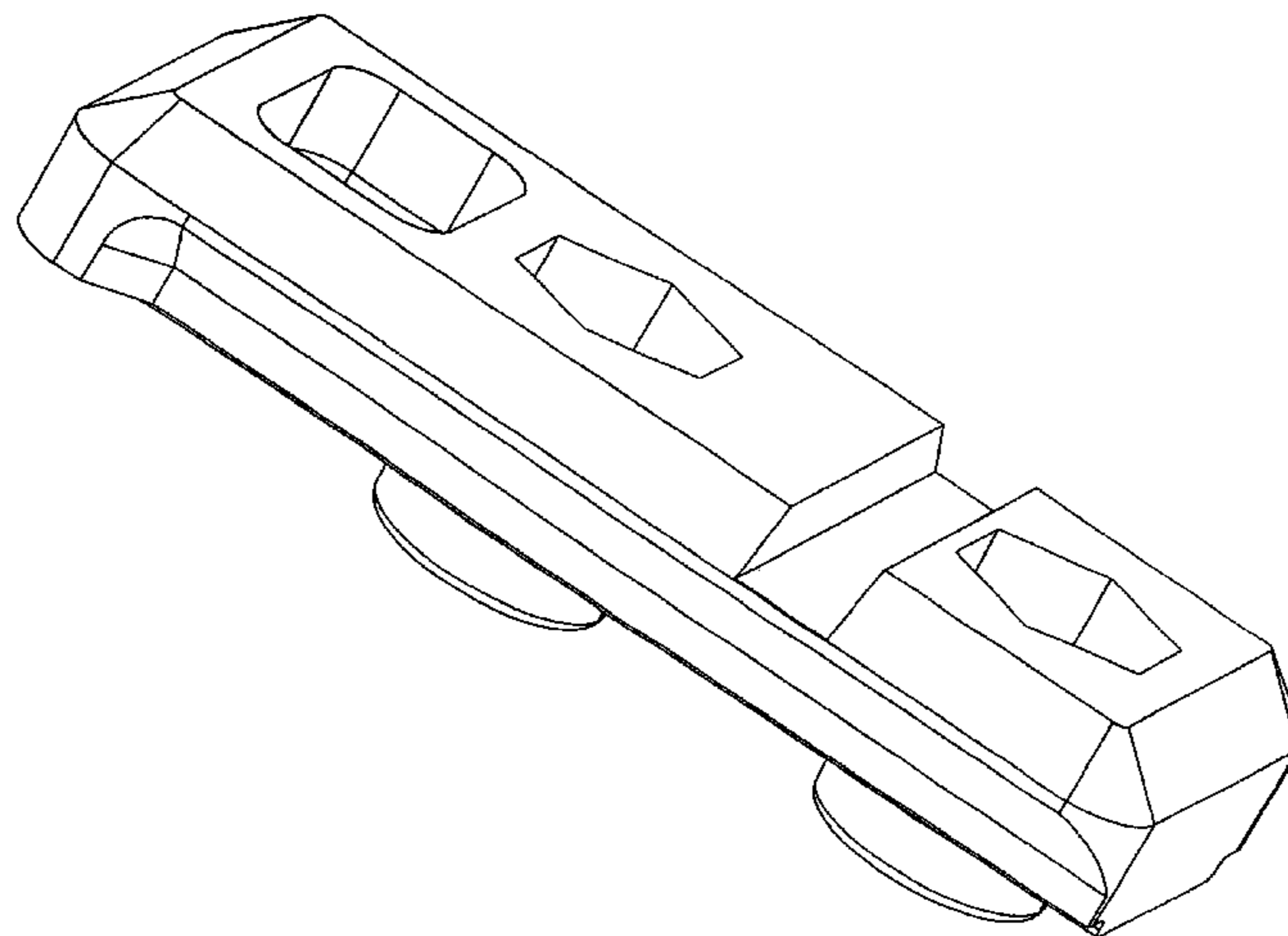
(57) **CLAIM**

The ornamental design for an accessory rail for the hand guard of a gun, as shown and described.

DESCRIPTION

FIG. 1 is a perspective view of the accessory rail for the hand guard of a gun shown on a reduced scale.
FIG. 2 is a perspective view from below the accessory rail.
FIG. 3 is a top of view of the accessory rail.
FIG. 4 is a bottom view of the accessory rail; and,
FIG. 5 is a side view of the accessory rail.

1 Claim, 5 Drawing Sheets



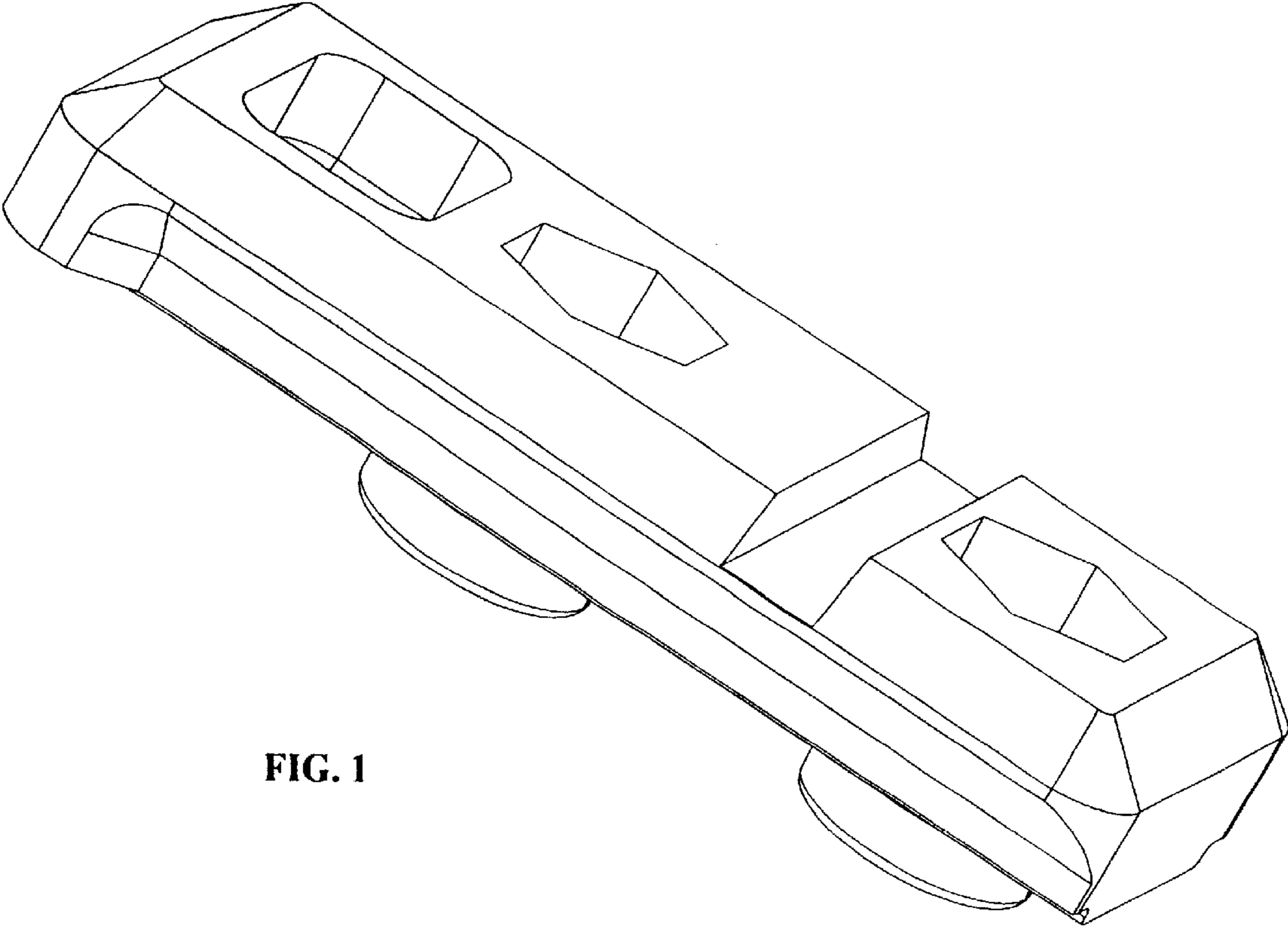


FIG. 1

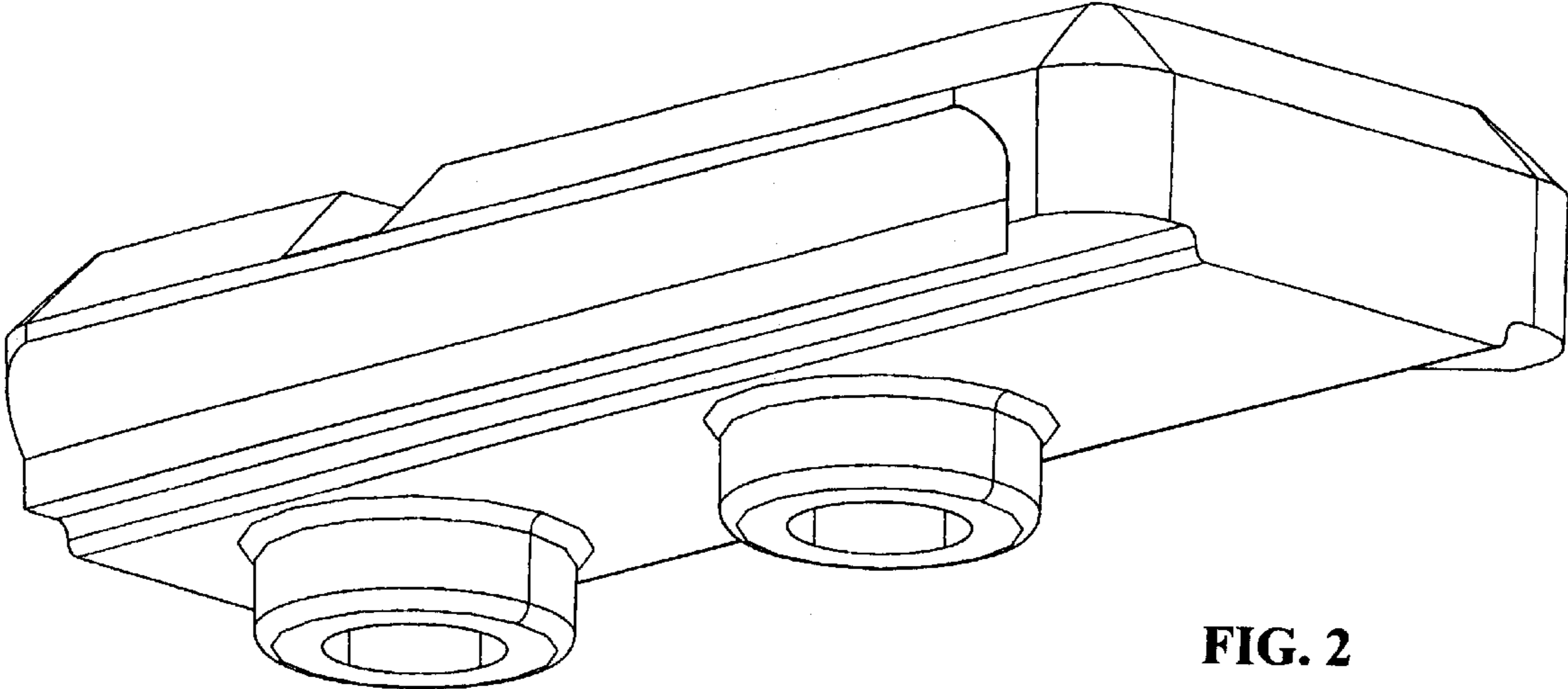


FIG. 2

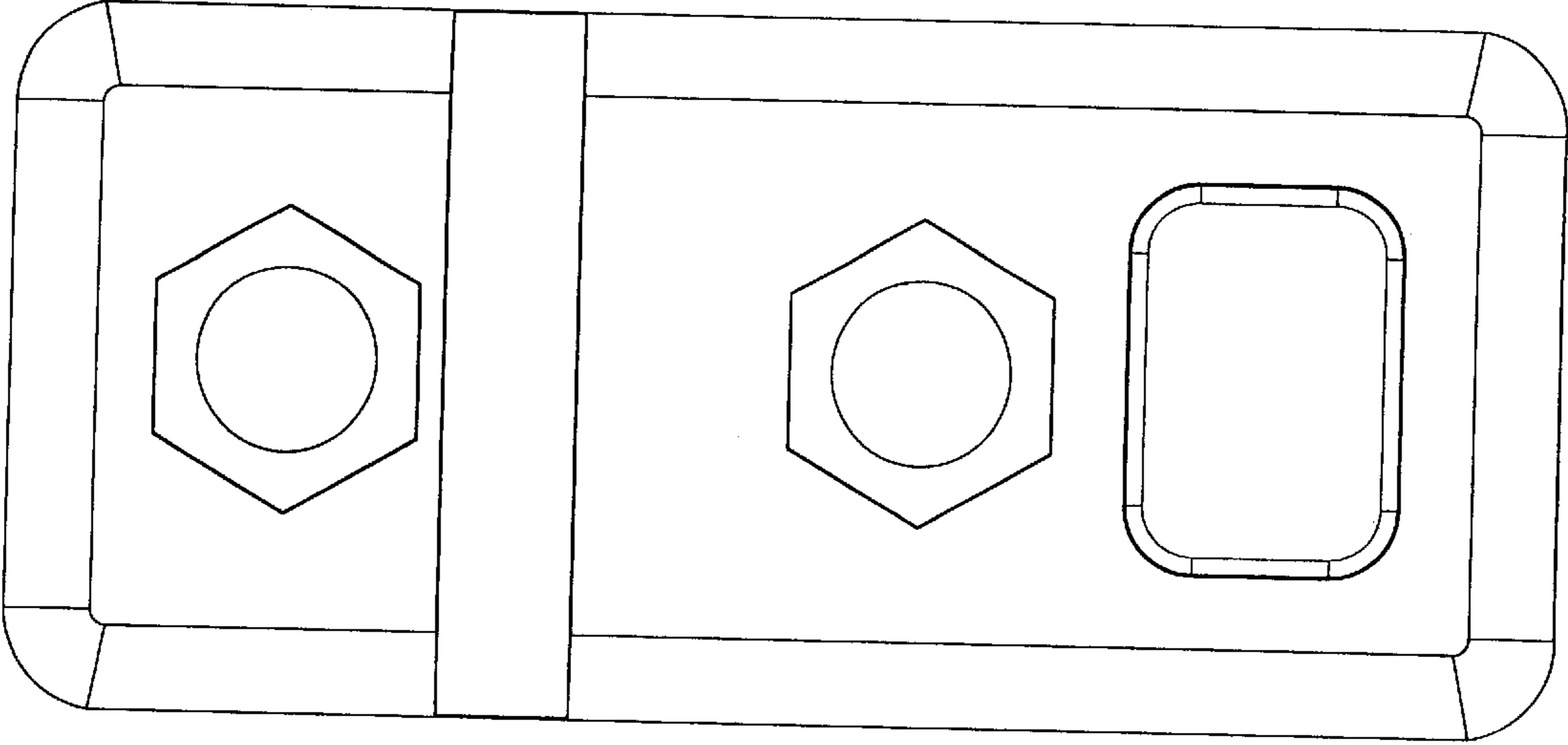


FIG. 3

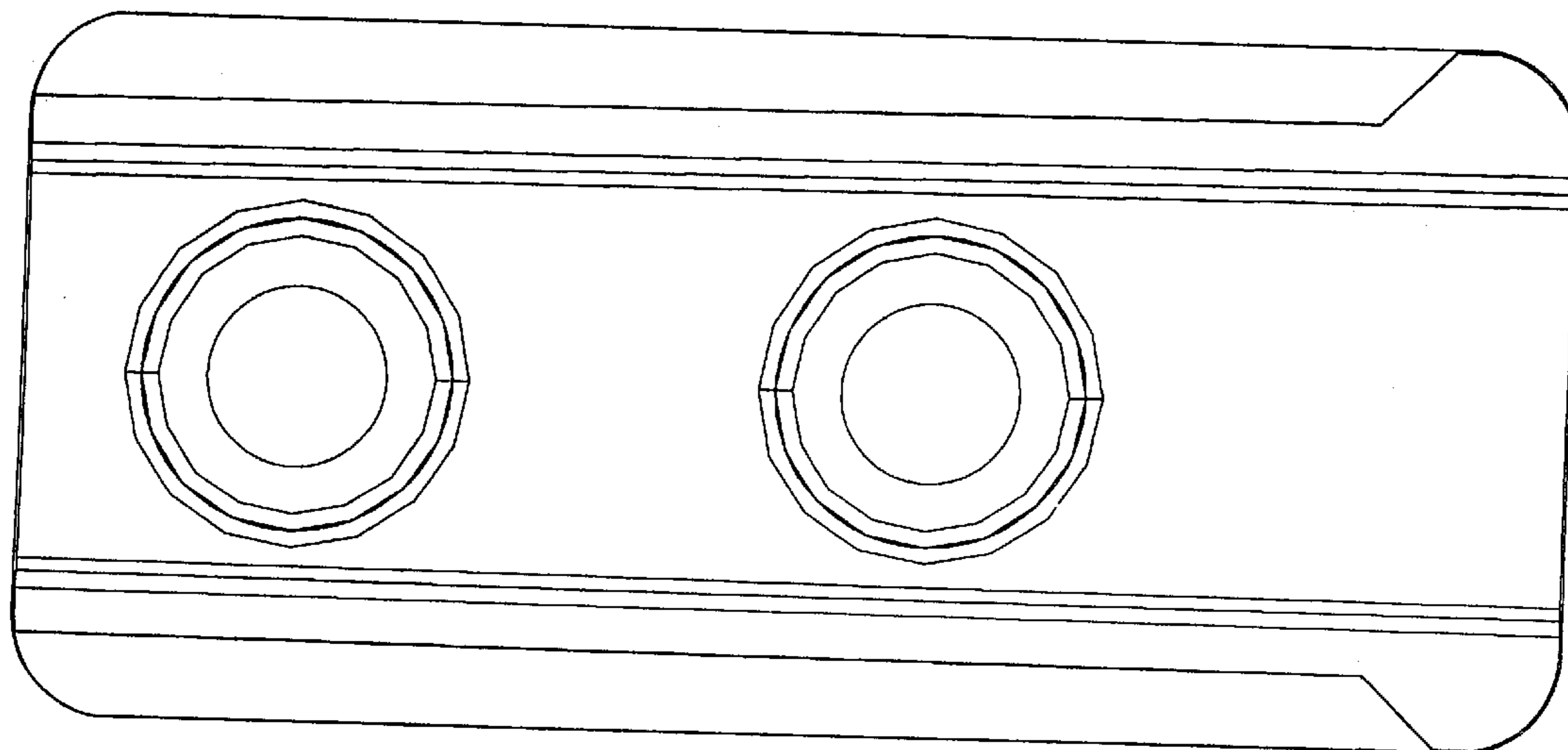


FIG. 4

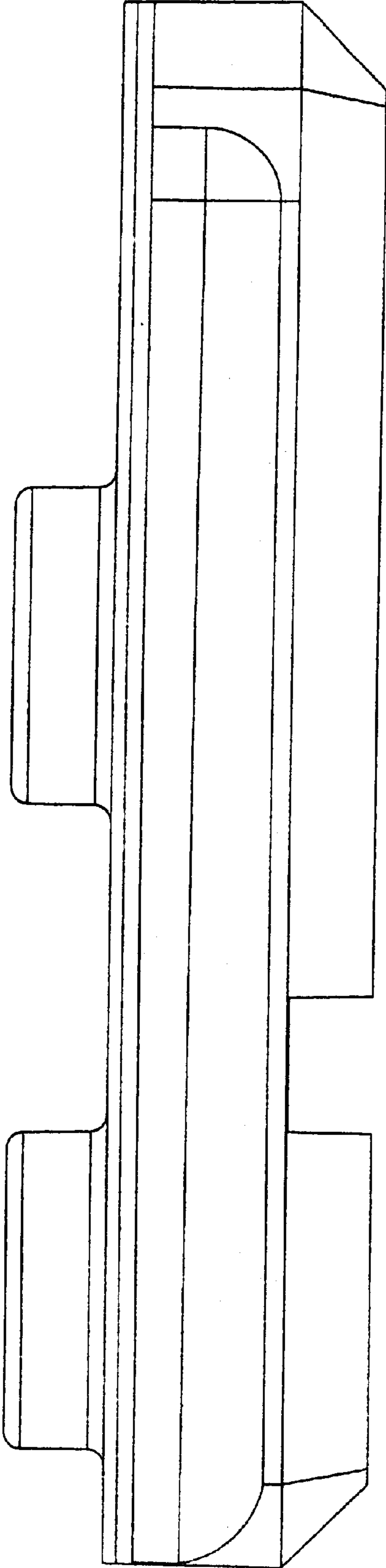


FIG. 5