



US00D502237S

(12) **United States Design Patent** (10) **Patent No.:** **US D502,237 S**
Schweigert et al. (45) **Date of Patent:** **** Feb. 22, 2005**

(54) **GOLF IRON HEAD**

(75) Inventors: **Bradley D. Schweigert**, Glendale, AZ (US); **Michael R. Nicolette**, Scottsdale, AZ (US); **John A. Solheim**, Phoenix, AZ (US)

(73) Assignee: **Karsten Manufacturing Corporation**, Phoenix, AZ (US)

(**) Term: **14 Years**

(21) Appl. No.: **29/183,512**

(22) Filed: **Jun. 11, 2003**

(51) **LOC (7) Cl.** **21-02**

(52) **U.S. Cl.** **D21/747**

(58) **Field of Search** D21/747-751;
473/324-331, 350

(56) **References Cited**

U.S. PATENT DOCUMENTS

D228,355 S	*	9/1973	Gerald	D21/749
D240,841 S		8/1976	Solheim		
D256,264 S		8/1980	Solheim		
D332,812 S		1/1993	Solheim		
D357,293 S		4/1995	Solheim		
D379,393 S		5/1997	Kubica		

(List continued on next page.)

Primary Examiner—Mitchell Siegel

(74) *Attorney, Agent, or Firm*—Darrell F. Marquette

(57) **CLAIM**

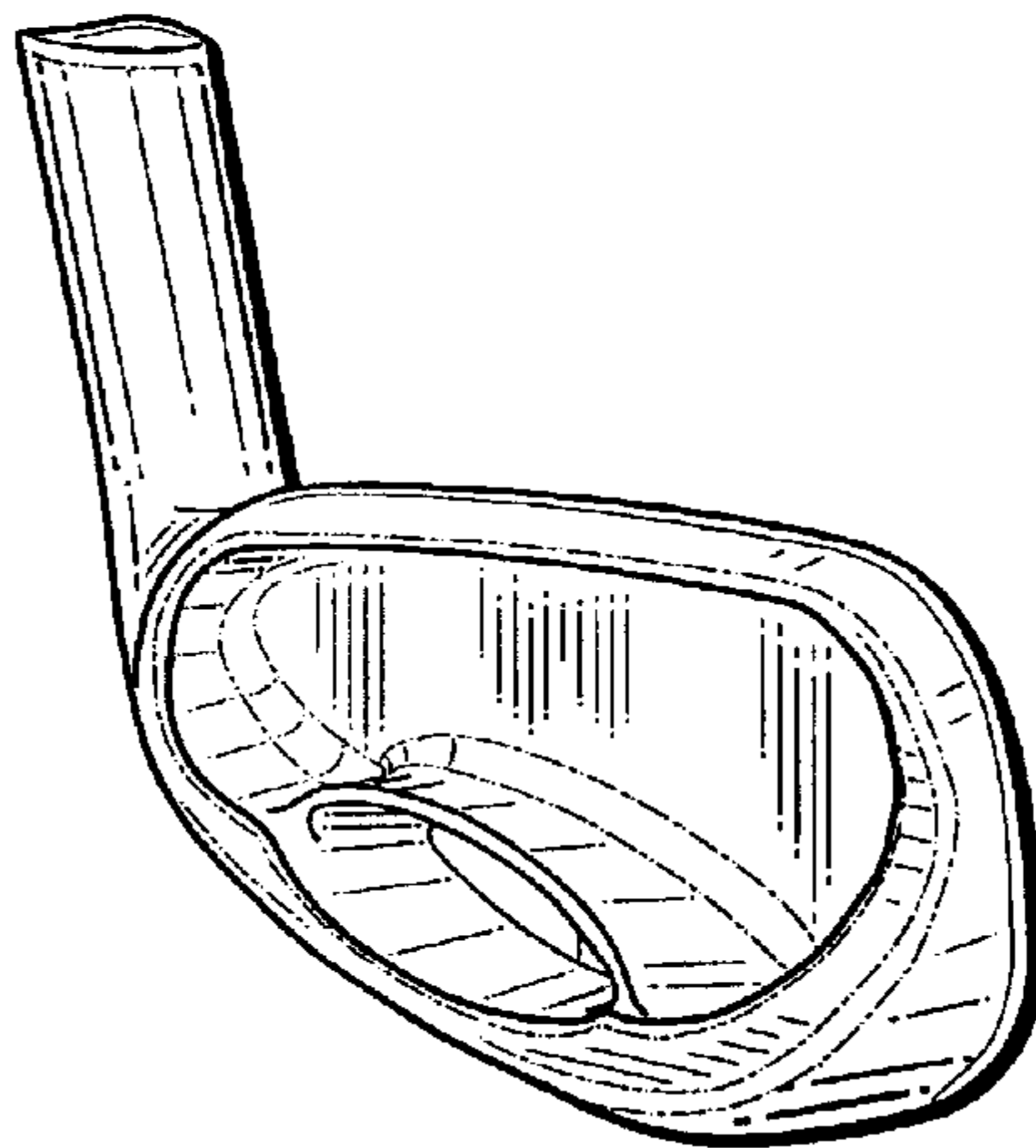
We claim the ornamental design for a golf iron head, as shown and described.

DESCRIPTION

FIG. 1 is a perspective view of a golf iron head with a low loft angle such as a 2-iron showing our new design; FIG. 2 is a toe end view of the golf iron head of FIG. 1; FIG. 3 is a heel end view of the golf iron head of FIG. 1;

FIG. 4 is a top view of the golf iron head of FIG. 1; FIG. 5 is a bottom view of the golf iron head of FIG. 1; FIG. 6 is a front elevational view of the golf iron head of FIG. 1; FIG. 7 is a rear elevational view of the golf iron head of FIG. 1; FIG. 8 is an enlarged sectional view taken on line 8—8 on FIG. 7; FIG. 9 is an enlarged sectional view taken on line 9—9 on FIG. 7; FIG. 10 is an enlarged sectional view taken on line 10—10 on FIG. 7; FIG. 11 is a perspective view of a golf iron head with a medium loft angle such as a 6-iron showing our new design; FIG. 12 is a toe end view of the golf iron head of FIG. 11; FIG. 13 is a heel end view of the golf iron head of FIG. 11; FIG. 14 is a top view of the golf iron head of FIG. 11; FIG. 15 is a bottom view of the golf iron head of FIG. 11; FIG. 16 is a front elevational view of the golf iron head of FIG. 11; FIG. 17 is a rear elevational view of the golf iron head of FIG. 11; FIG. 18 is an enlarged sectional view taken on line 18—18 on FIG. 11; FIG. 19 is an enlarged sectional view taken on line 19—19 on FIG. 11; FIG. 20 is an enlarged sectional view taken on line 20—20 on FIG. 11; FIG. 21 is a perspective view of a golf iron head with a high loft angle such as a wedge showing our new design; FIG. 22 is a toe end view of the golf iron head of FIG. 21; FIG. 23 is a heel end view of the golf iron head of FIG. 21; FIG. 24 is a top view of the golf iron head of FIG. 21; FIG. 25 is a bottom view of the golf iron head of FIG. 21; FIG. 26 is a front elevational view of the golf iron head of FIG. 21; FIG. 27 is a rear elevational view of the golf iron head of FIG. 21; and, FIG. 28, 29 and 30 are enlarged sectional views taken along lines 28—28, 29—29 and 30—30, respectively, in FIG. 27.

1 Claim, 9 Drawing Sheets



US D502,237 S

Page 2

U.S. PATENT DOCUMENTS			
D422,043 S	3/2000	Kubica	
D429,299 S	8/2000	Kubica	
D442,659 S	5/2001	Kubica	
D443,008 S	* 5/2001	Kubica et al.	D21/747 * cited by examiner
D453,949 S	* 2/2002	Helmstetter et al.	D21/747
D473,605 S	4/2003	Peterson	
D480,440 S	* 10/2003	Rollinson et al.	D21/749
D481,775 S	* 11/2003	Best	D21/759

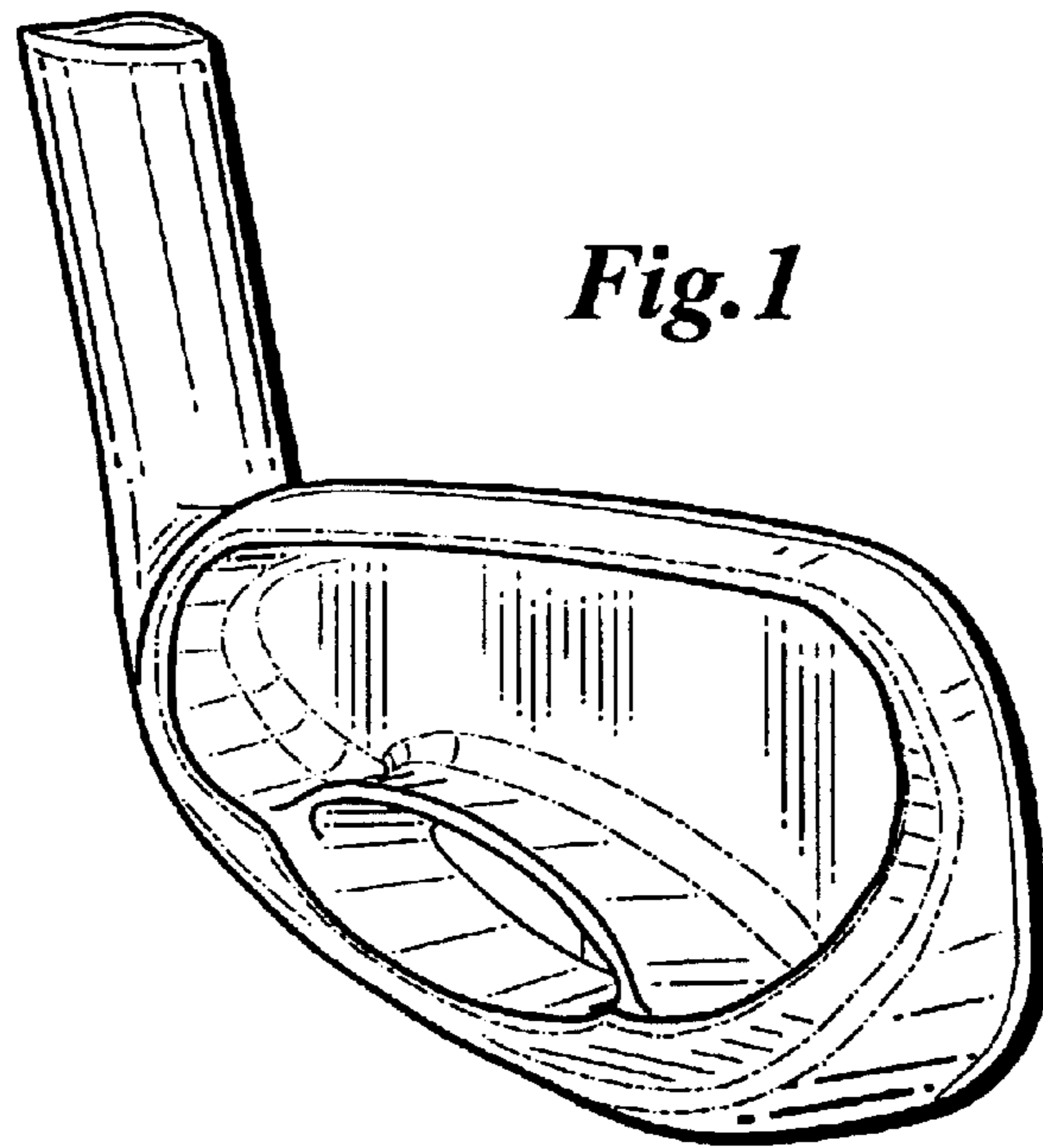


Fig. 1

Fig. 2

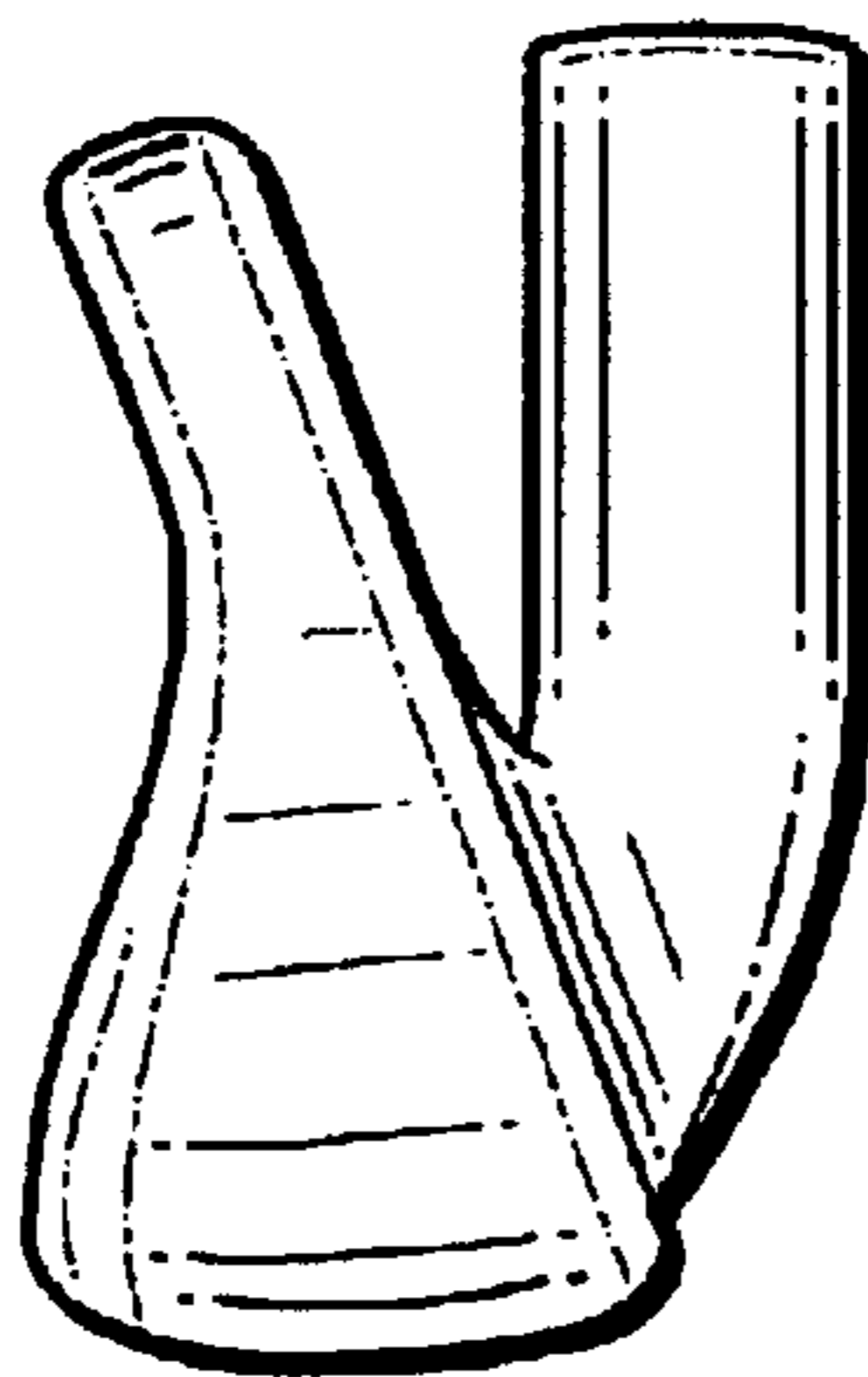


Fig. 3

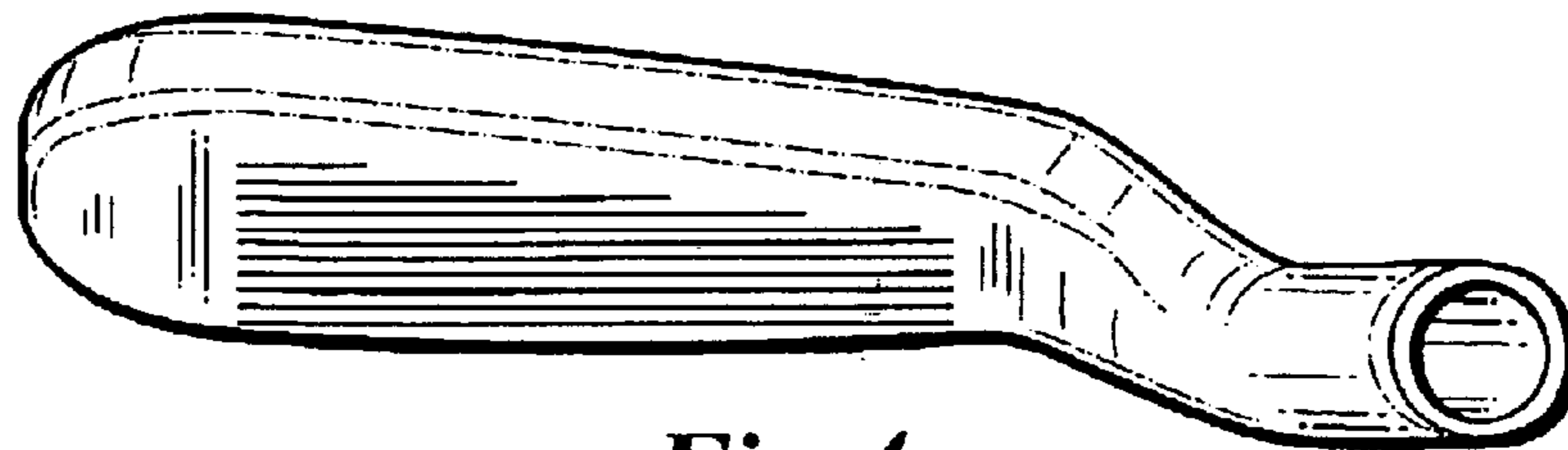
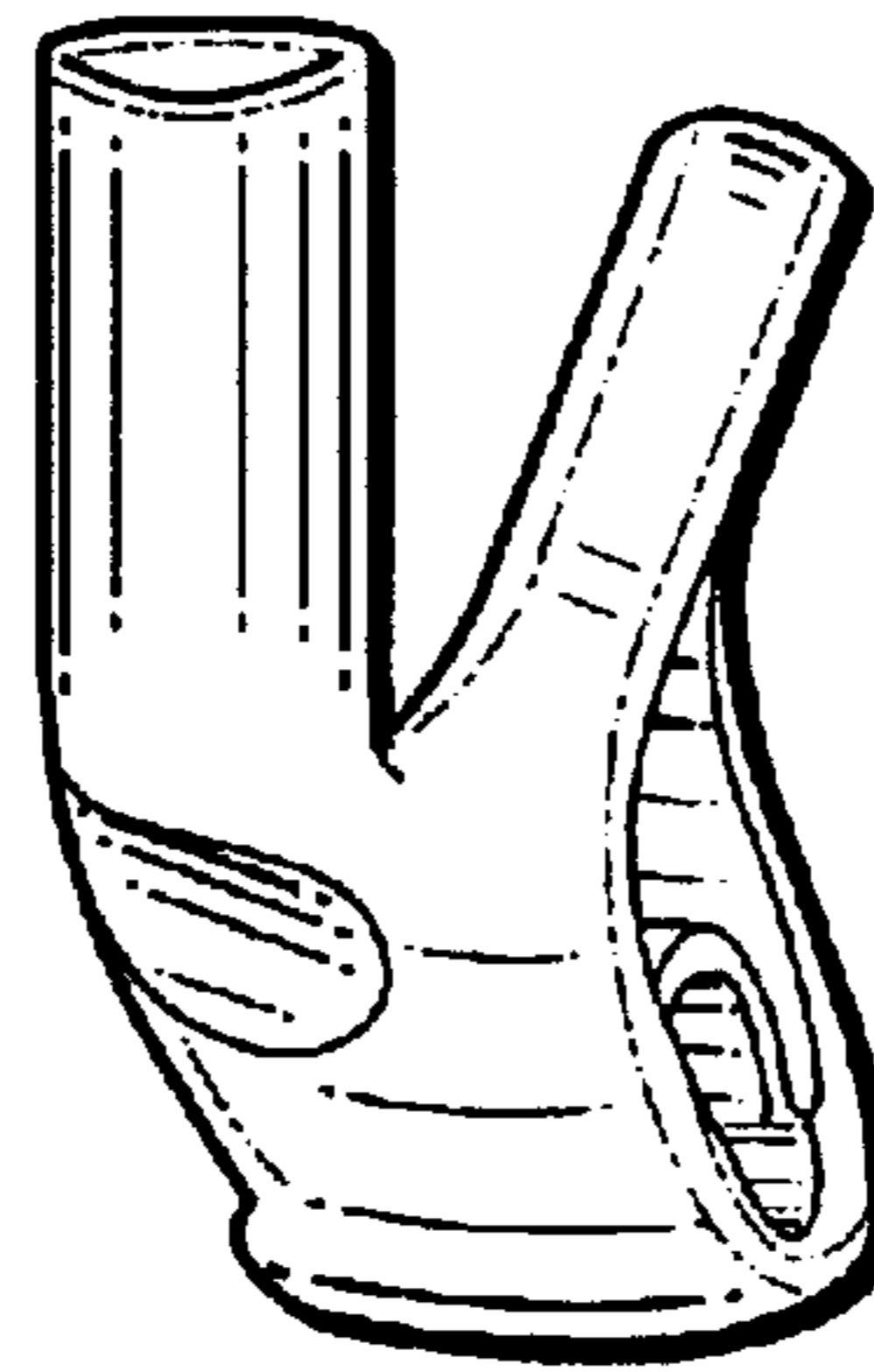


Fig. 4

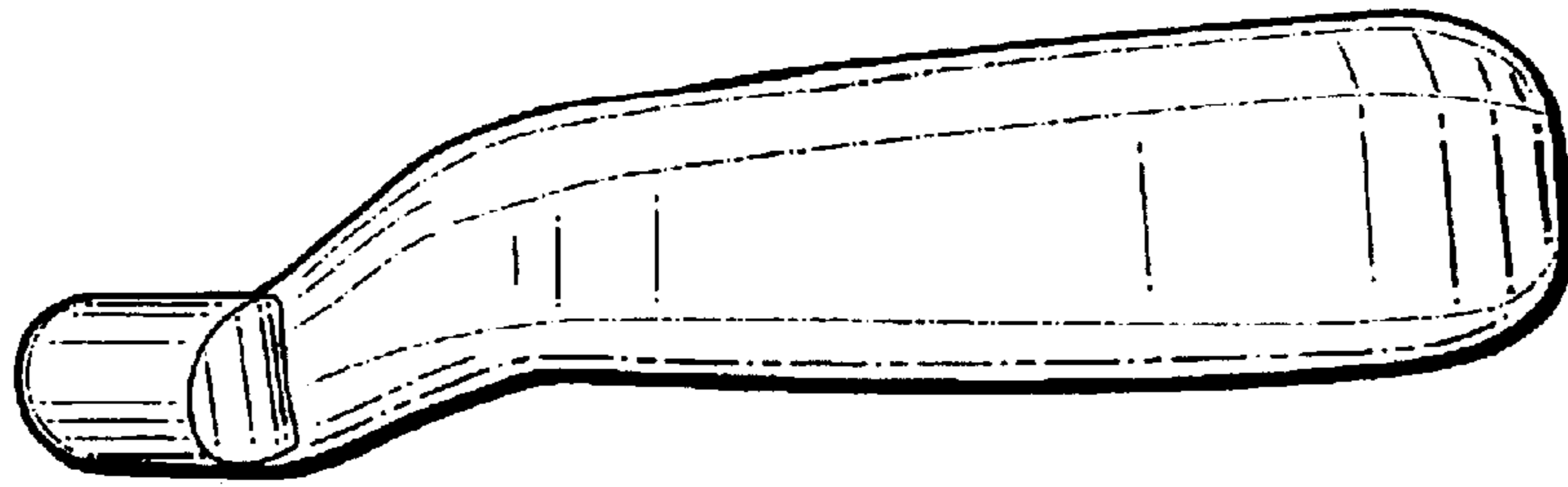


Fig. 5

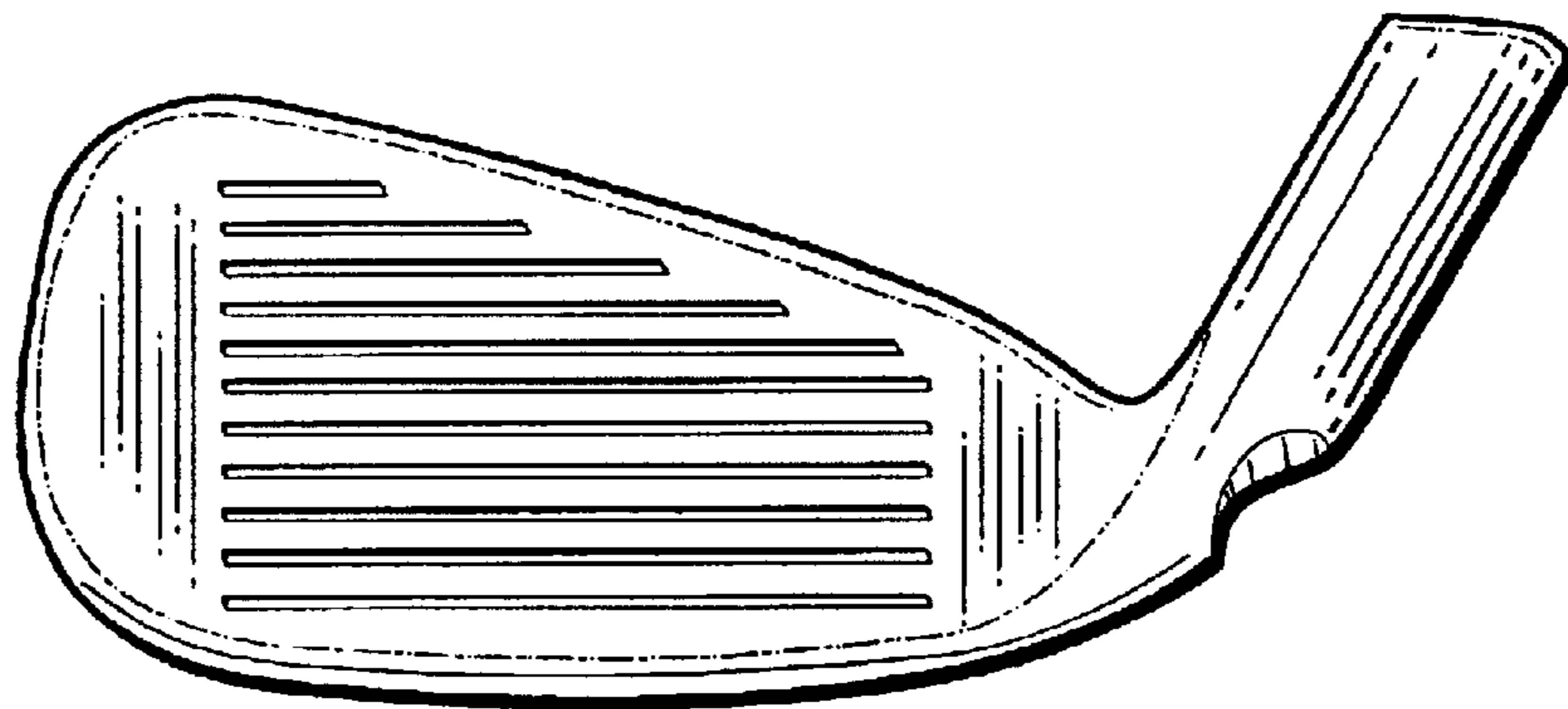


Fig. 6

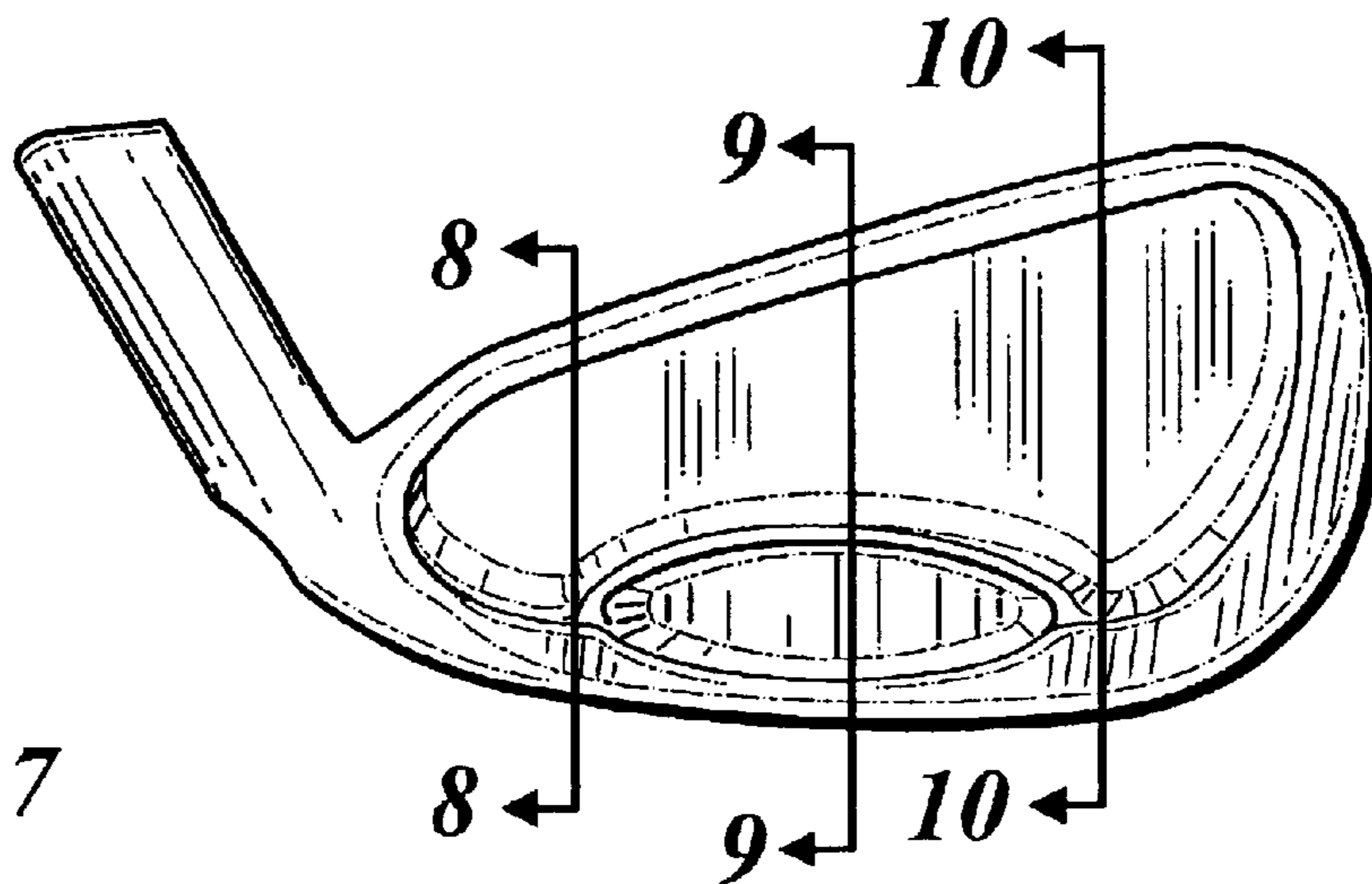


Fig. 7

Fig. 8

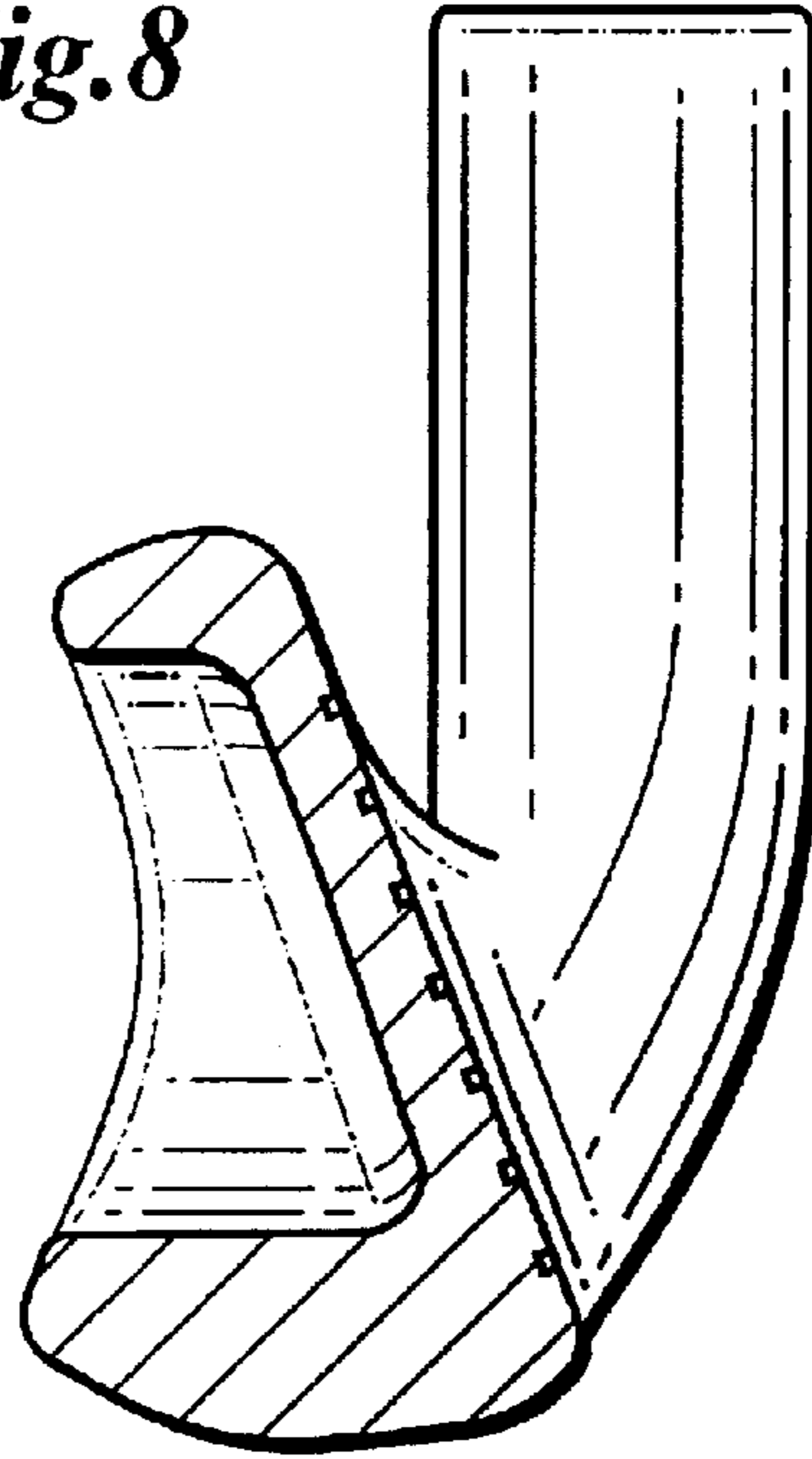


Fig. 9

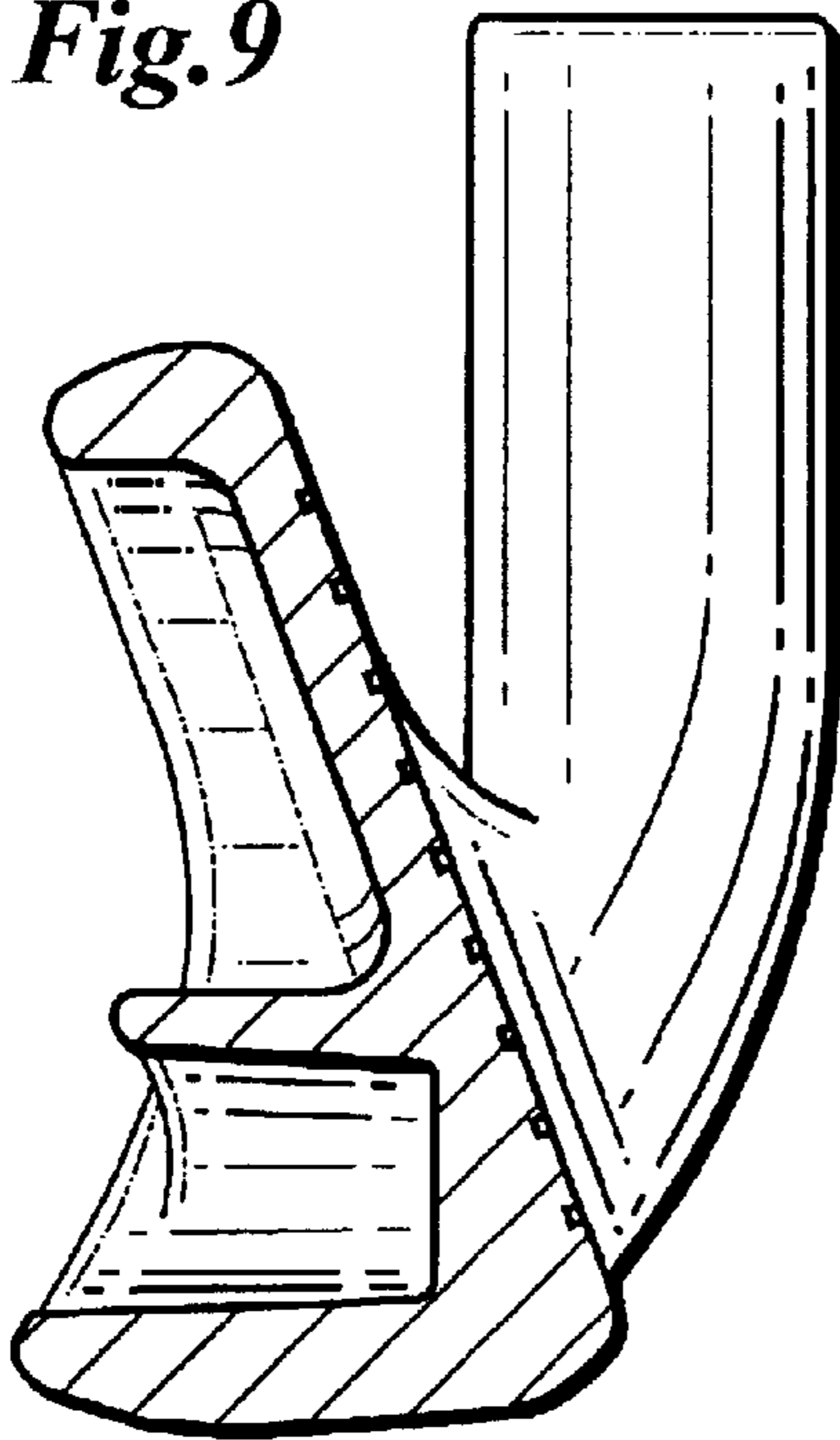
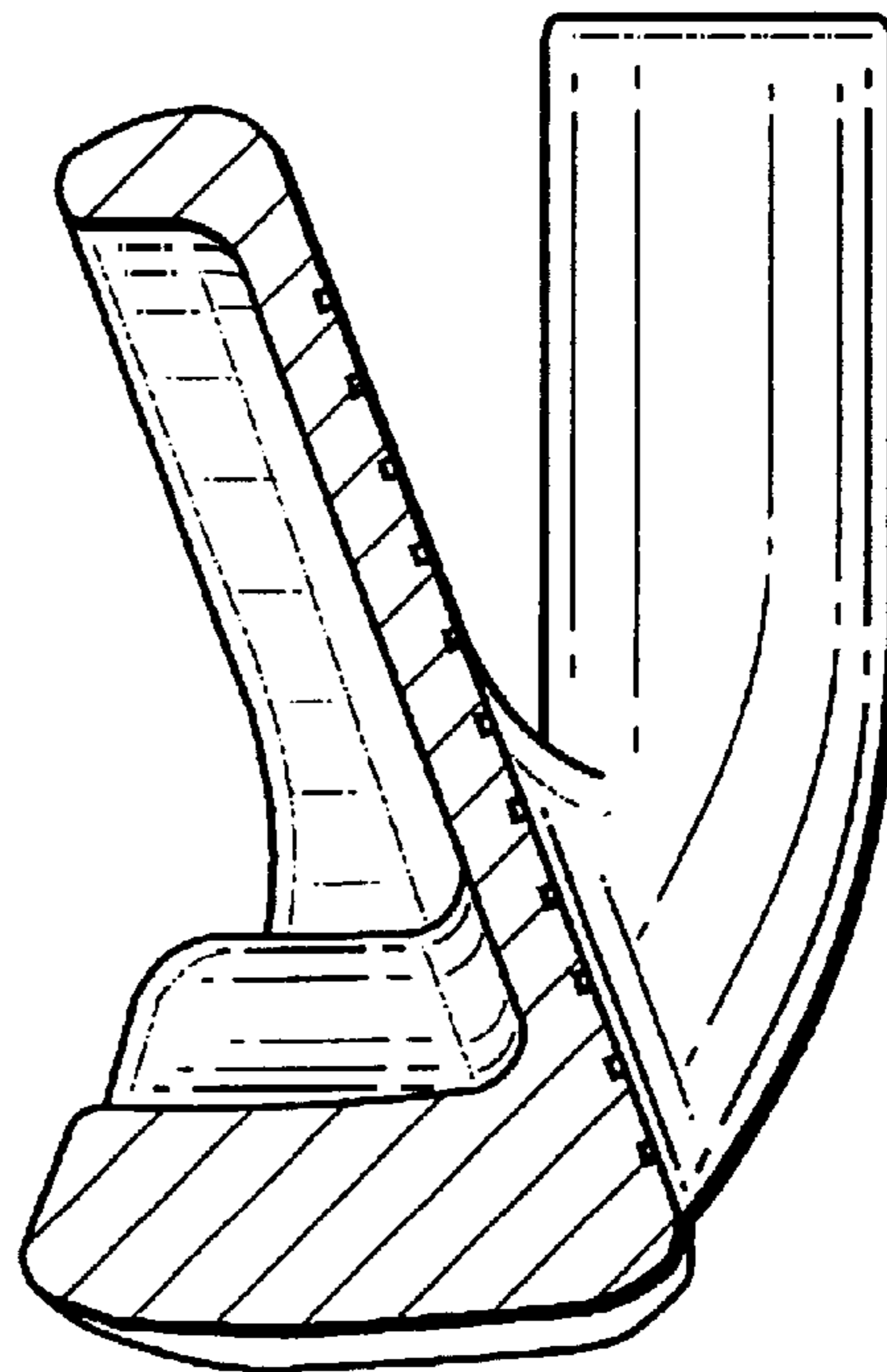


Fig. 10



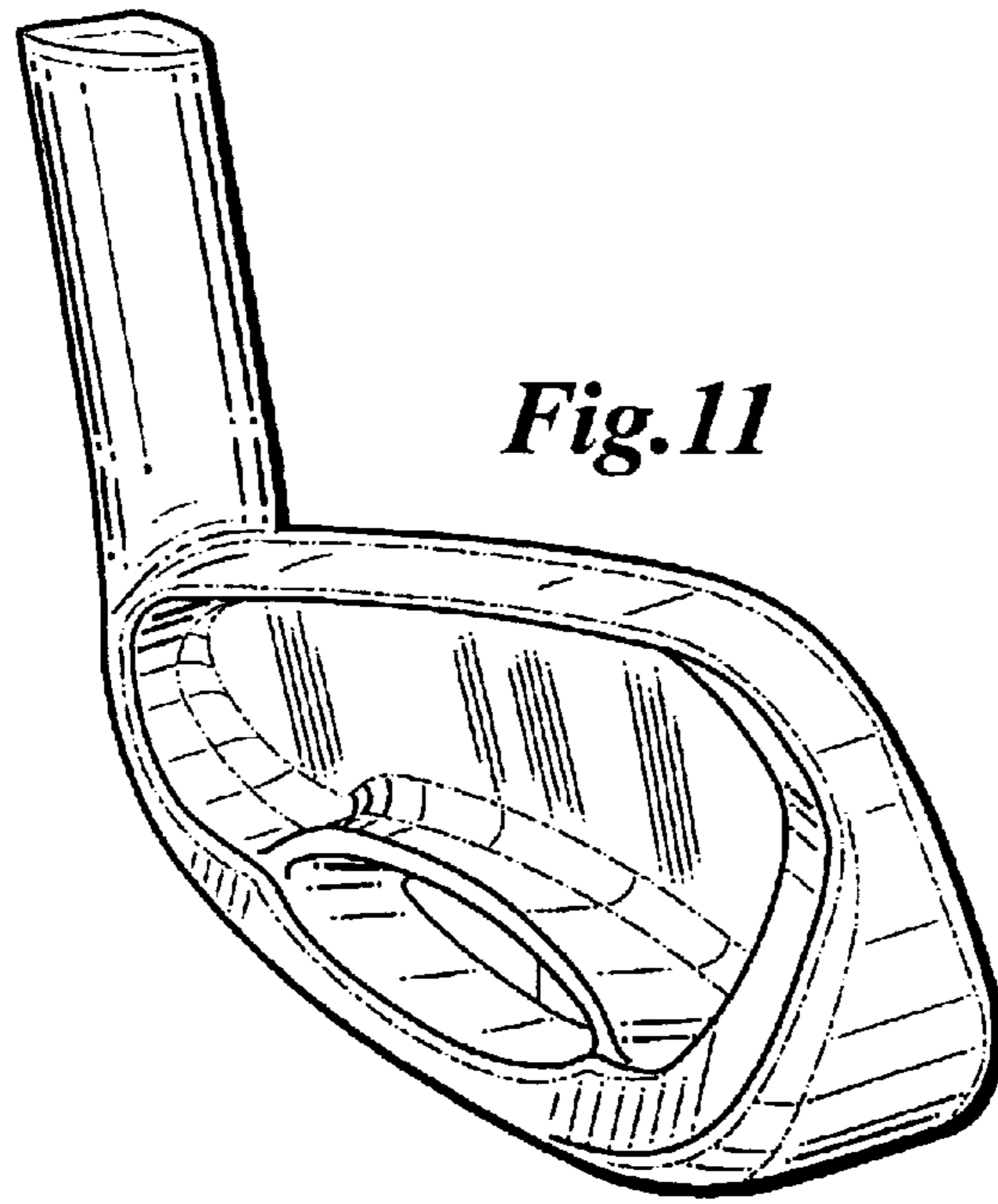


Fig. 11

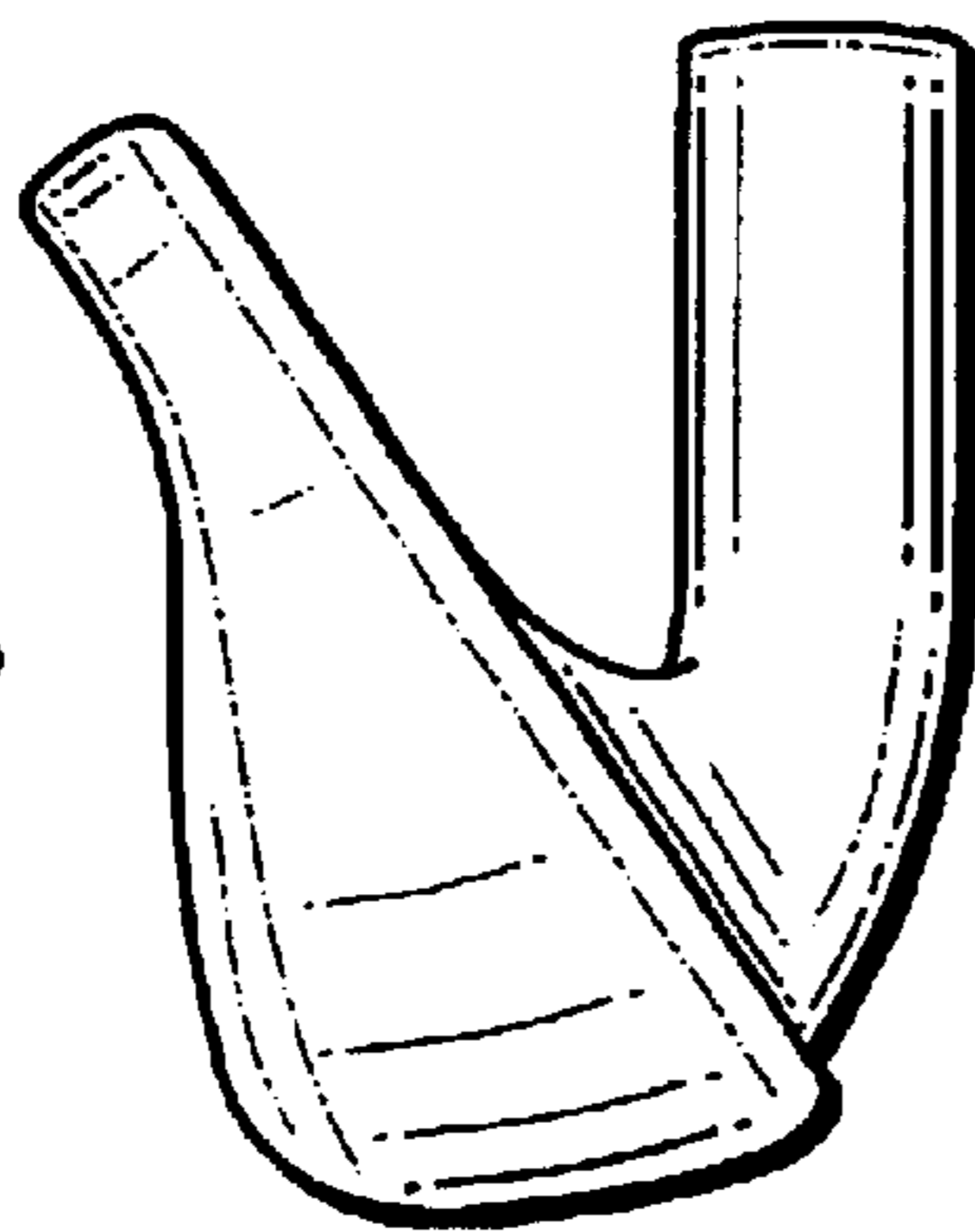


Fig. 12

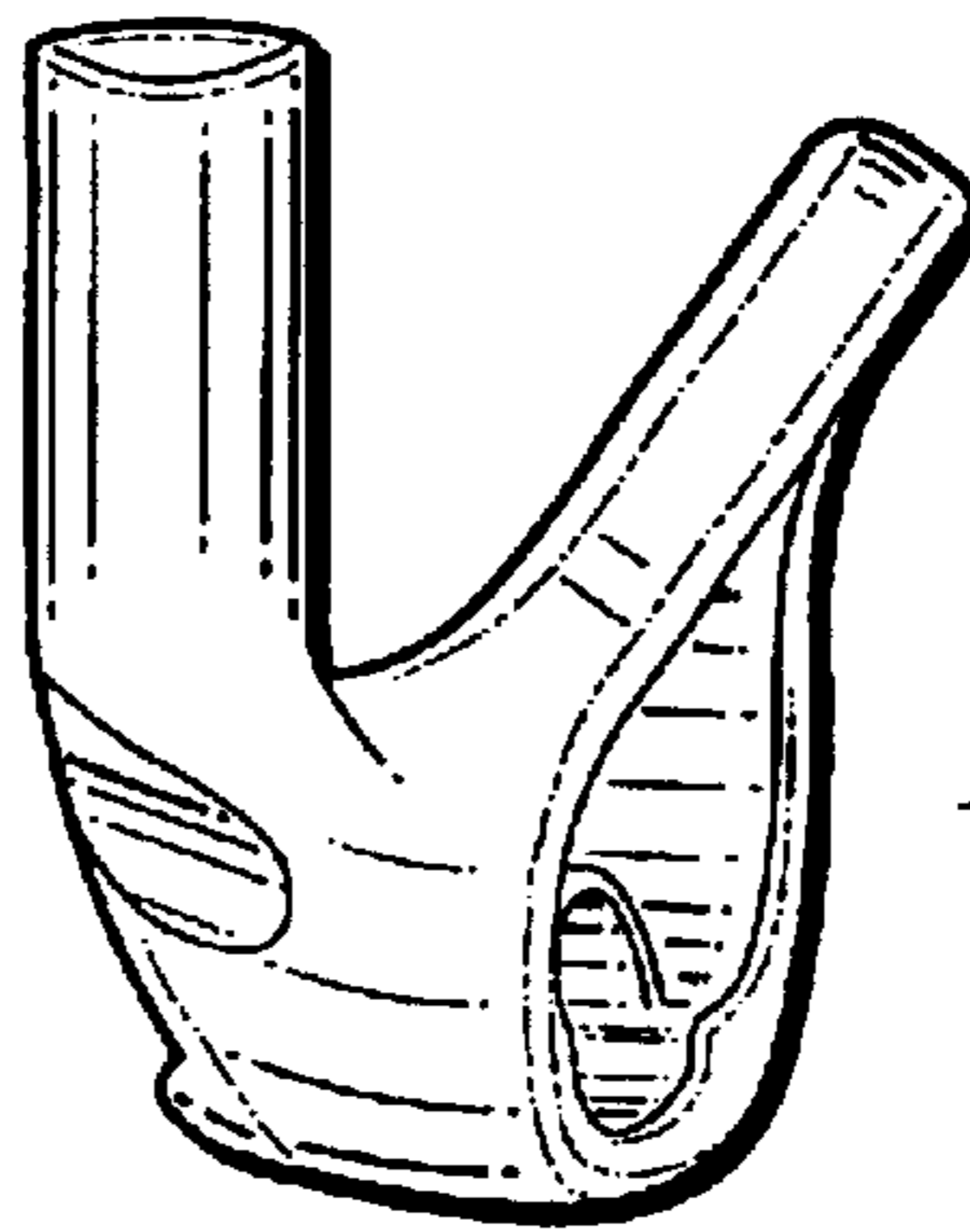


Fig. 13

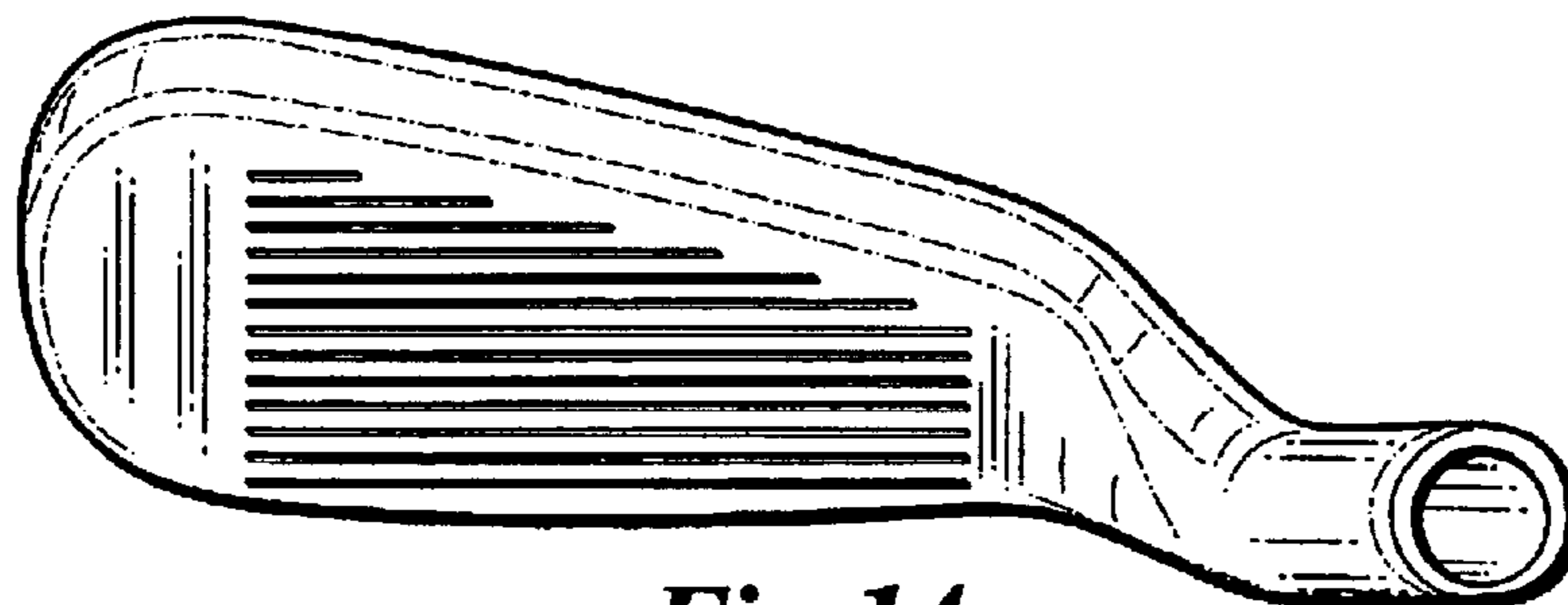


Fig. 14

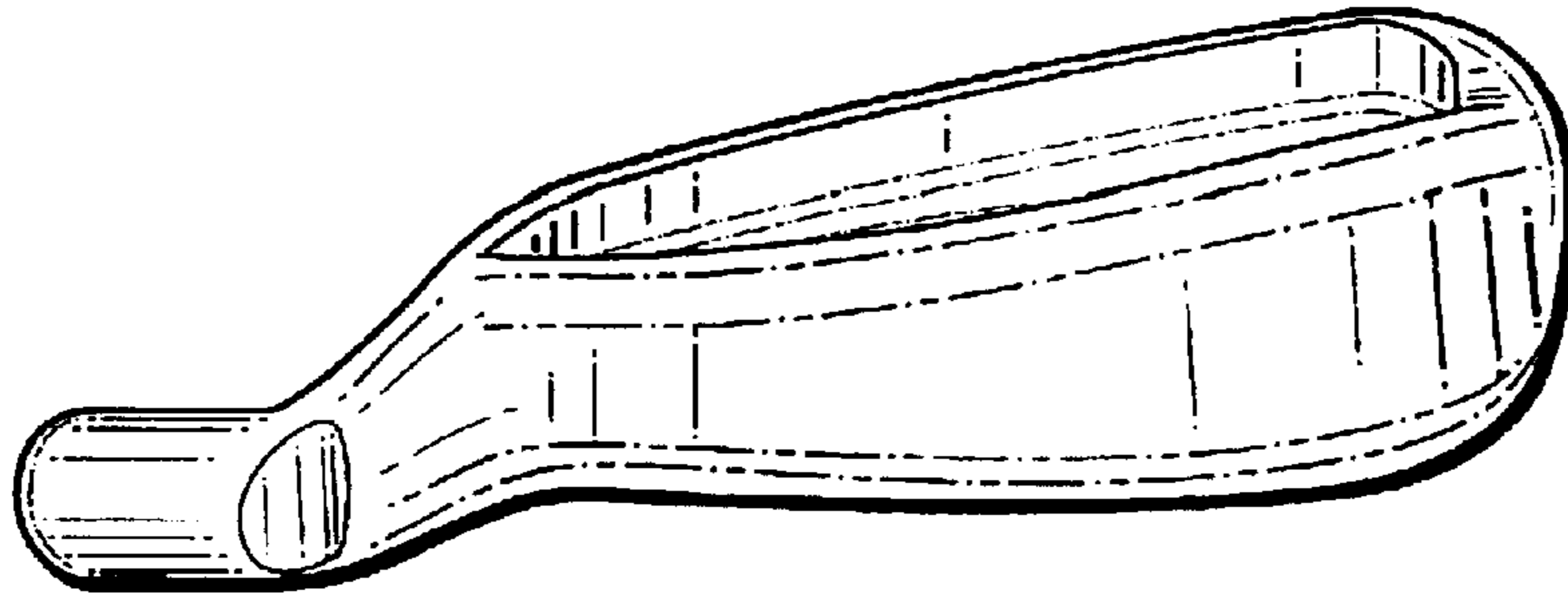


Fig.15

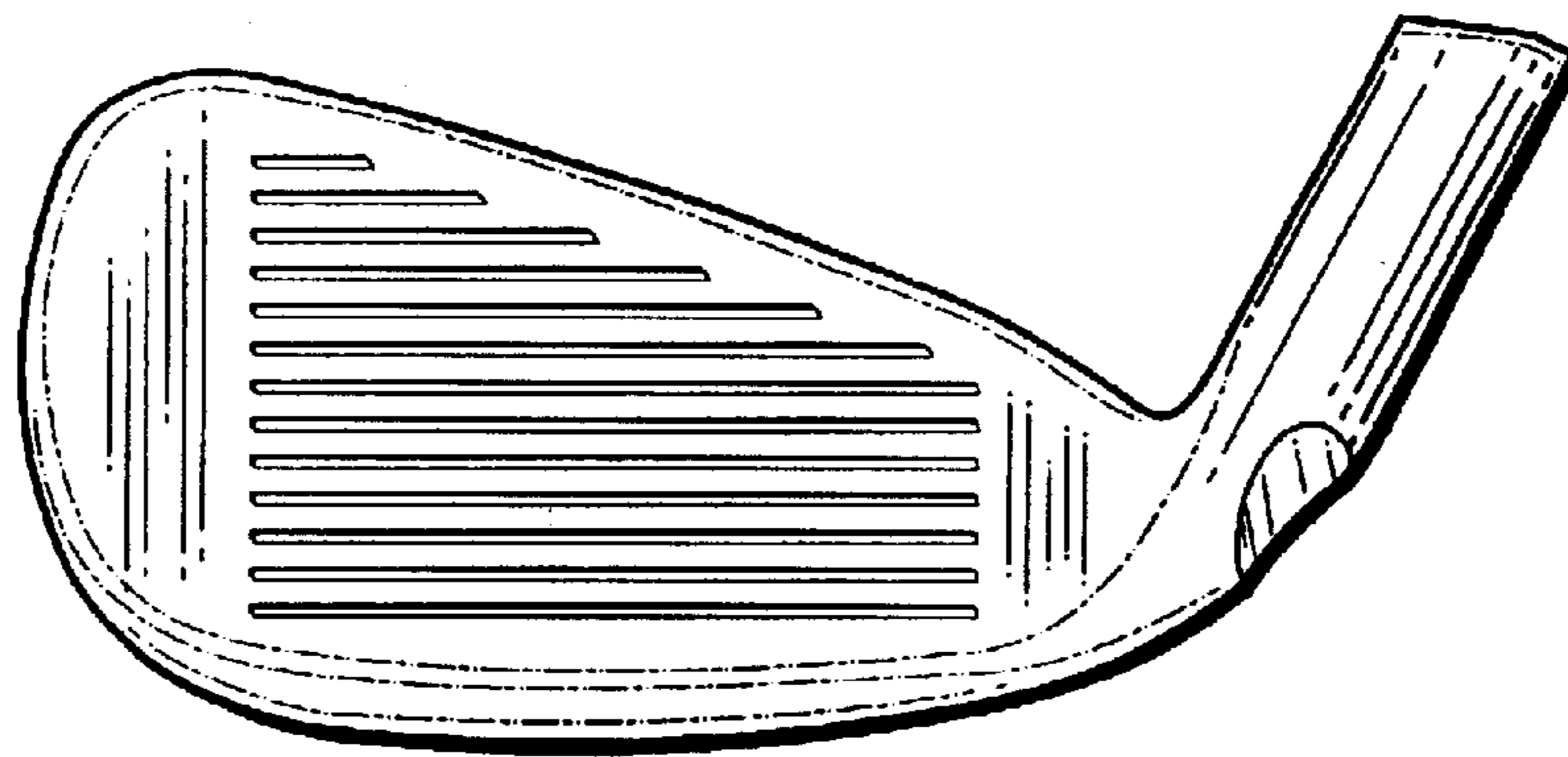


Fig.16

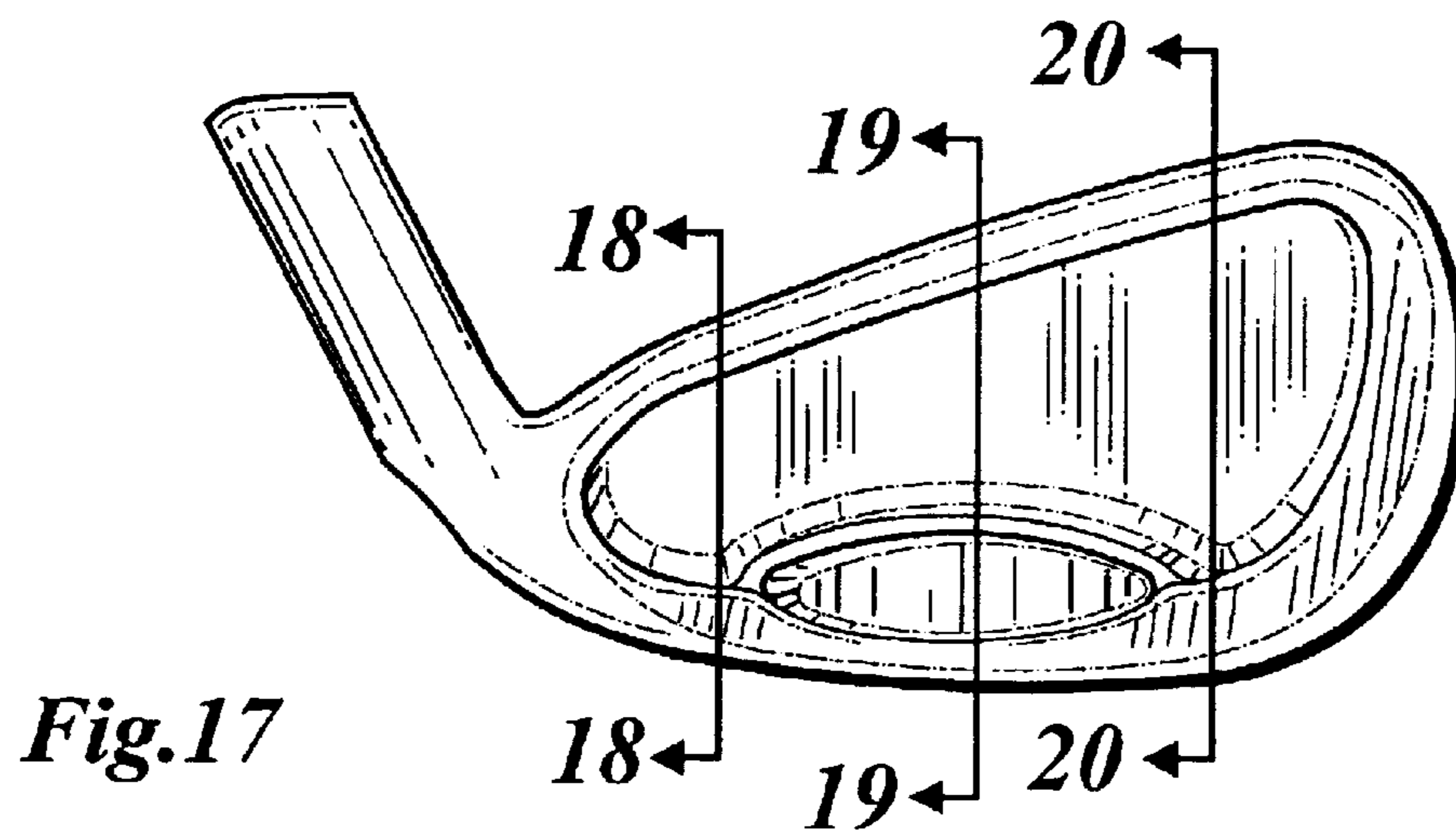


Fig.17

Fig.18

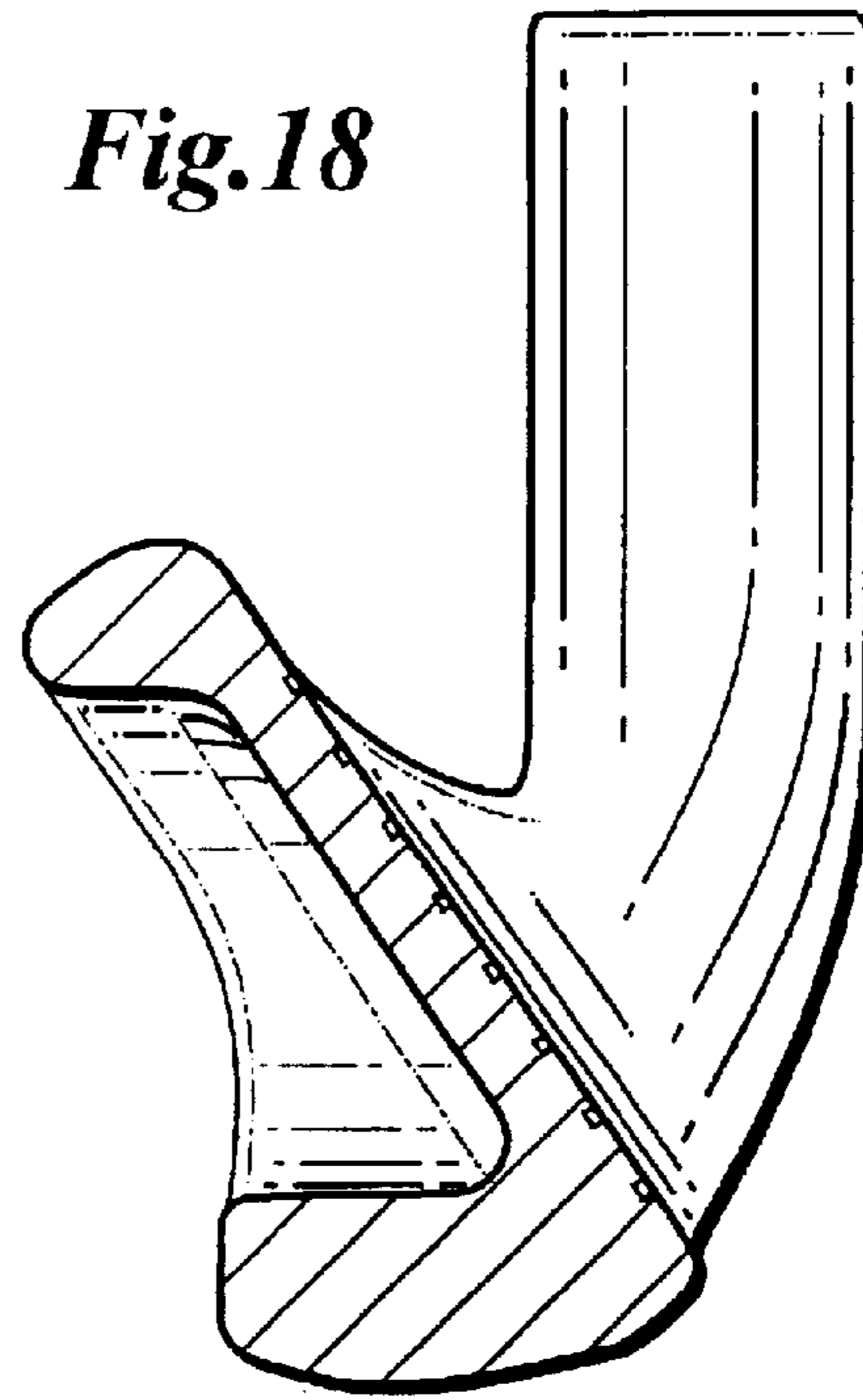


Fig.19

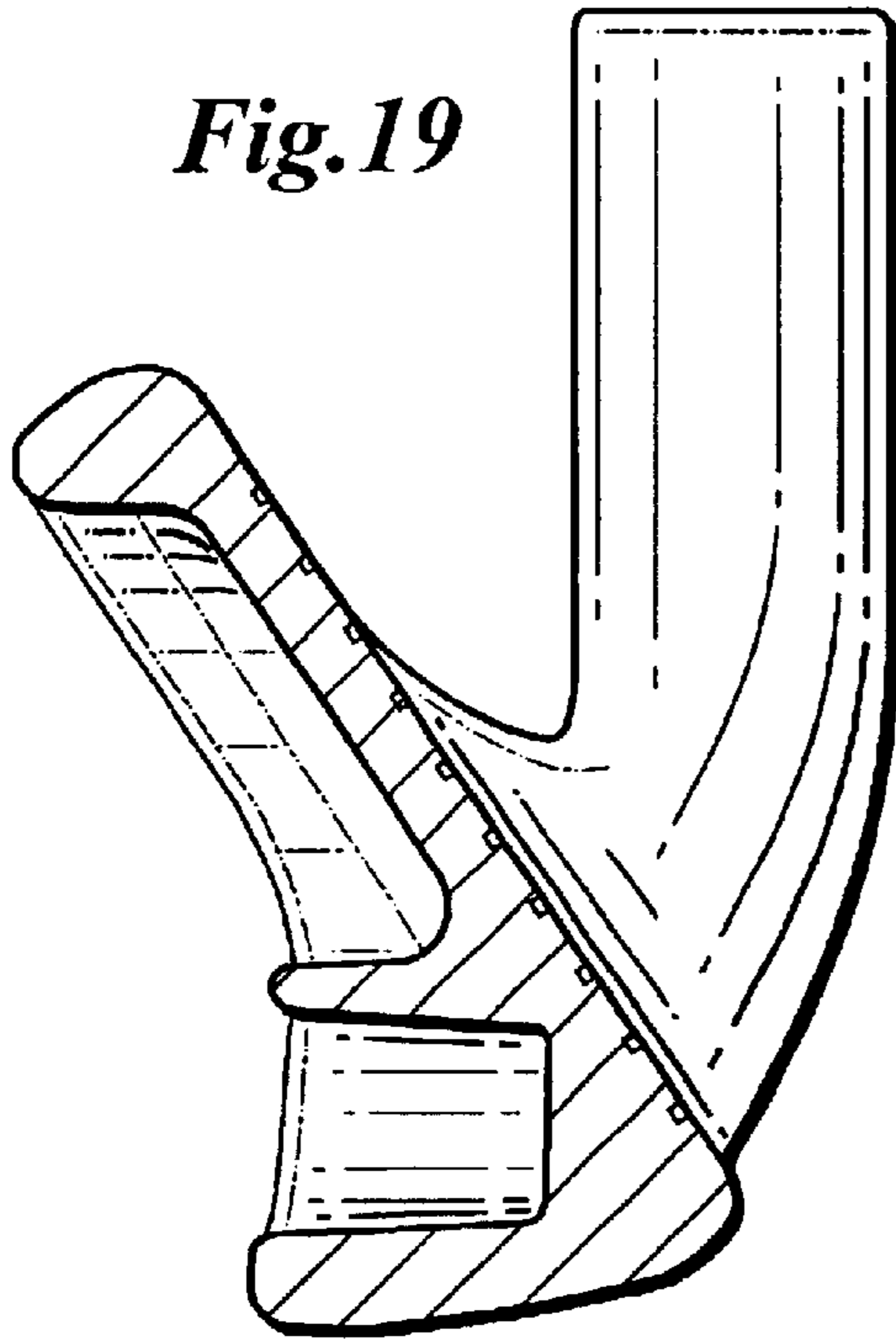
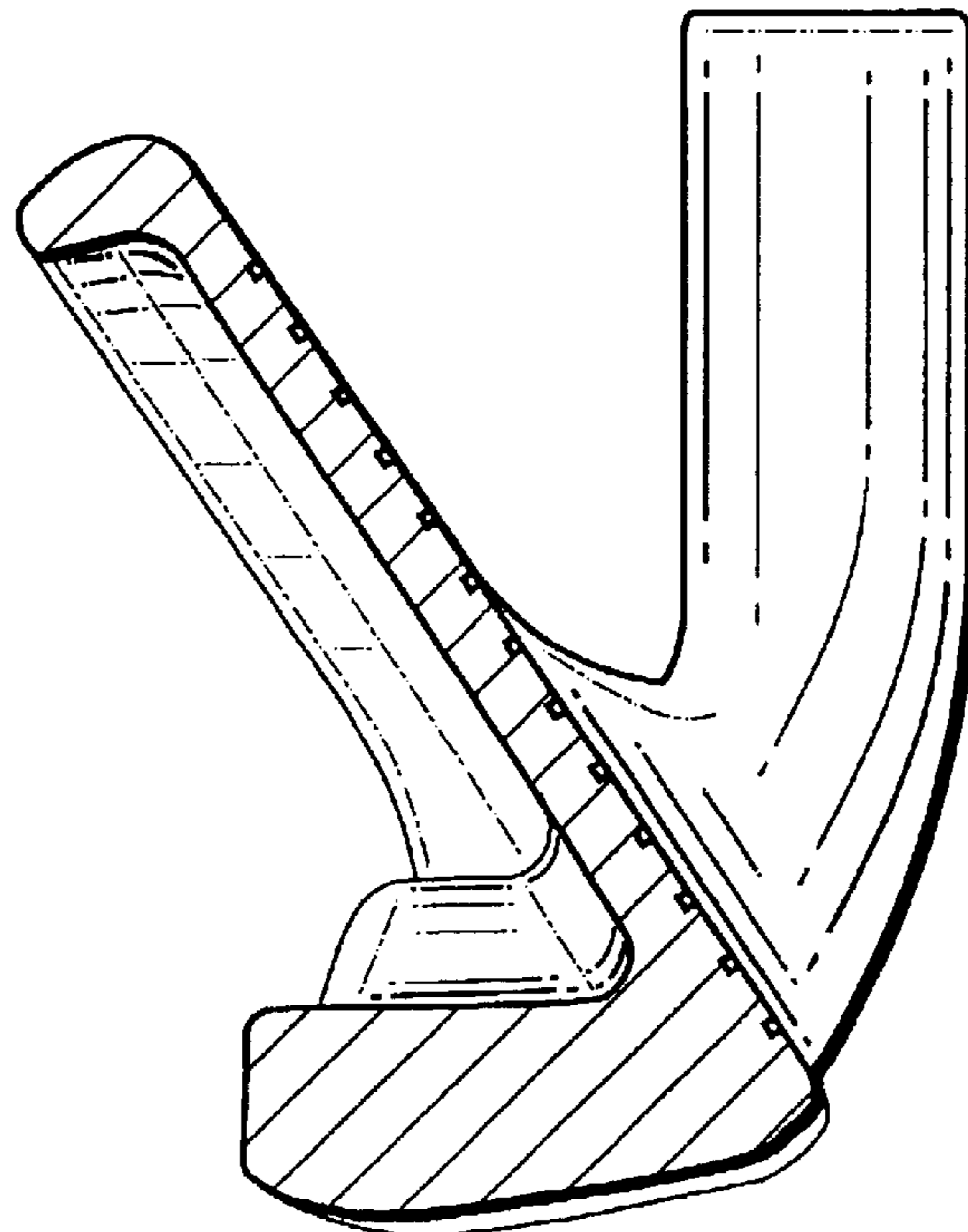


Fig.20



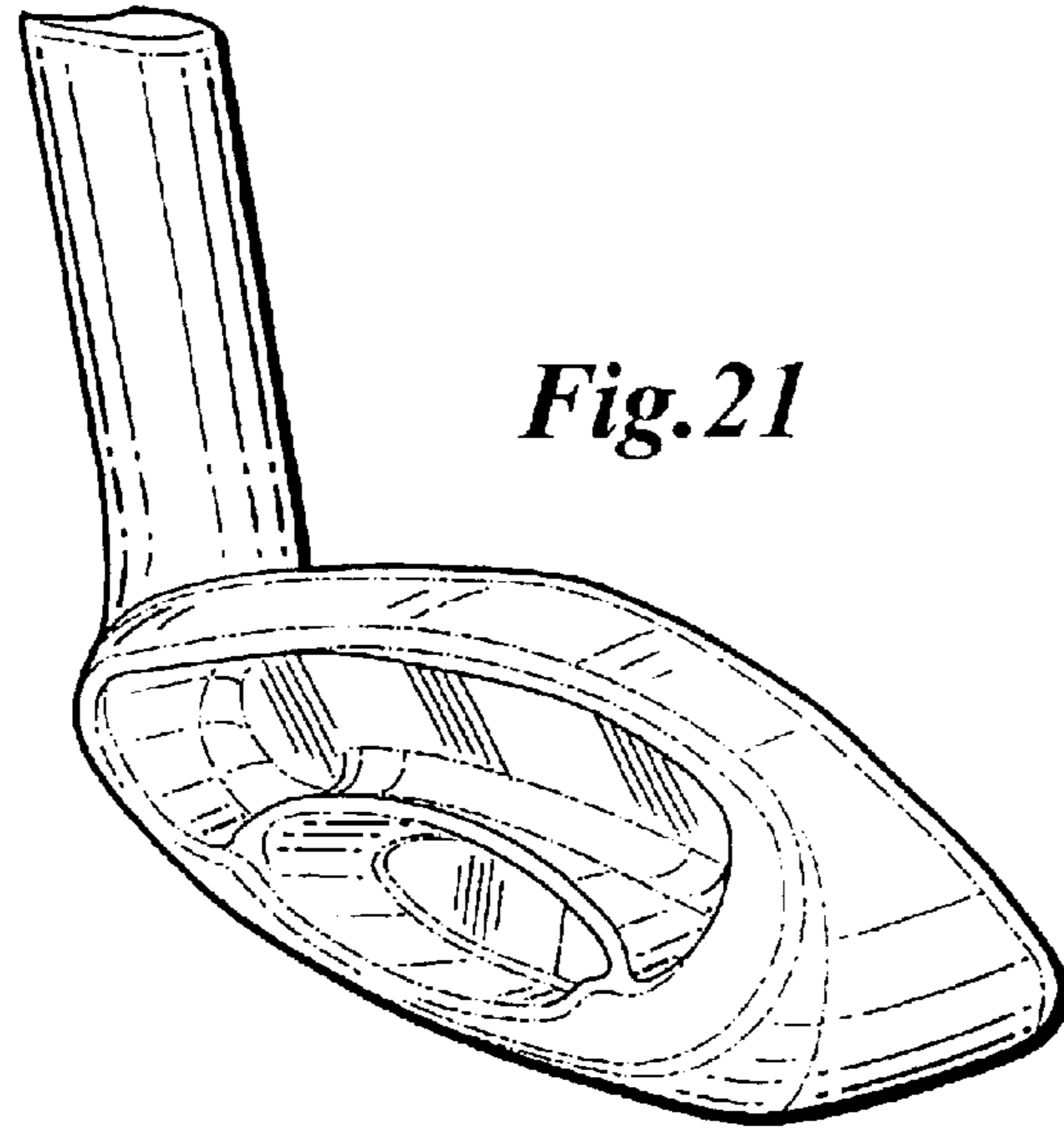


Fig. 21

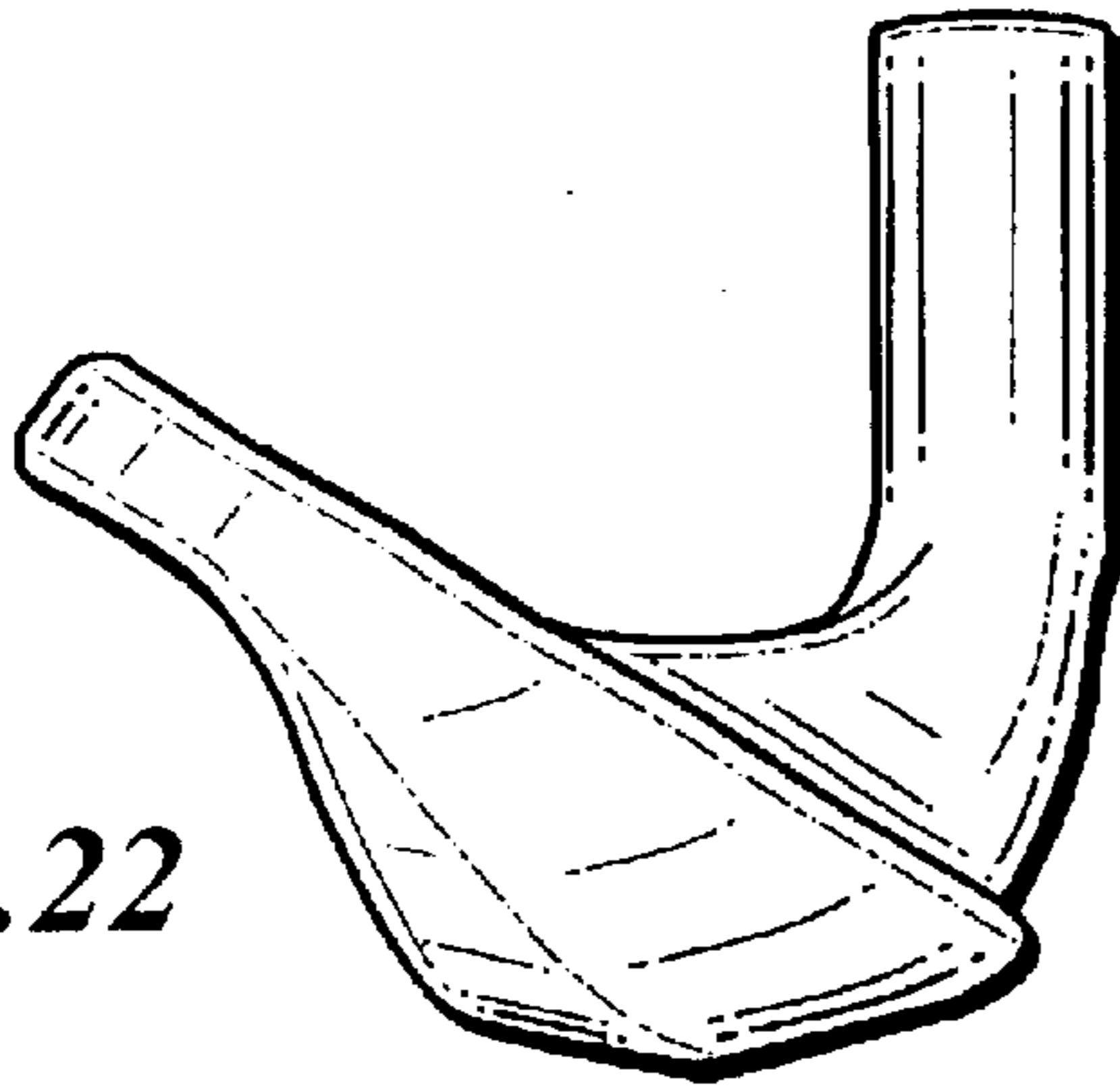


Fig. 22

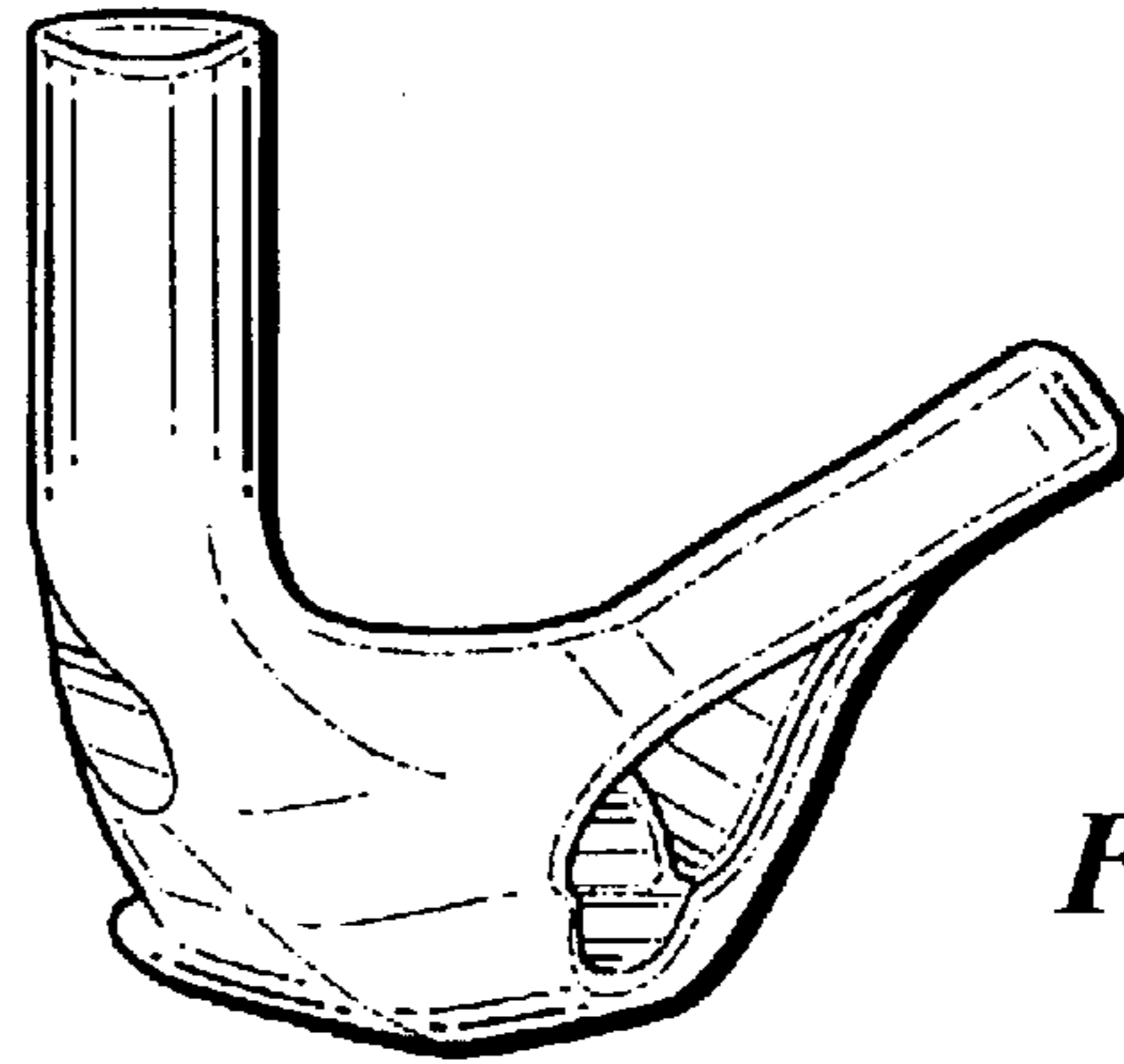


Fig. 23

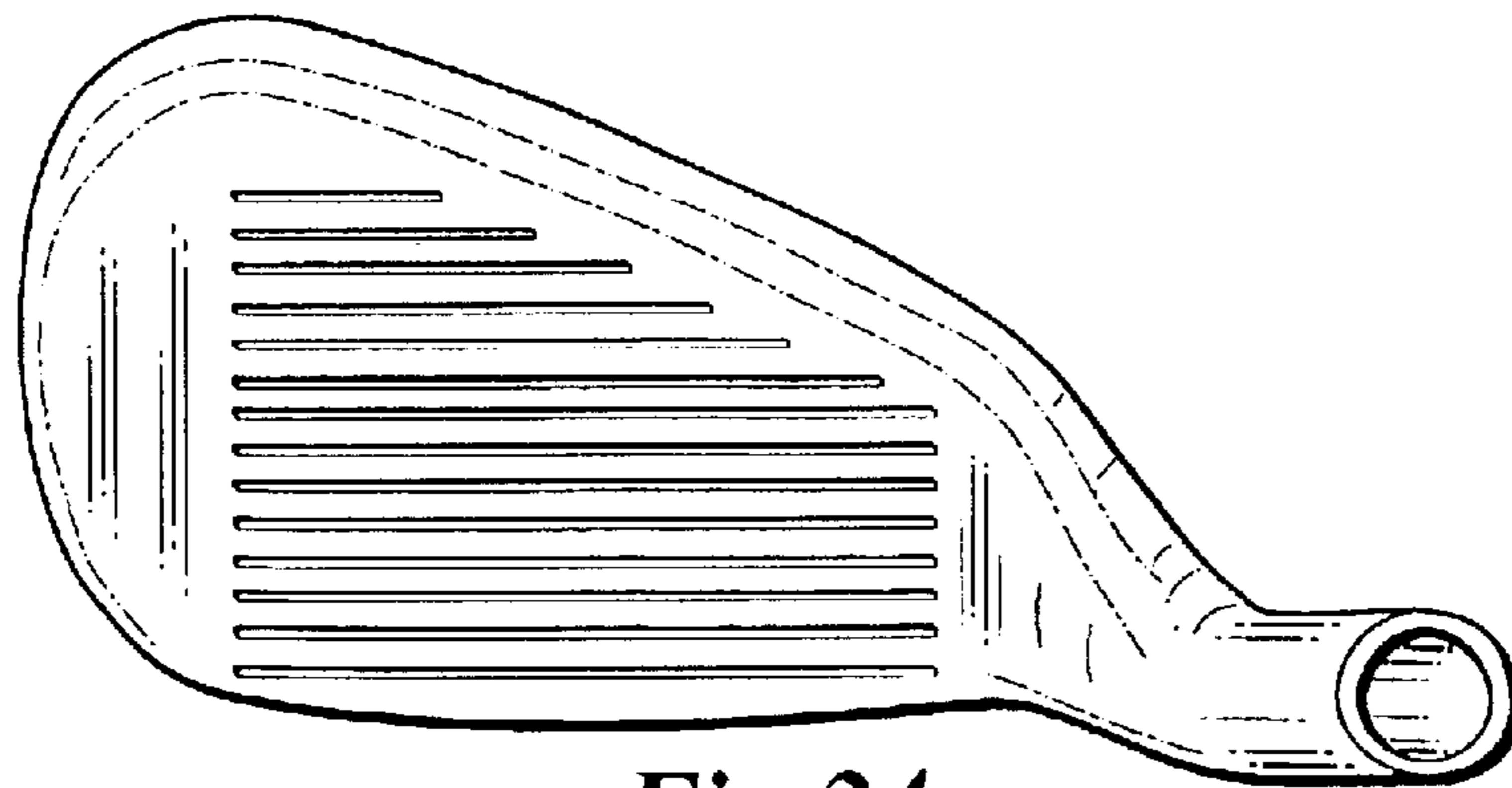


Fig. 24

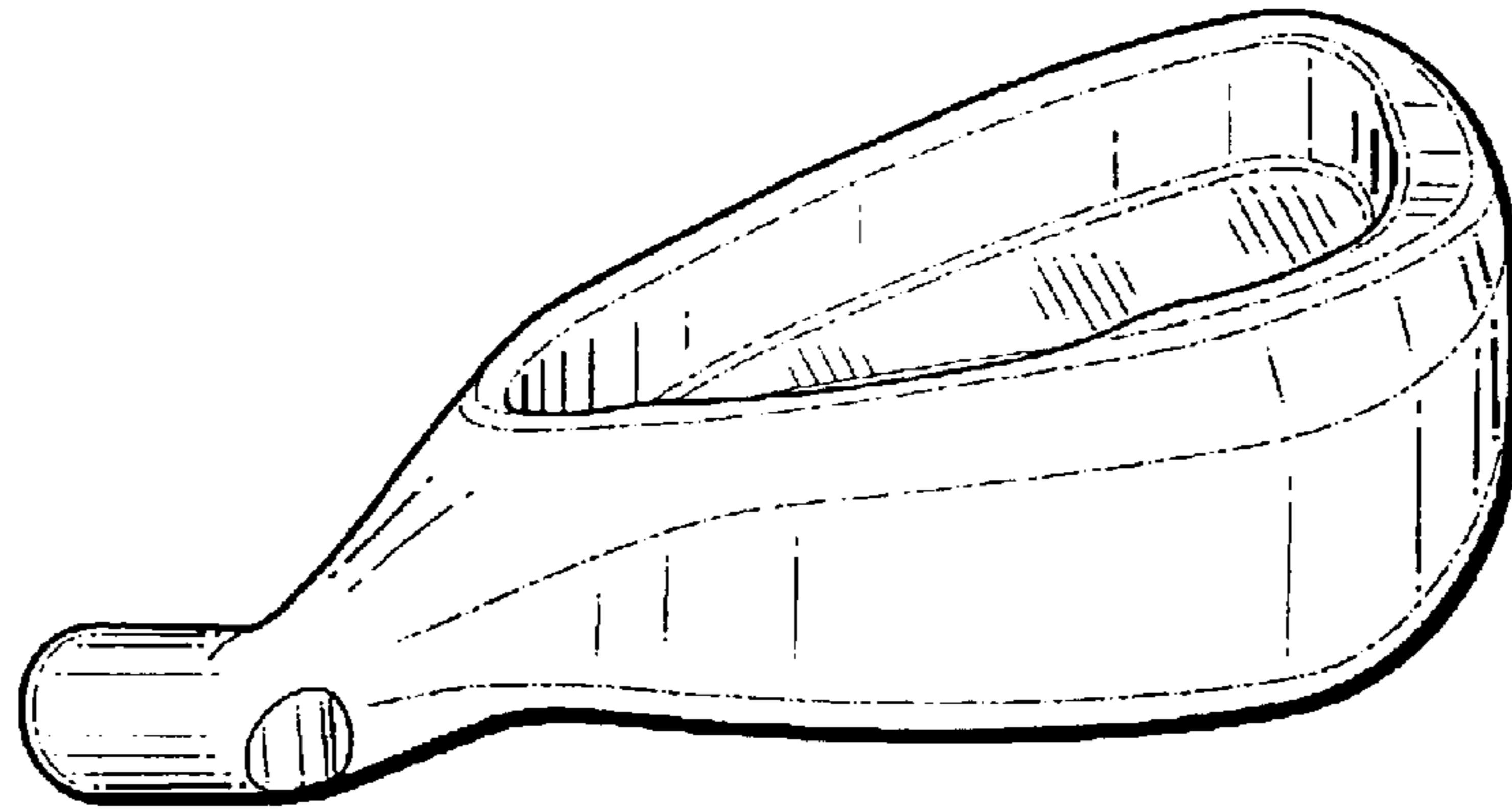


Fig.25

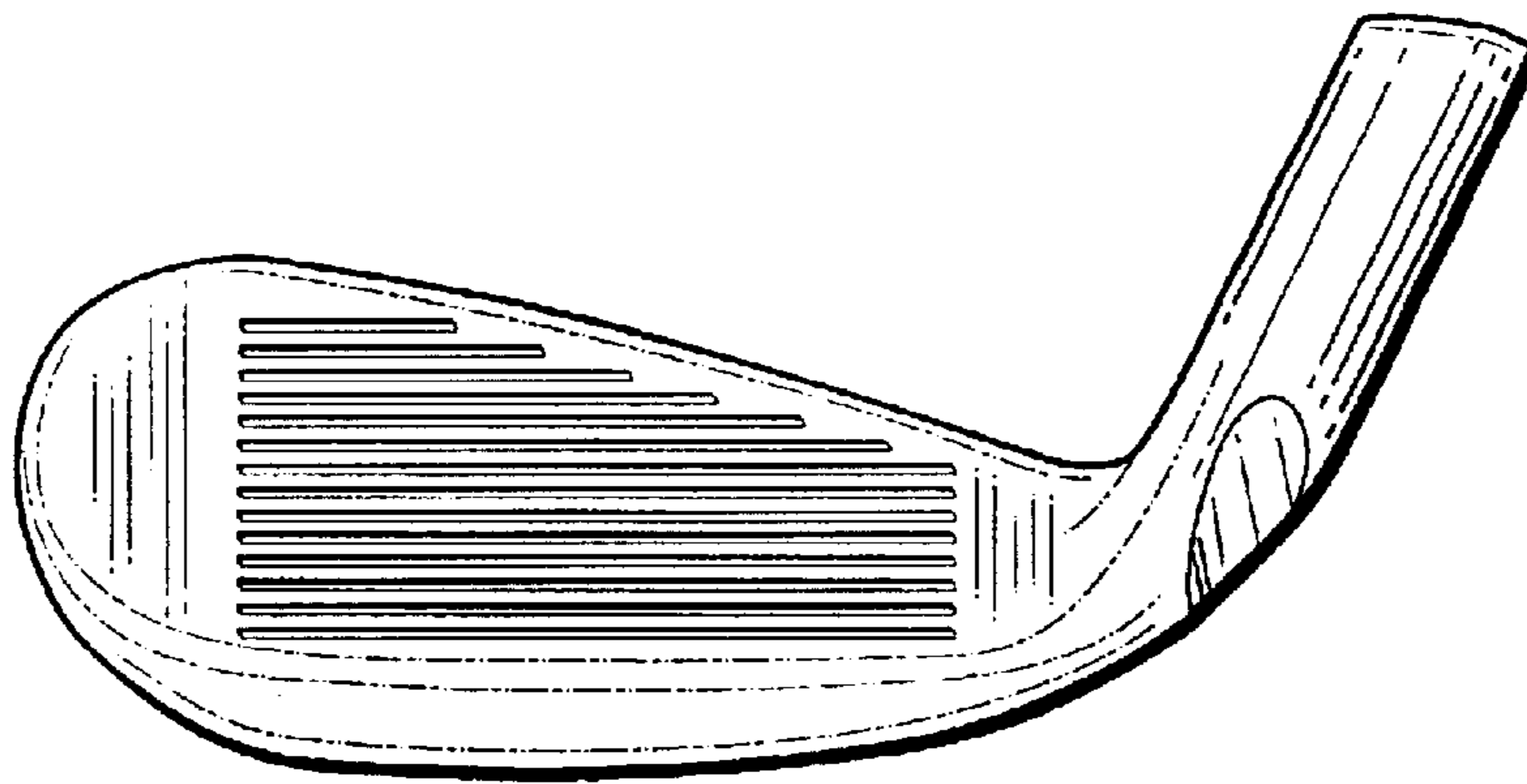


Fig.26

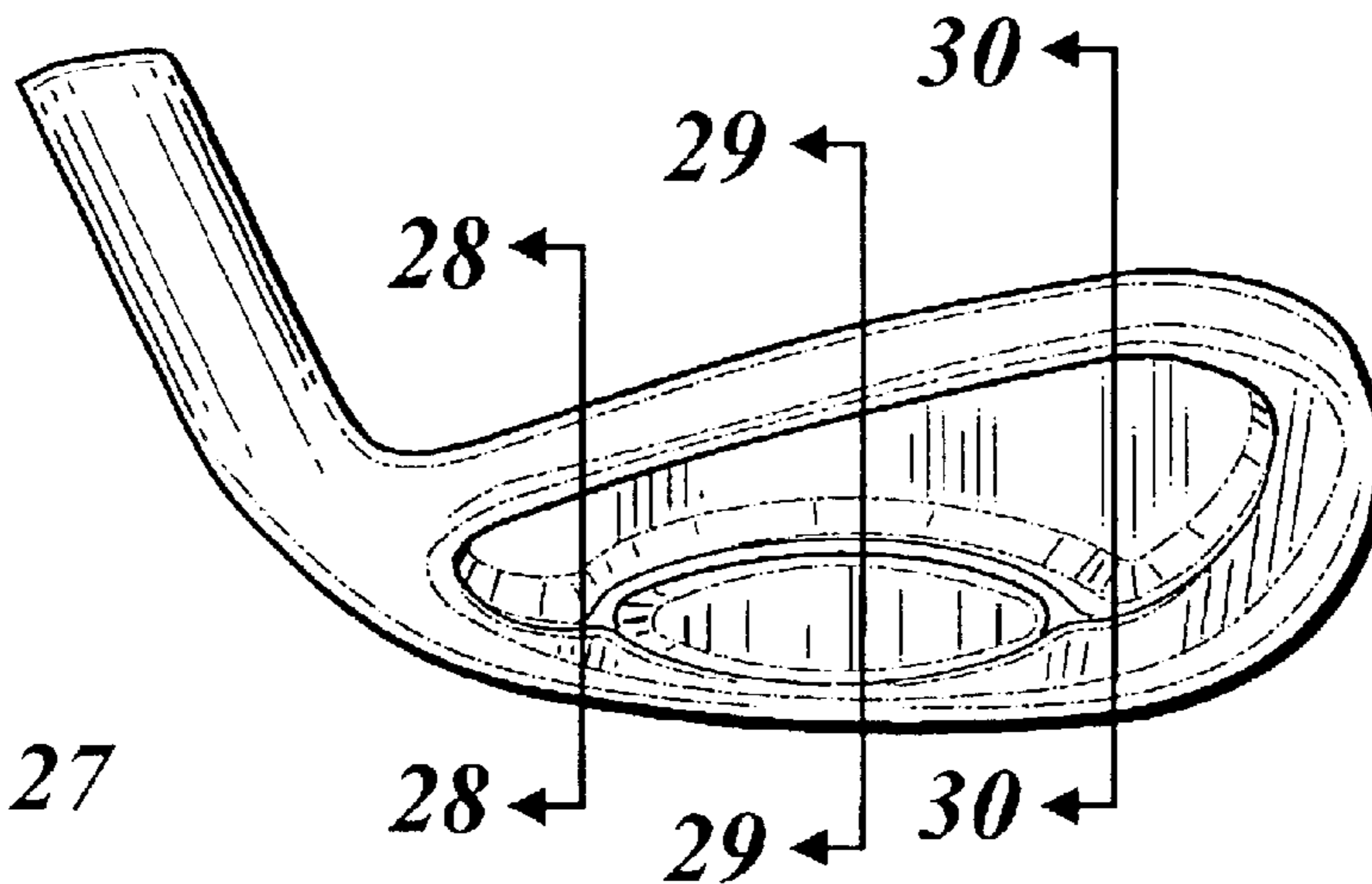


Fig.27

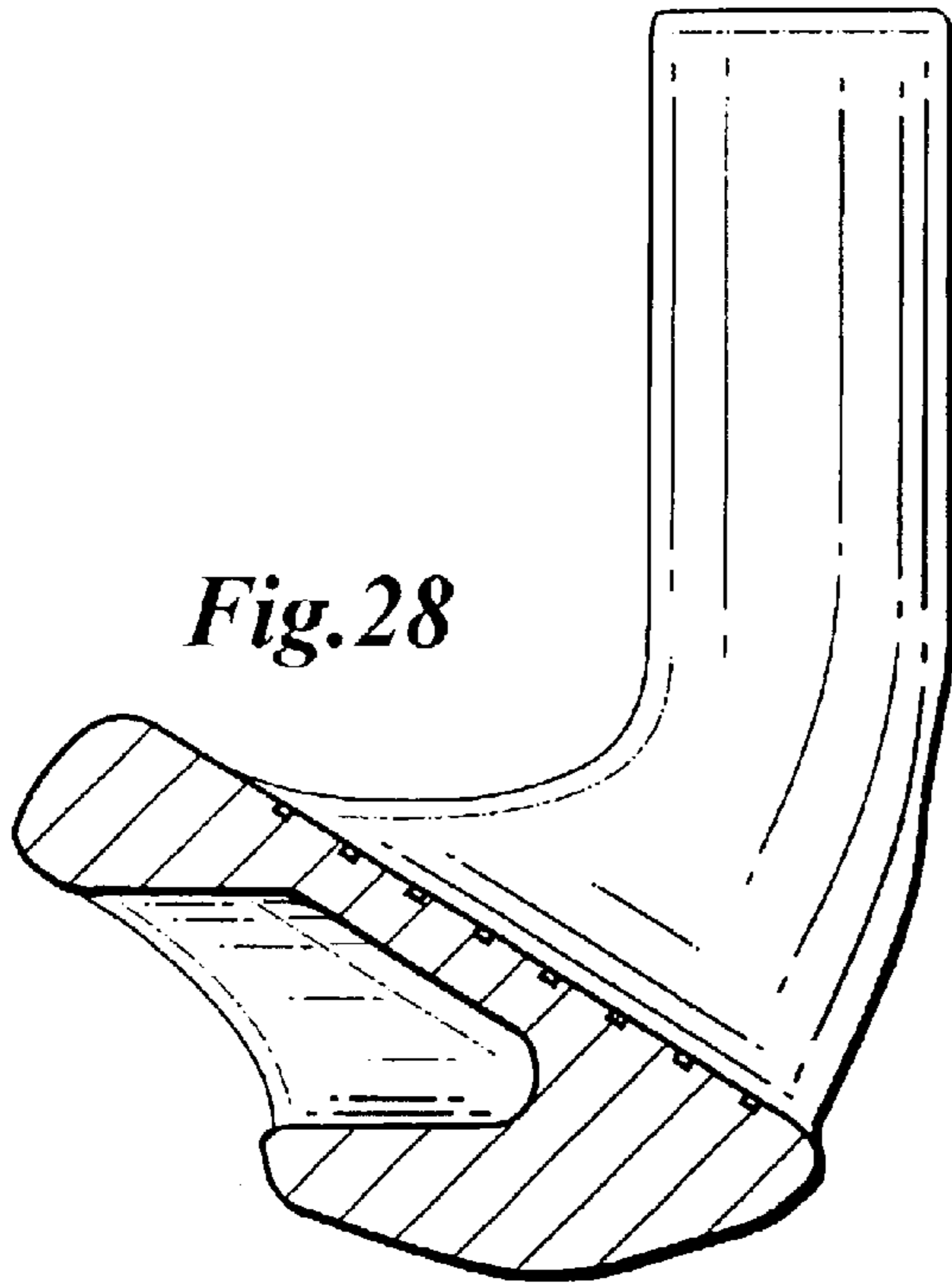


Fig. 29

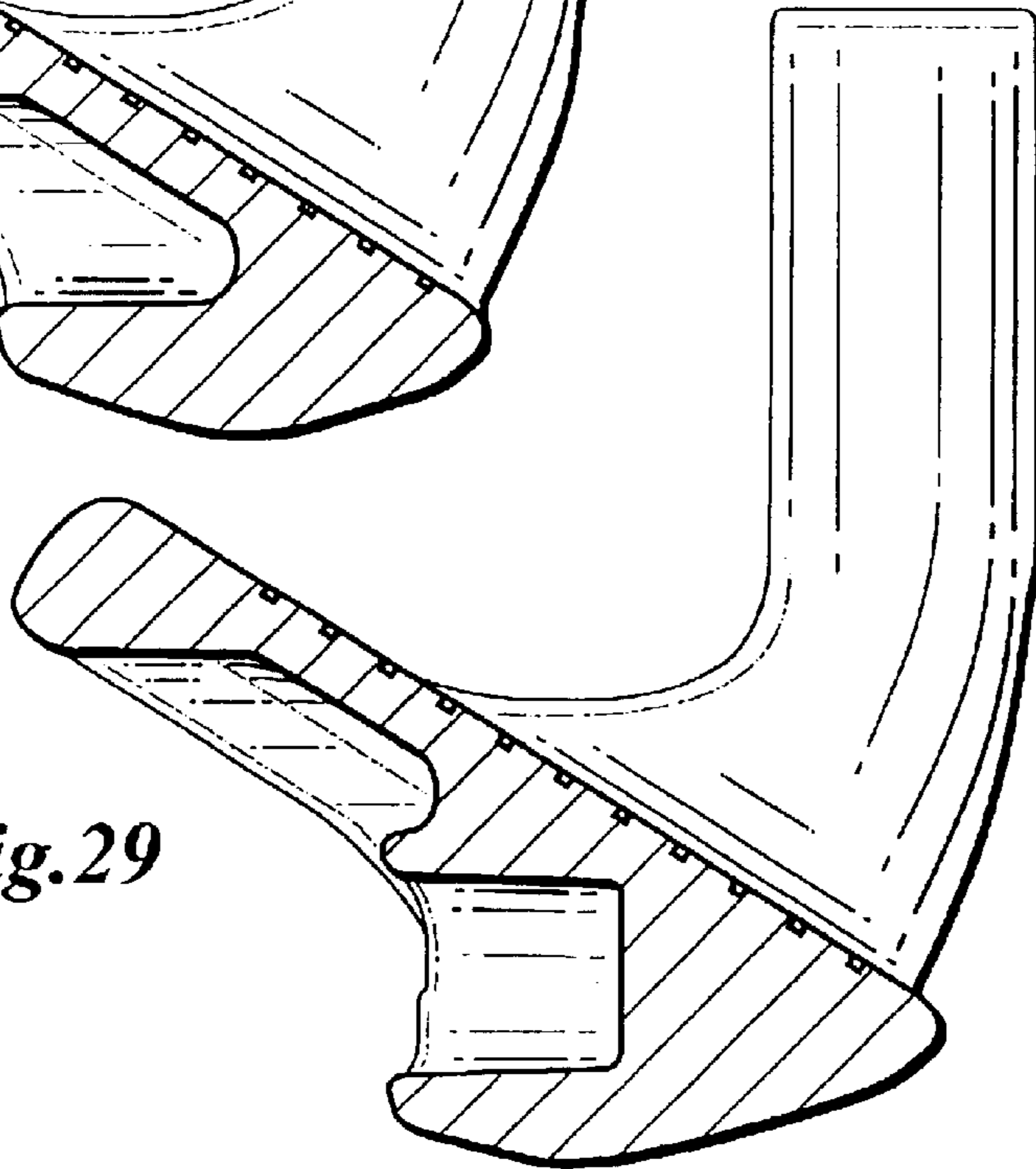


Fig. 30

