

US00D502236S

(12) **United States Design Patent**
Grace

(10) **Patent No.:** **US D502,236 S**
(45) **Date of Patent:** **** Feb. 22, 2005**

(54) **PORTION OF A GOLF PUTTER HEAD**

(75) Inventor: **Robert M. Grace**, St. Pete Beach, FL (US)

(73) Assignee: **MacGregor Golf Company**, Albany, GA (US)

(**) Term: **14 Years**

(21) Appl. No.: **29/203,712**

(22) Filed: **Apr. 20, 2004**

Related U.S. Application Data

(62) Division of application No. 10/248,342, filed on Jan. 10, 2003.

(51) **LOC (7) Cl.** **21-02**

(52) **U.S. Cl.** **D21/743; D21/759; D21/738**

(58) **Field of Search** **D21/736-746, D21/759; 473/324-331, 251-256, 242, 340, 341**

(56) **References Cited**

U.S. PATENT DOCUMENTS

2,954,231 A	9/1960	MacIntyre	
2,957,696 A	10/1960	Warpotas	
3,042,405 A	7/1962	Solheim	
3,143,349 A	8/1964	MacIntyre	
3,770,279 A	11/1973	Phinny	
D234,960 S	4/1975	Swash	
D234,961 S	4/1975	Swash	
D234,962 S	* 4/1975	Swash D21/739
4,010,958 A	3/1977	Long	
4,934,702 A	* 6/1990	Serizawa 473/251
D320,251 S	9/1991	Mermillod	
D320,638 S	10/1991	Mermillod	
5,058,895 A	10/1991	Igarashi	
5,080,365 A	1/1992	Winchell	
5,082,277 A	1/1992	Gingold	
5,344,151 A	9/1994	Anderson et al.	
D360,009 S	7/1995	Grace	
D364,907 S	12/1995	Estridge et al.	
5,564,990 A	10/1996	Weeks	

5,620,379 A	4/1997	Borys	
5,630,765 A	5/1997	Moore	
5,685,784 A	11/1997	Butler	
D389,539 S	* 1/1998	Moore D21/739
5,830,078 A	11/1998	McMahan	
6,059,669 A	5/2000	Pearce	
6,080,070 A	6/2000	Whitley	
D429,296 S	* 8/2000	Franzen D21/743
D435,276 S	* 12/2000	Mantelli D21/743
6,244,974 B1	6/2001	Hanberry, Jr.	
6,267,689 B1	7/2001	Ambrose	
D460,990 S	7/2002	Jung	
D461,860 S	* 8/2002	Tang D21/742
6,471,600 B2	10/2002	Tang et al.	
6,488,595 B1	12/2002	Grace	
D484,935 S	* 1/2004	Tang D21/738
6,716,110 B1	* 4/2004	Ballow 473/242
2003/0092503 A1	5/2003	Snowdon	
2003/0144077 A1	7/2003	Cullen	
2003/0023661 A1	12/2003	Greer, Jr.	
2003/0228925 A1	12/2003	Rohrer	
2003/0236130 A1	12/2003	Gammon, Jr.	

* cited by examiner

Primary Examiner—Mitchell Siegel

(74) *Attorney, Agent, or Firm*—Burns, Doane, Swecker & Mathis, L.L.P.

(57) **CLAIM**

The ornamental design for a portion of a golf putter head, as shown and described.

DESCRIPTION

FIG. 1 is a top perspective view of a portion of a golf putter head showing my new design.

FIG. 2 is a top plan view thereof.

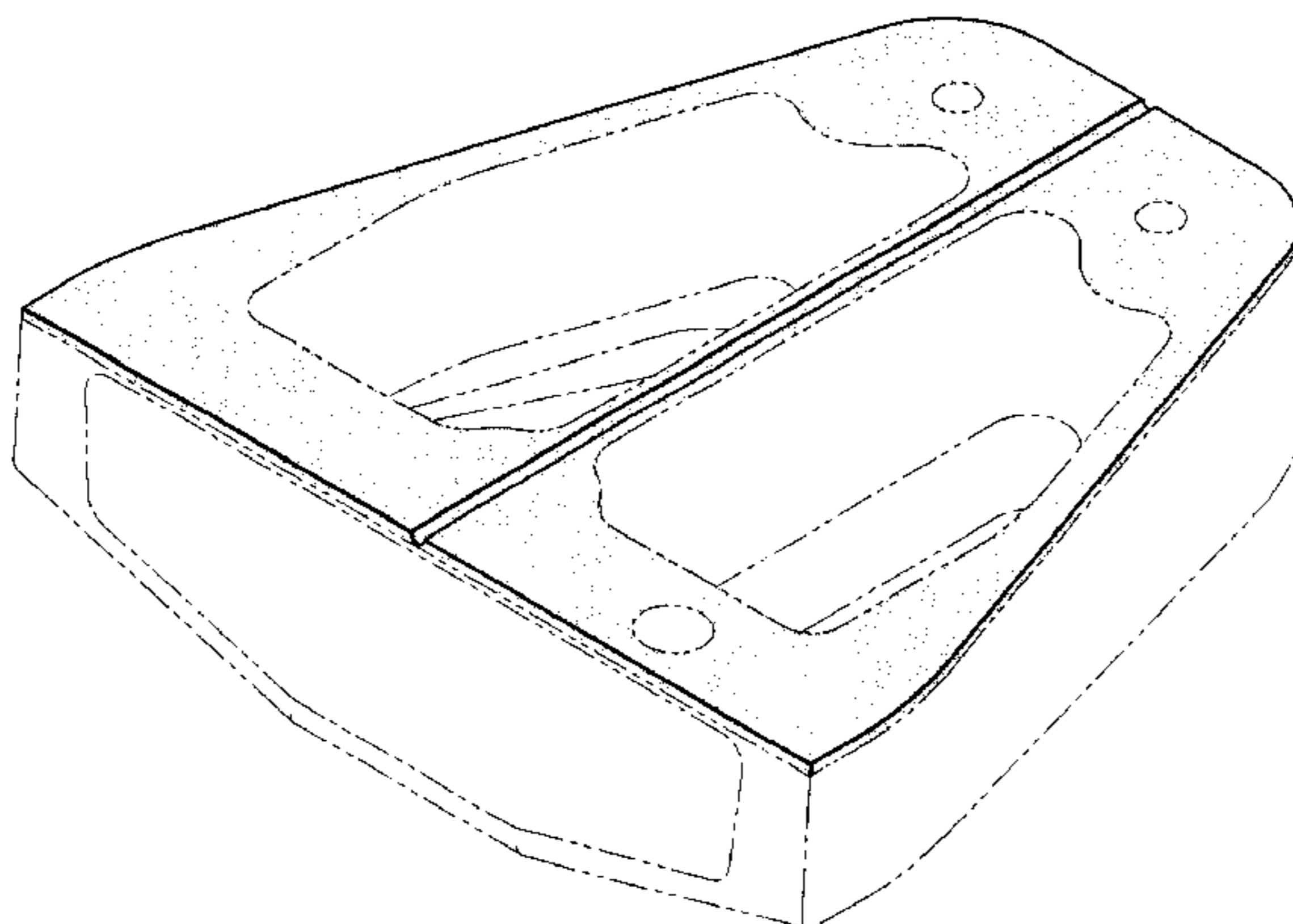
FIG. 3 is a rear elevational view thereof.

FIG. 4 is a right side elevational view thereof; the other side being a mirror image thereof; and,

FIG. 5 is a further top perspective view thereof.

The broken line showing of various portions of the golf putter head and golf club is for illustrative purposes only and forms no part of the claimed design.

1 Claim, 2 Drawing Sheets



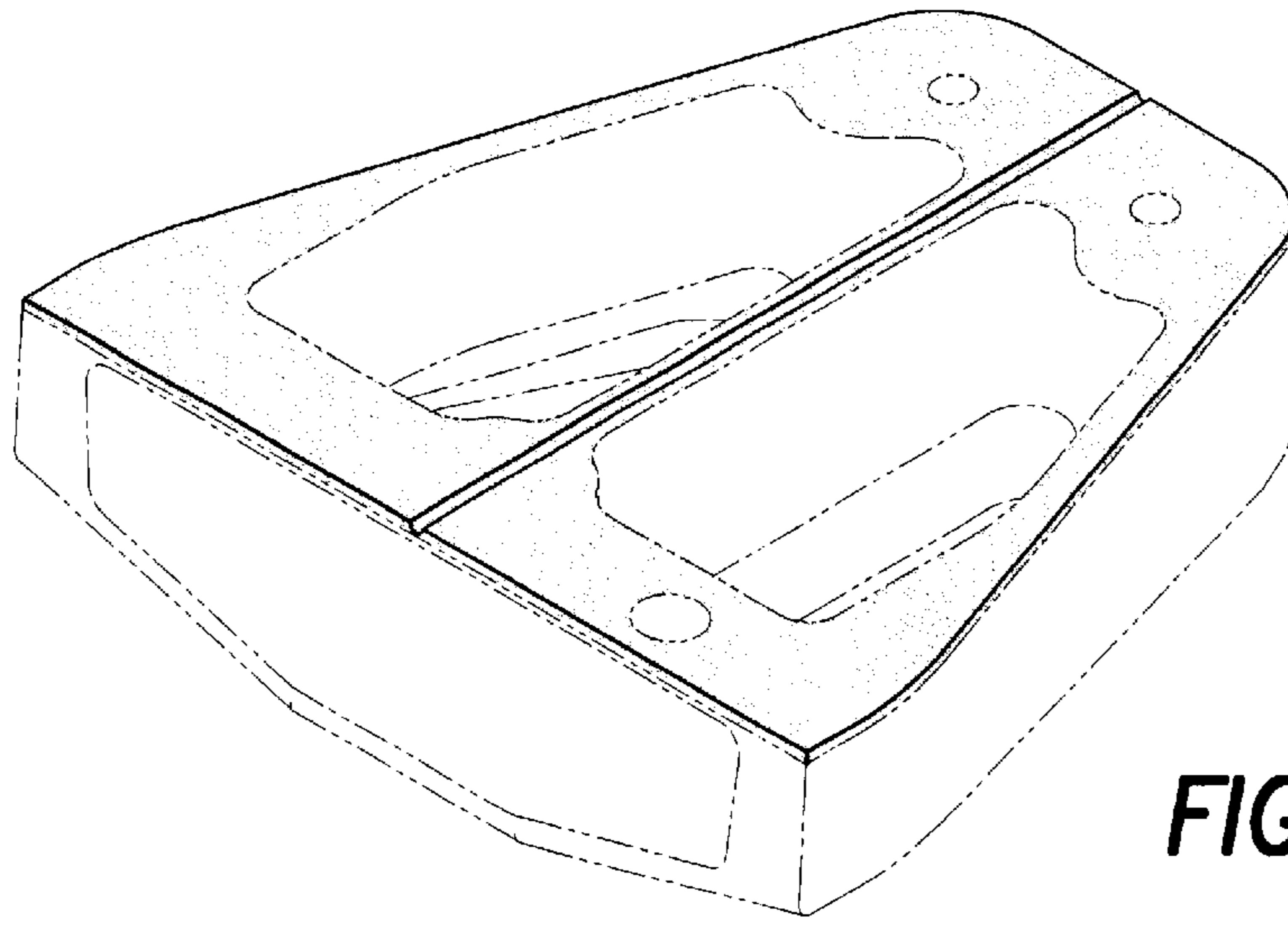


FIG. 1

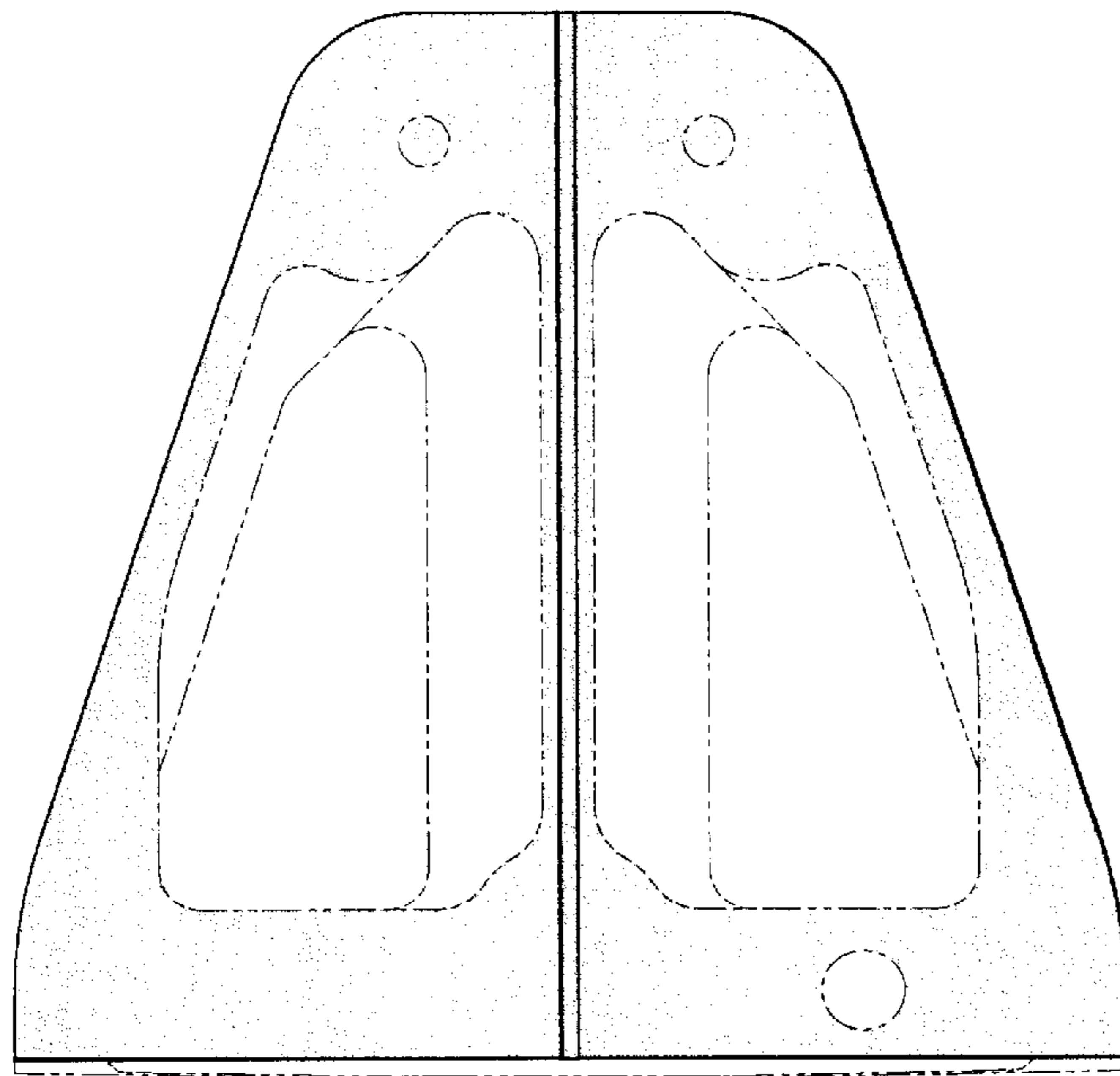


FIG. 2

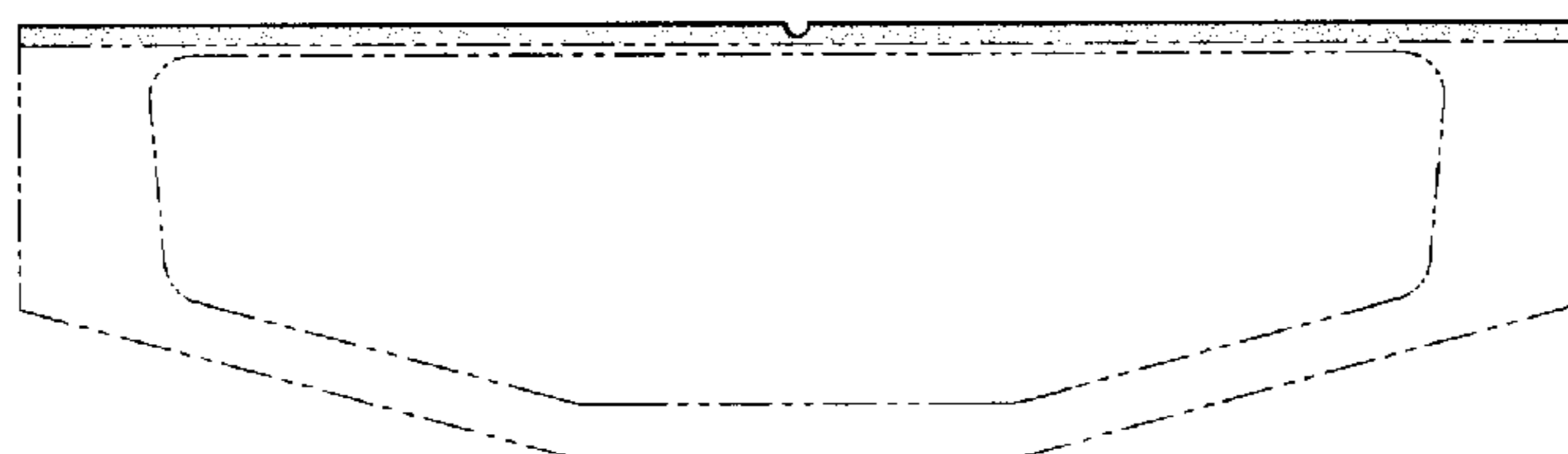


FIG. 3

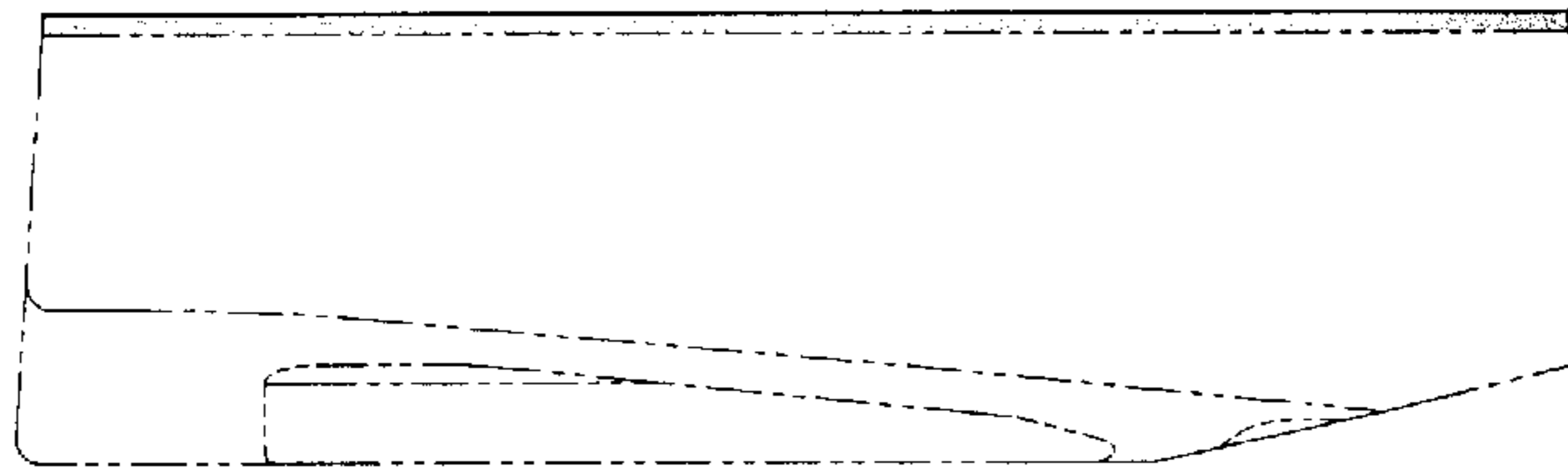


FIG. 4

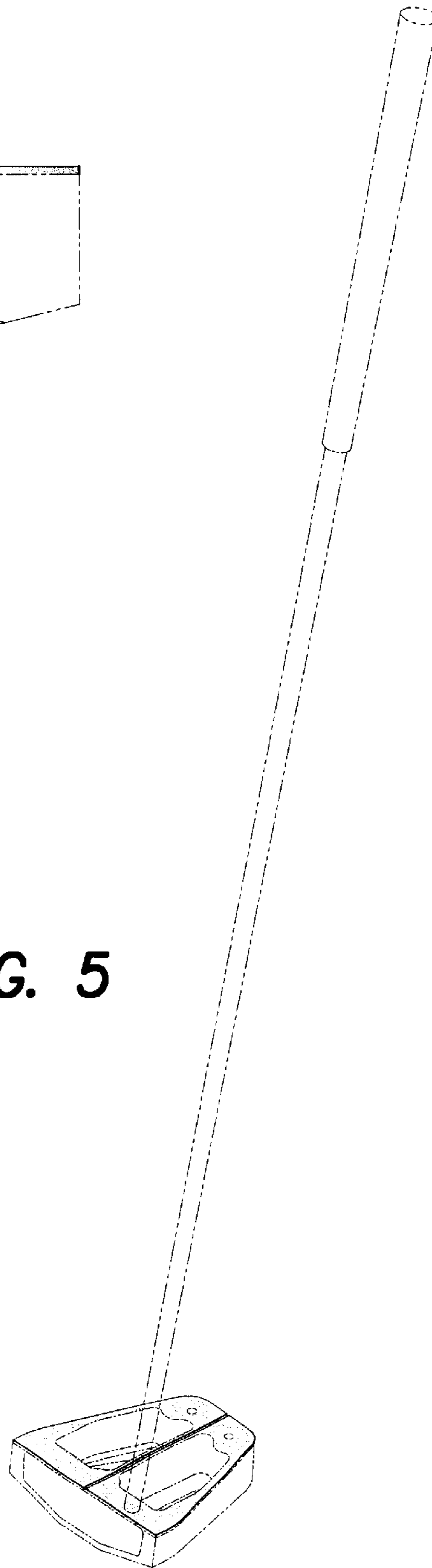


FIG. 5