

US00D502235S

(12) **United States Design Patent** (10) **Patent No.:** **US D502,235 S**  
**Burrows** (45) **Date of Patent:** **\*\* Feb. 22, 2005**

- (54) **GOLF CLUB PUTTER HEAD**  
(75) Inventor: **Bruce D. Burrows**, Valencia, CA (US)  
(73) Assignee: **Burrows Golf, LLC**, Valencia, CA (US)  
(\*\*) Term: **14 Years**  
(21) Appl. No.: **29/197,861**  
(22) Filed: **Jan. 20, 2004**  
(51) **LOC (7) Cl.** ..... **21-02**  
(52) **U.S. Cl.** ..... **D21/742; D21/738**  
(58) **Field of Search** ..... **D21/736-746;**  
**473/324-331, 340, 341, 251-256**

(56) **References Cited**

**U.S. PATENT DOCUMENTS**

3,064,975	A	11/1962	Smith	
D317,034	S	5/1991	Pelz	
D317,962	S	7/1991	Pelz	
5,676,606	A	10/1997	Schaeffer	
5,720,674	A	2/1998	Galy	
D396,896	S	* 8/1998	Casteel	..... D21/742
5,971,867	A	10/1999	Galy	
5,989,134	A	11/1999	Antonious	
6,017,280	A	1/2000	Hubert	
6,217,461	B1	4/2001	Galy	
D457,586	S	5/2002	Tang et al.	
D458,656	S	6/2002	Tang et al.	
D461,515	S	8/2002	Tang et al.	
D461,860	S	8/2002	Tang	
6,440,009	B1	8/2002	Guibaud et al.	
6,471,600	B2	10/2002	Tang	
D467,985	S	12/2002	Tang et al.	
6,506,125	B2	1/2003	Helmstetter	
D472,594	S	4/2003	Tang et al.	
D472,595	S	4/2003	Tang et al.	
D475,106	S	5/2003	Tang et al.	
D477,041	S	* 7/2003	Cameron	..... D21/742
6,663,497	B2	12/2003	Cameron	
D493,857	S	* 8/2004	Cameron	..... D21/738
2003/0036438	A1	2/2003	Tang	

\* cited by examiner

*Primary Examiner*—Mitchell Siegel  
(74) *Attorney, Agent, or Firm*—Kelly Lowry & Kelley, LLP

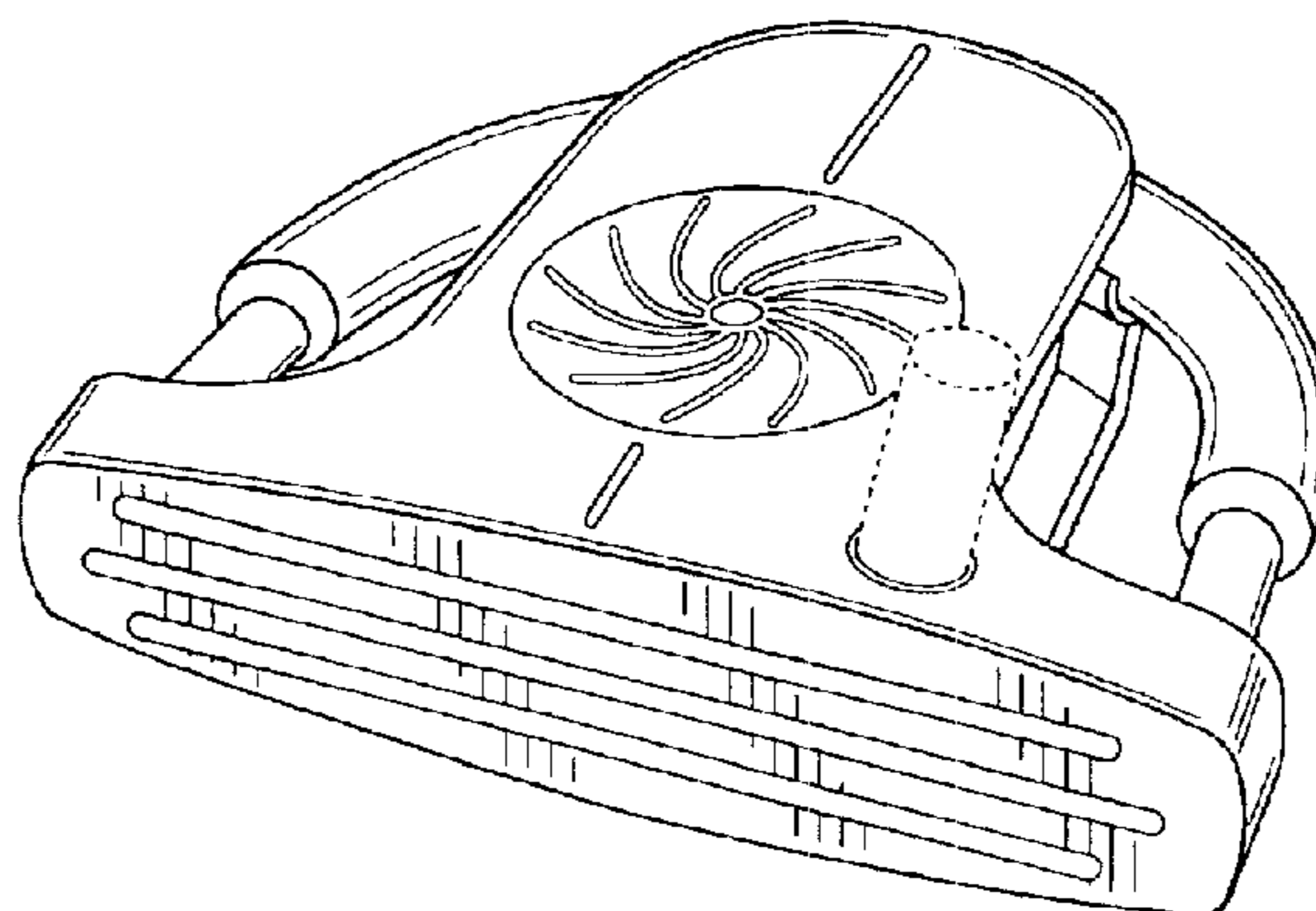
(57) **CLAIM**

The ornamental design for a golf club putter head, as shown.

**DESCRIPTION**

FIG. 1 is a perspective view showing the front, top and heel end sides of a golf club putter head embodying the new design;  
FIG. 2 is a front elevational view thereof;  
FIG. 3 is a rear elevational view thereof;  
FIG. 4 is a heel end elevational view thereof;  
FIG. 5 is a toe end elevational view thereof;  
FIG. 6 is a top plan view thereof;  
FIG. 7 is a bottom plan view thereof;  
FIG. 8 is a perspective view showing the top, front and heel end sides of the golf club putter head in accordance with one alternative embodiment thereof;  
FIG. 9 is a front elevational view of the embodiment of FIG. 8;  
FIG. 10 is a perspective view showing the top, front and heel end sides of another alternative embodiment of the golf club putter head embodying the new design;  
FIG. 11 is a front elevational view of the embodiment of FIG. 10;  
FIG. 12 is a perspective view showing the top, front and heel end sides of a further alternative embodiment of the golf club putter head embodying the new design;  
FIG. 13 is a front elevational view of the embodiment of FIG. 12;  
FIG. 14 is a perspective view showing the top, front and heel end sides of the gold club putter head in accordance with another alternative embodiment thereof; and,  
FIG. 15 is a front elevational view of the embodiment of FIG. 14.  
The undisclosed sides of the alternative embodiments of FIGS. 8-15 are identical to FIGS. 3-7.

**1 Claim, 7 Drawing Sheets**



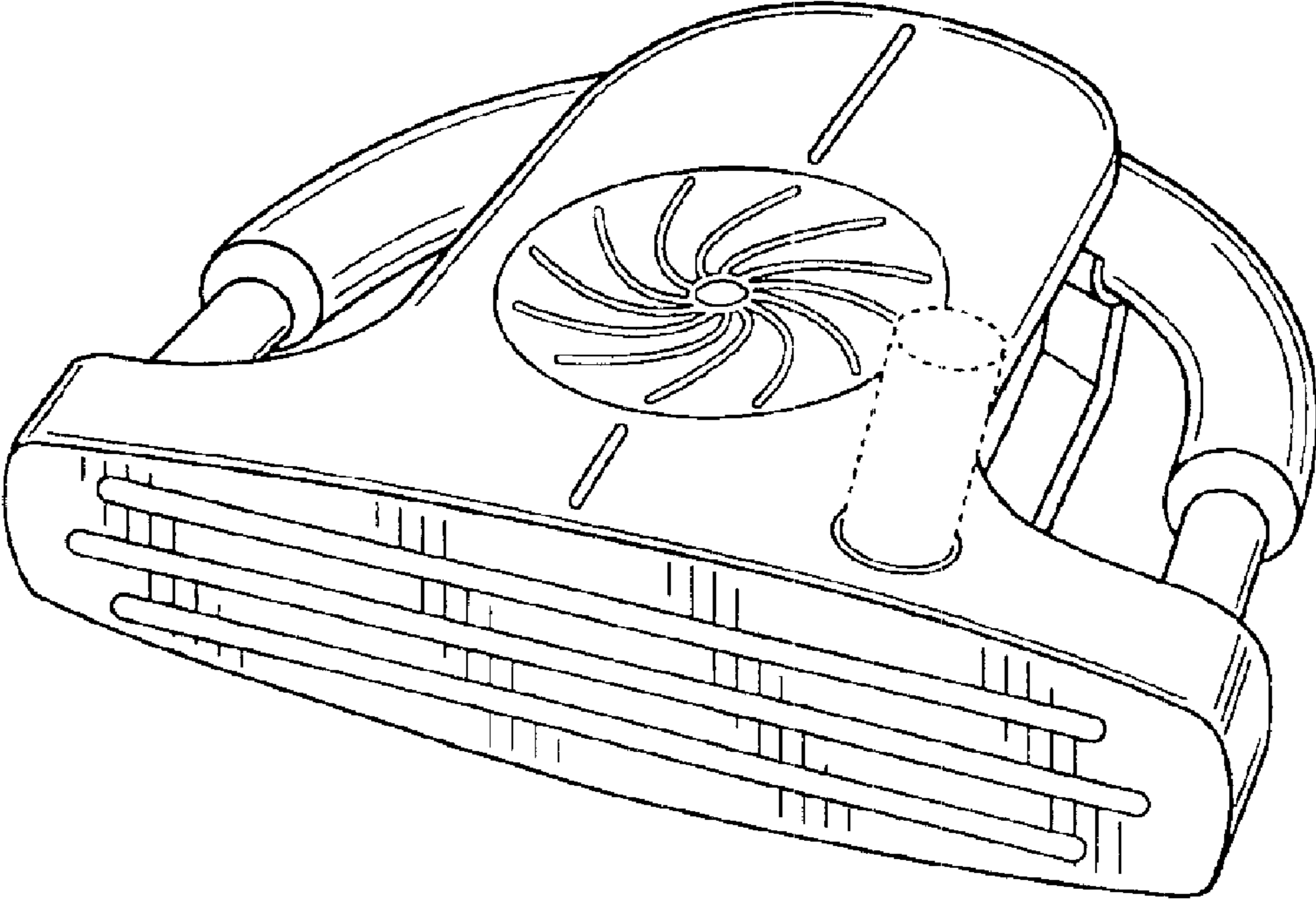


FIG. 1

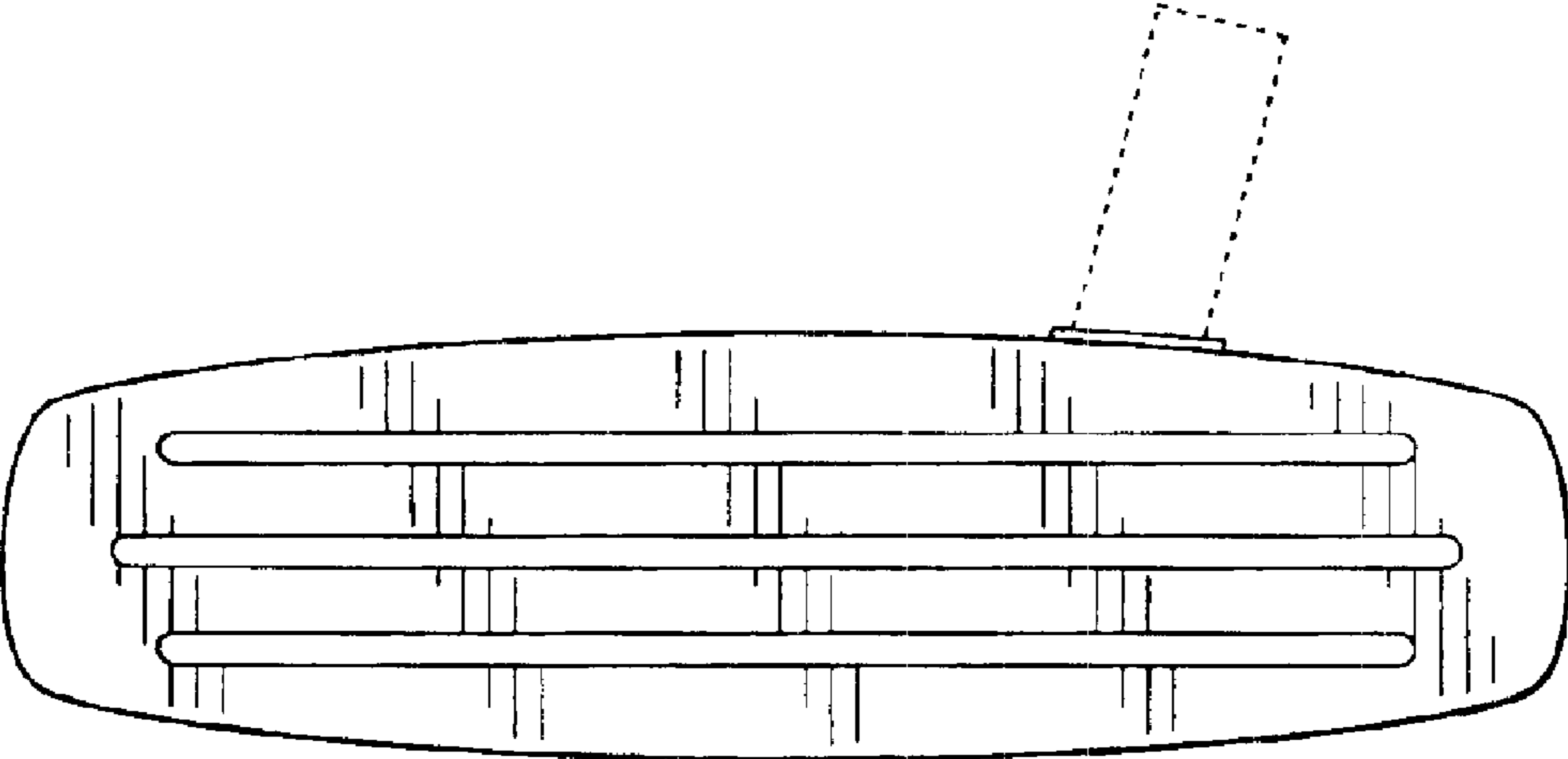


FIG. 2

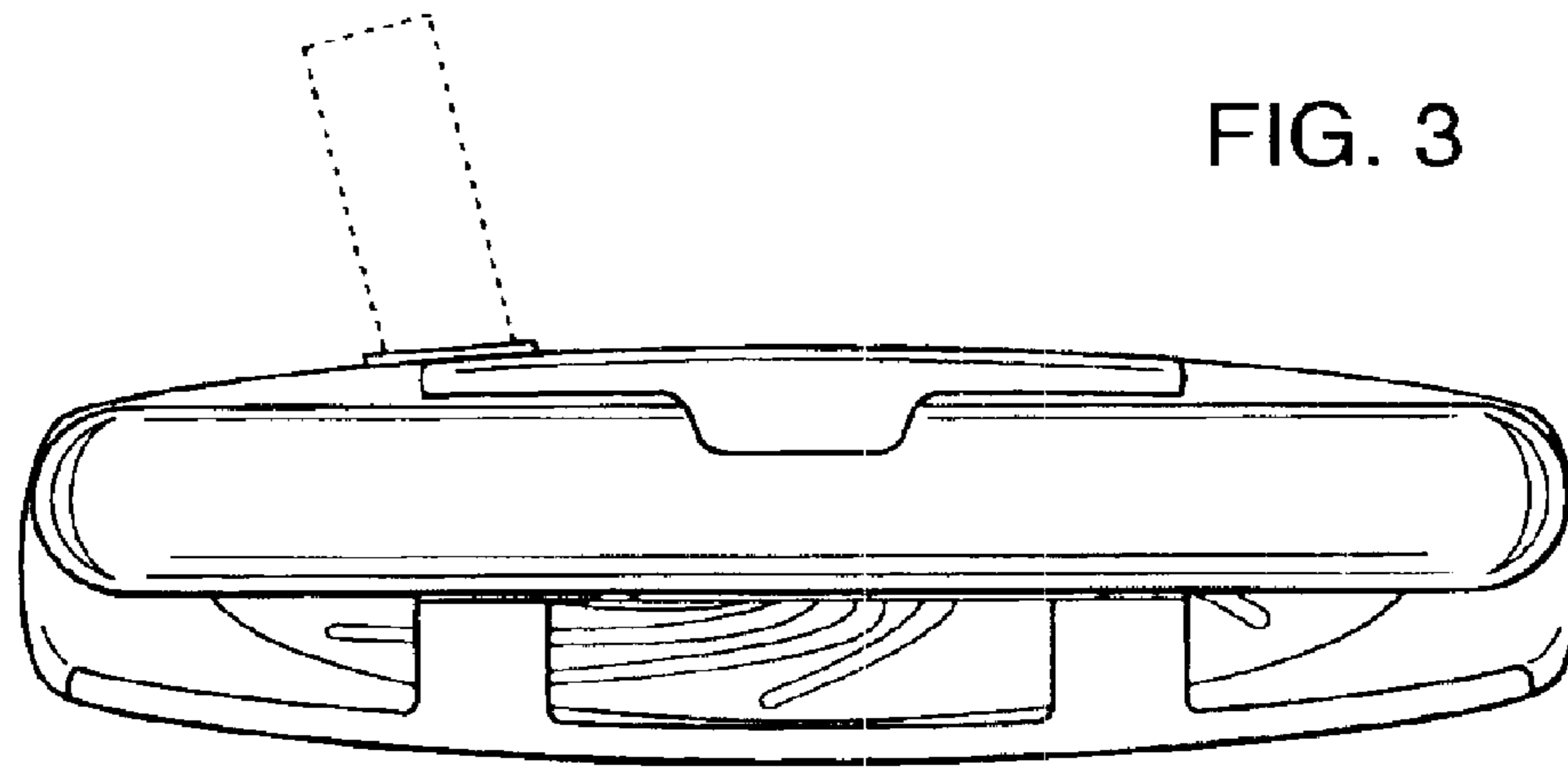


FIG. 3

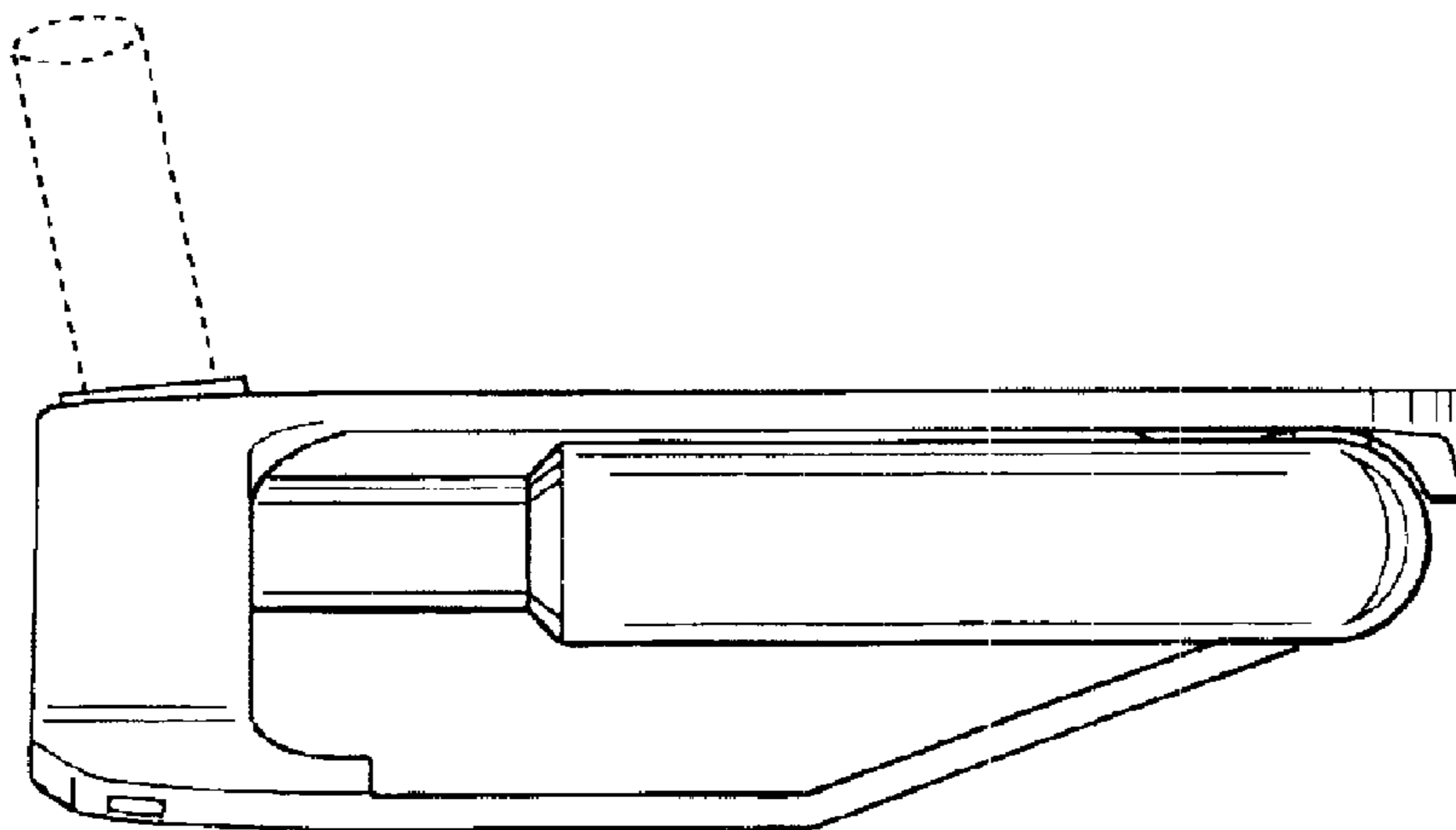


FIG. 4

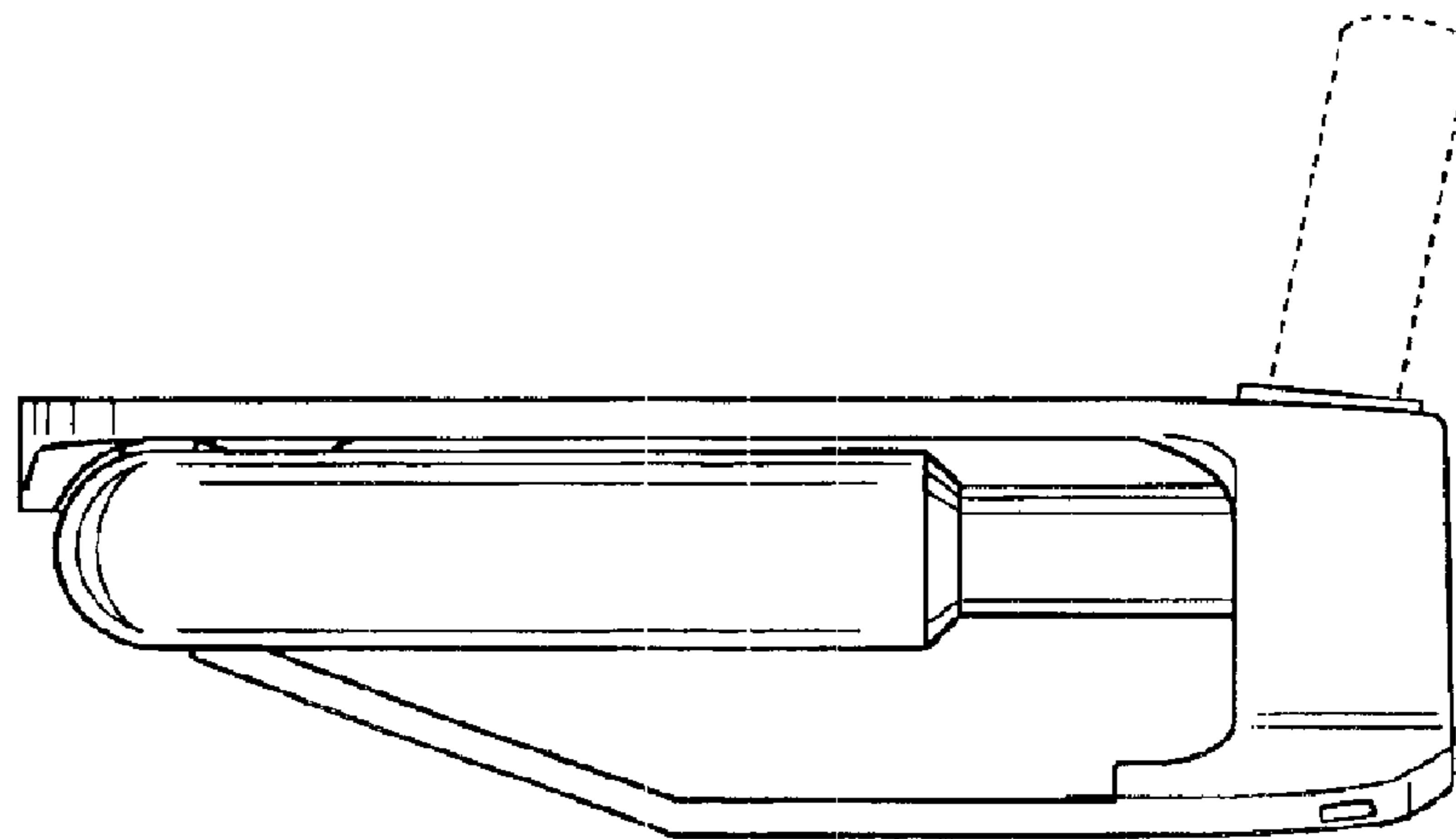


FIG. 5

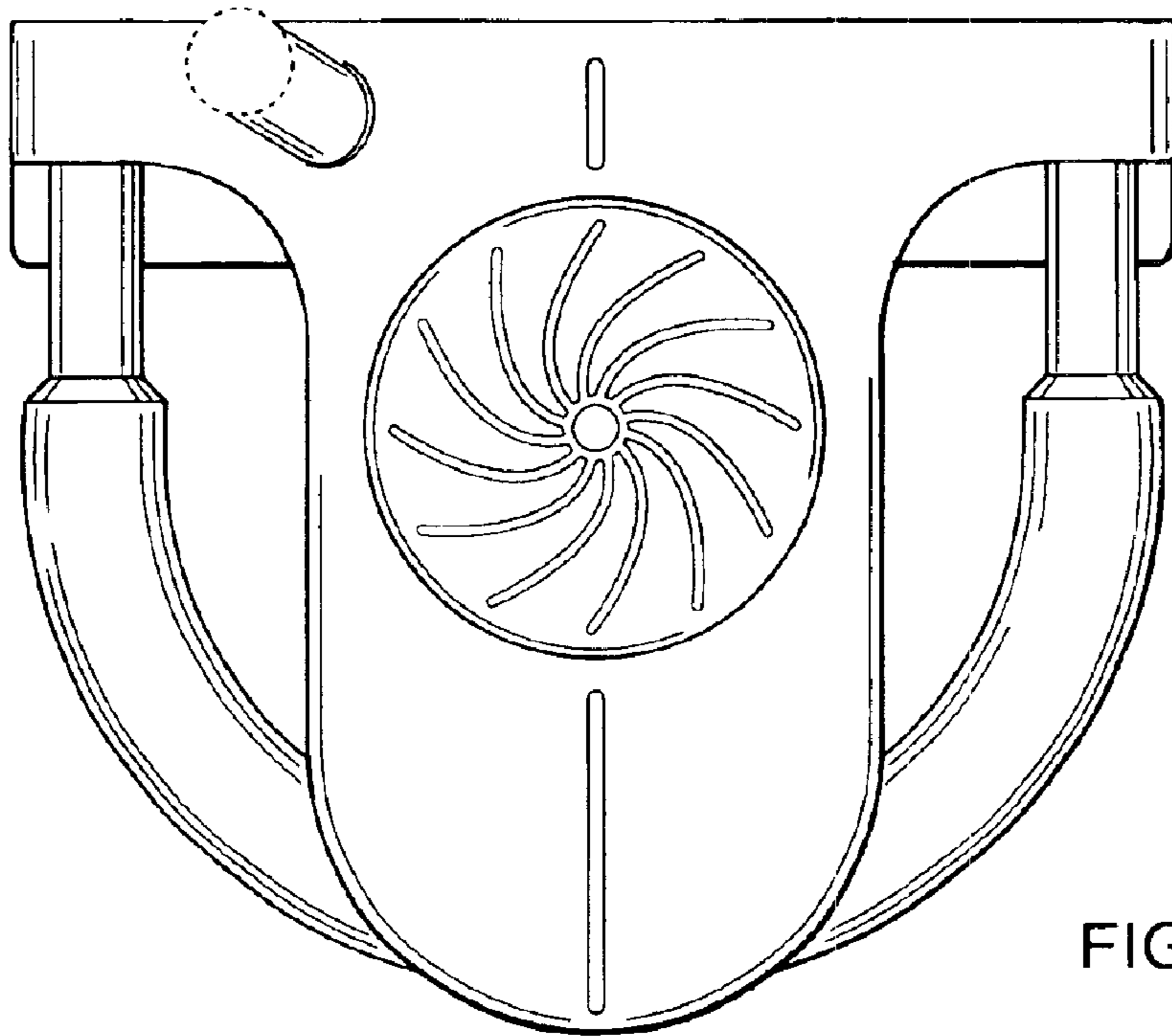


FIG. 6

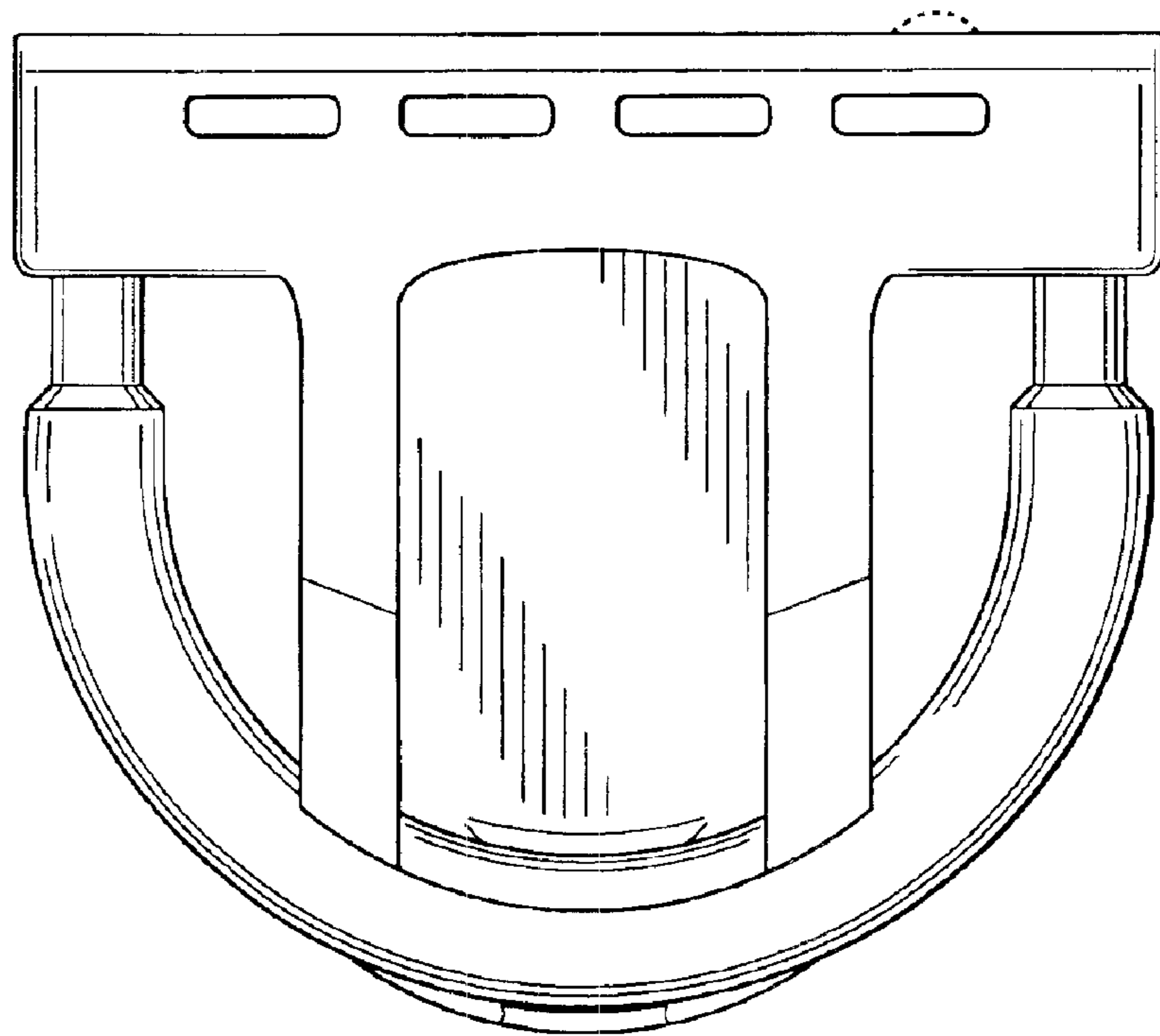


FIG. 7

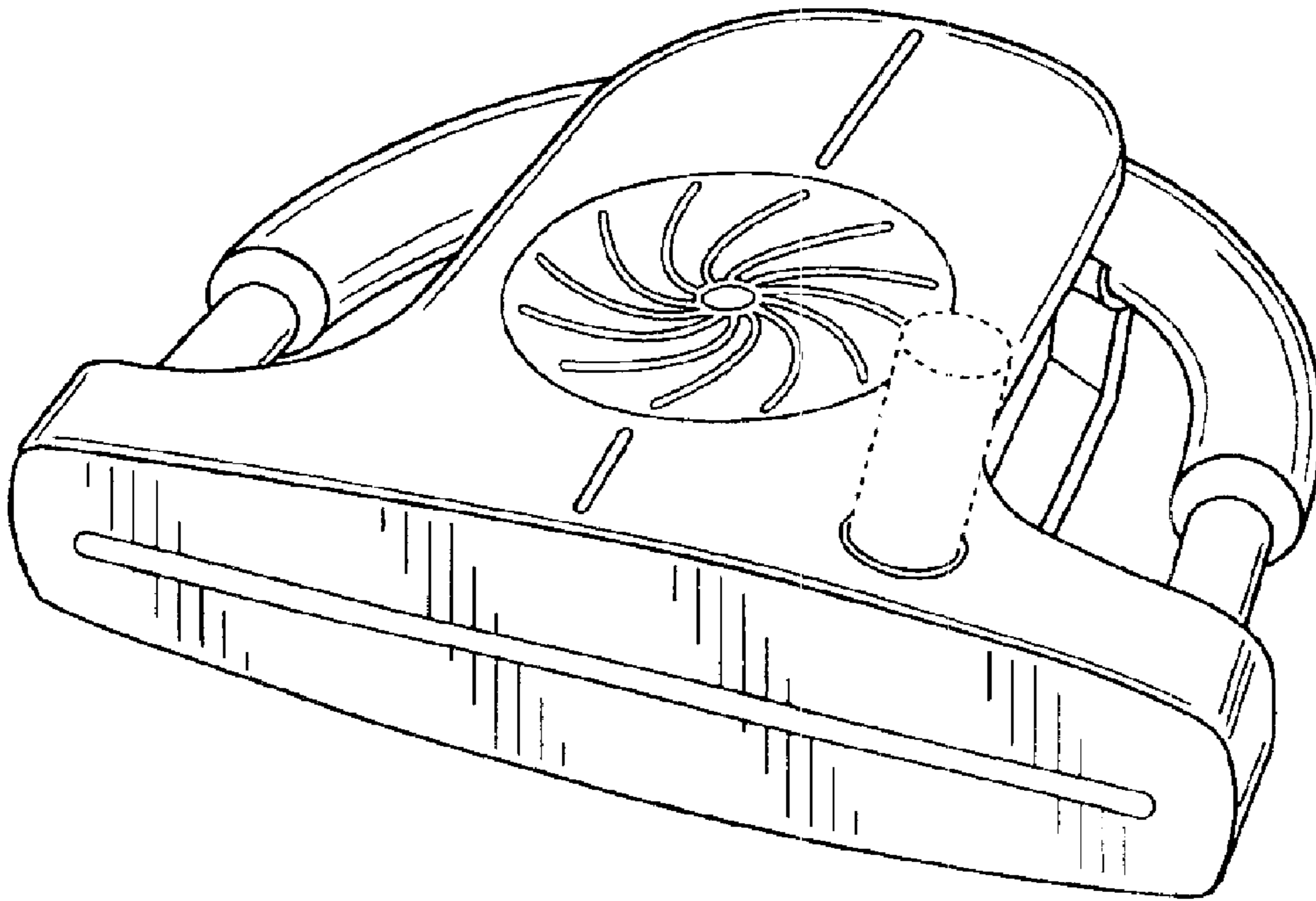


FIG. 8

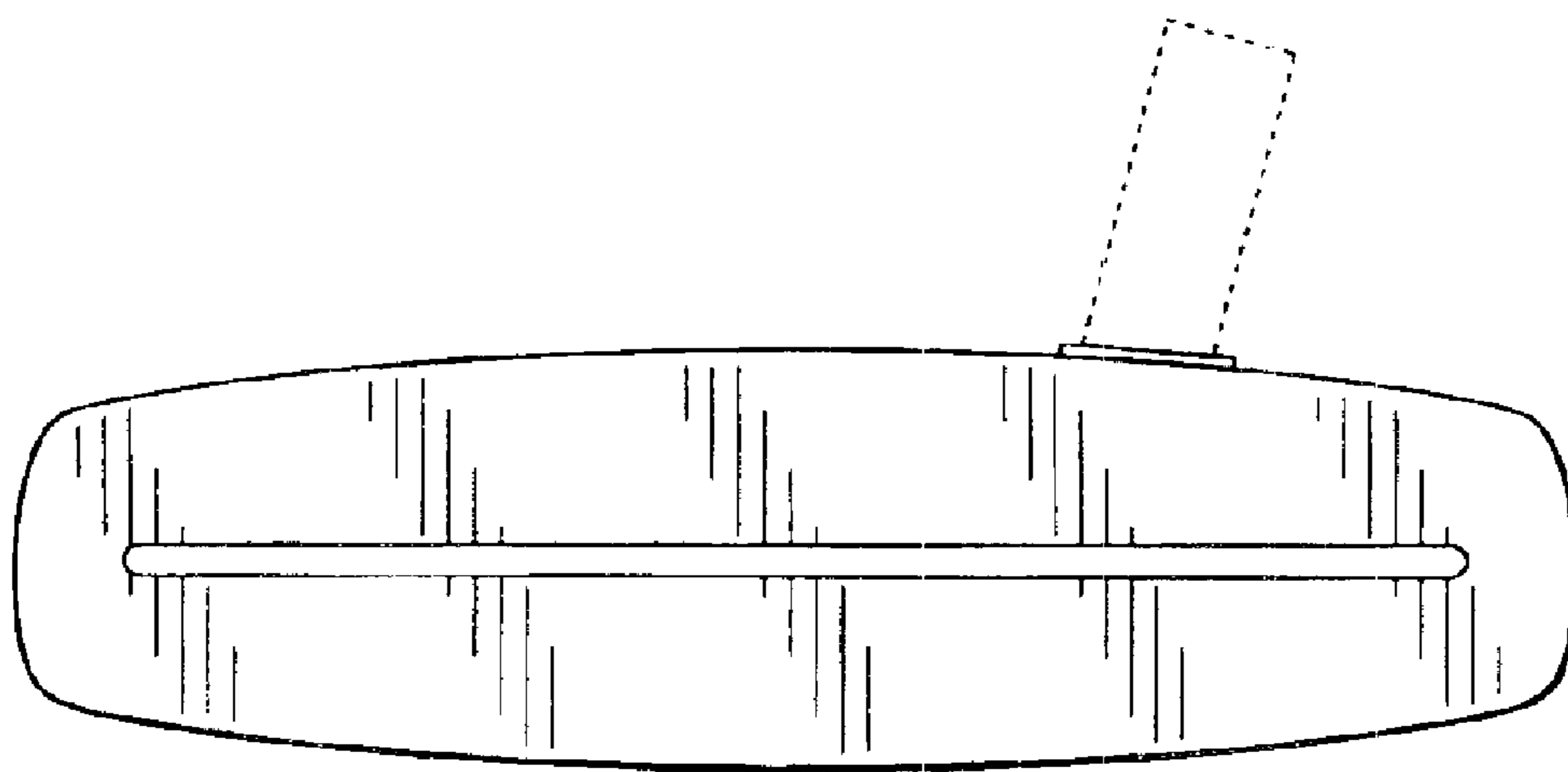


FIG. 9

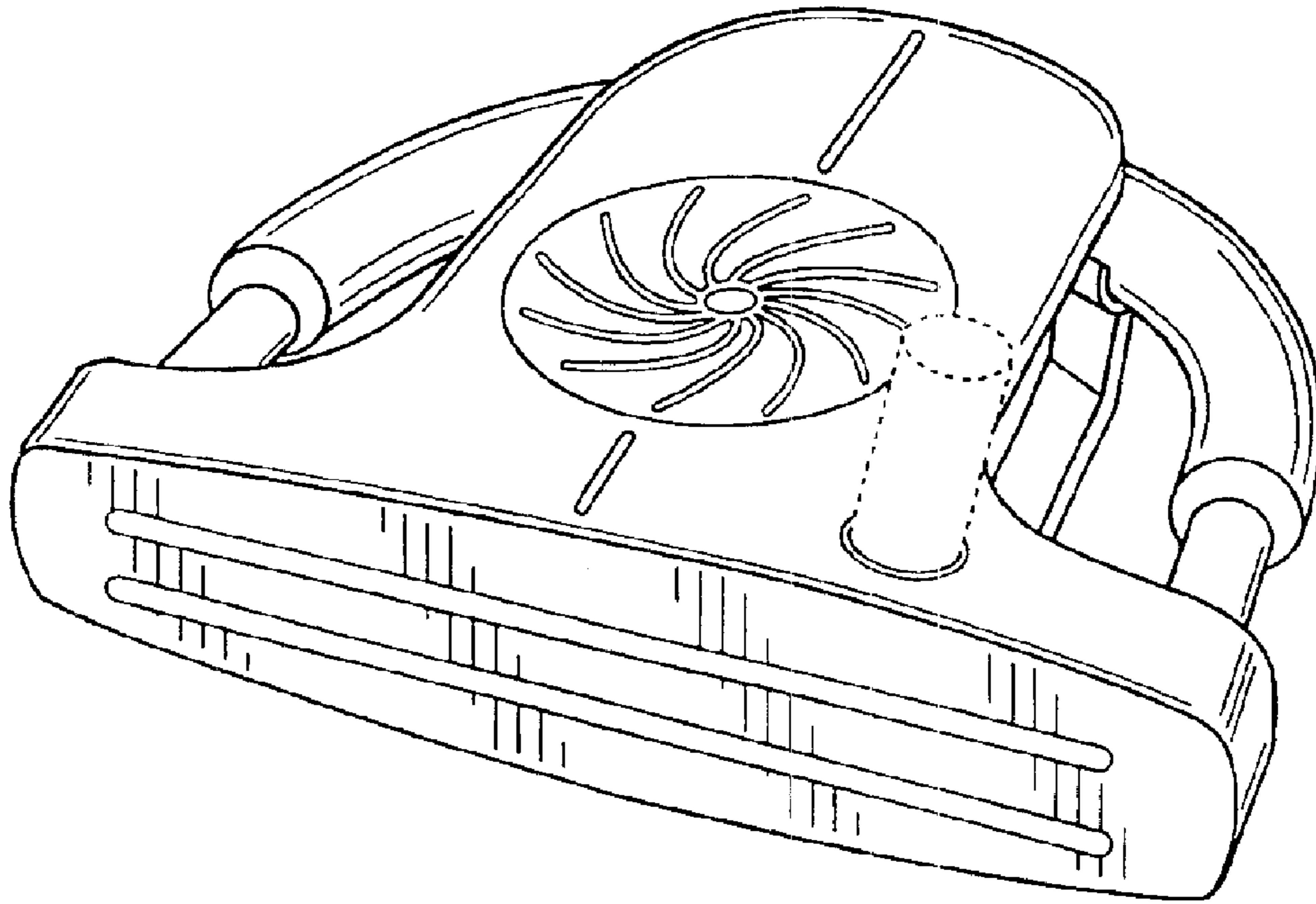


FIG. 10

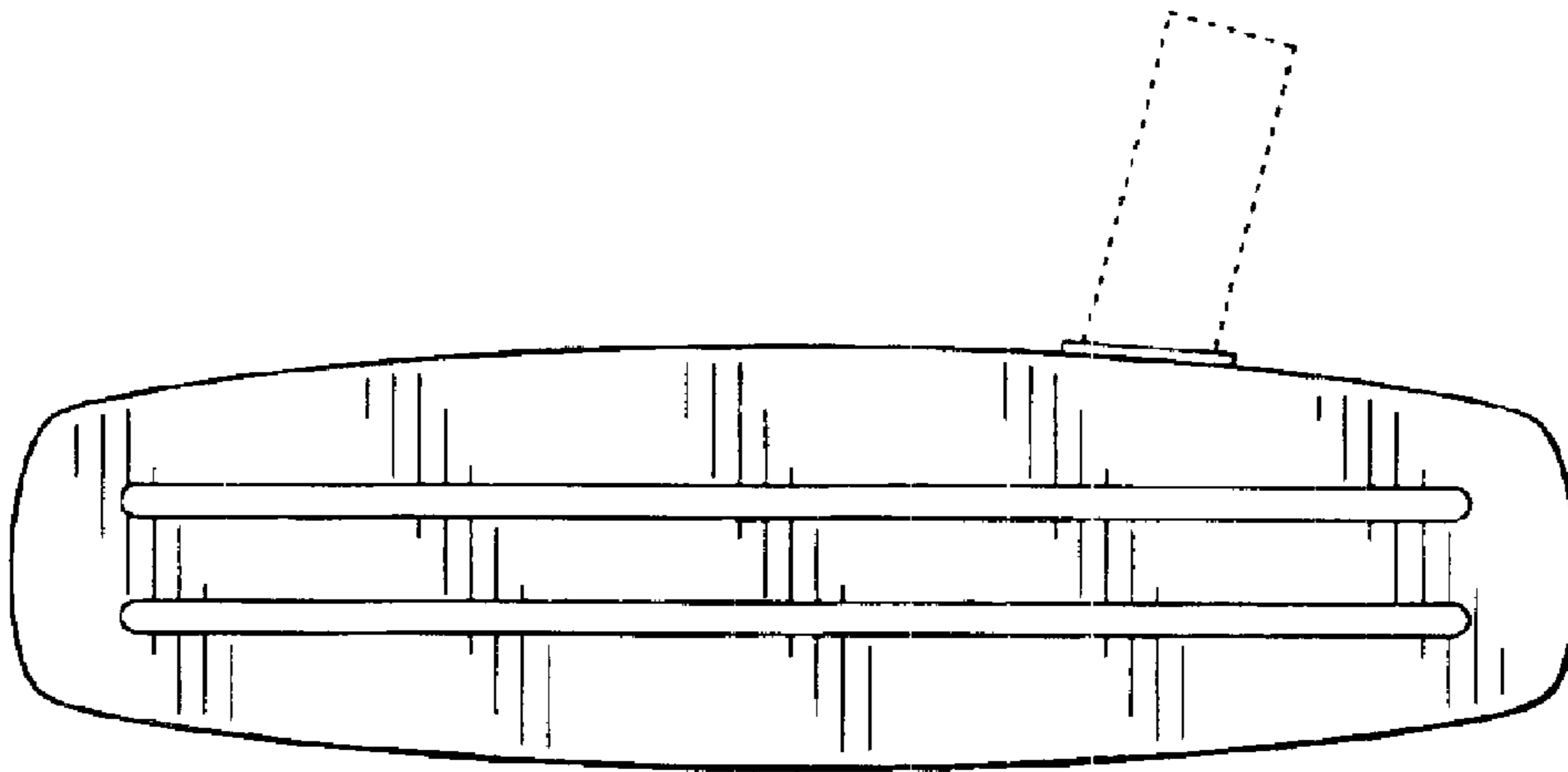


FIG. 11

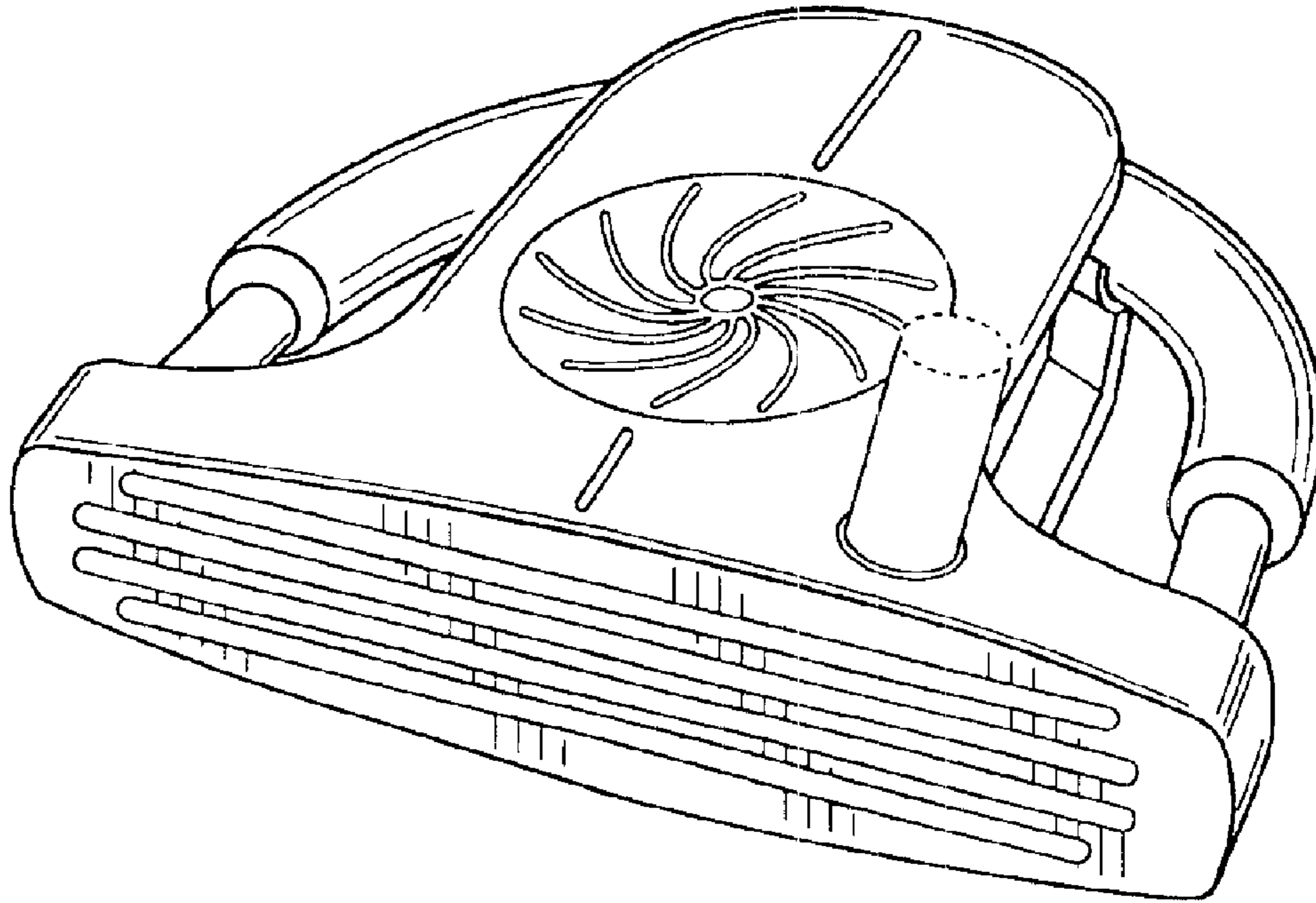


FIG. 12

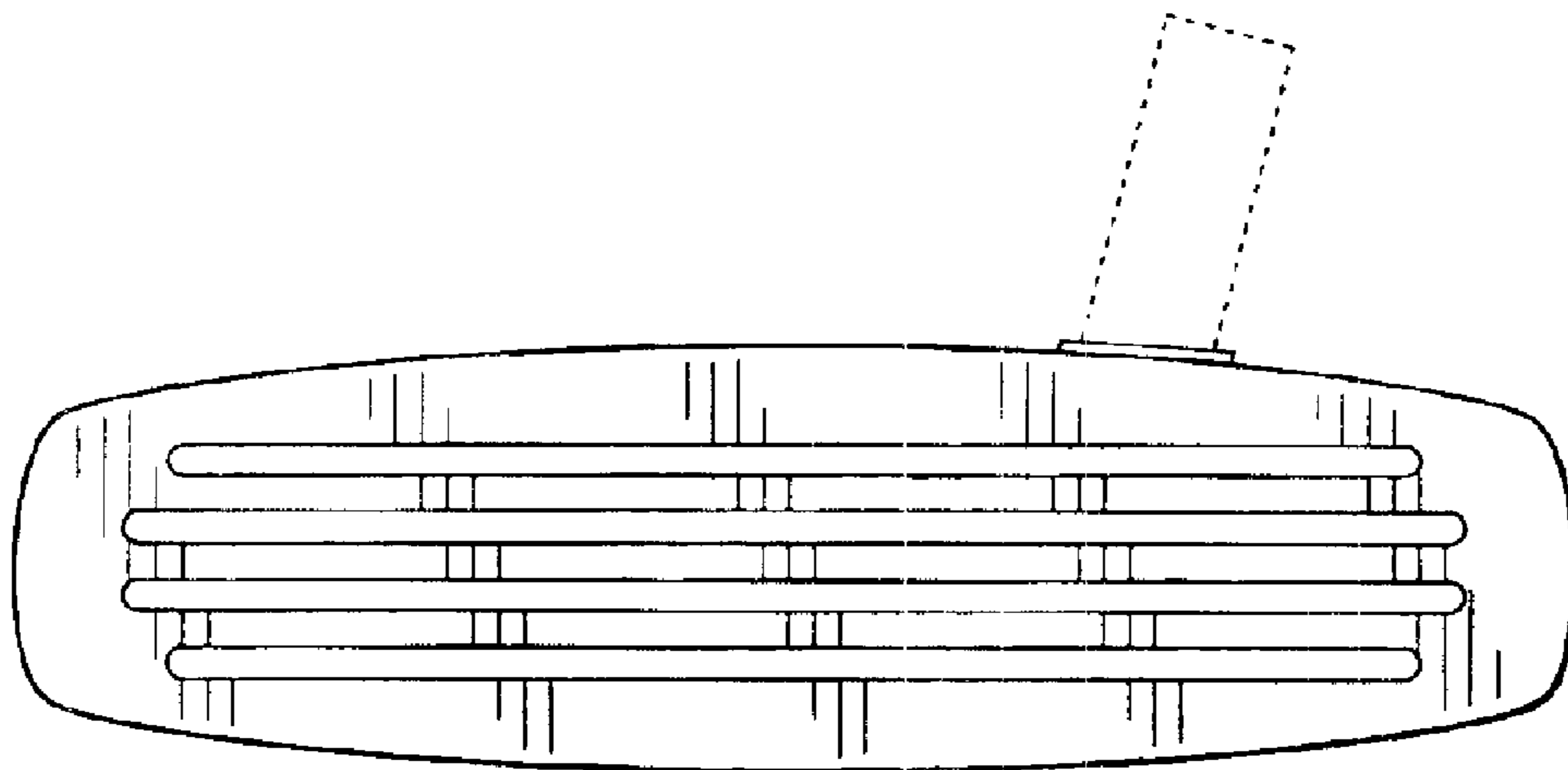


FIG. 13

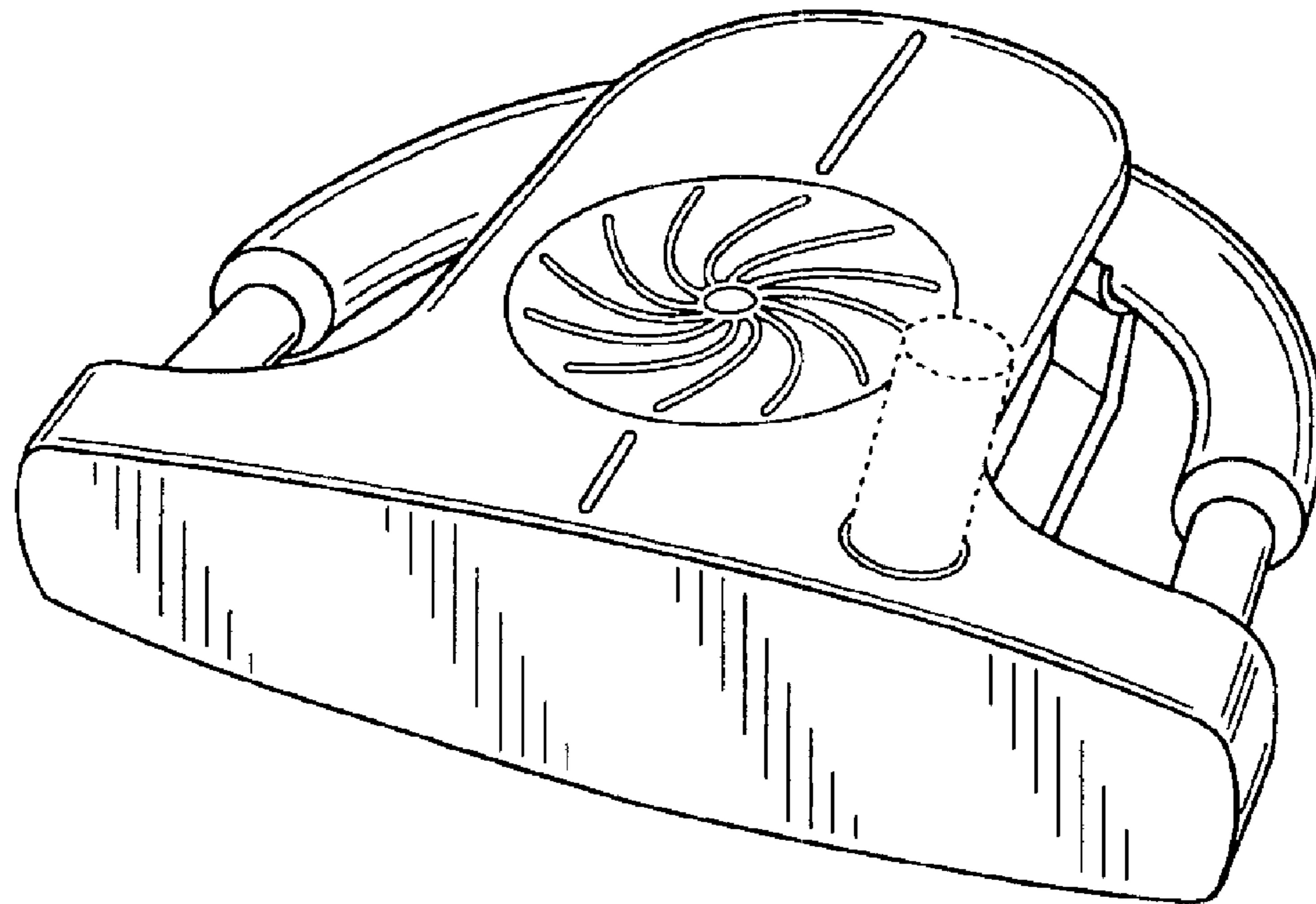


FIG. 14

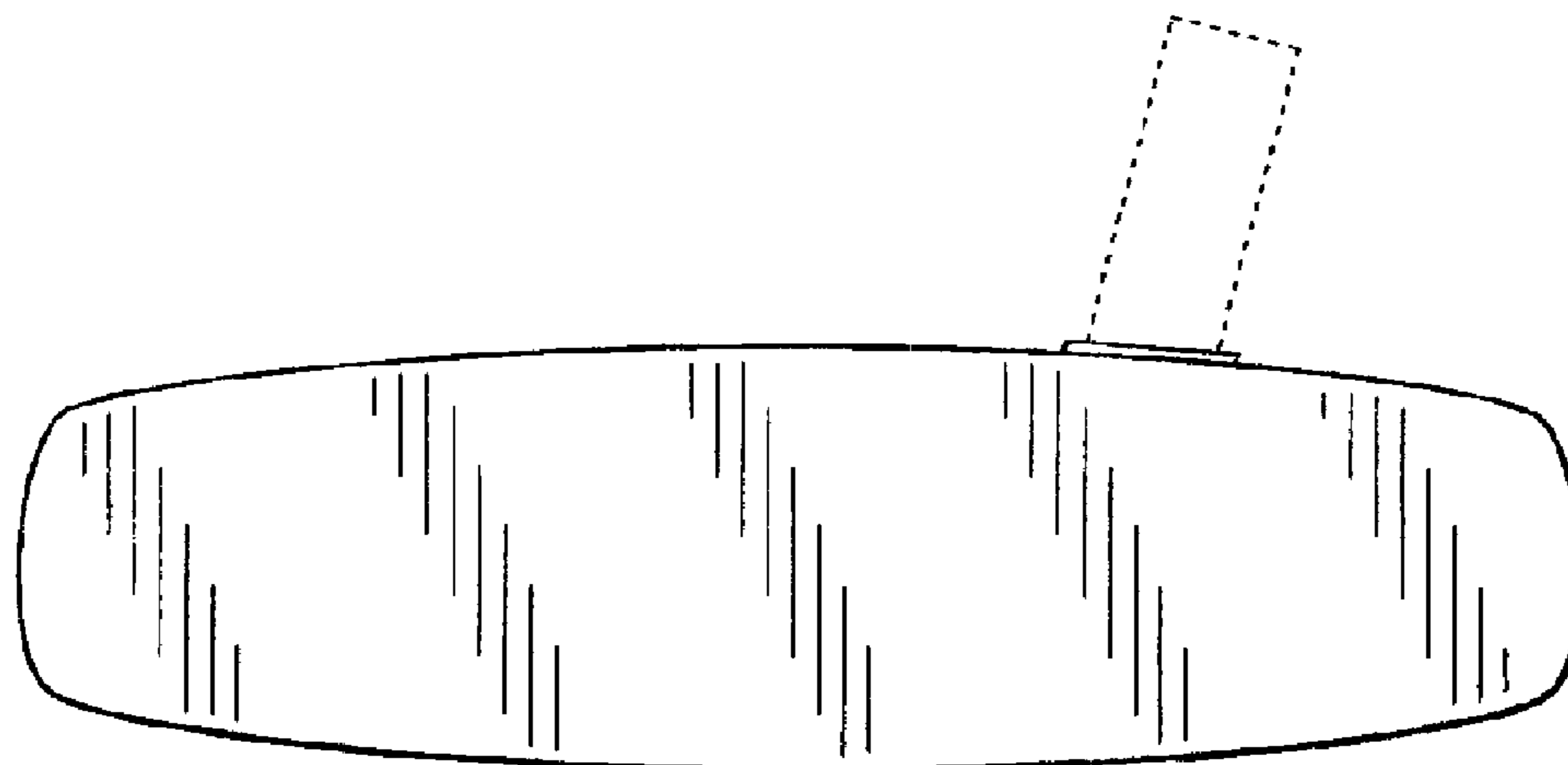


FIG. 15