

US00D502234S

(12) **United States Design Patent** (10) **Patent No.:** **US D502,234 S**  
**Grace** (45) **Date of Patent:** **\*\* Feb. 22, 2005**

(54) **PORTION OF A GOLF PUTTER HEAD**

(75) Inventor: **Robert M. Grace**, St. Pete Beach, FL (US)

(73) Assignee: **MacGregor Golf Company**, Albany, GA (US)

(\*\*) Term: **14 Years**

(21) Appl. No.: **29/203,713**

(22) Filed: **Apr. 20, 2004**

**Related U.S. Application Data**

(62) Division of application No. 10/248,342, filed on Jan. 10, 2003.

(51) **LOC (7) Cl.** ..... **21-02**

(52) **U.S. Cl.** ..... **D21/736; D21/759; D21/738**

(58) **Field of Search** ..... D21/736-746, D21/759; 473/324-331, 251-256, 242, 340, 341

(56) **References Cited**

**U.S. PATENT DOCUMENTS**

|             |          |                 |               |
|-------------|----------|-----------------|---------------|
| 2,954,231 A | 9/1960   | MacIntyre       |               |
| 2,957,696 A | 10/1960  | Warpotas        |               |
| 3,042,405 A | 7/1962   | Solheim         |               |
| 3,143,349 A | 8/1964   | MacIntyre       |               |
| 3,770,279 A | 11/1973  | Phinny          |               |
| D234,960 S  | 4/1975   | Swash           |               |
| D234,961 S  | 4/1975   | Swash           |               |
| D234,962 S  | * 4/1975 | Swash           | ..... D21/739 |
| 4,010,958 A | 3/1977   | Long            |               |
| 4,934,702 A | * 6/1990 | Serizawa        | ..... 473/251 |
| D320,251 S  | 9/1991   | Mermillod       |               |
| D320,638 S  | 10/1991  | Mermillod       |               |
| 5,058,895 A | 10/1991  | Igarashi        |               |
| 5,080,365 A | 1/1992   | Winchell        |               |
| 5,082,277 A | 1/1992   | Gingold         |               |
| 5,344,151 A | 9/1994   | Anderson et al. |               |
| D360,009 S  | 7/1995   | Grace           |               |
| D364,907 S  | 12/1995  | Estridge et al. |               |
| 5,564,990 A | 10/1996  | Weeks           |               |

|                 |           |               |               |
|-----------------|-----------|---------------|---------------|
| 5,620,379 A     | 4/1997    | Borys         |               |
| 5,630,765 A     | 5/1997    | Moore         |               |
| 5,685,784 A     | 11/1997   | Butler        |               |
| D389,539 S      | * 1/1998  | Moore         | ..... D21/739 |
| 5,830,078 A     | 11/1998   | McMahan       |               |
| 6,059,669 A     | 5/2000    | Pearce        |               |
| 6,080,070 A     | 6/2000    | Whitley       |               |
| D429,296 S      | * 8/2000  | Franzen       | ..... D21/743 |
| D435,276 S      | * 12/2000 | Mantelli      | ..... D21/743 |
| 6,244,974 B1    | 6/2001    | Hanberry, Jr. |               |
| 6,267,689 B1    | 7/2001    | Ambrose       |               |
| D460,990 S      | 7/2002    | Jung          |               |
| D461,860 S      | * 8/2002  | Tang          | ..... D21/742 |
| 6,471,600 B2    | 10/2002   | Tang et al.   |               |
| 6,488,595 B1    | 12/2002   | Grace         |               |
| D484,935 S      | * 1/2004  | Tang          | ..... D21/738 |
| 6,716,110 B1    | * 4/2004  | Ballow        | ..... 473/242 |
| 2003/0092503 A1 | 5/2003    | Snowdon       |               |
| 2003/0144077 A1 | 7/2003    | Cullen        |               |
| 2003/0228925 A1 | 12/2003   | Rohrer        |               |
| 2003/0232661 A1 | 12/2003   | Greer, Jr.    |               |
| 2003/0236130 A1 | 12/2003   | Gammon, Jr.   |               |

\* cited by examiner

*Primary Examiner*—Mitchell Siegel

(74) *Attorney, Agent, or Firm*—Burns, Doane, Swecker & Mathis, L.L.P.

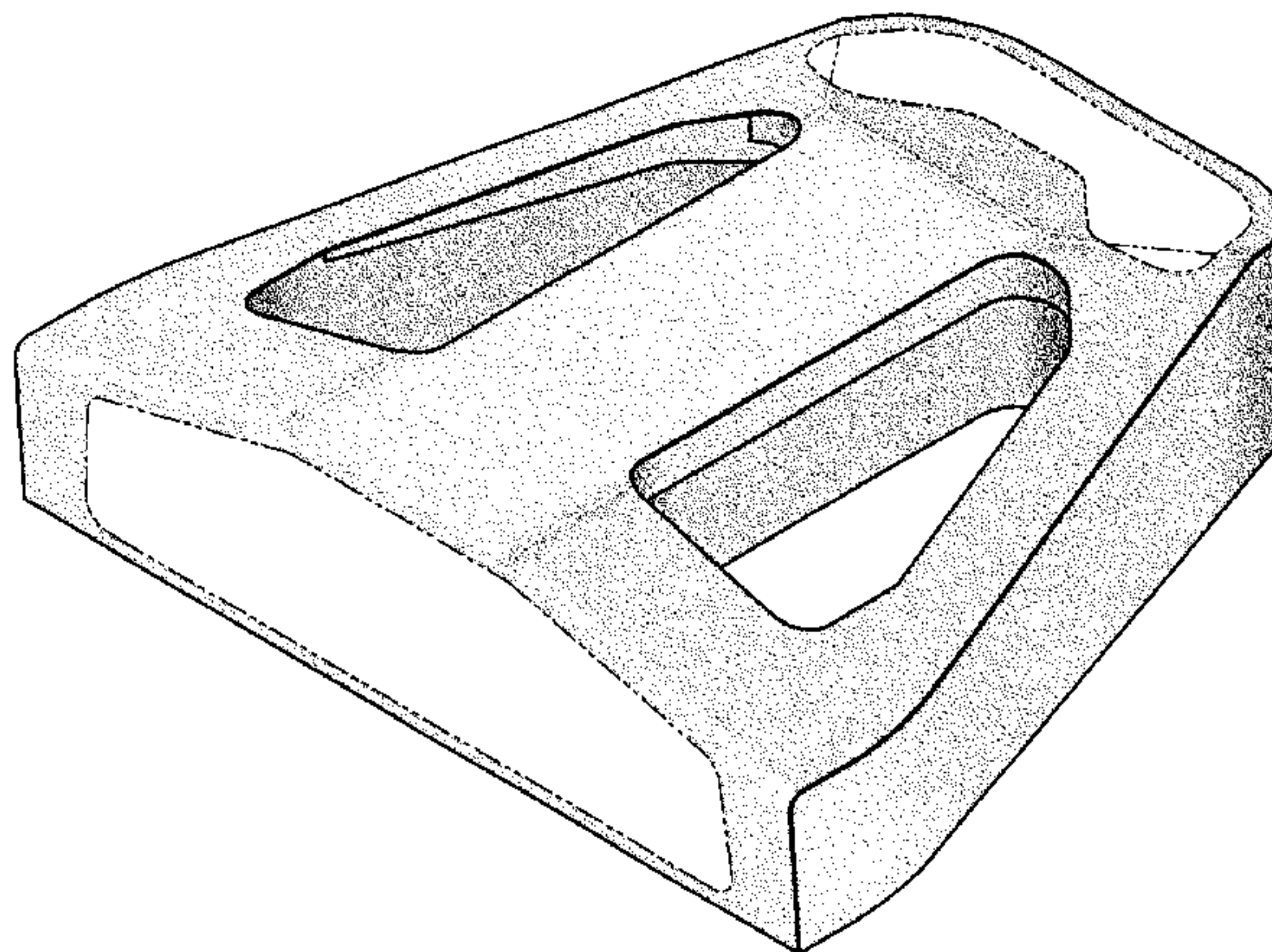
(57) **CLAIM**

The ornamental design for a portion of a golf putter head, as shown and described.

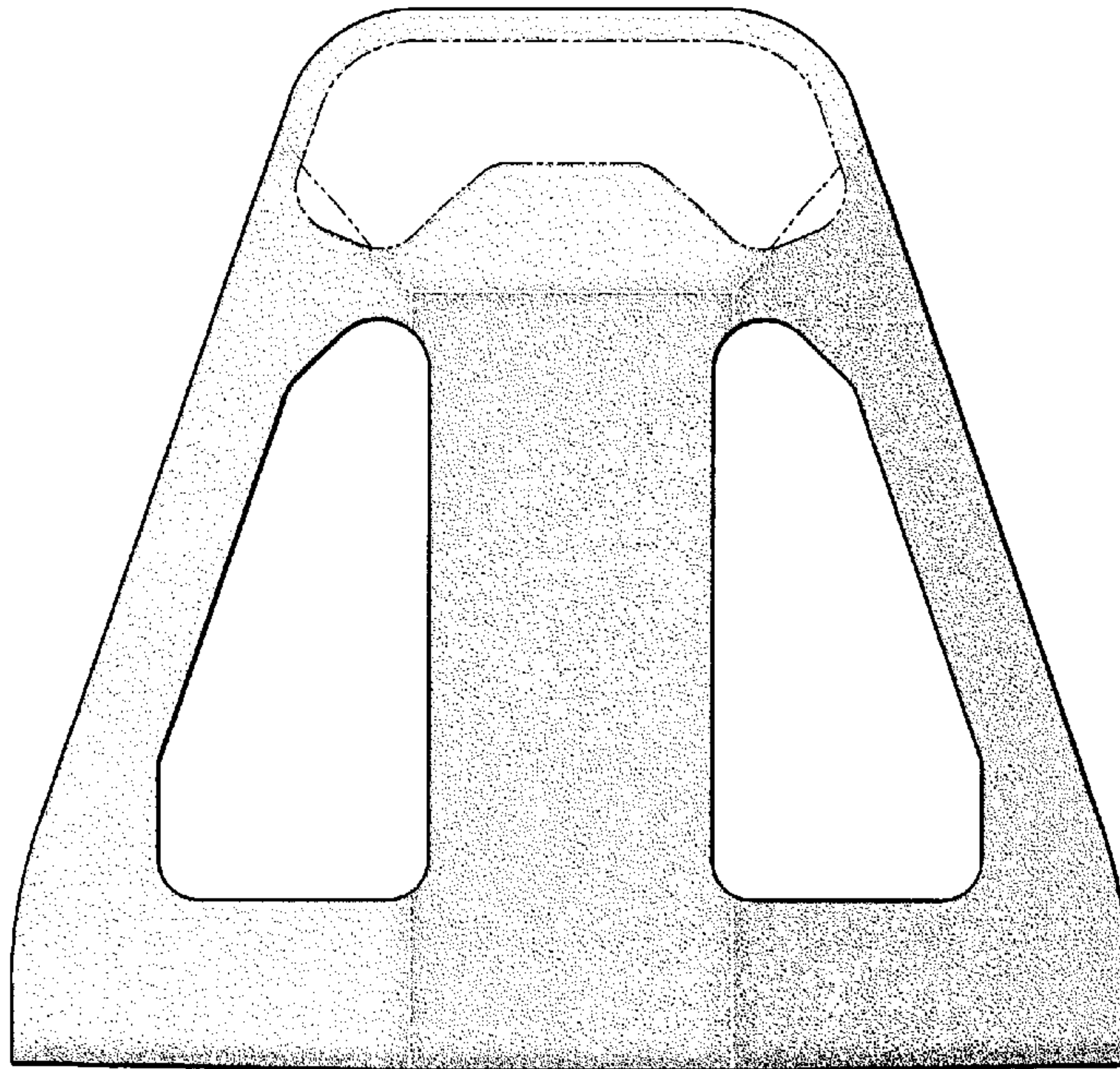
**DESCRIPTION**

FIG. 1 is a bottom plan view of a portion of a golf putter head showing my new design.  
 FIG. 2 is a left side elevational view thereof; the right side being a mirror image thereof.  
 FIG. 3 is a front elevational view thereof.  
 FIG. 4 is a rear elevational view thereof; and,  
 FIG. 5 is a bottom perspective view thereof.  
 The broken line showing of various portions of the golf putter head is for illustrative purposes only and forms no part of the claimed design.

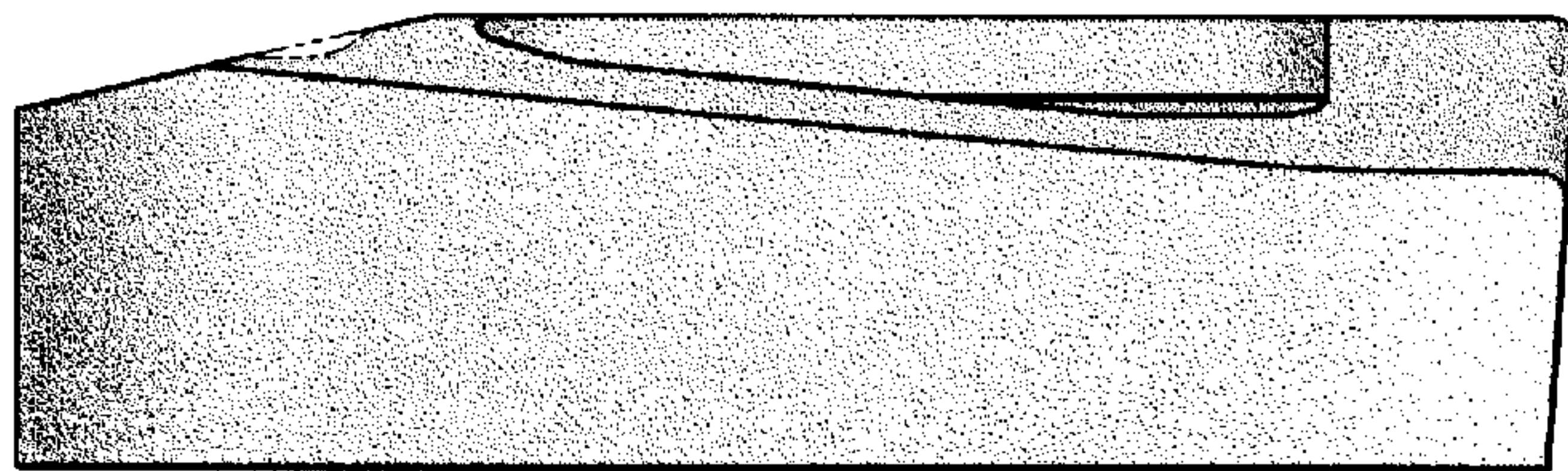
**1 Claim, 2 Drawing Sheets**



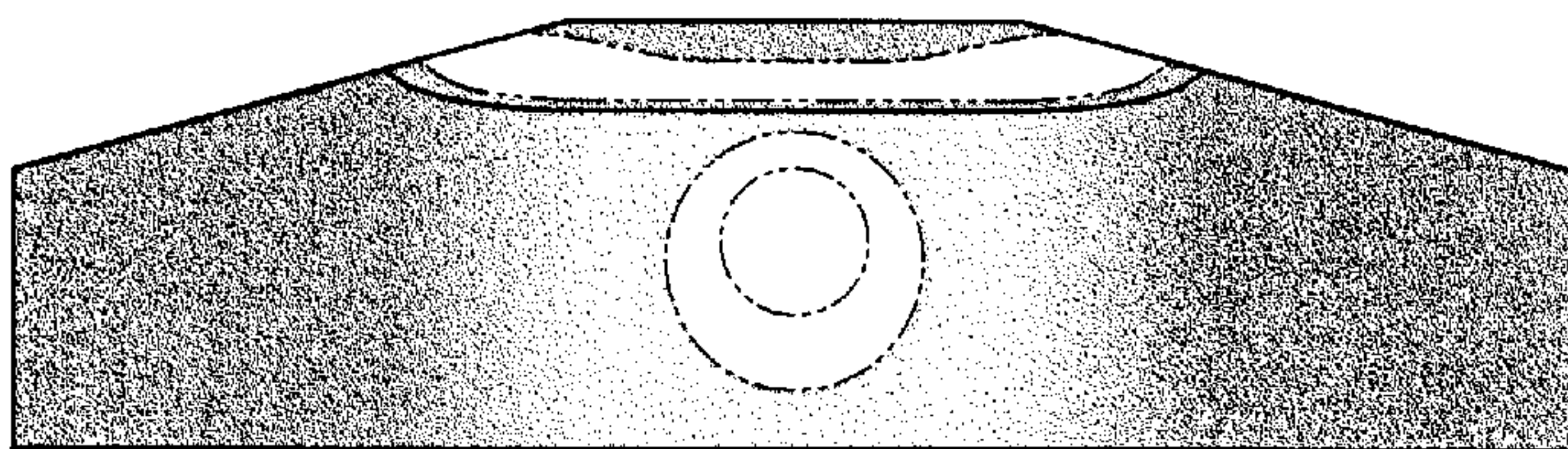




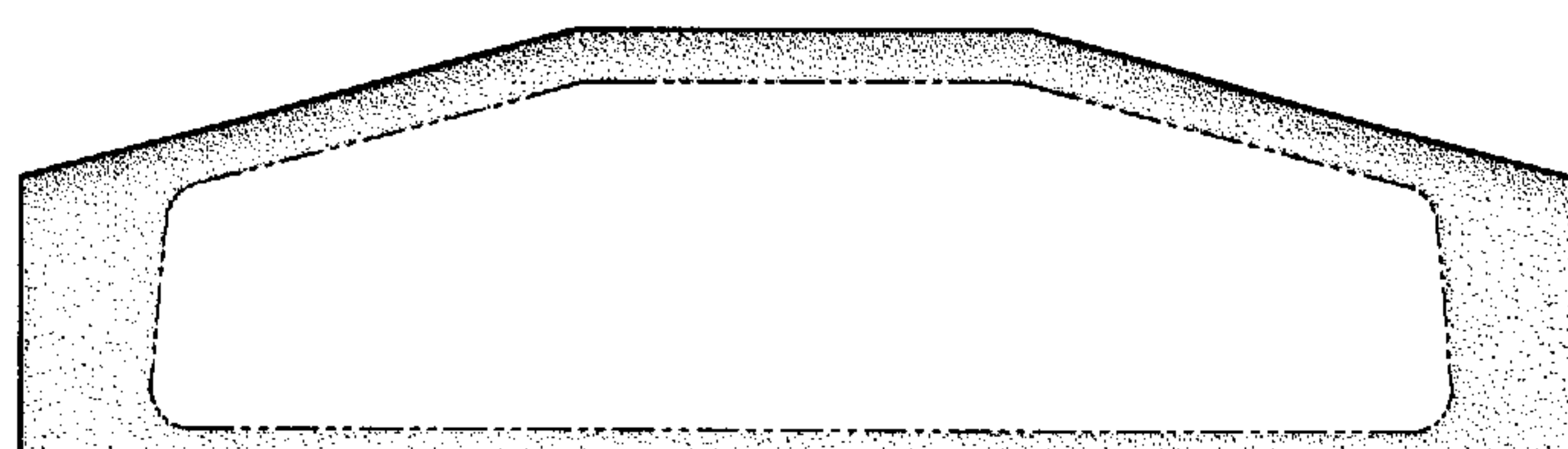
**FIG. 1**



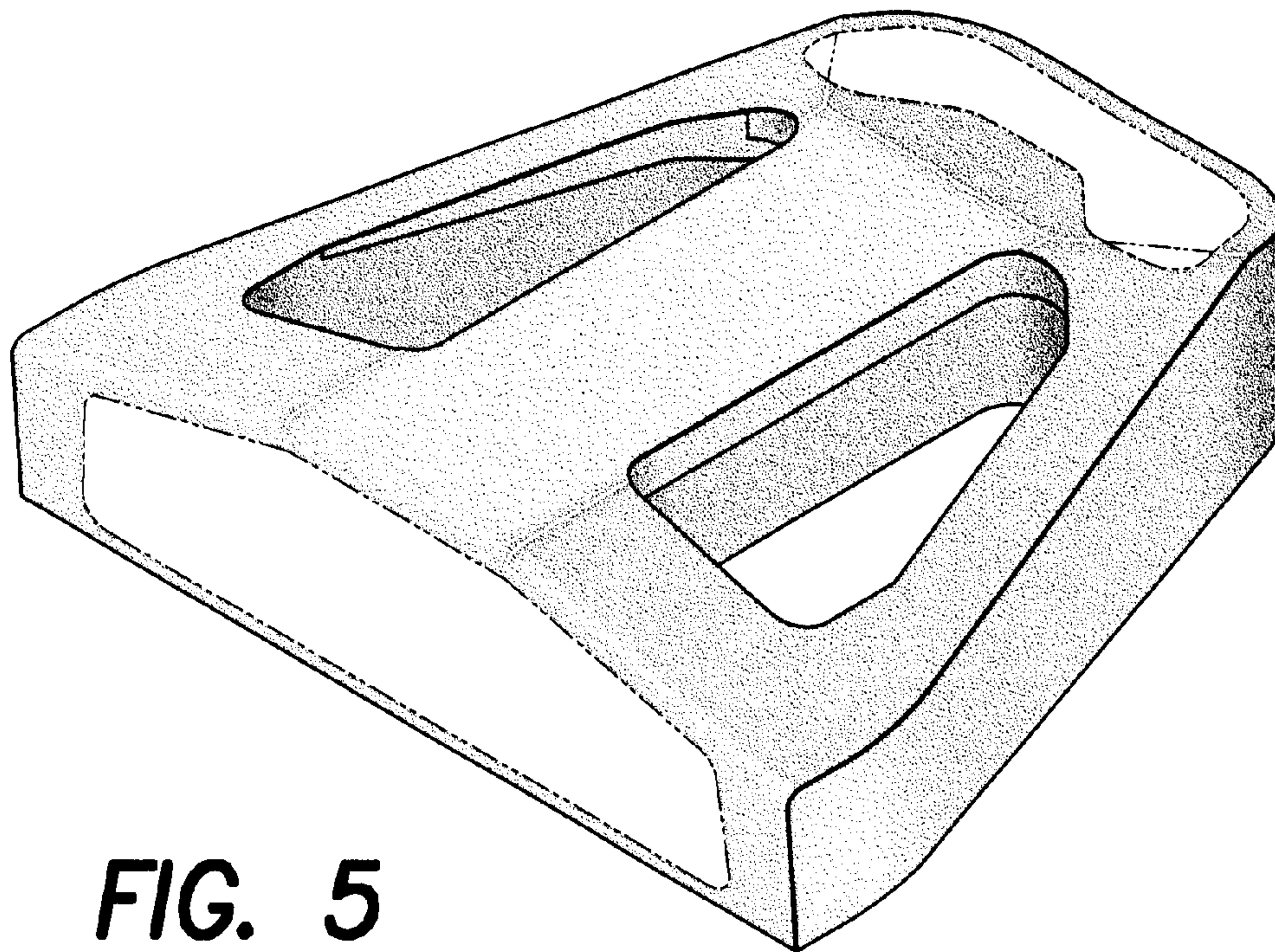
**FIG. 2**



**FIG. 3**



**FIG. 4**



**FIG. 5**