

US00D502233S

(12) **United States Design Patent** (10) **Patent No.:** **US D502,233 S**
Grace (45) **Date of Patent:** **** Feb. 22, 2005**

(54) **PORTION OF A GOLF PUTTER HEAD**

(75) Inventor: **Robert M. Grace**, St. Pete Beach, FL (US)

(73) Assignee: **MacGregor Golf Company**, Albany, GA (US)

(**) Term: **14 Years**

(21) Appl. No.: **29/203,711**

(22) Filed: **Apr. 20, 2004**

Related U.S. Application Data

(62) Division of application No. 10/248,342, filed on Jan. 10, 2003.

(51) **LOC (7) Cl.** **21-02**

(52) **U.S. Cl.** **D21/736; D21/759; D21/738**

(58) **Field of Search** **D21/736-746, D21/759; 473/324-331, 251-256, 242, 340, 341**

(56) **References Cited**

U.S. PATENT DOCUMENTS

2,954,231 A	9/1960	MacIntyre	
2,957,696 A	10/1960	Warpotas	
3,042,405 A	7/1962	Solheim	
3,143,349 A	8/1964	MacIntyre	
3,770,279 A	11/1973	Phinny	
D234,960 S	4/1975	Swash	
D234,961 S	4/1975	Swash	
D234,962 S	* 4/1975	Swash D21/739
4,010,958 A	3/1977	Long	
4,934,702 A	* 6/1990	Serizawa 473/251
D320,251 S	9/1991	Mermillod	
D320,638 S	10/1991	Mermillod	
5,058,895 A	10/1991	Igarashi	
5,080,365 A	1/1992	Winchell	
5,082,277 A	1/1992	Gingold	
5,344,151 A	9/1994	Anderson et al.	
D360,009 S	7/1995	Grace	
D364,907 S	12/1995	Estridge et al.	
5,564,990 A	10/1996	Weeks	

5,620,379 A	4/1997	Borys	
5,630,765 A	5/1997	Moore	
5,685,784 A	11/1997	Butler	
D389,539 S	* 1/1998	Moore D21/739
5,830,078 A	11/1998	McMahan	
6,059,669 A	5/2000	Pearce	
6,080,070 A	6/2000	Whitley	
D429,296 S	* 8/2000	Franzen D21/743
D435,276 S	* 12/2000	Mantelli D21/743
6,244,974 B1	6/2001	Hanberry, Jr.	
6,267,689 B1	7/2001	Ambrose	
D460,990 S	7/2002	Jung	
D461,860 S	* 8/2002	Tang D21/742
6,471,600 B2	10/2002	Tang et al.	
6,488,595 B1	12/2002	Grace	
D484,935 S	* 1/2004	Tang D21/738
6,716,110 B1	* 4/2004	Ballow 473/242
2003/0092503 A1	5/2003	Snowdon	
2003/0144077 A1	7/2003	Cullen	
2003/0228925 A1	12/2003	Rohrer	
2003/0232661 A1	12/2003	Greer, Jr.	
2003/0236130 A1	12/2003	Gammon, Jr.	

* cited by examiner

Primary Examiner—Mitchell Siegel

(74) *Attorney, Agent, or Firm*—Burns, Doane, Swecker & Mathis, L.L.P.

(57) **CLAIM**

The ornamental design for a portion of a golf putter head, as shown and described.

DESCRIPTION

FIG. 1 is a bottom plan view of a portion of a golf putter head showing my new design.

FIG. 2 is a left side elevational view thereof; the right side being a mirror image thereof.

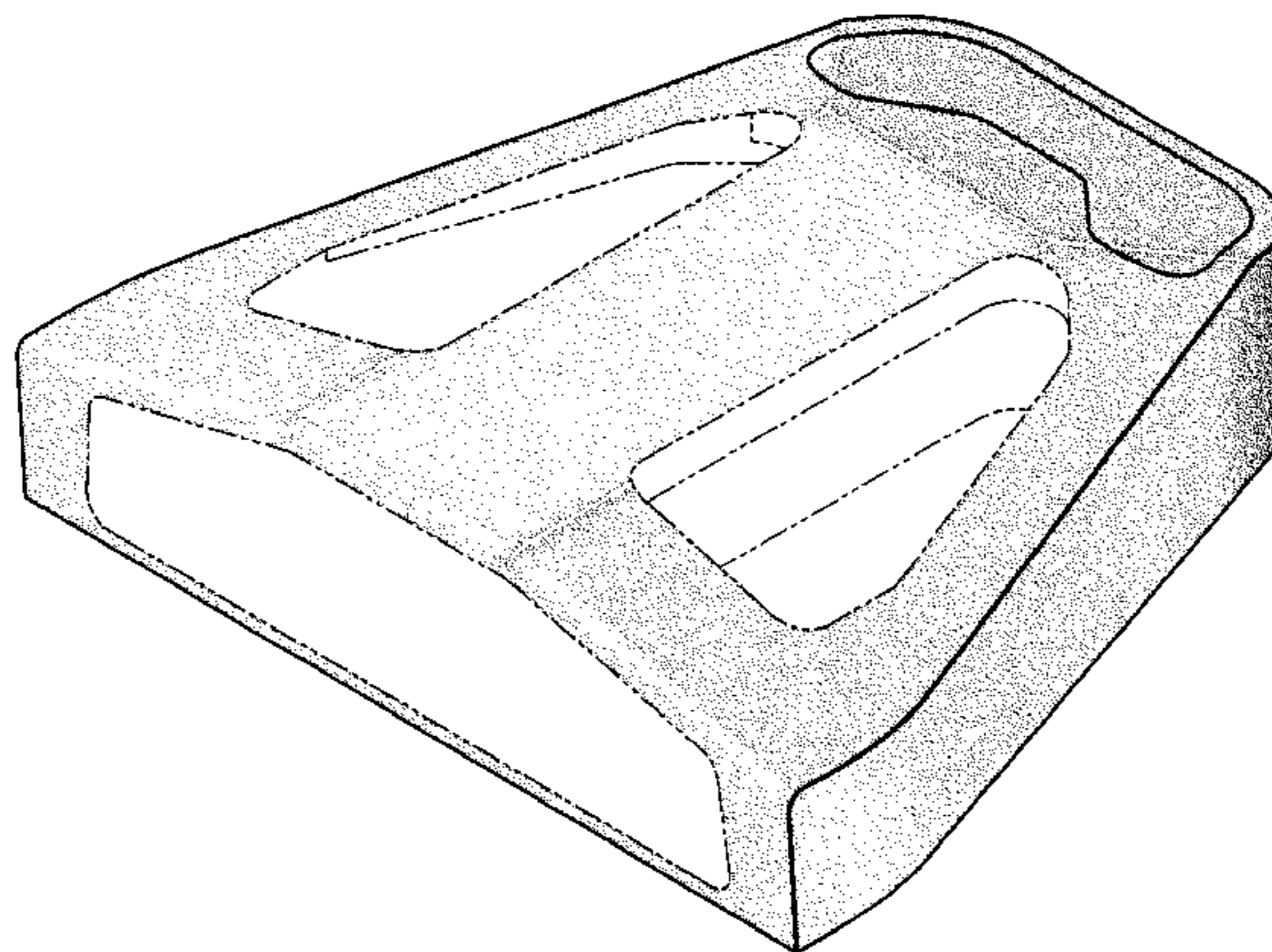
FIG. 3 is a front elevational view thereof.

FIG. 4 is a rear elevational view thereof; and,

FIG. 5 is a bottom perspective view thereof.

The broken line showing of various portions of the golf putter head is for illustrative purposes only and forms no part of the claimed design.

1 Claim, 2 Drawing Sheets



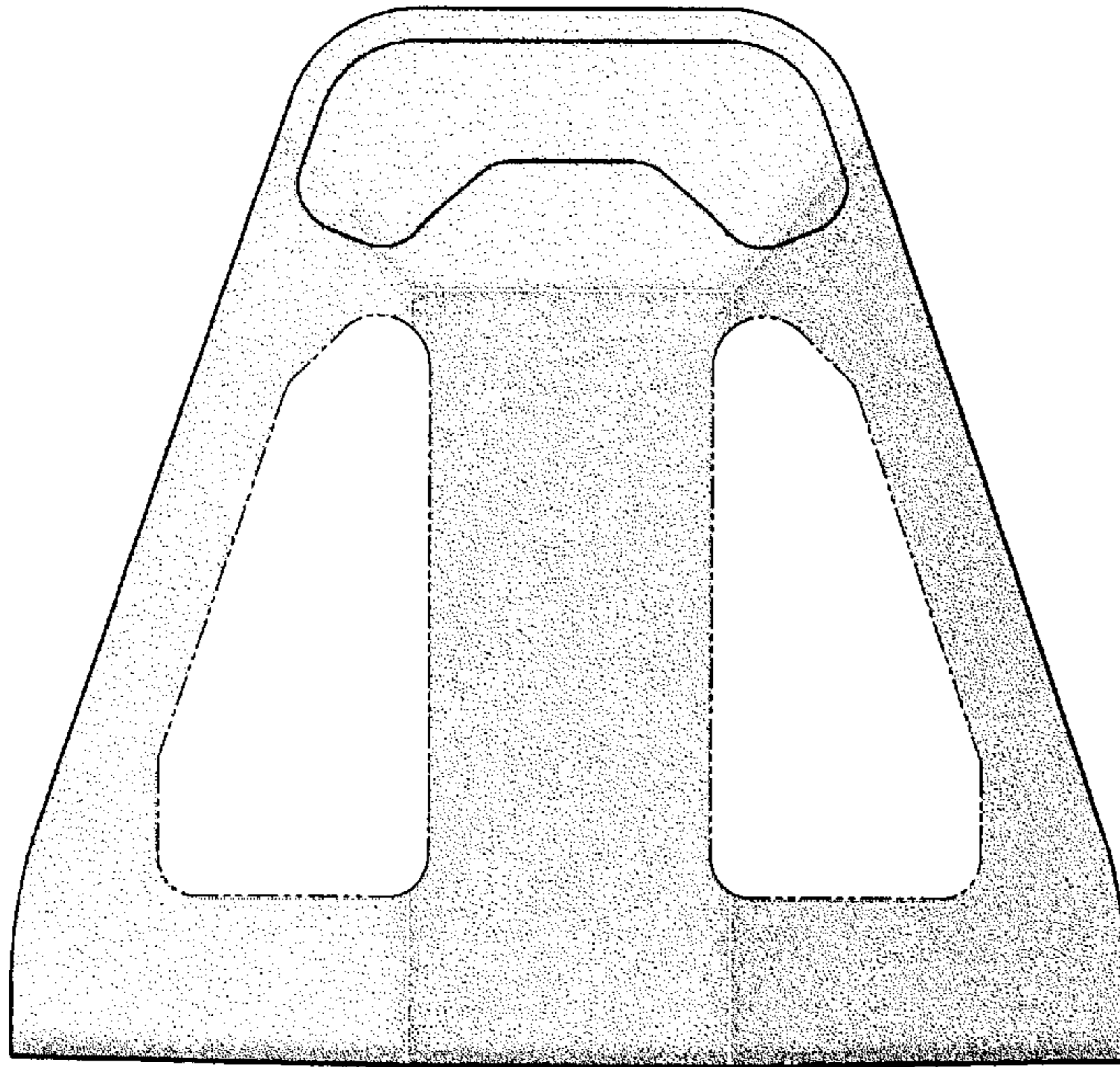


FIG. 1

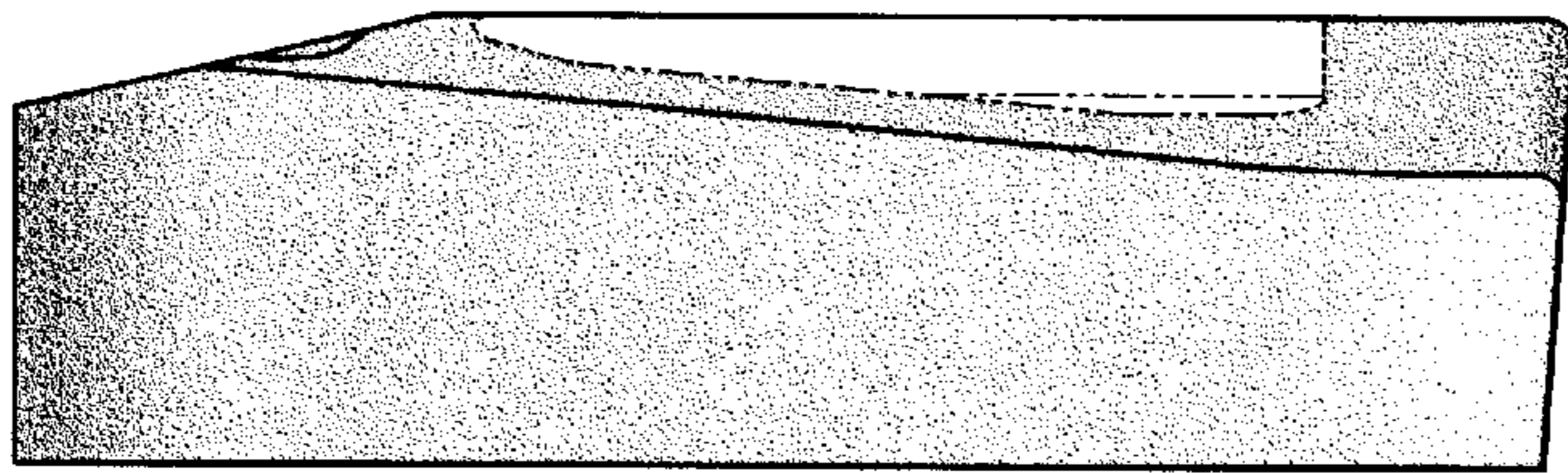


FIG. 2

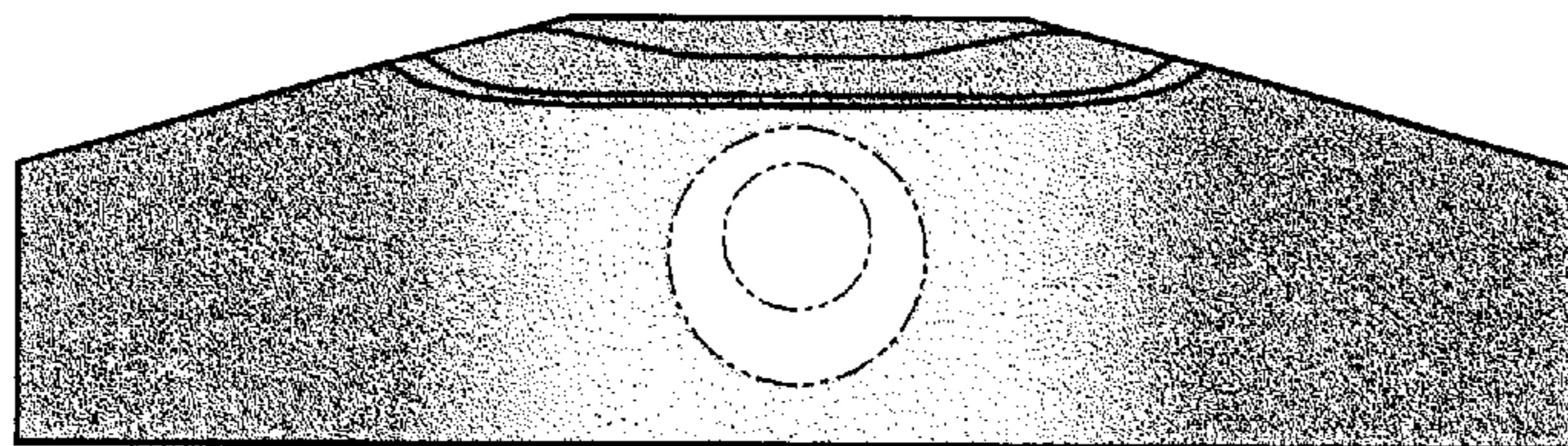


FIG. 3

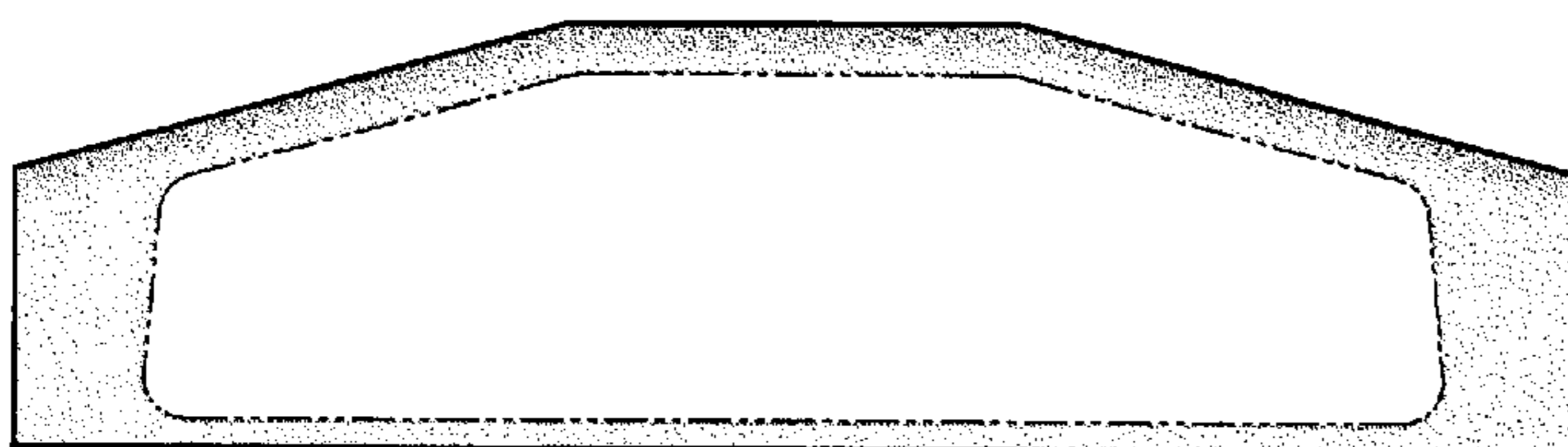


FIG. 4

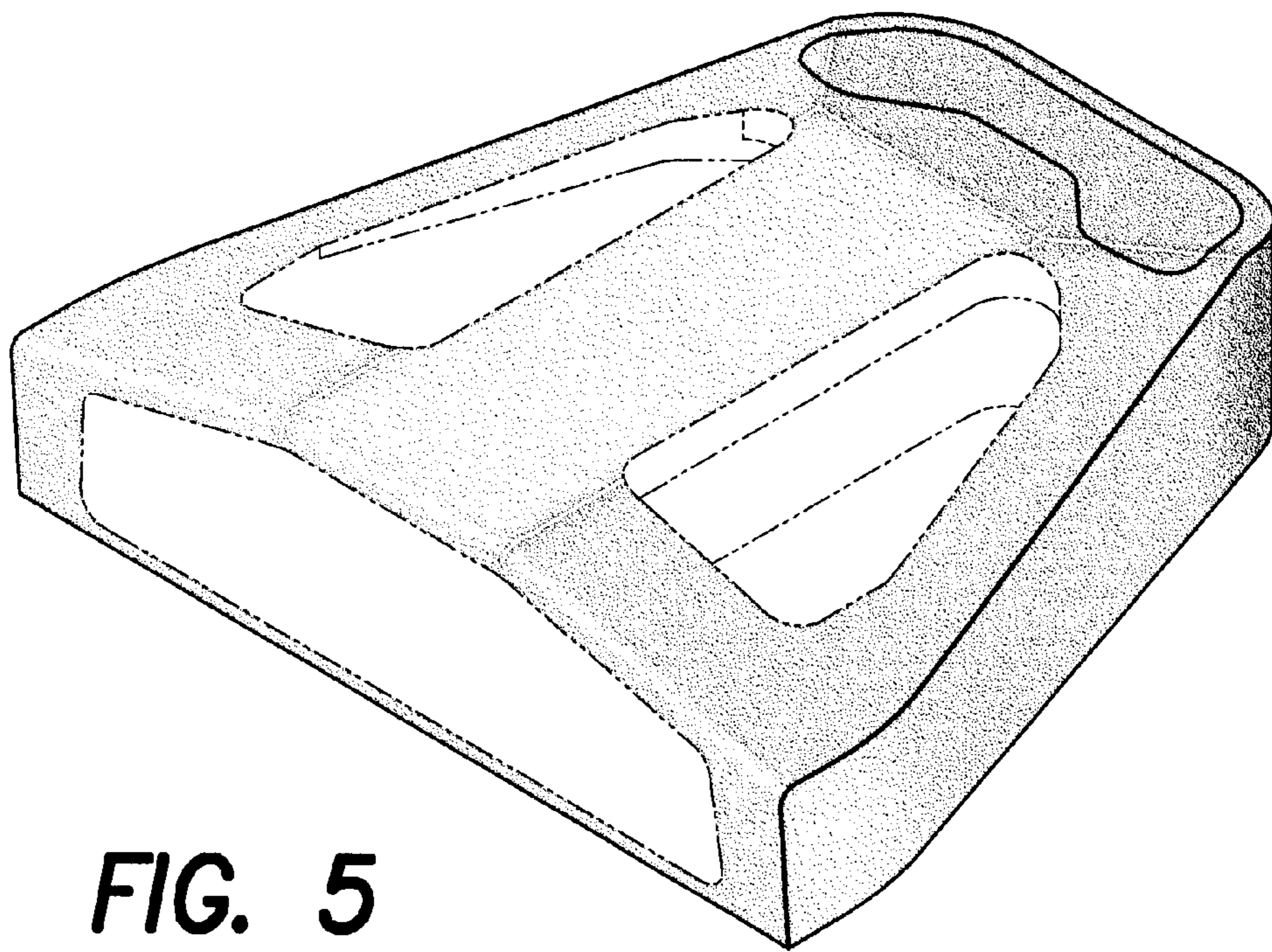


FIG. 5