

US00D502232S

(12) **United States Design Patent**  
**Antonious**

(10) **Patent No.:** **US D502,232 S**

(45) **Date of Patent:** **\*\* Feb. 22, 2005**

(54) **METALWOOD TYPE GOLF CLUB HEAD**

(76) Inventor: **Anthony J. Antonious**, 7738 Calle  
Facil, Sarasota, FL (US) 34238

(\*\*) Term: **14 Years**

(21) Appl. No.: **29/197,175**

(22) Filed: **Jan. 13, 2004**

(51) **LOC (7) Cl.** ..... **21-02**

(52) **U.S. Cl.** ..... **D21/733**

(58) **Field of Search** ..... D21/733, 752;  
473/324-331, 343-346

(56) **References Cited**

**U.S. PATENT DOCUMENTS**

D390,616 S	*	2/1998	Maltby	.....	D21/733
5,735,754 A	*	4/1998	Antonious	.....	473/328
D438,921 S	*	3/2001	Broadbridge	.....	D21/733
D458,325 S	*	6/2002	Antonious	.....	D21/733

\* cited by examiner

*Primary Examiner*—Mitchell Siegel

(74) *Attorney, Agent, or Firm*—Welsh & Flaxman LLC

(57) **CLAIM**

The ornamental design for a metalwood type golf club head,  
as shown and described.

**DESCRIPTION**

FIG. 1 is a front elevational view of a metalwood type golf club head showing my new design.

FIG. 2 is a rear elevational view thereof shown from the bottom.

FIG. 3 is a toe elevational view thereof.

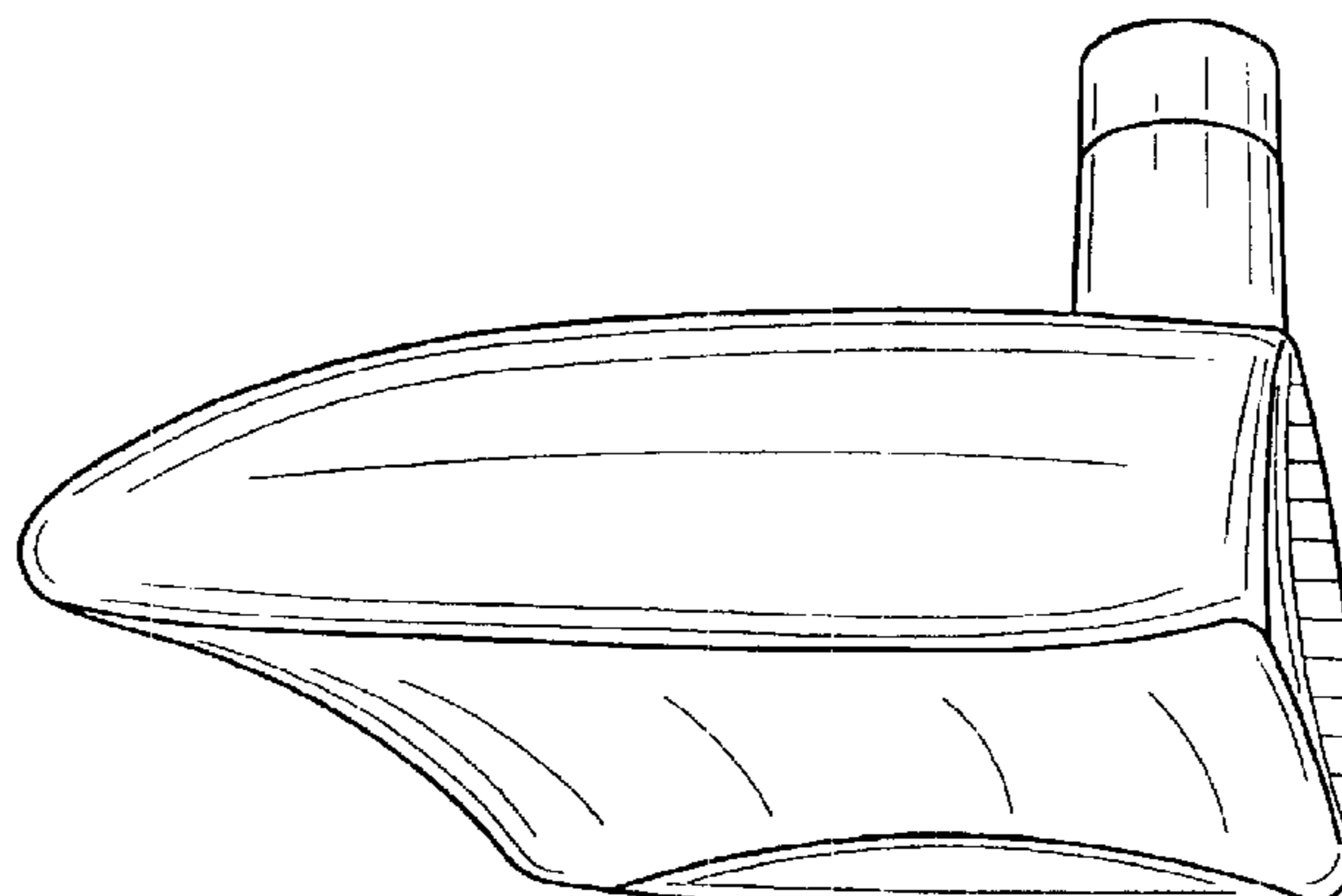
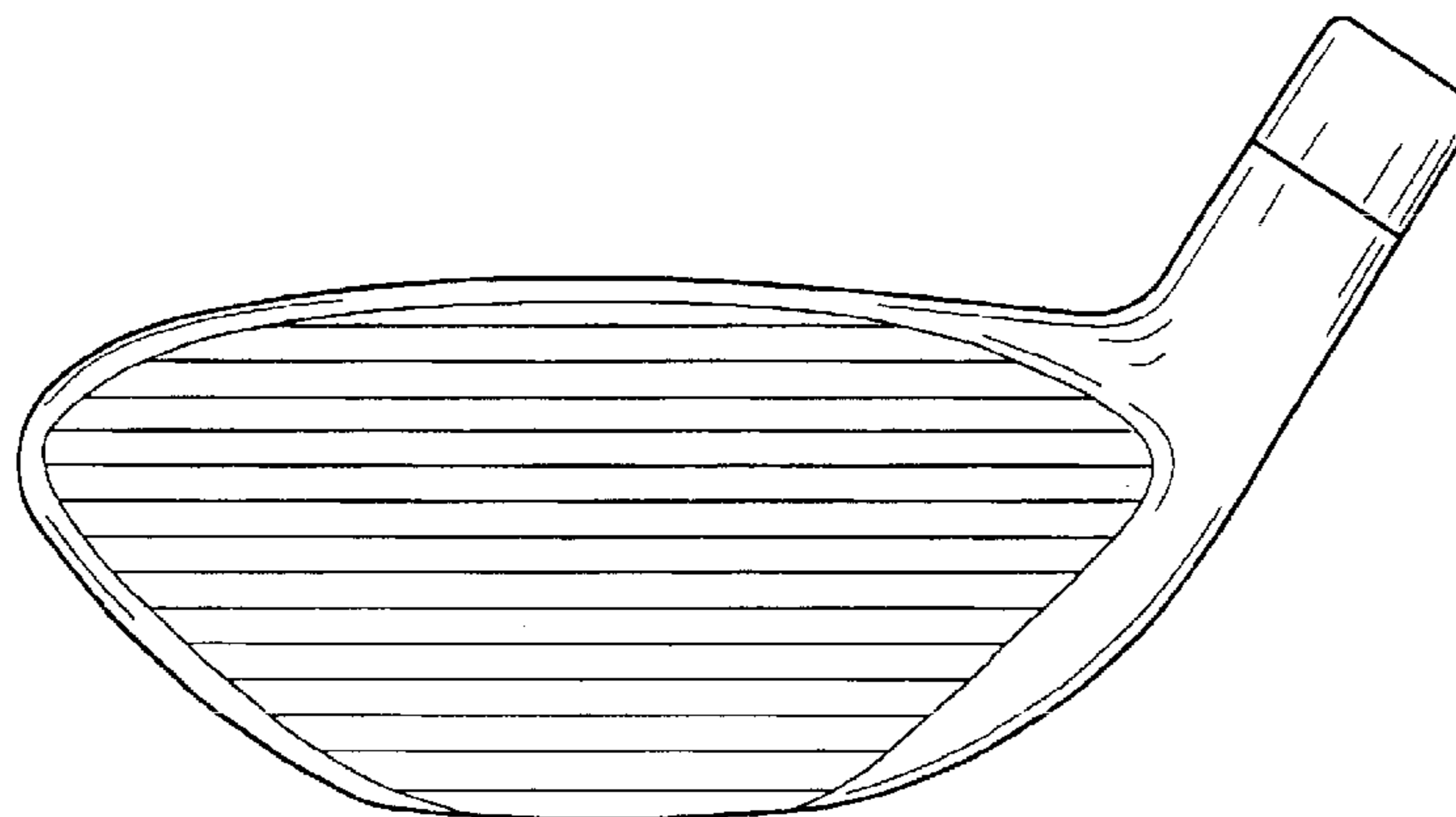
FIG. 4 is a heel elevational view thereof.

FIG. 5 is a top perspective view thereof.

FIG. 6 is a top plan view thereof; and,

FIG. 7 is a bottom perspective view thereof.

**1 Claim, 4 Drawing Sheets**



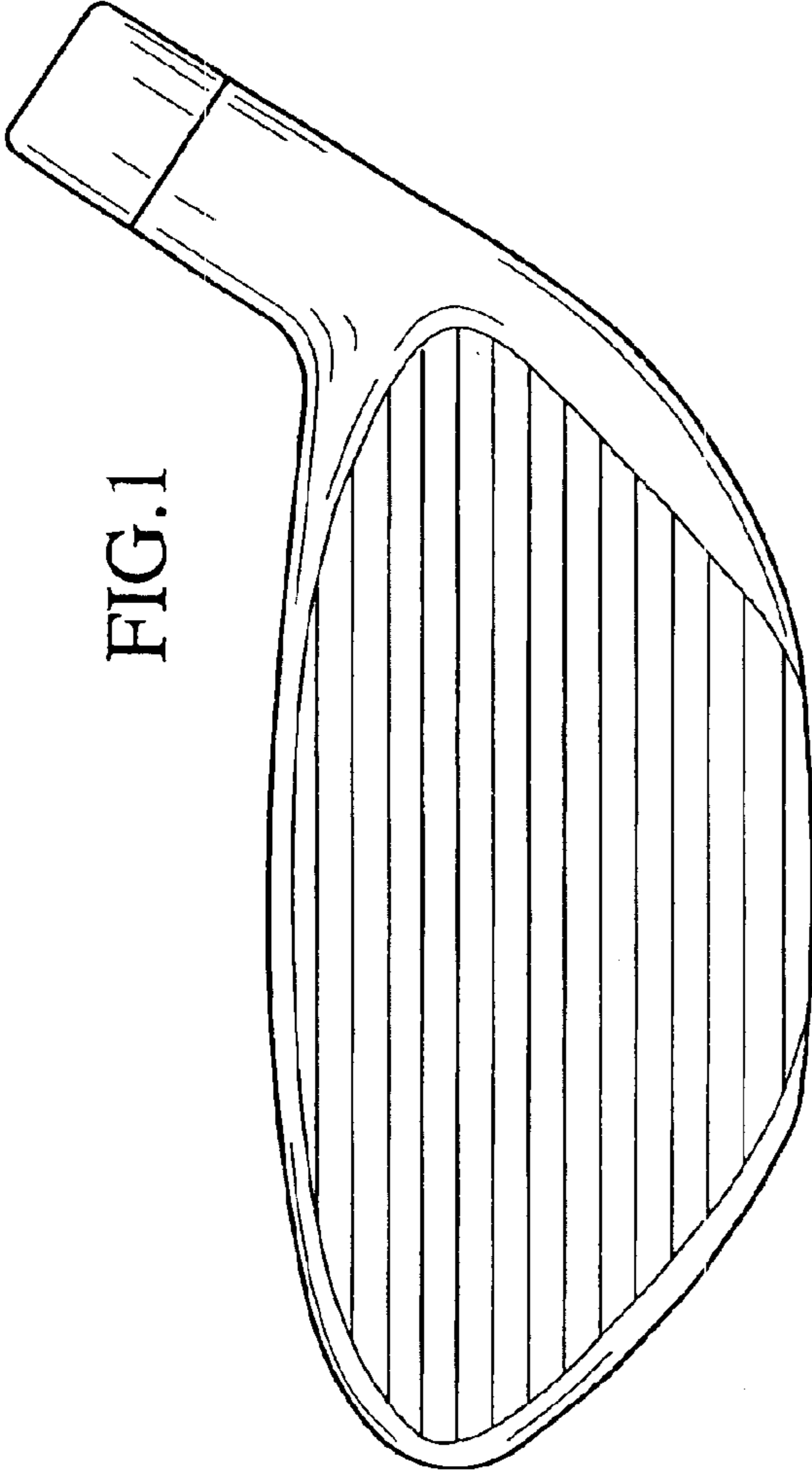


FIG.1

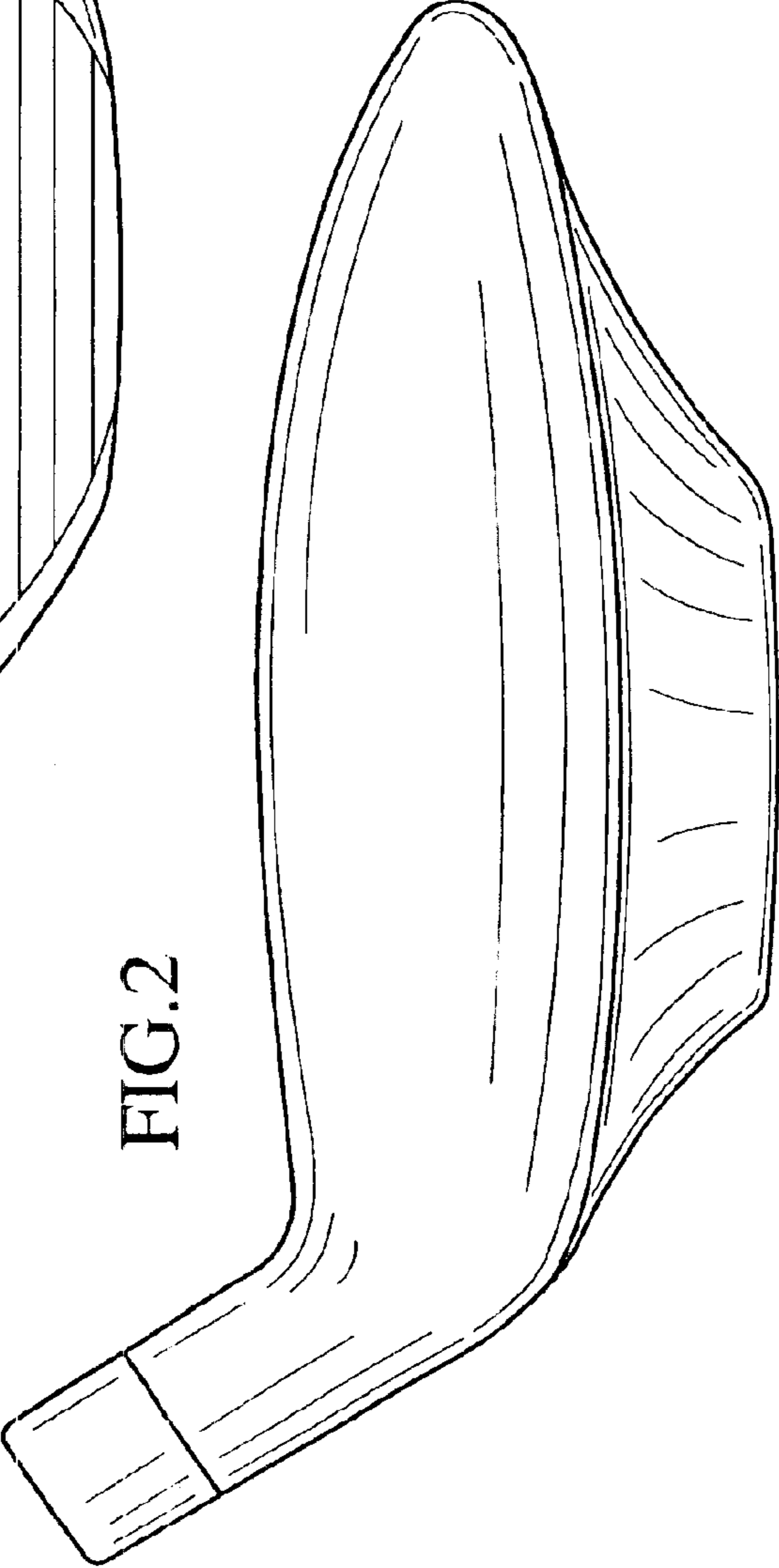


FIG.2

FIG.3

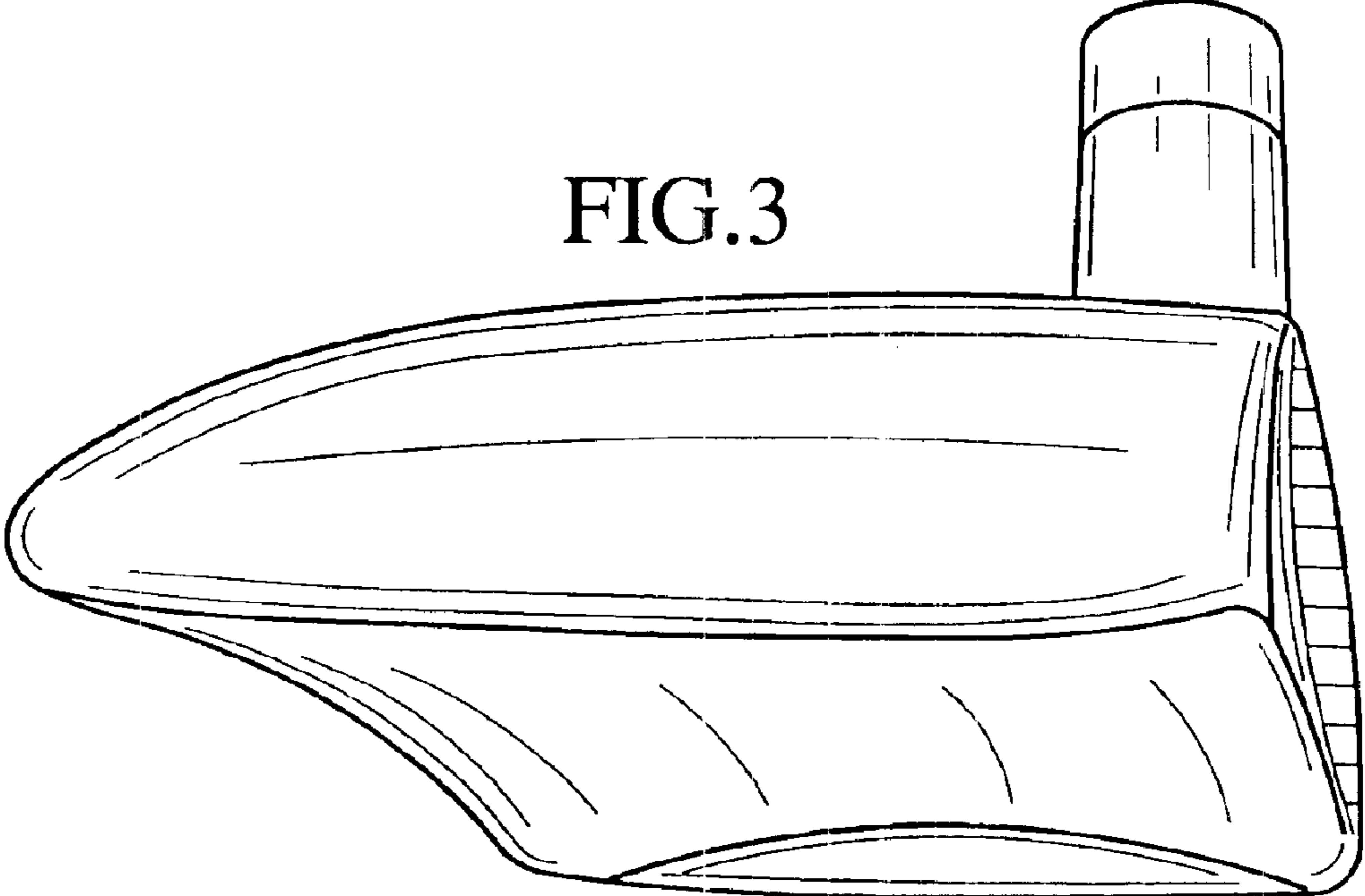


FIG.4

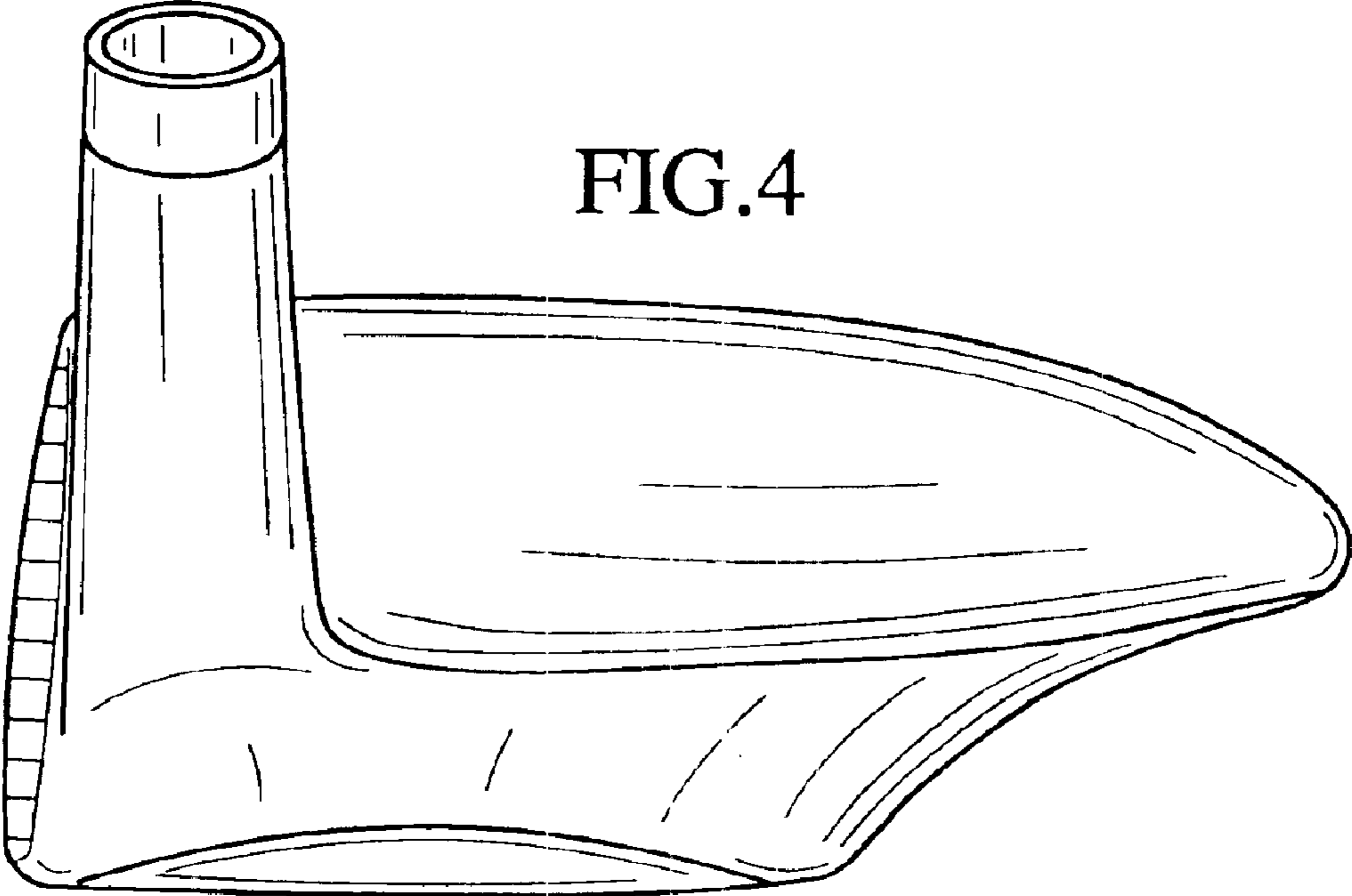


FIG.5

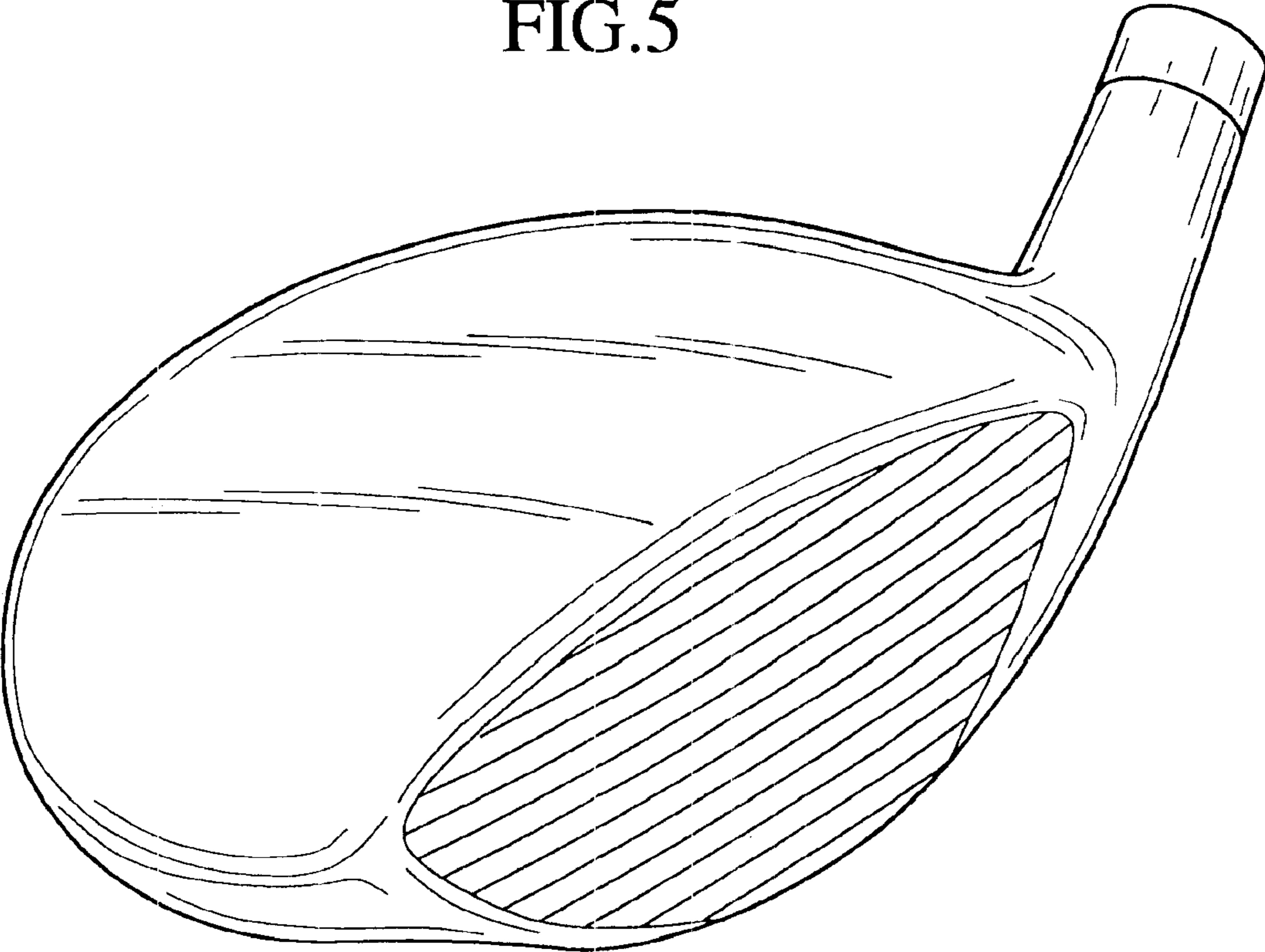


FIG.7

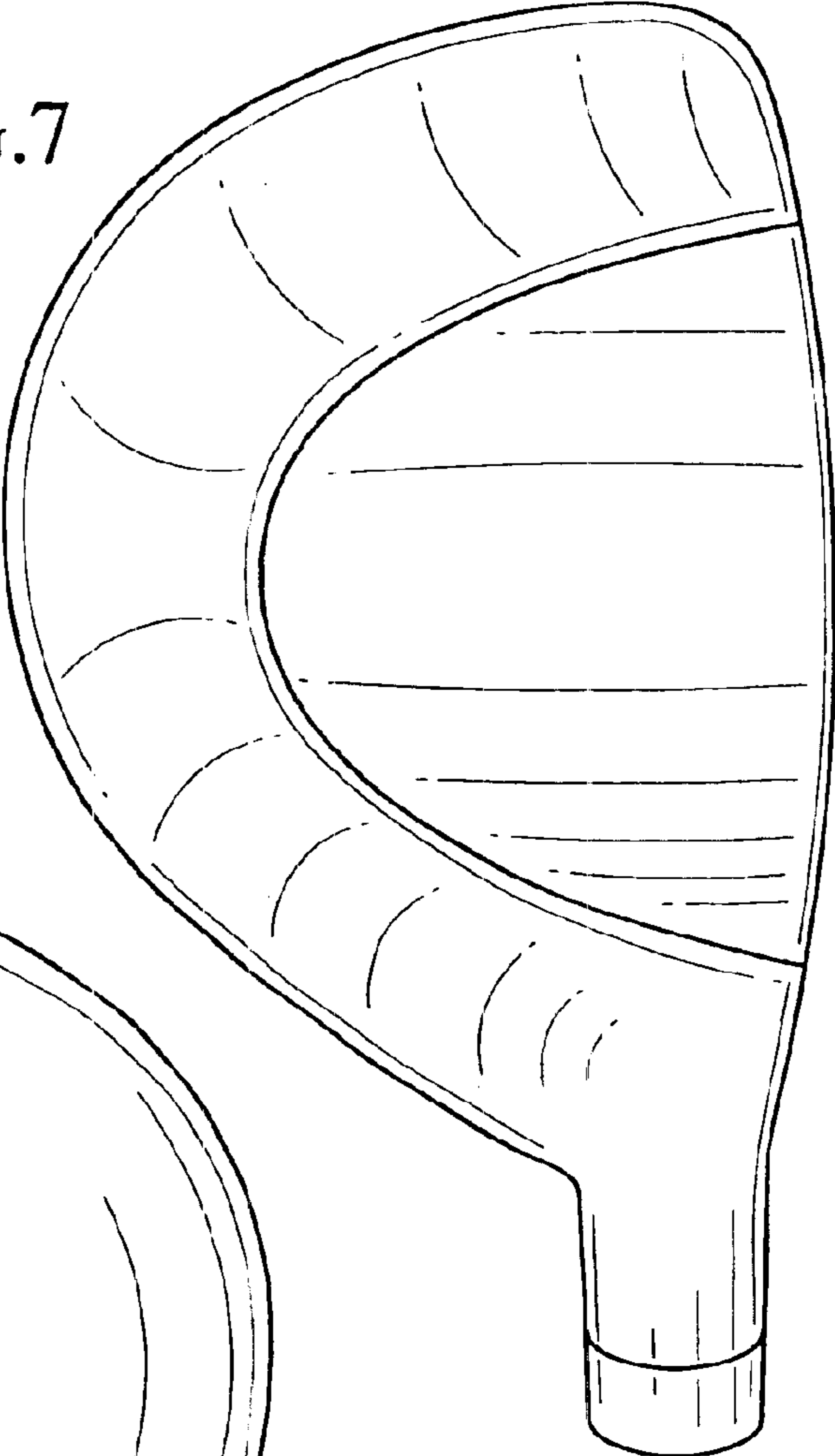


FIG.6

