

US00D502230S

(12) **United States Design Patent**
Chen

(10) **Patent No.:** **US D502,230 S**

(45) **Date of Patent:** **** Feb. 22, 2005**

(54) **EXERCISE MACHINE**

(76) **Inventor:** **James Chen**, No. 35, Tun Hi Rd., Chin Chan Li, Sa Lu Chen, Taichung Hsien (TW)

(**) **Term:** **14 Years**

(21) **Appl. No.:** **29/191,992**

(22) **Filed:** **Oct. 17, 2003**

(51) **LOC (7) Cl.** **21-02**

(52) **U.S. Cl.** **D21/676; D21/673**

(58) **Field of Search** D21/662, 673, D21/674, 675, 676, 690; 482/129, 130, 131, 133, 138, 51, 97

(56) **References Cited**

U.S. PATENT DOCUMENTS

D329,672 S	*	9/1992	Shieh	D21/676
5,338,277 A	*	8/1994	Yang	482/130
5,387,171 A	*	2/1995	Casey et al.	482/130
5,616,111 A	*	4/1997	Randolph	482/133
5,624,361 A	*	4/1997	Lai	482/130

D384,117 S	*	9/1997	Piaget et al.	D21/676
D392,702 S	*	3/1998	Sands et al.	D21/676
D472,285 S	*	3/2003	Kuo	D21/676

* cited by examiner

Primary Examiner—Philip S. Hyder
(74) *Attorney, Agent, or Firm*—Browdy and Neimark, P.L.L.C.

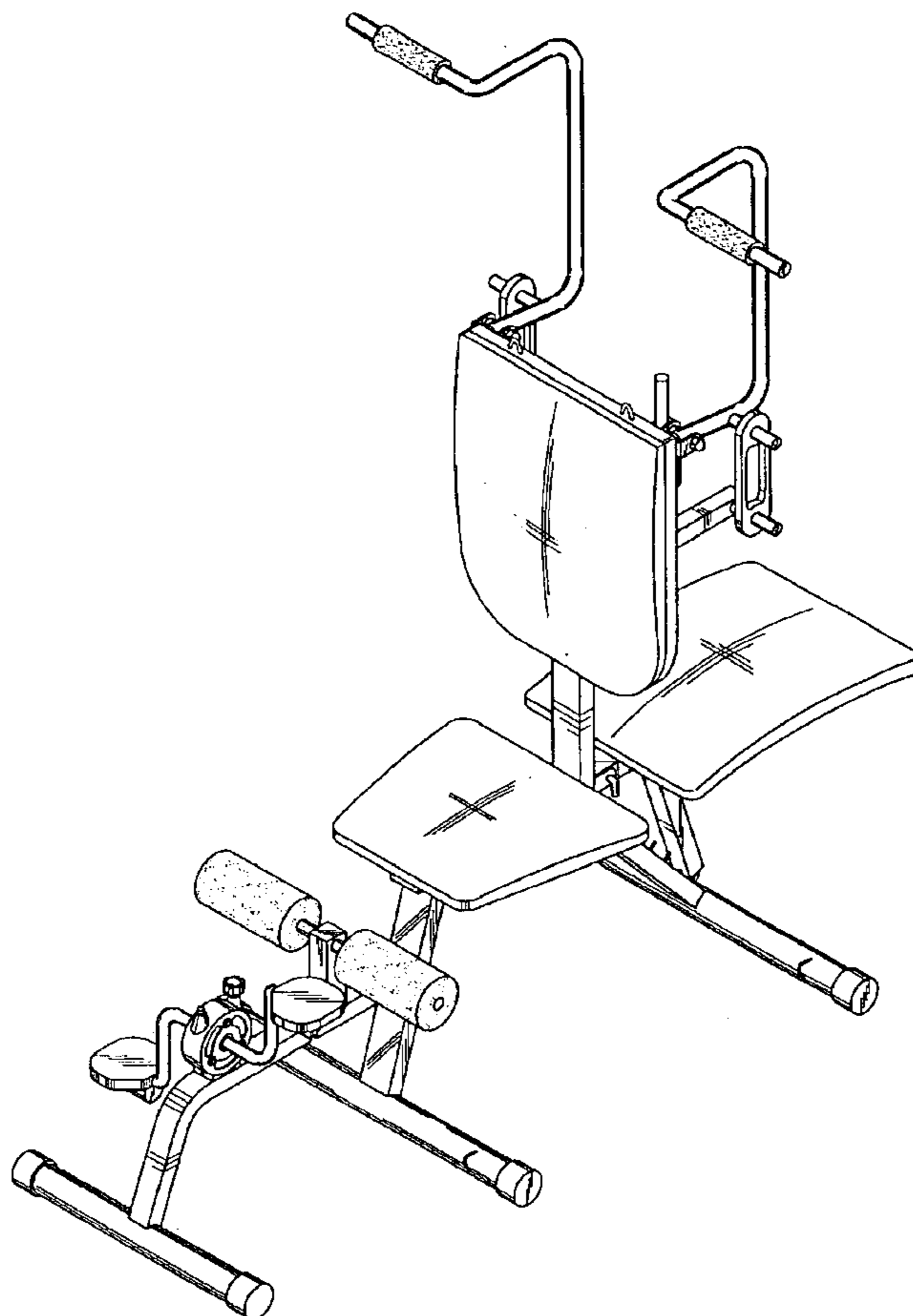
(57) **CLAIM**

The ornamental design for an exercise machine, as shown.

DESCRIPTION

FIG. 1 shows a perspective view of the present design.
FIG. 2 shows a right side elevational view of the present design.
FIG. 3 shows a top plan view of the present design.
FIG. 4 shows a front elevational view of the present design.
FIG. 5 shows a bottom plan view of the present design.
FIG. 6 shows a left side elevational view of the present design; and,
FIG. 7 shows a rear elevational view of the present design.

1 Claim, 7 Drawing Sheets



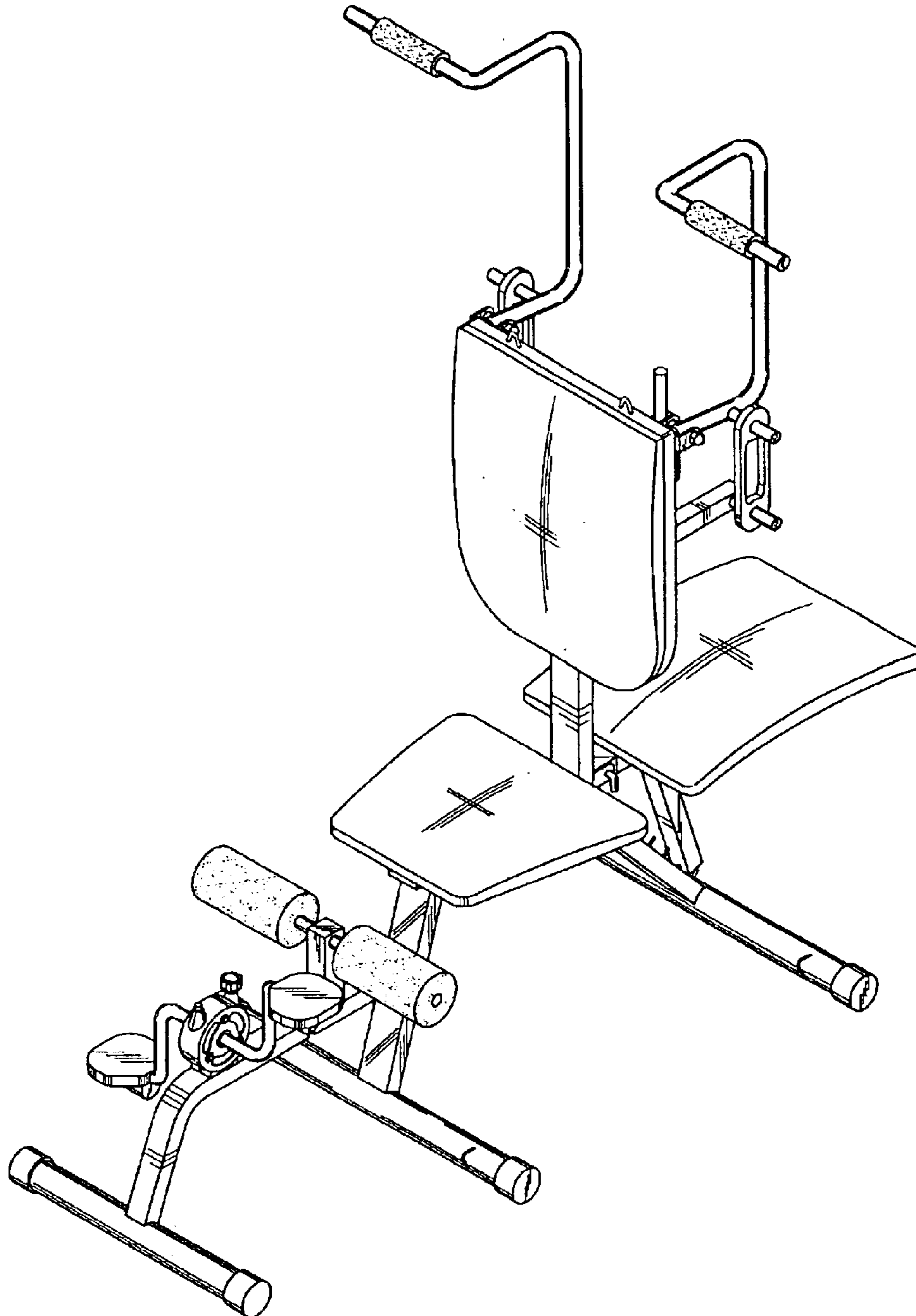


FIG. 1

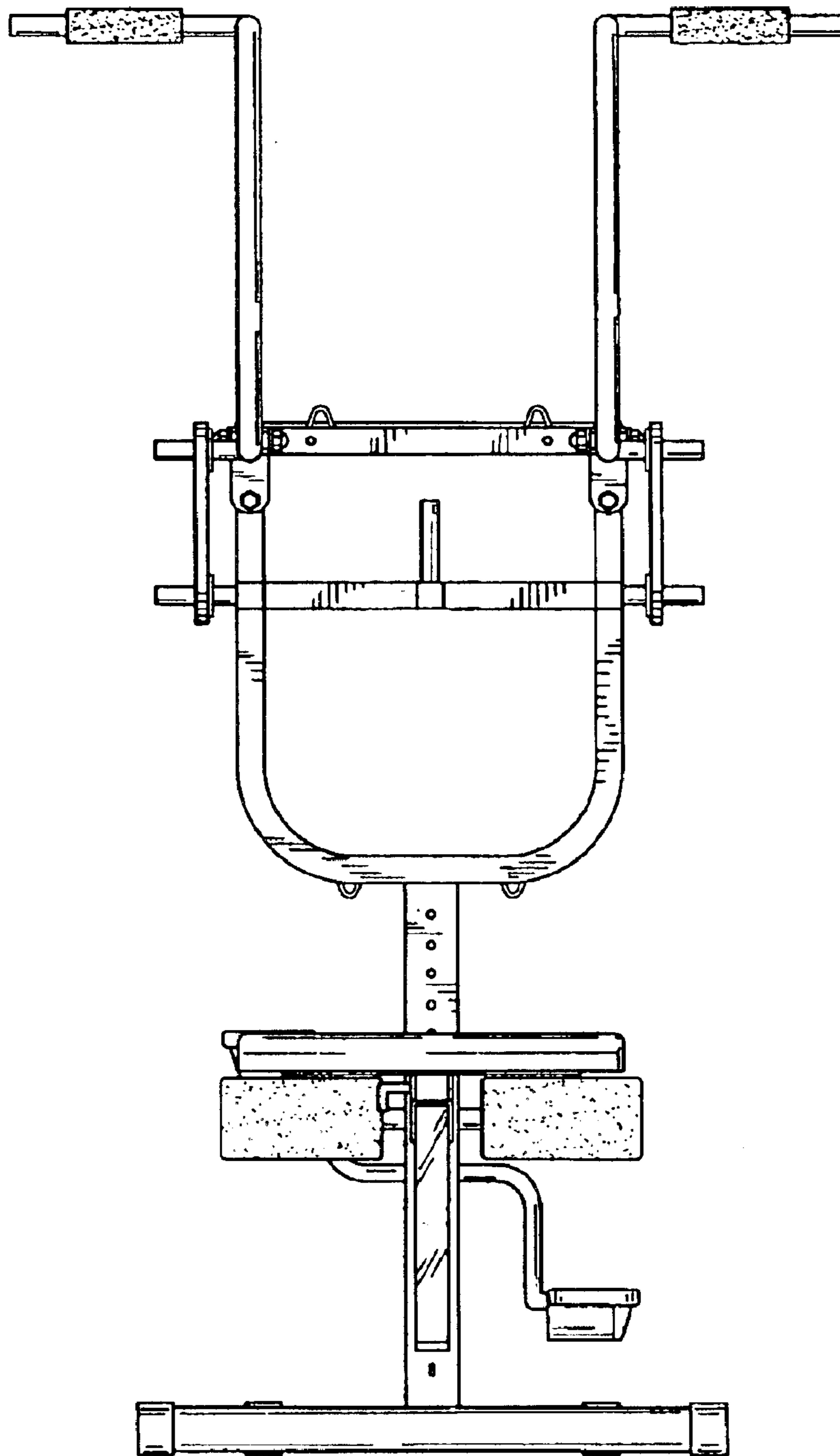


FIG. 2

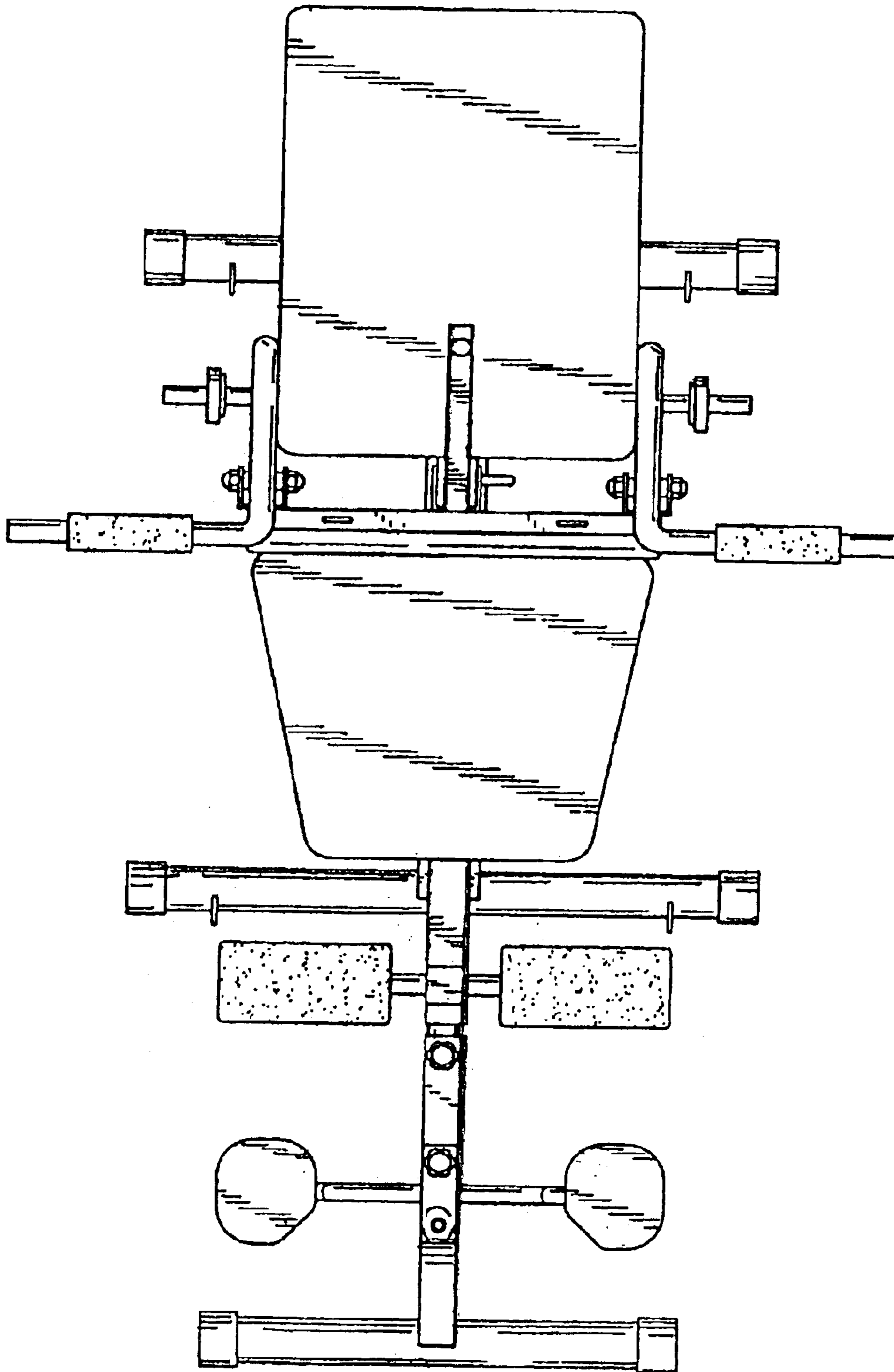


FIG. 3

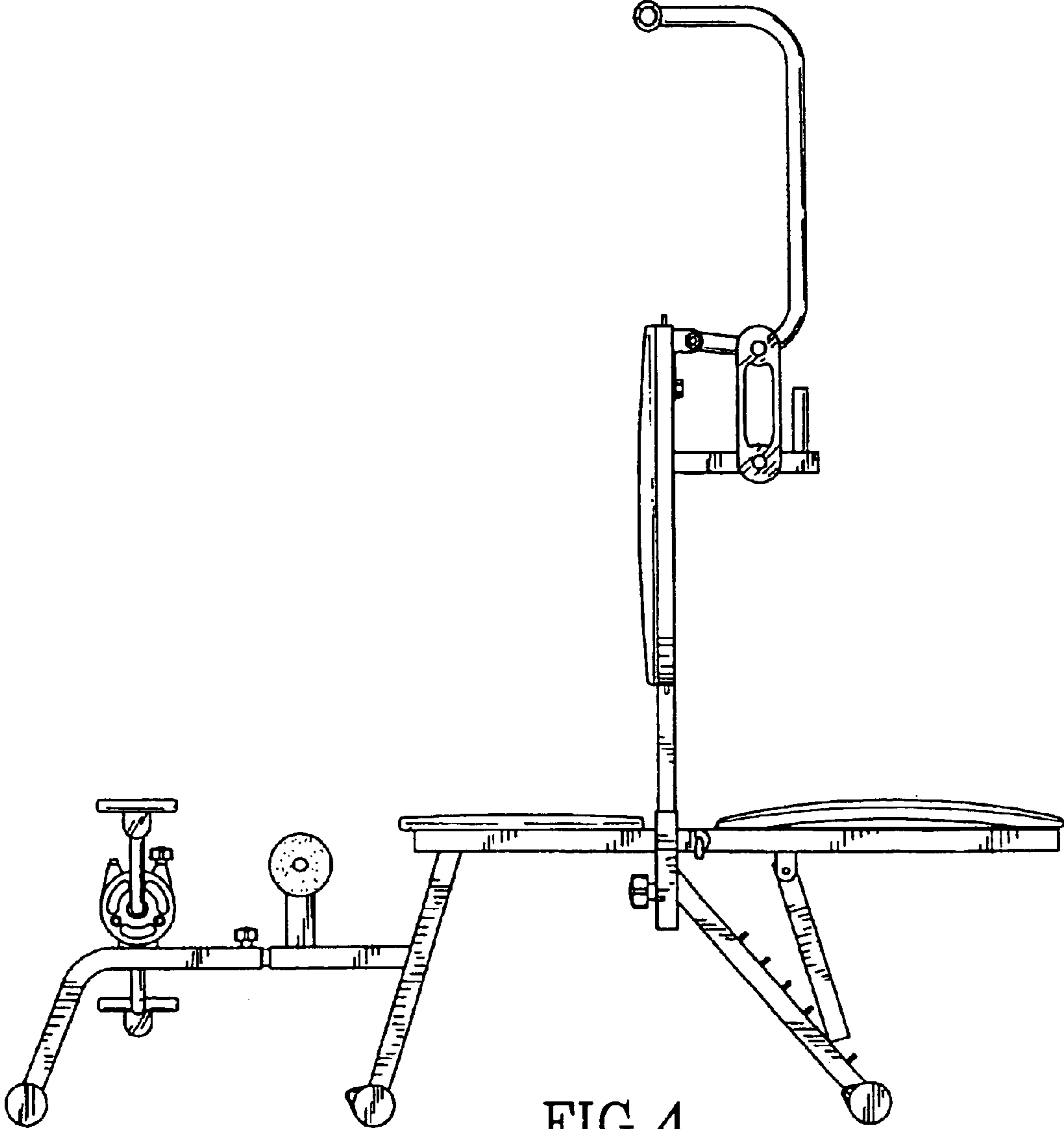


FIG. 4

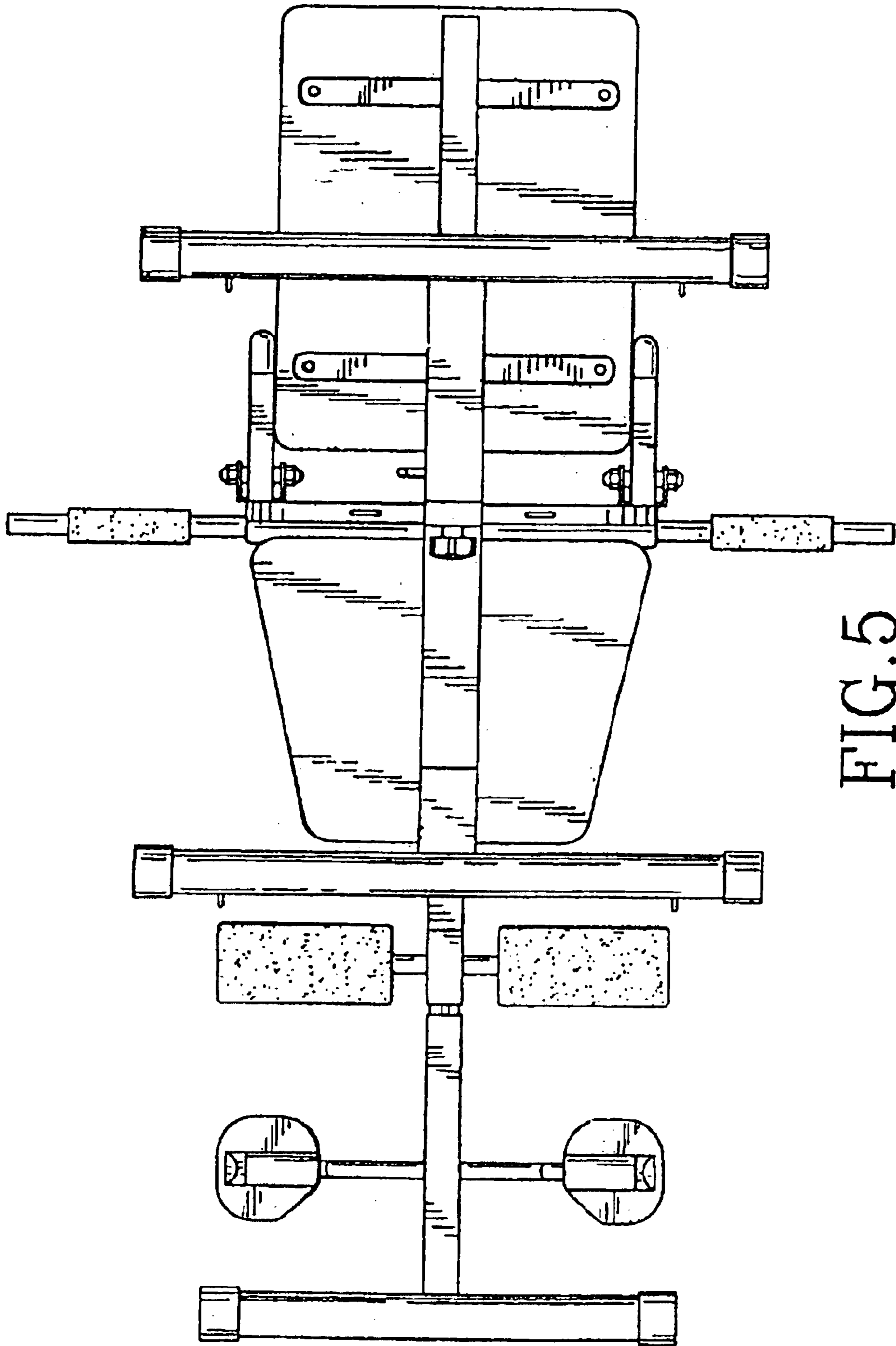


FIG. 5

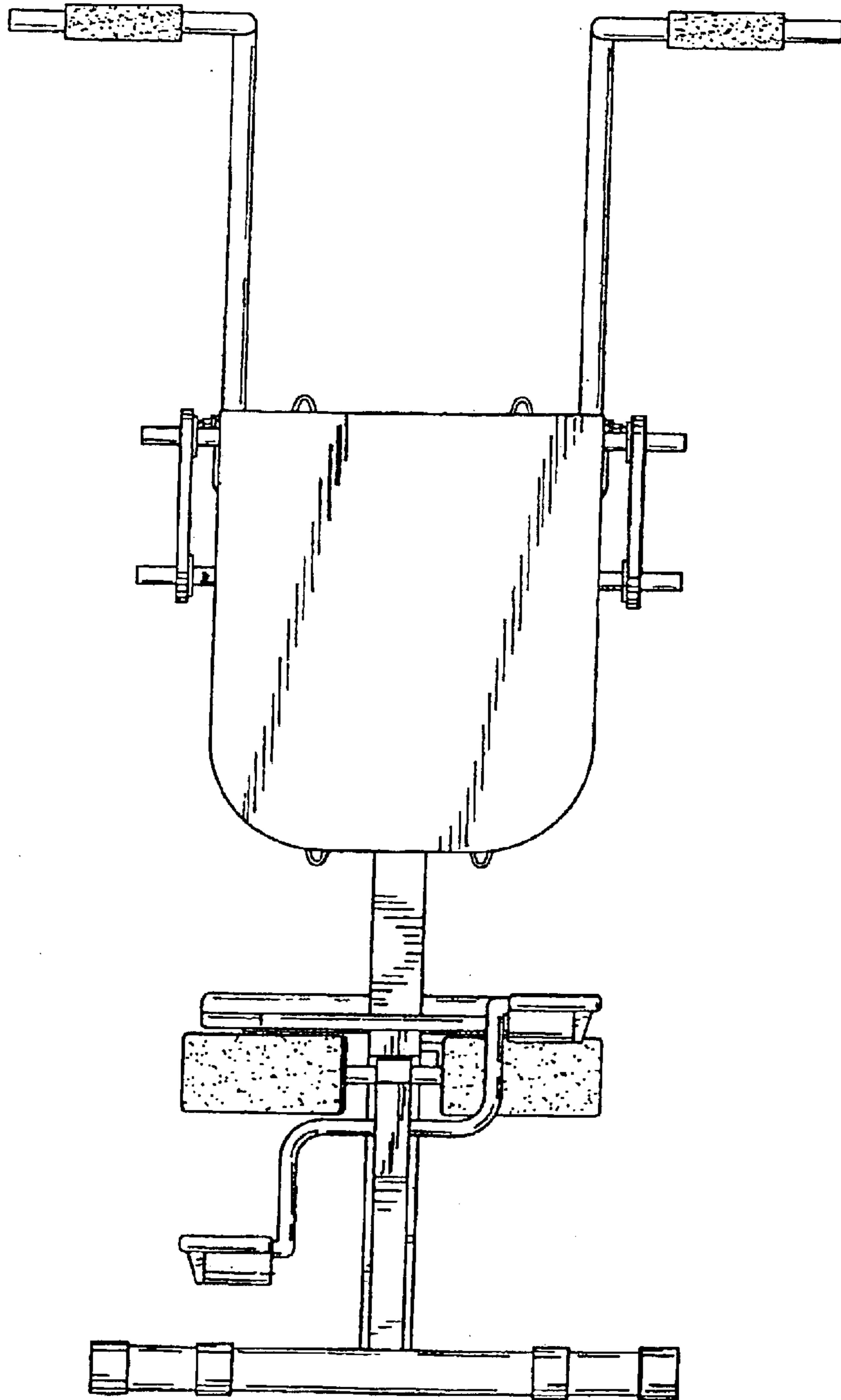


FIG. 6

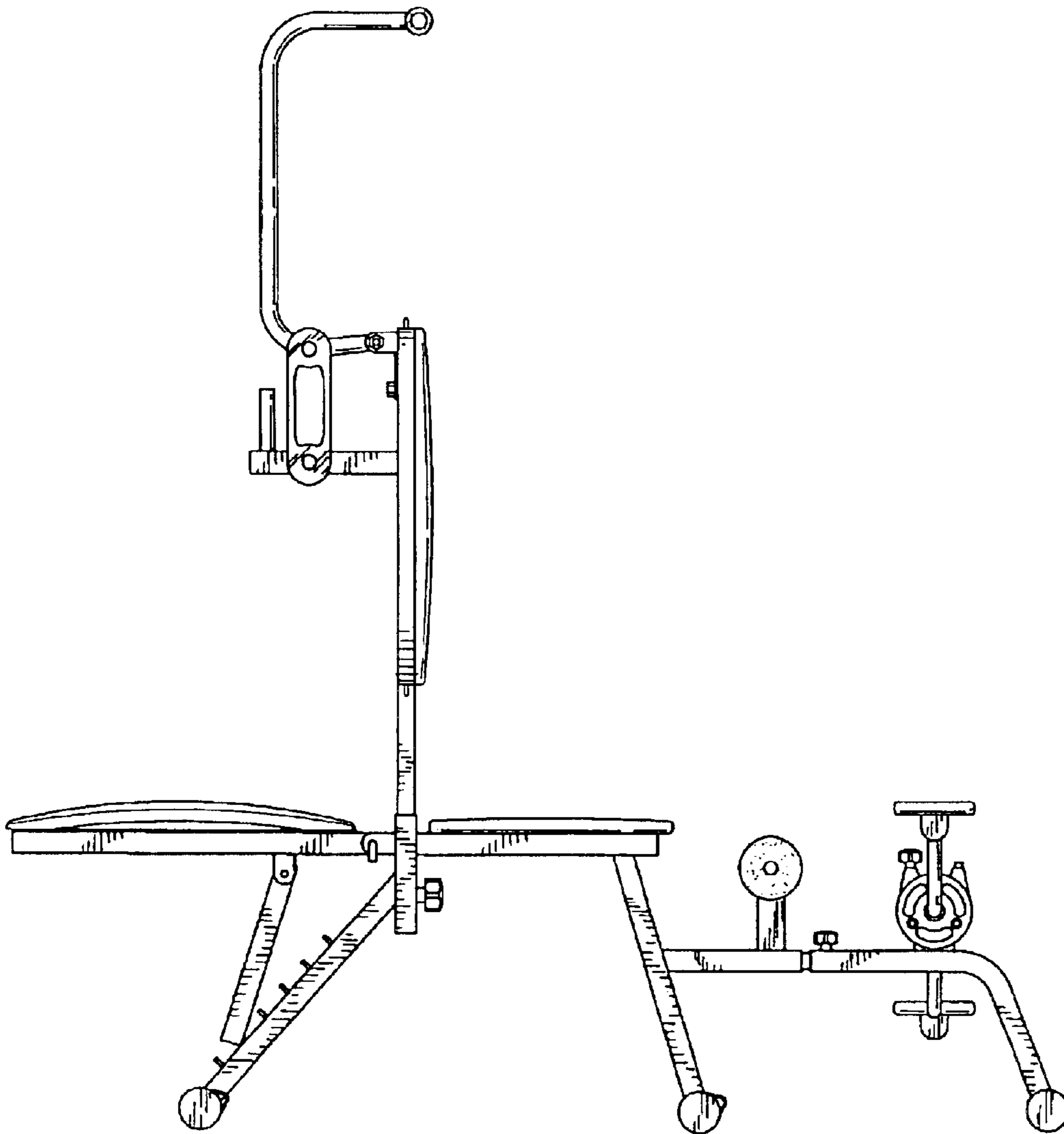


FIG. 7