

US00D502229S

(12) **United States Design Patent**
Tremayne

(10) **Patent No.: US D502,229 S**
(45) **Date of Patent: ** Feb. 22, 2005**

(54) **EXERCISE DEVICE FOR USE WITH A CHAIR**

(76) **Inventor: Terrence Colin Tremayne, 46 Alma Road, St Kilda, Victoria, 3182 (AU)**

(**) **Term: 14 Years**

(21) **Appl. No.: 29/186,735**

(22) **Filed: Jul. 23, 2003**

(30) **Foreign Application Priority Data**

Feb. 11, 2003 (AU) 435/2003

(51) **LOC (7) Cl. 21-02**

(52) **U.S. Cl. D21/673; D21/676; D21/662**

(58) **Field of Search D21/673, 674, D21/675, 676, 662, 694; 482/95, 97, 98, 130, 133, 137, 142**

(56) **References Cited**

U.S. PATENT DOCUMENTS

5,002,271 A	3/1991	Gonzales	482/130
5,044,633 A	9/1991	Rice	482/138
5,080,353 A	1/1992	Tench	482/130
5,090,694 A	2/1992	Pauls et al.	482/118
5,110,121 A	5/1992	Foster	482/137
5,116,359 A	5/1992	Moore	606/241
D342,106 S	* 12/1993	Campbell et al.	D21/676
5,324,243 A	6/1994	Wilkinson	482/97

D380,242 S	*	6/1997	Wang et al.	D21/676
5,967,610 A	*	10/1999	Lin	297/340
6,056,675 A		5/2000	Aruin et al.	482/91
6,117,056 A	*	9/2000	Cataldi et al.	482/121
6,159,133 A	*	12/2000	Shugg	482/130

FOREIGN PATENT DOCUMENTS

DE	20000466 U	3/2000
EP	WO 84/04690	5/1983

* cited by examiner

Primary Examiner—Philip S. Hyder

(74) *Attorney, Agent, or Firm*—Barnes & Thornburg LLP

(57) **CLAIM**

The ornamental design for an exercise device for use with a chair, as shown and described.

DESCRIPTION

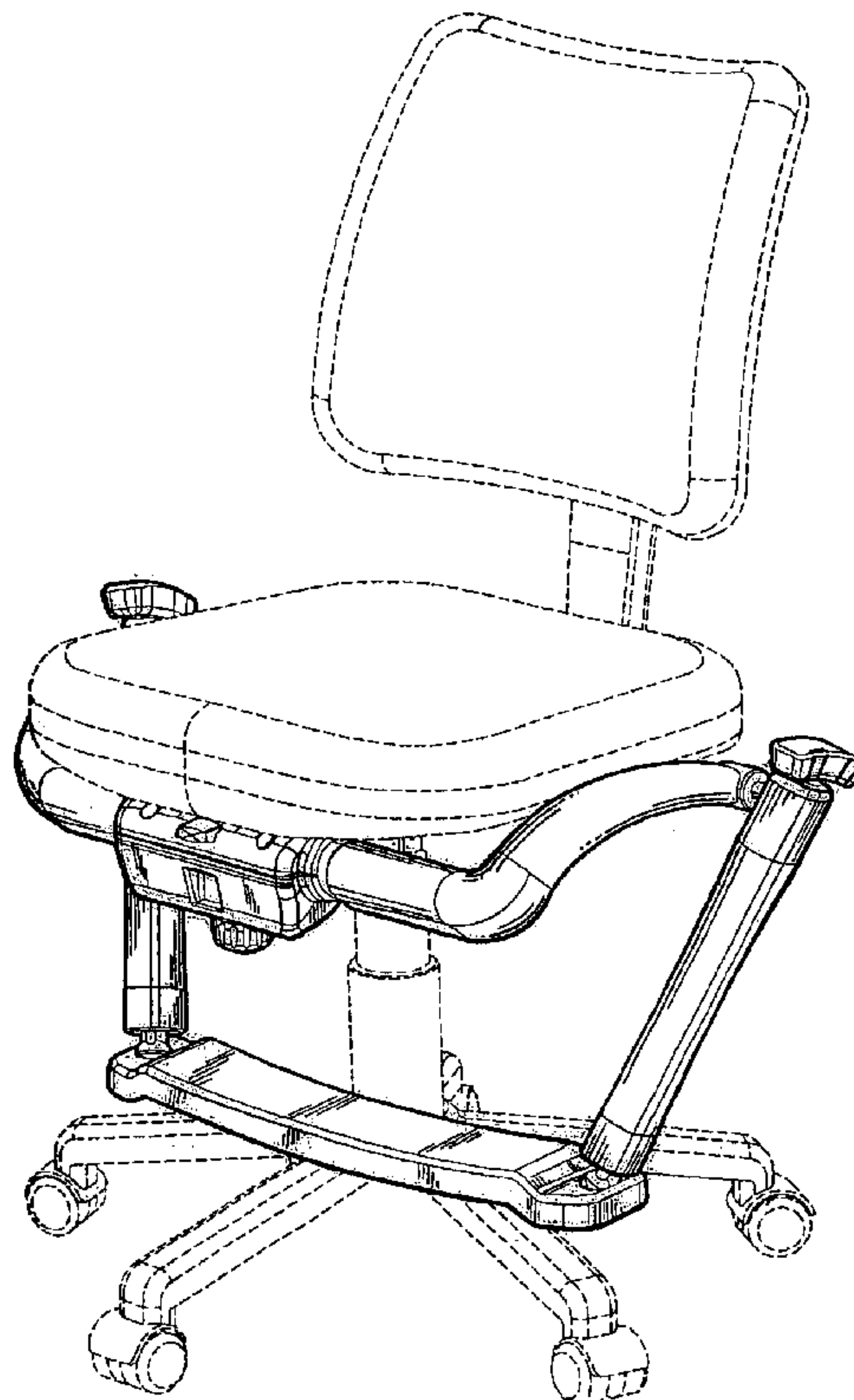
FIG. 1 is a perspective view of an exercise device for use with a chair, showing my new design, wherein the broken line showing of the chair is for illustrative purposes only and forms no part of the claimed design.

FIG. 2 is a left side elevation of the exercise device of FIG. 1, without the chair.

FIG. 3 is a front elevation of the exercise device of FIG. 2; and,

FIG. 4 is a top plan view of the exercise device of FIG. 2.

1 Claim, 4 Drawing Sheets



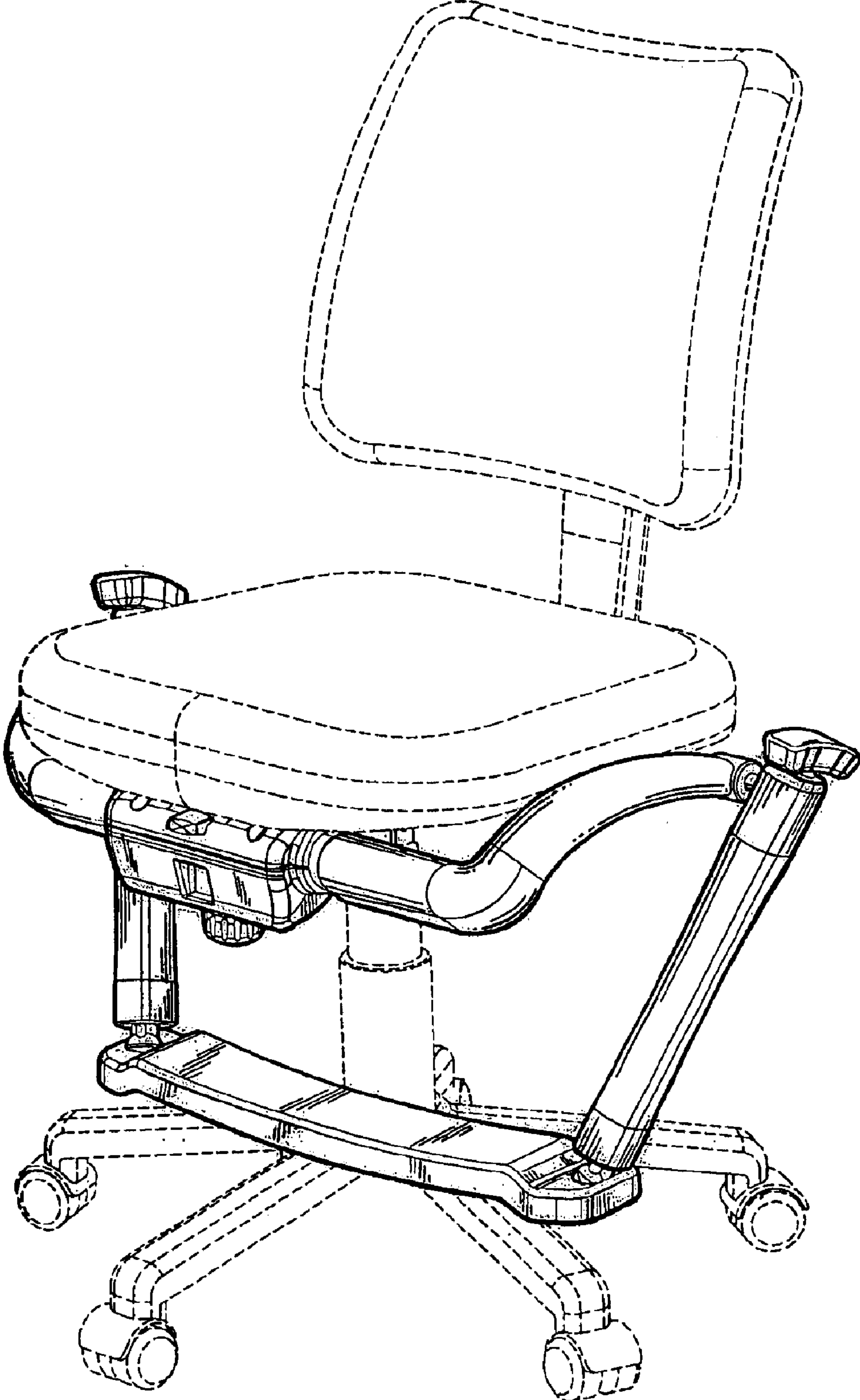


Fig. 1

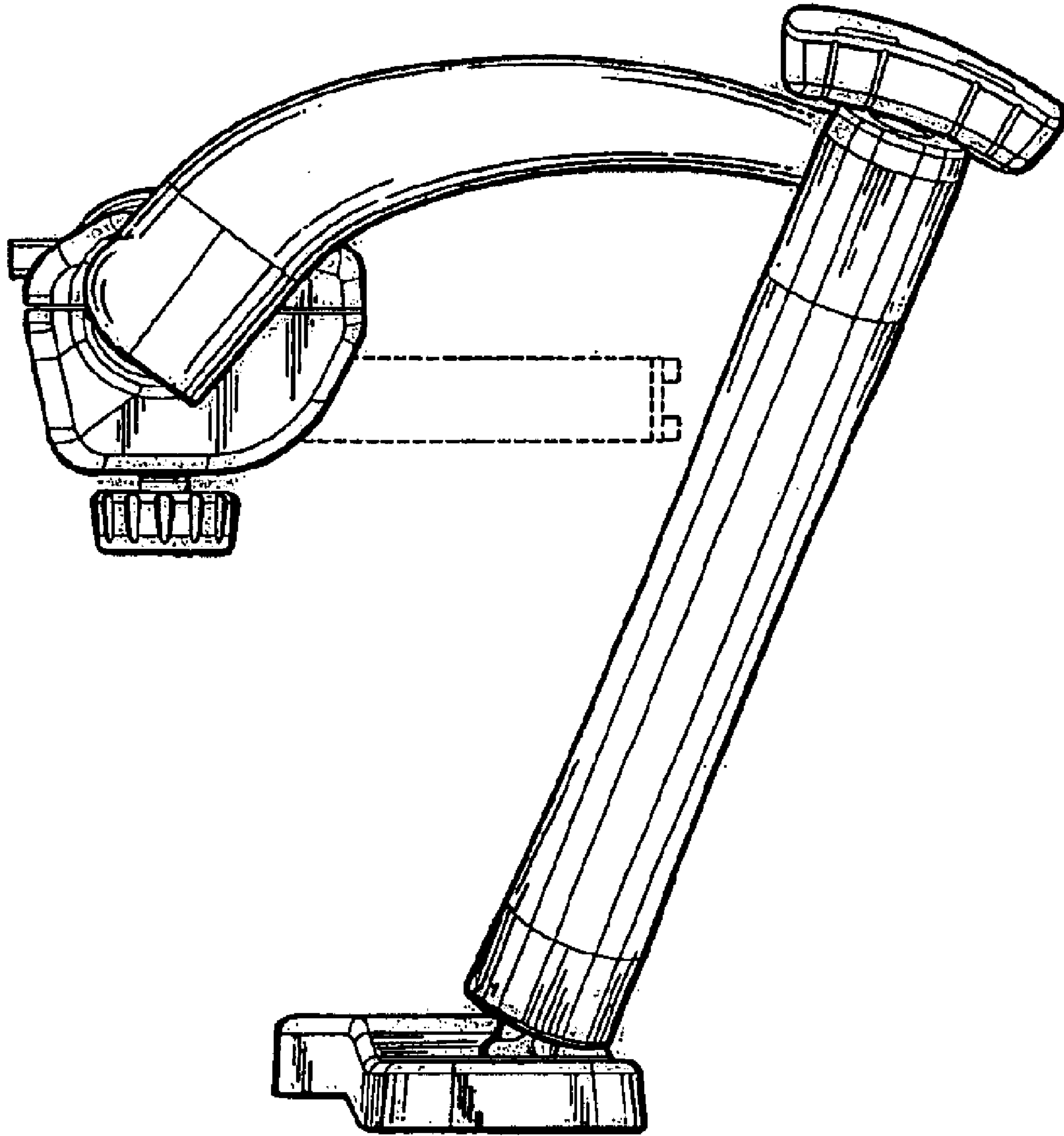


Fig. 2

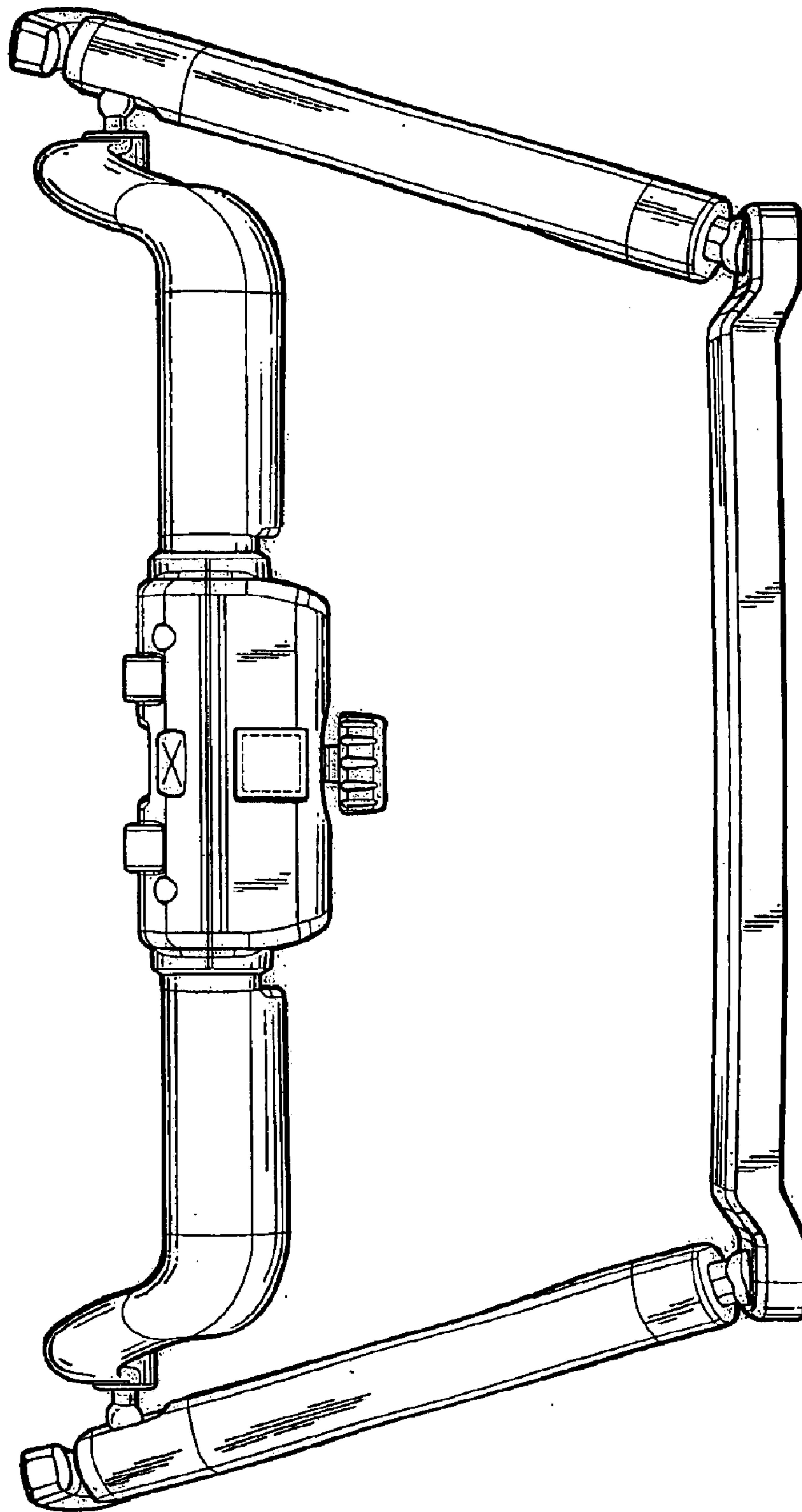


Fig. 3

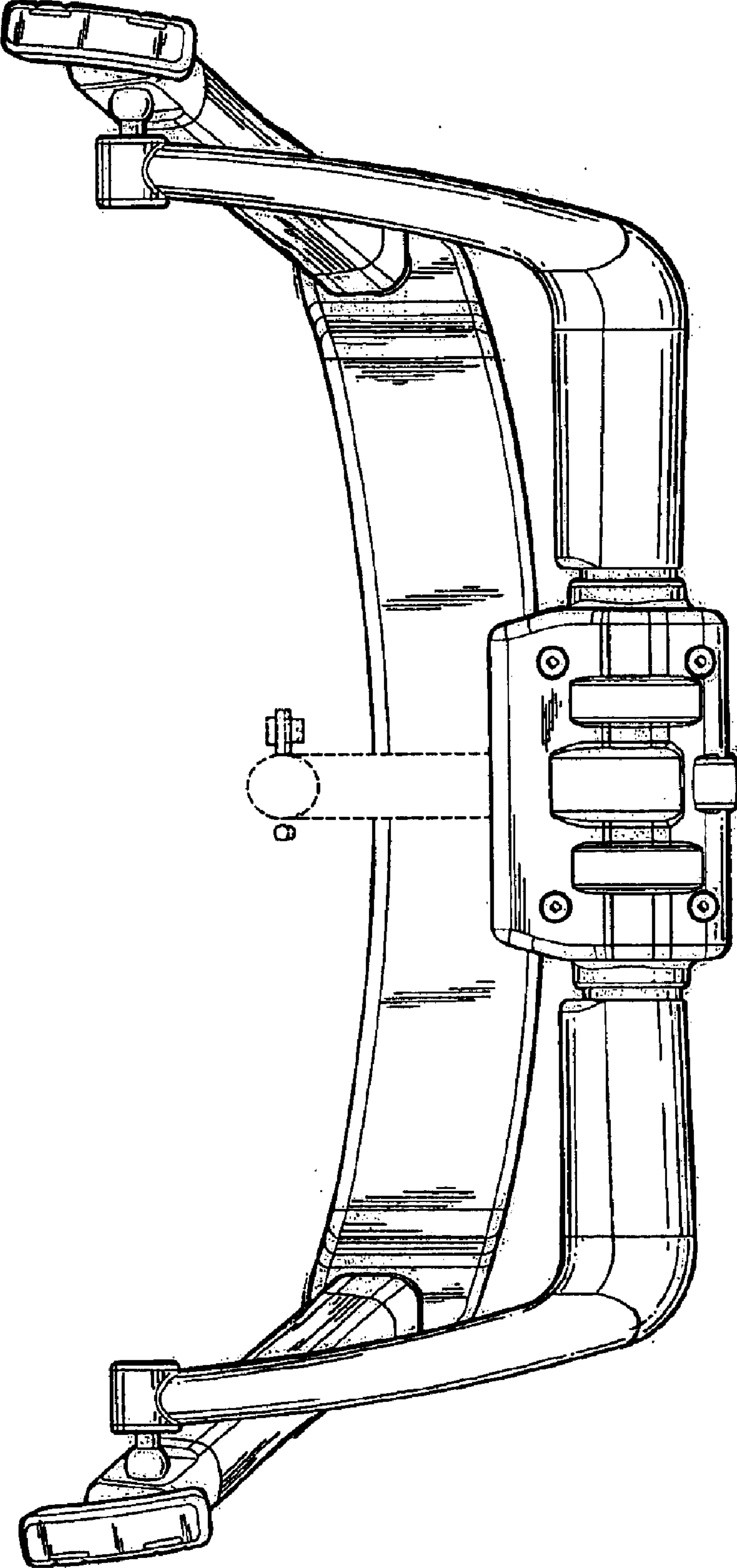


Fig. 4