

US00D502224S

(12) **United States Design Patent**
Eguchi et al.

(10) **Patent No.:** **US D502,224 S**
(45) **Date of Patent:** **** Feb. 22, 2005**

(54) **HANDSET**

(75) **Inventors:** **Shunjiro Eguchi, Salo (FI); Ilkka Husgafvel, Helsinki (FI)**

(73) **Assignee:** **Nokia Corporation, Espoo (FI)**

(**) **Term:** **14 Years**

(21) **Appl. No.:** **29/180,899**

(22) **Filed:** **May 2, 2003**

(30) **Foreign Application Priority Data**

Nov. 4, 2002 (FI) M20020652

(51) **LOC (7) Cl.** **21-01**

(52) **U.S. Cl.** **D21/329**

(58) **Field of Search** D21/324, 329,
D21/328, 331, 333; D14/400, 401; 273/148 B;
463/1, 2, 29-35, 46, 47

(56) **References Cited**

U.S. PATENT DOCUMENTS

5,046,739 A * 9/1991 Reichow 273/148 B
5,184,830 A * 2/1993 Okada et al. 463/29
5,428,528 A * 6/1995 Takenouchi et al. 463/42
D394,461 S * 5/1998 Liu D21/329
D400,596 S * 11/1998 Keung et al. D21/329

D405,125 S * 2/1999 Yokoi D21/329
D407,760 S * 4/1999 Yokoi D21/329
D429,287 S * 8/2000 Nara et al. D21/329
D460,493 S * 7/2002 Griffin et al. D21/329

FOREIGN PATENT DOCUMENTS

WO DM/058 924 3/2002

* cited by examiner

Primary Examiner—Prabhakar Deshmukh

(74) *Attorney, Agent, or Firm*—Banner & Witcoff, Ltd.

(57) **CLAIM**

The ornamental design of a handset, as shown and described.

DESCRIPTION

FIG. 1 is a bottom view of a handset showing our new design;

FIG. 2 is a front view thereof;

FIG. 3 is a top plan view thereof;

FIG. 4 is a right side view thereof;

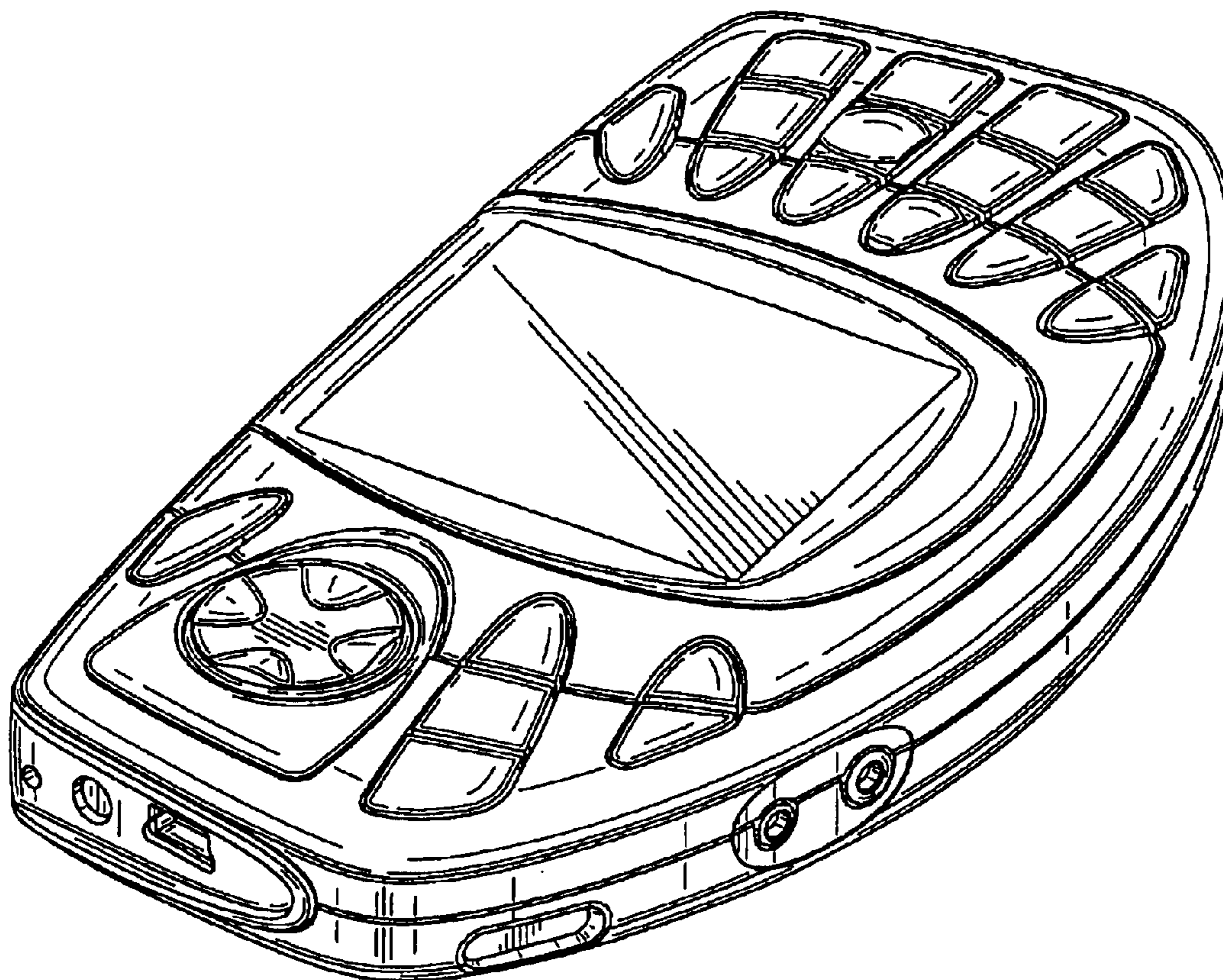
FIG. 5 is a left side view thereof;

FIG. 6 is a rear view thereof;

FIG. 7 is a perspective front view thereof; and,

FIG. 8 is a perspective rear view thereof.

1 Claim, 3 Drawing Sheets



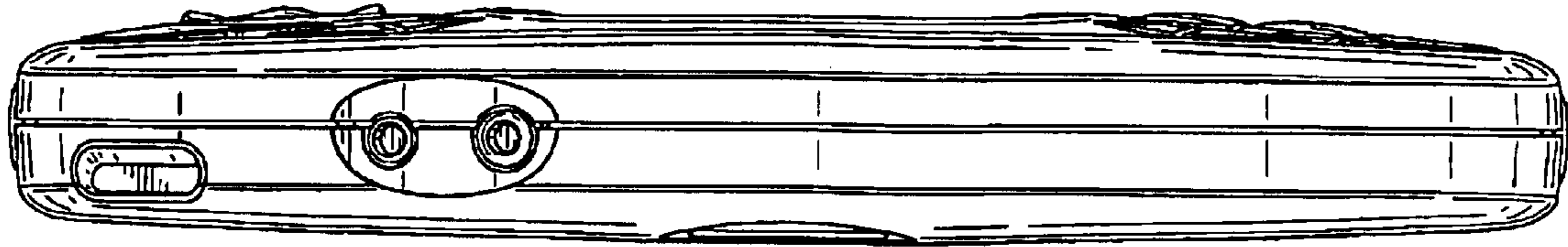


FIG. 1

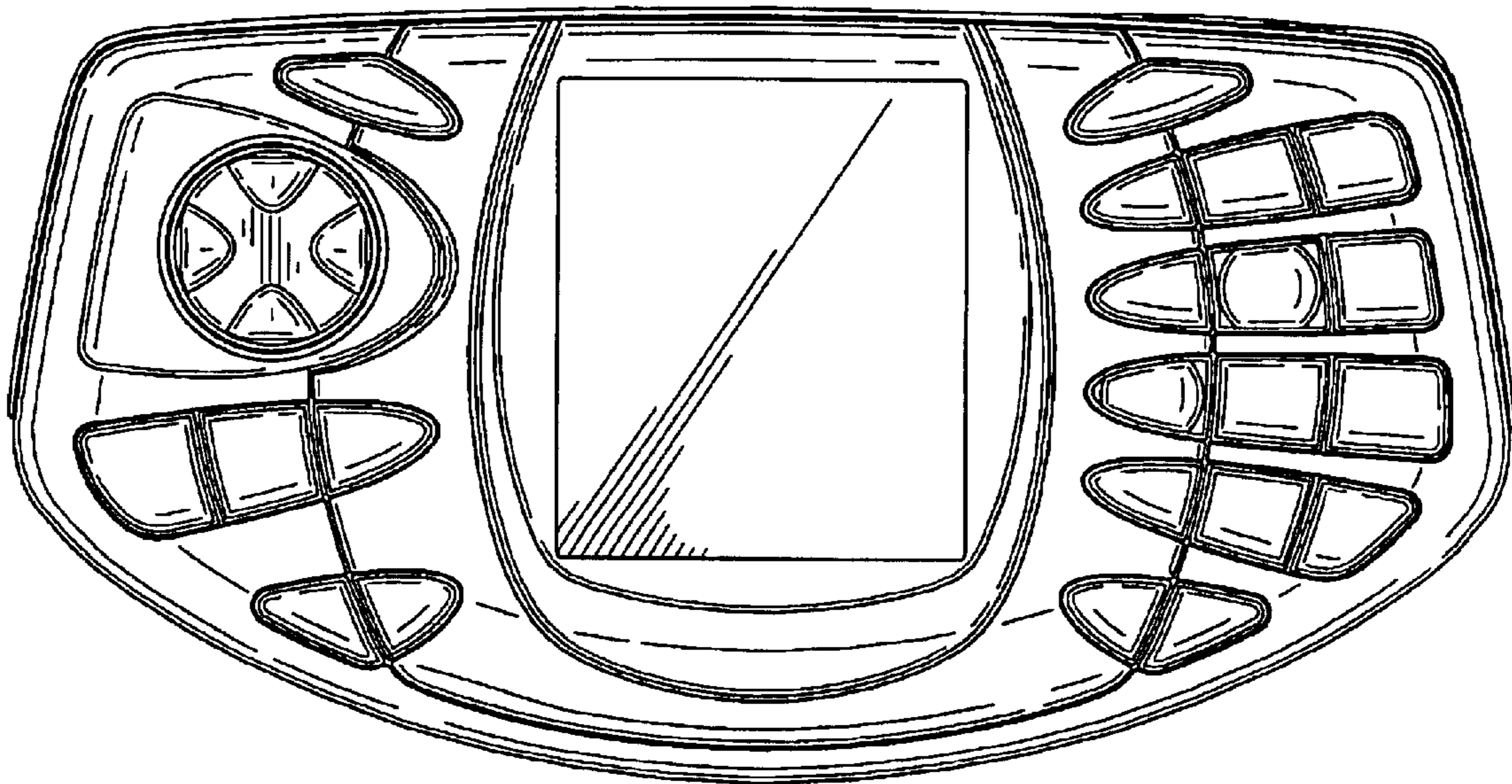


FIG. 2

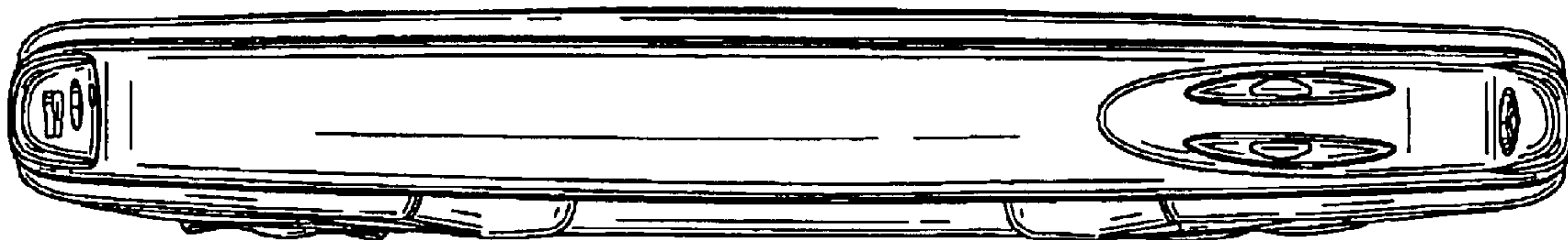


FIG. 3

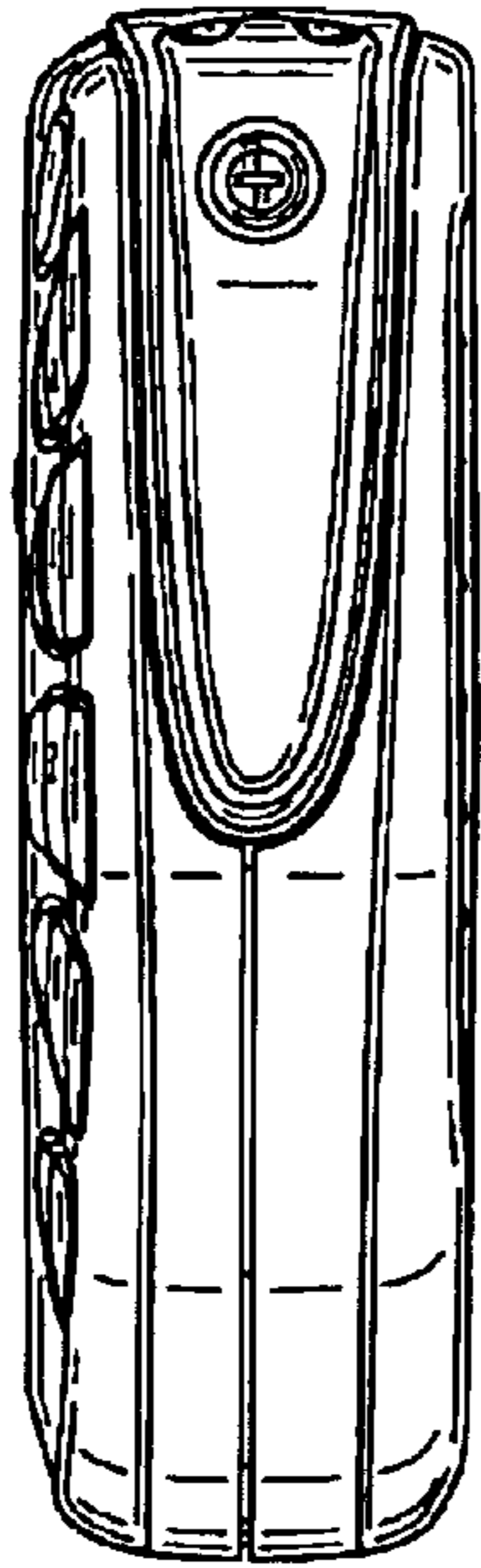


FIG. 4

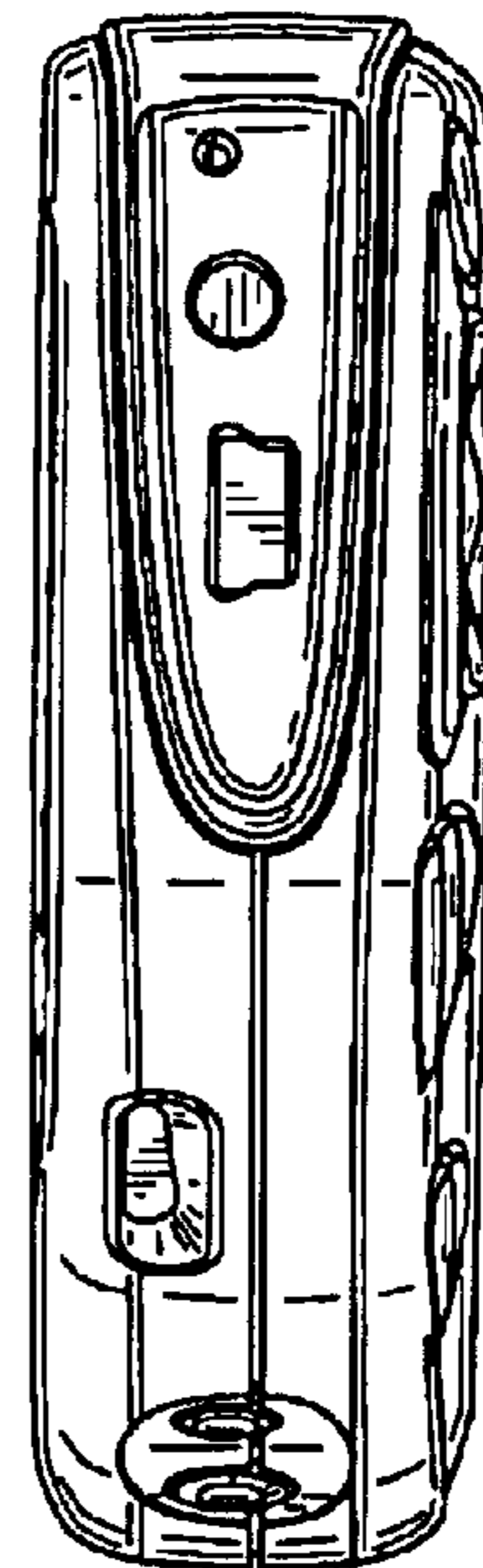


FIG. 5

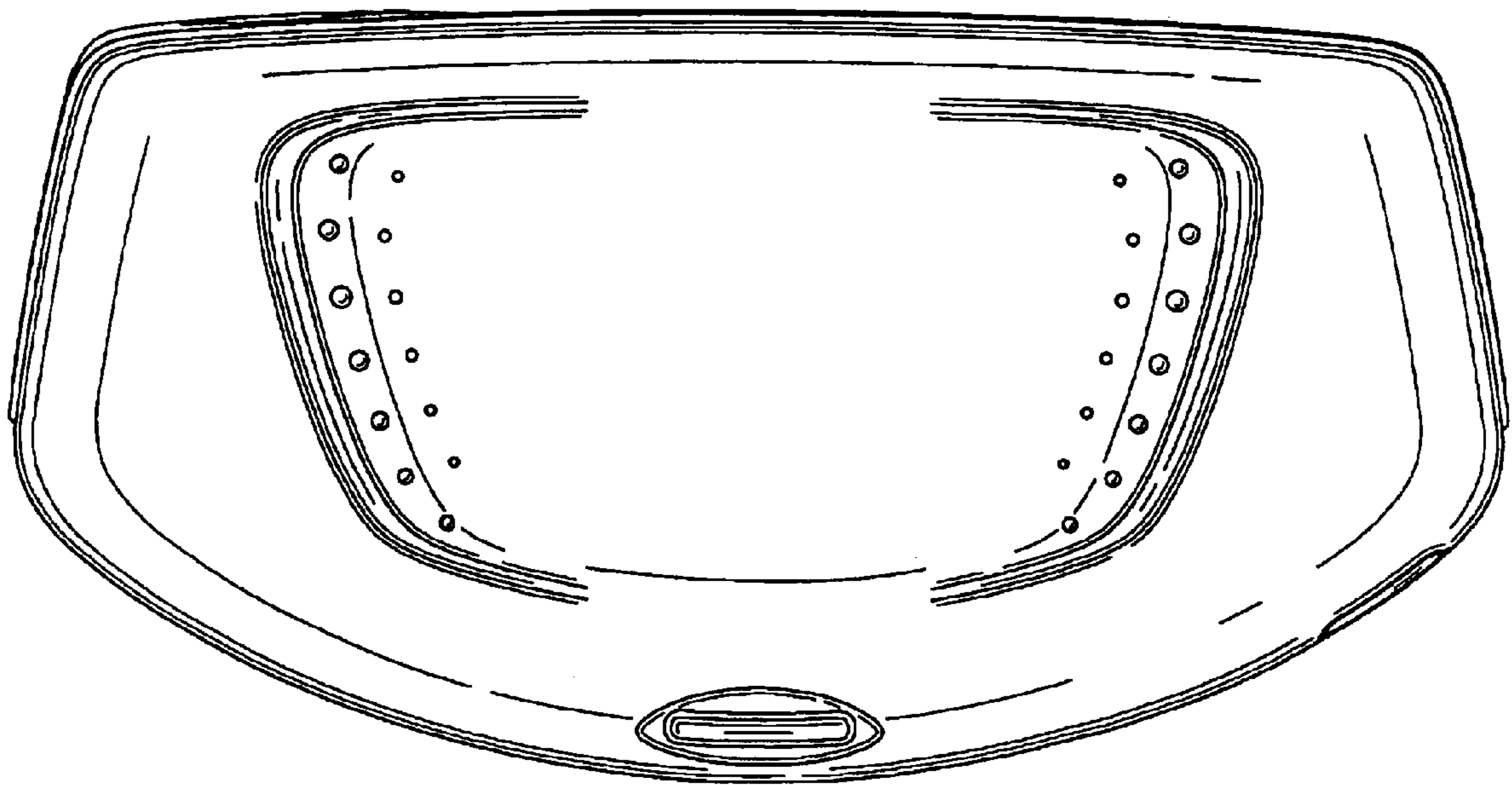


FIG. 6

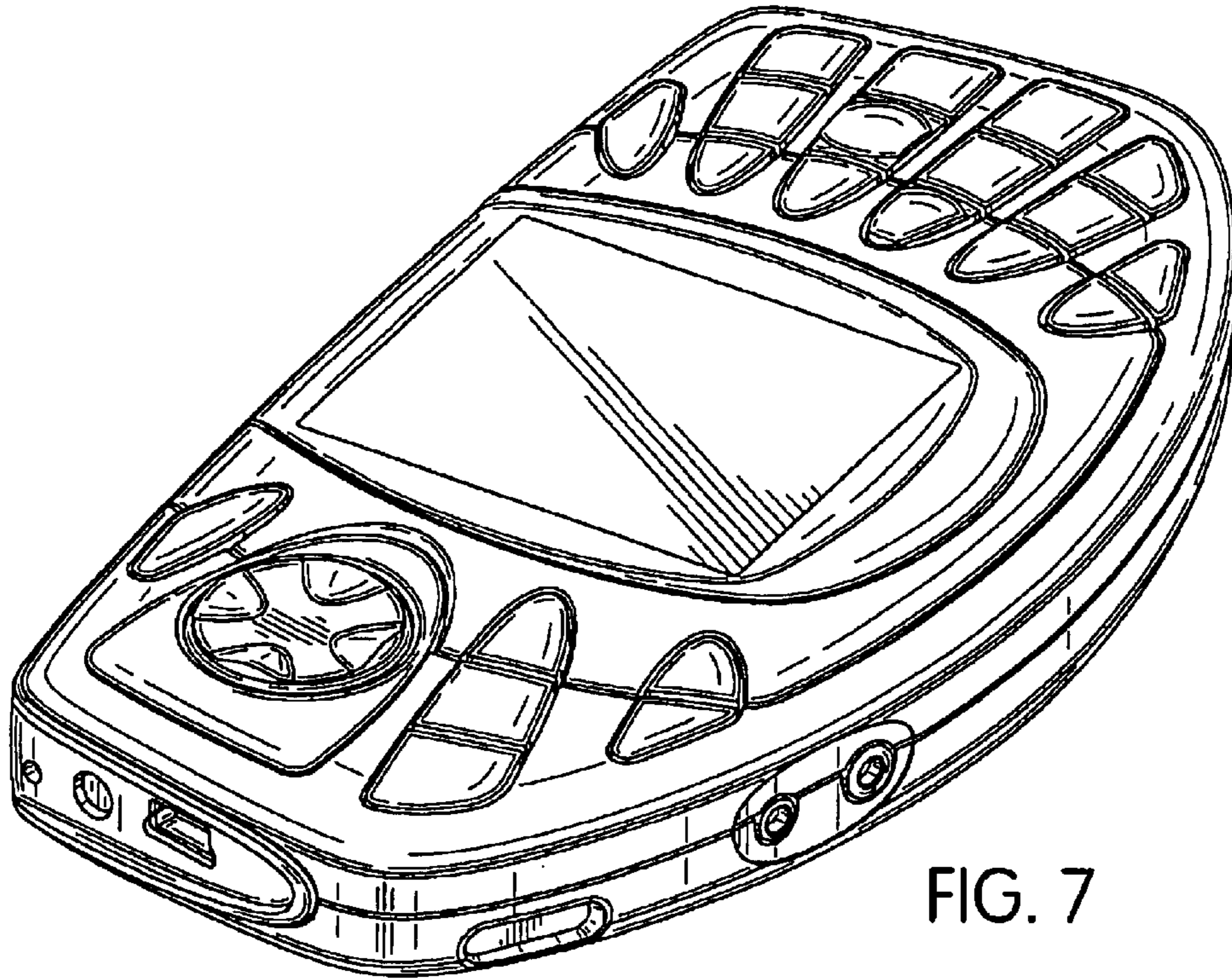


FIG. 7

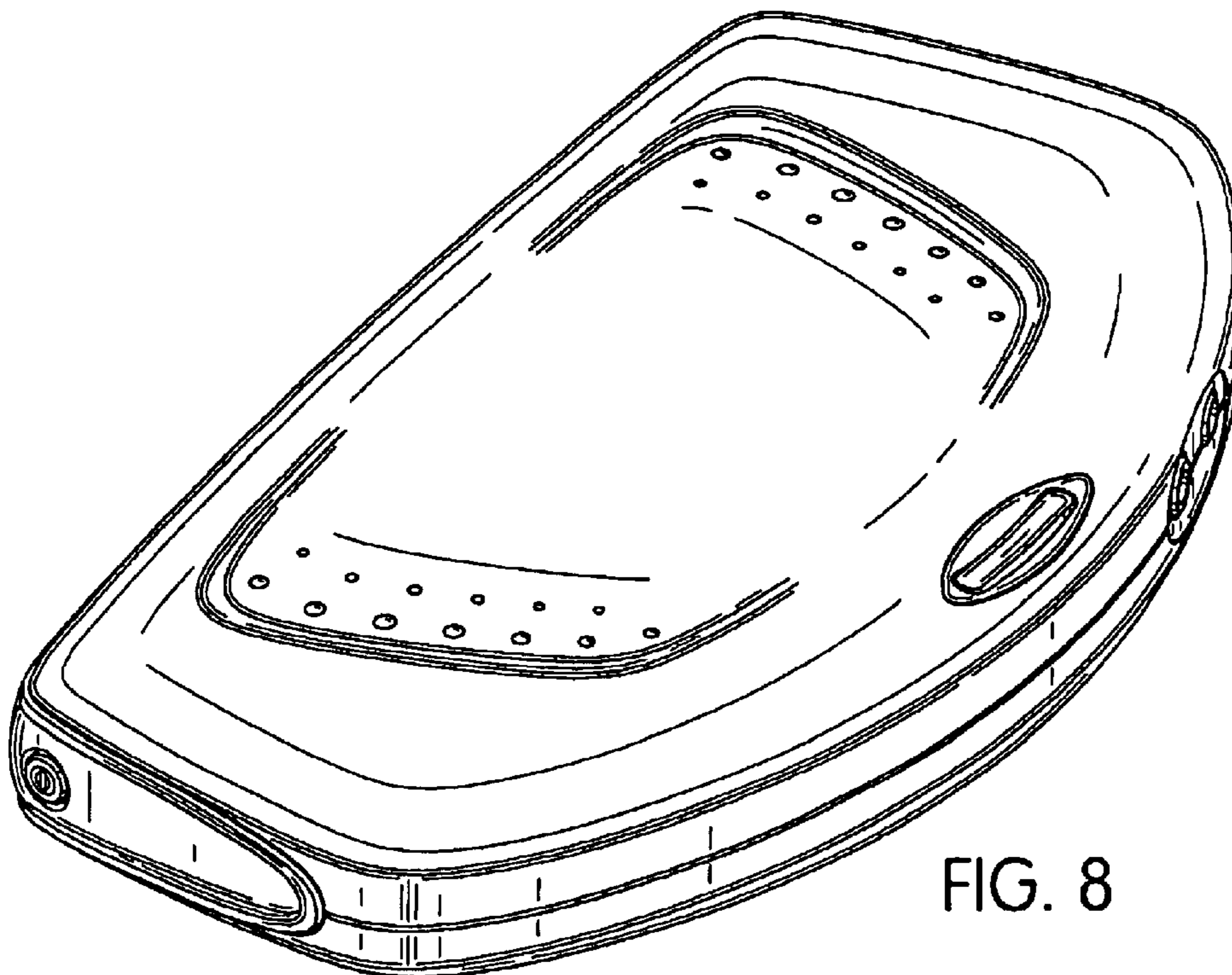


FIG. 8