



US00D502221S

(12) **United States Design Patent** (10) **Patent No.:** **US D502,221 S**  
**Chen et al.** (45) **Date of Patent:** **\*\* Feb. 22, 2005**

(54) **INCLINE SORTER**

(75) Inventors: **Peter Chen**, West Windsor, NJ (US);  
**Kevin Hui-Lien Lee**, East Brunswick,  
NJ (US); **Jungkun Lee**, Edison, NJ  
(US)

(73) Assignee: **Officemate International Corp.**,  
Edison, NJ (US)

(\*\*) Term: **14 Years**

(21) Appl. No.: **29/196,979**

(22) Filed: **Jan. 8, 2004**

(51) **LOC (7) Cl.** ..... **19-02**

(52) **U.S. Cl.** ..... **D19/90; D6/567**

(58) **Field of Search** ..... D19/35, 36, 65,  
D19/75, 76, 77, 78, 90, 91, 92, 95, 99,  
100; 211/10, 11, 45, 42.1, 50, 55, 87.01,  
88.01, 126.01, 126.13; 312/183, 184, 195,  
290; 206/425

(56) **References Cited**

**U.S. PATENT DOCUMENTS**

D176,292 S	*	12/1955	Vernon	.....	D19/78
2,902,166 A	*	9/1959	Bahr	.....	211/11
D215,897 S	*	11/1969	Aydelotte	.....	D19/90
D231,137 S	*	4/1974	Juhlin	.....	D19/90

D258,511 S	*	3/1981	Ashton	.....	D19/90
4,974,733 A	*	12/1990	Evans	.....	211/11
4,974,913 A	*	12/1990	Vogt et al.	.....	312/195
D432,171 S	*	10/2000	Stravitz	.....	D19/90
6,227,384 B1	*	5/2001	Saylor et al.	.....	211/50
D477,364 S	*	7/2003	Tsai	.....	D19/65
D478,355 S	*	8/2003	Chen	.....	D19/90

\* cited by examiner

*Primary Examiner*—Martie K. Holtje

(74) *Attorney, Agent, or Firm*—Daniel Kirshner, Esq.

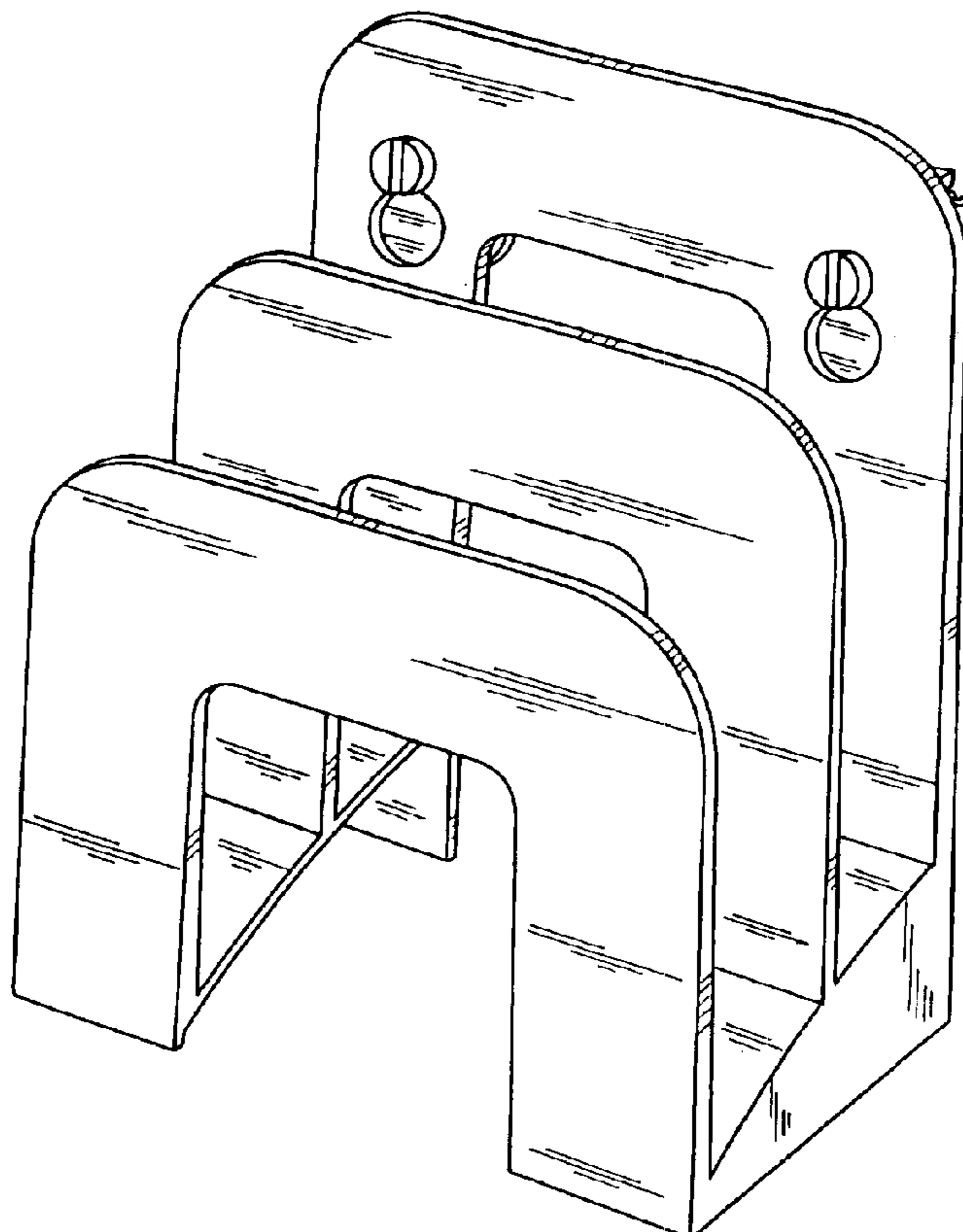
(57) **CLAIM**

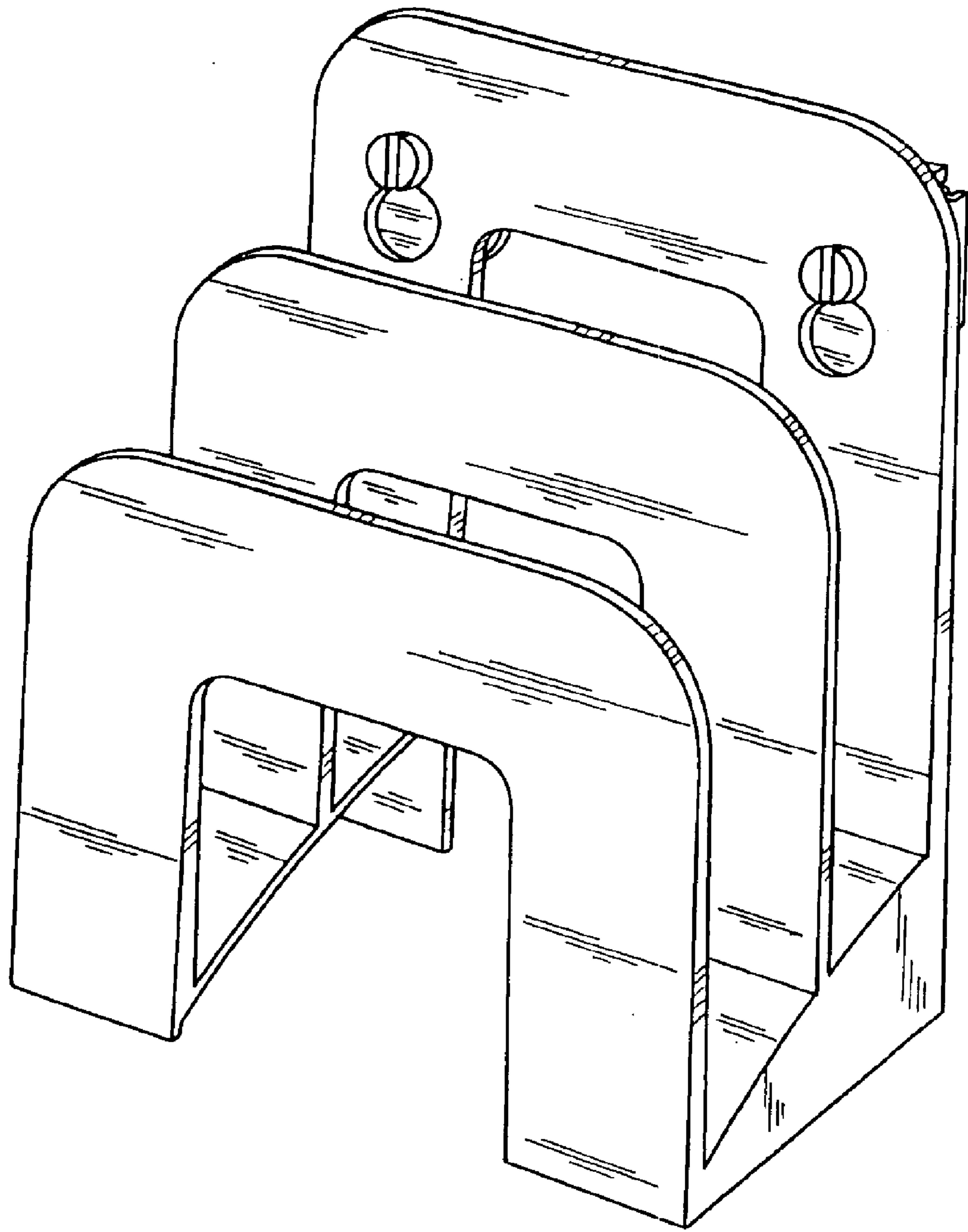
The ornamental design for an incline sorter, as shown and described.

**DESCRIPTION**

FIG. 1 is a front perspective view of an incline sorter showing my new design;  
 FIG. 2 is a front elevational view thereof;  
 FIG. 3 is a rear elevational view thereof;  
 FIG. 4 is right side elevational view thereof;  
 FIG. 5 is a left side elevational view thereof;  
 FIG. 6 is a top plan view thereof;  
 FIG. 7 is a bottom plan view thereof; and,  
 FIG. 8 is a front perspective view thereof in an exploded condition.

**1 Claim, 5 Drawing Sheets**





*FIG. 1*

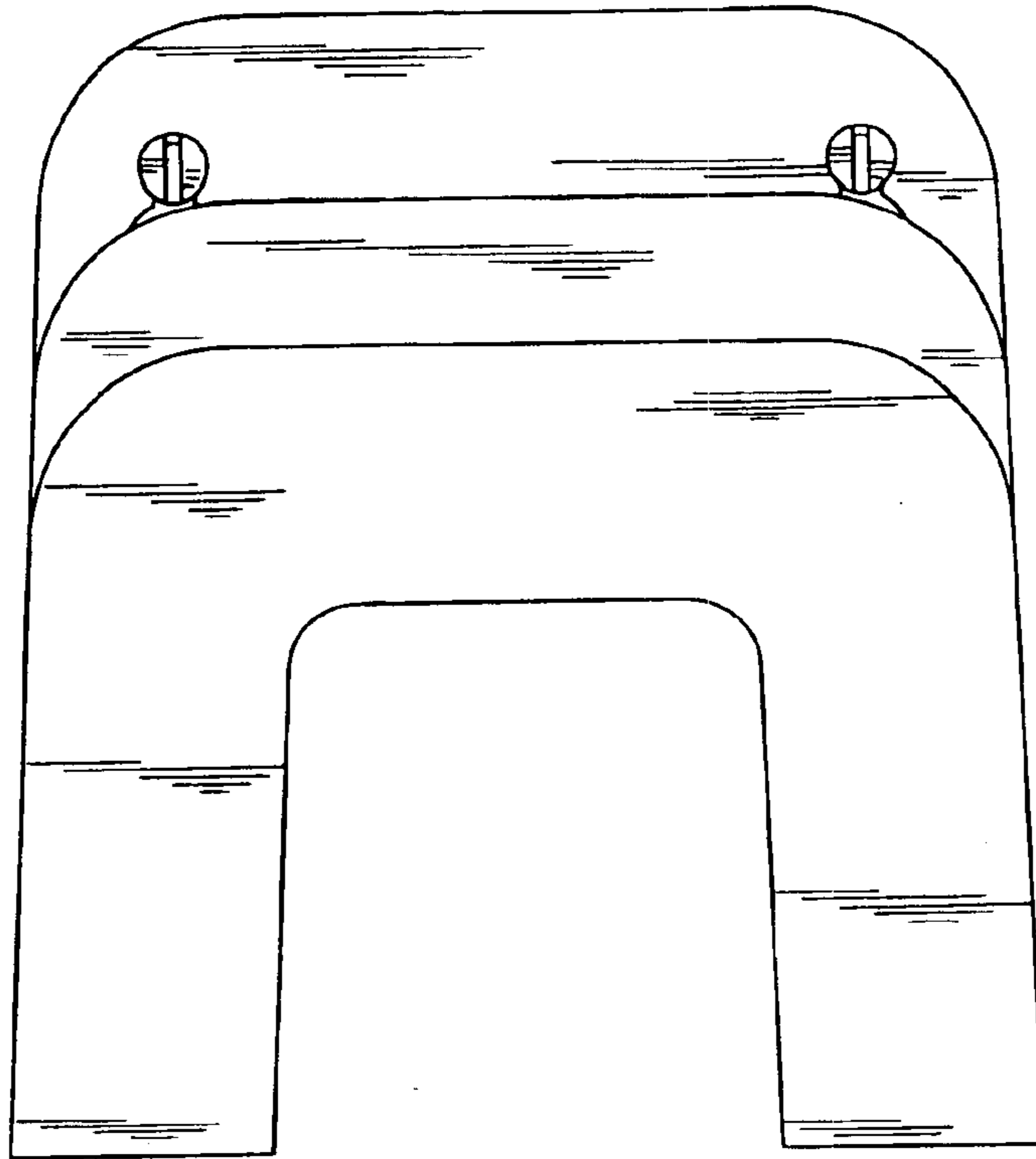


FIG. 2

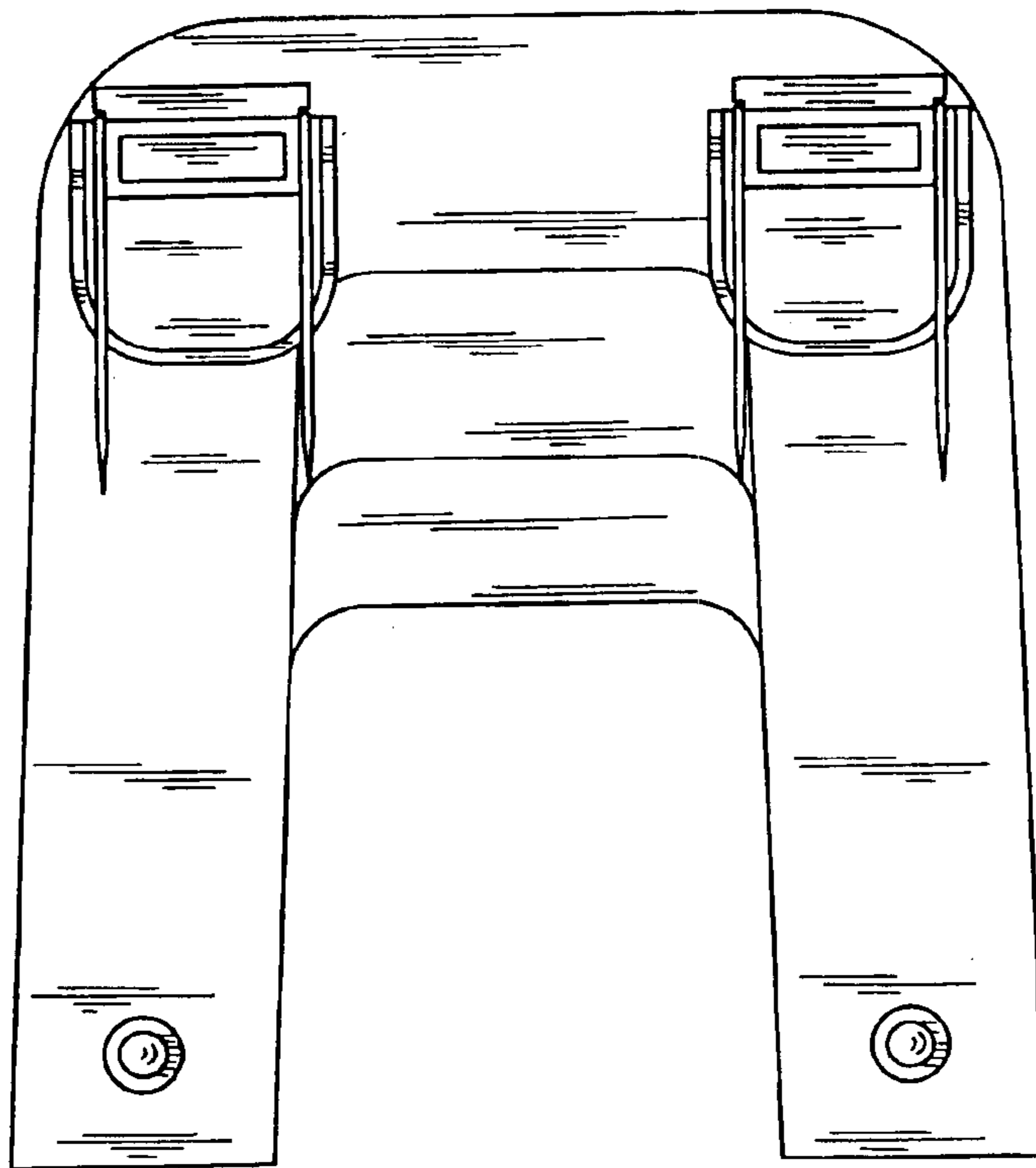


FIG. 3

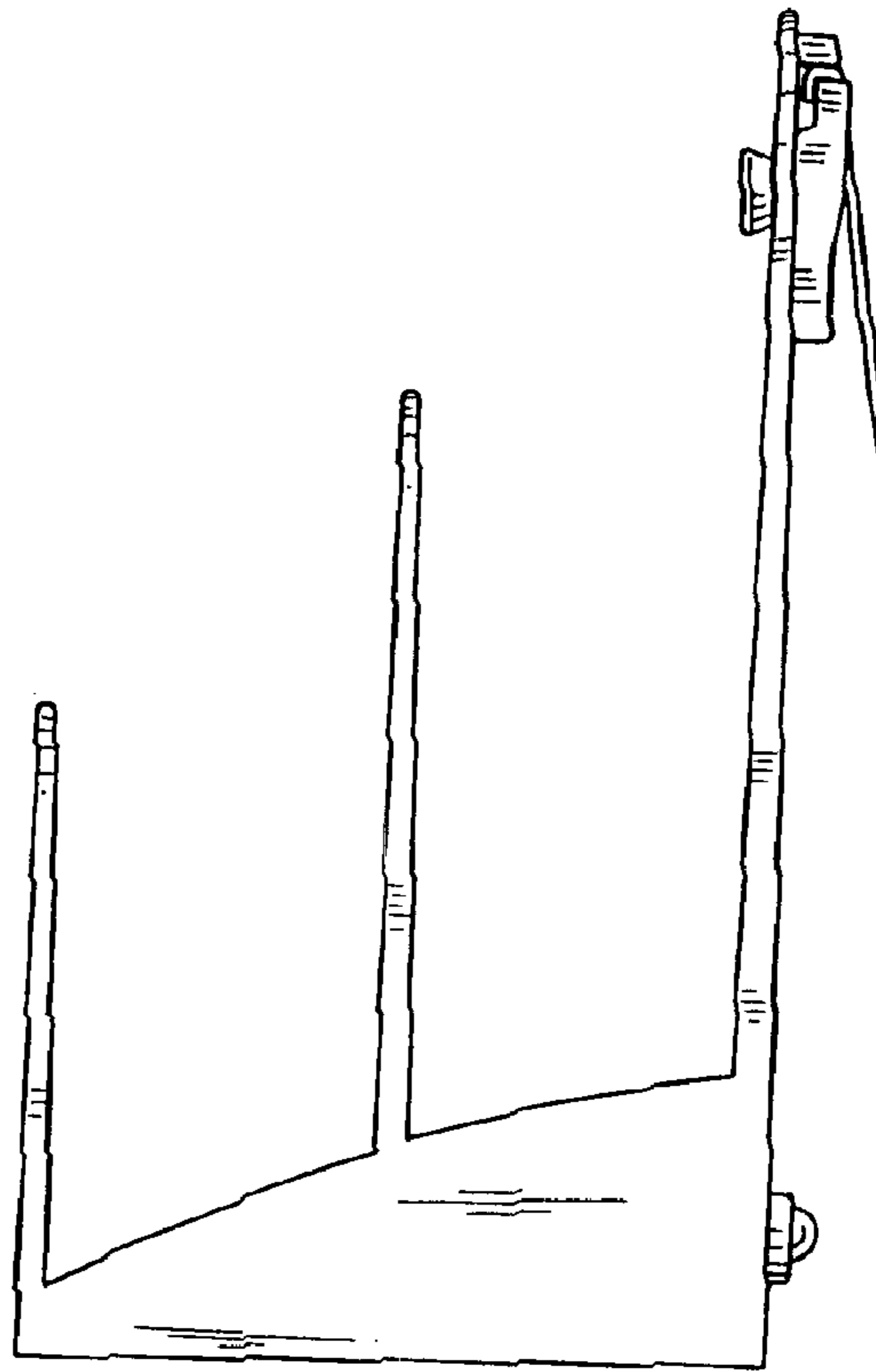


FIG. 4

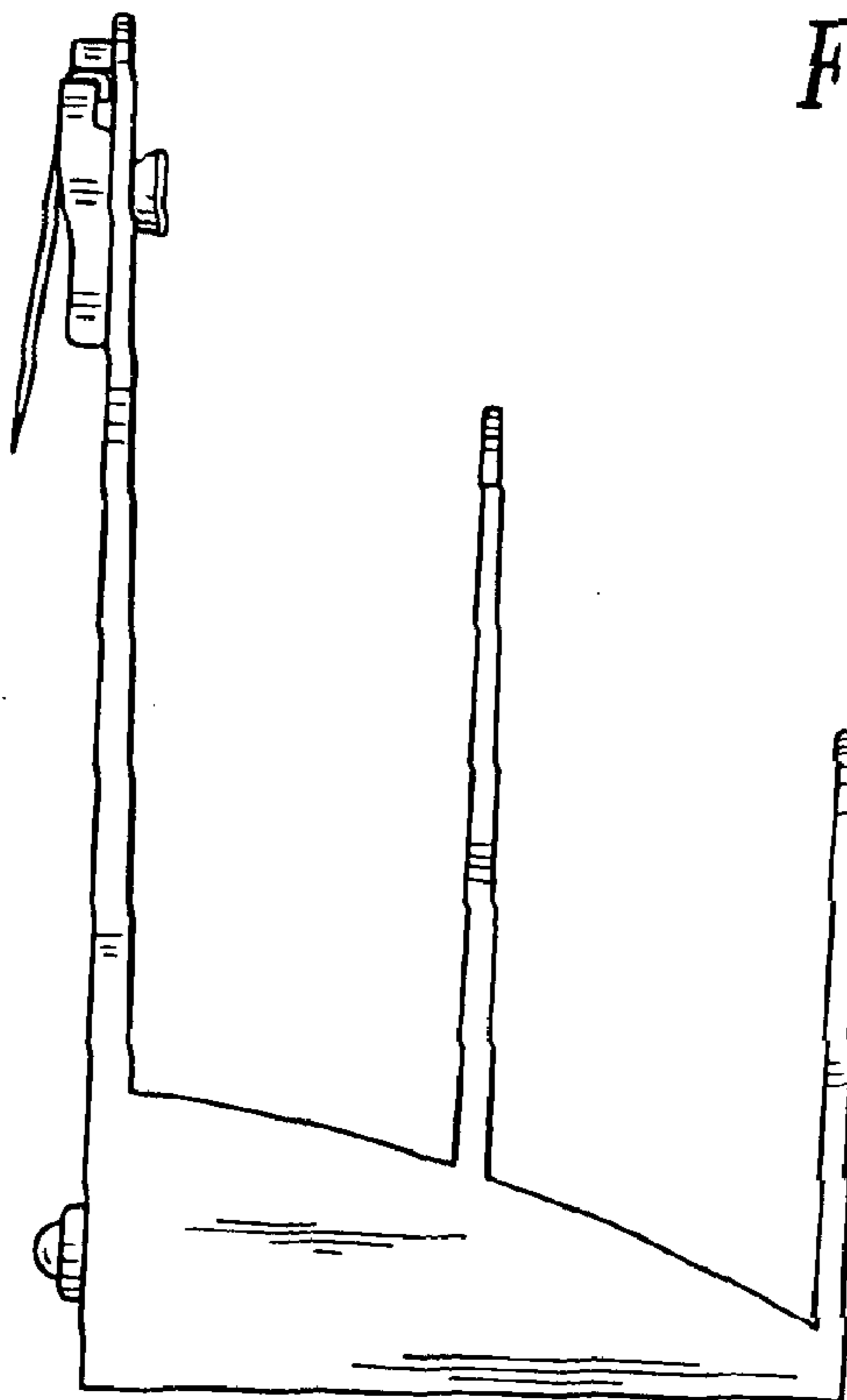
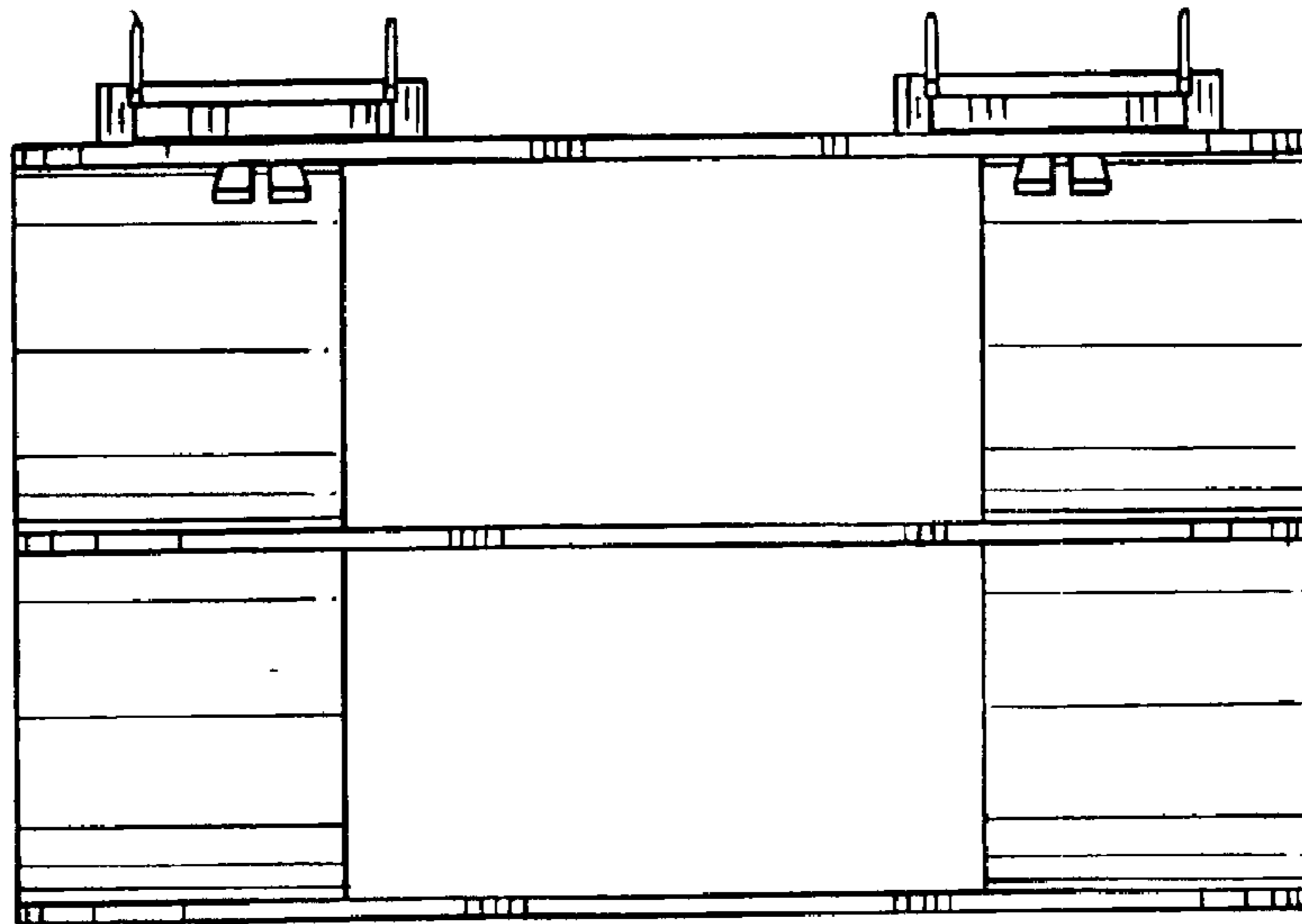
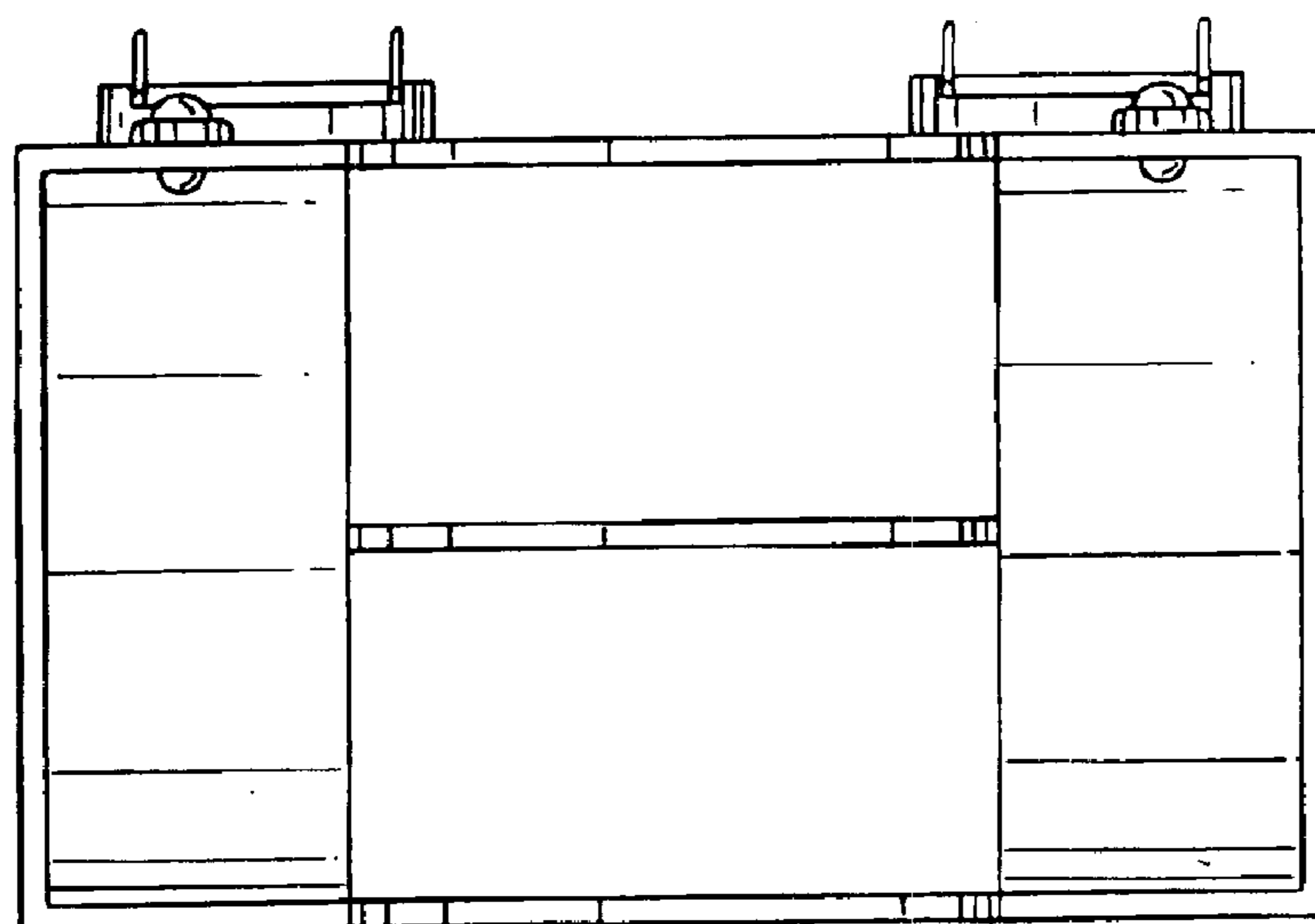


FIG. 5



*FIG. 6*



*FIG. 7*

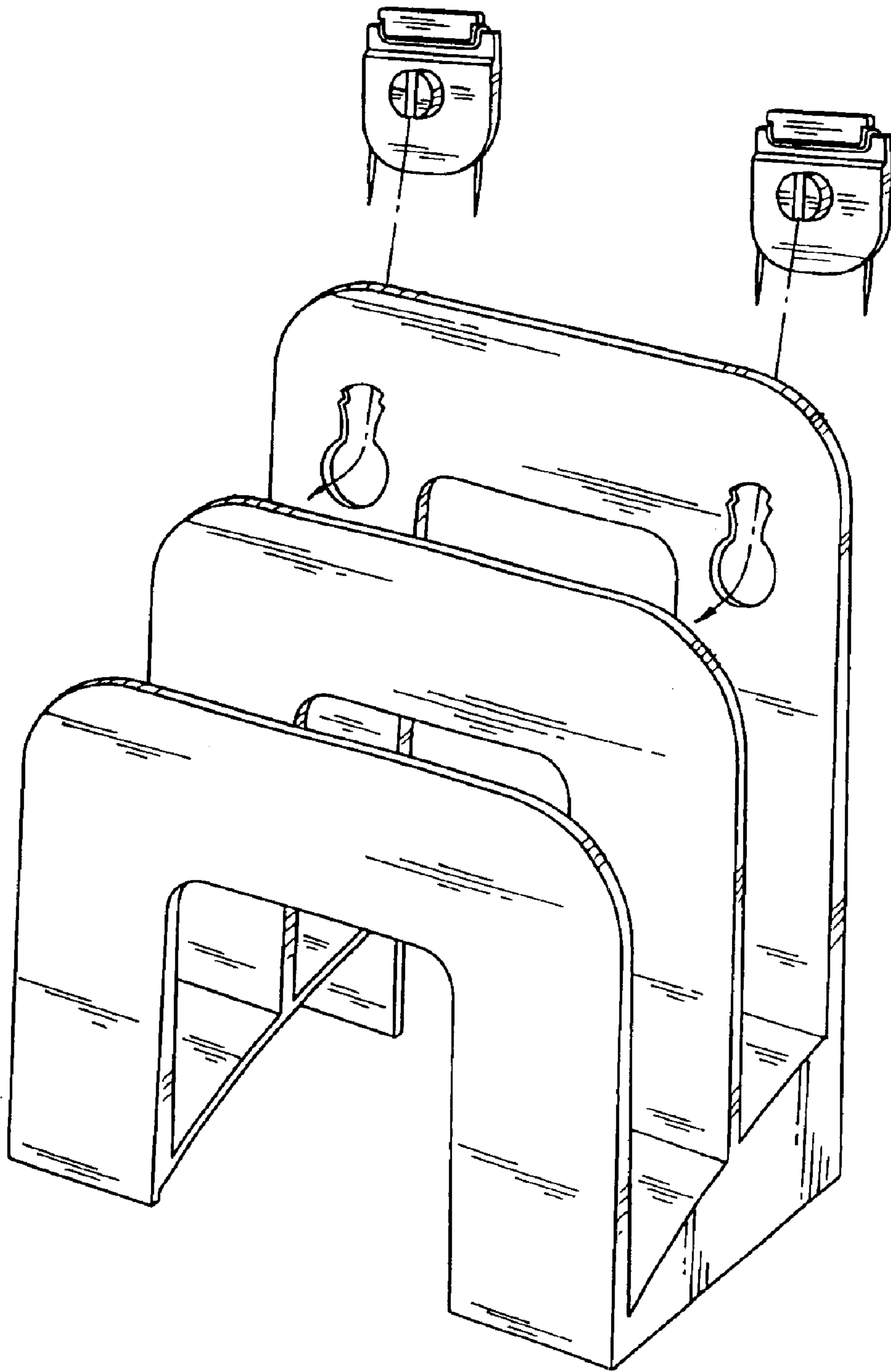


FIG. 8