

US00D502220S

(12) **United States Design Patent**
Stravitz

(10) **Patent No.: US D502,220 S**

(45) **Date of Patent: ** Feb. 22, 2005**

(54) **BROWSER/SORTER**

(76) **Inventor: David M. Stravitz**, 16 Park Ave., Suite 14A, New York, NY (US) 10016

(**) **Term: 14 Years**

(21) **Appl. No.: 29/191,270**

(22) **Filed: Oct. 3, 2003**

(51) **LOC (7) Cl. 19-02**

(52) **U.S. Cl. D19/90; D6/629; D19/75**

(58) **Field of Search D6/407, 627-630; D19/35, 36, 65, 75, 78, 86, 90, 91, 92, 95, 99, 100; 211/10, 11, 13.1, 42.1, 45, 50-52, 41.12, 87.01, 126.1, 88.01, 126.13; 220/529; 206/425; 312/183, 184, 290**

(56) **References Cited**

U.S. PATENT DOCUMENTS

744,350	A	*	11/1903	Jewell	211/11
807,084	A	*	12/1905	Muller	211/11
1,764,128	A	*	6/1930	Straubel	211/11
D148,076	S	*	12/1947	Keesing, Jr.	D19/76
3,358,692	A	*	12/1967	Prouix	220/529
D231,137	S	*	4/1974	Juhlin	D19/90
4,512,480	A	*	4/1985	Evenson	211/11
4,629,067	A	*	12/1986	Pavlik et al.	206/425
5,215,198	A	*	6/1993	Sutton	211/40

D353,158	S	*	12/1994	Evenson	D19/90
D388,121	S	*	12/1997	Gomez	D19/90
6,227,384	B1	*	5/2001	Saylor et al.	211/50

OTHER PUBLICATIONS

Related U.S. Appl. No. 10/702,205, filed Nov. 4, 2003; Inventor: David M. Stravitz; Title: Multi-Section Retaining/Sorting/Browsing Apparatus.

* cited by examiner

Primary Examiner—Martie K. Holtje

(74) *Attorney, Agent, or Firm*—Frishauf, Holtz, Goodman & Chick, P.C.

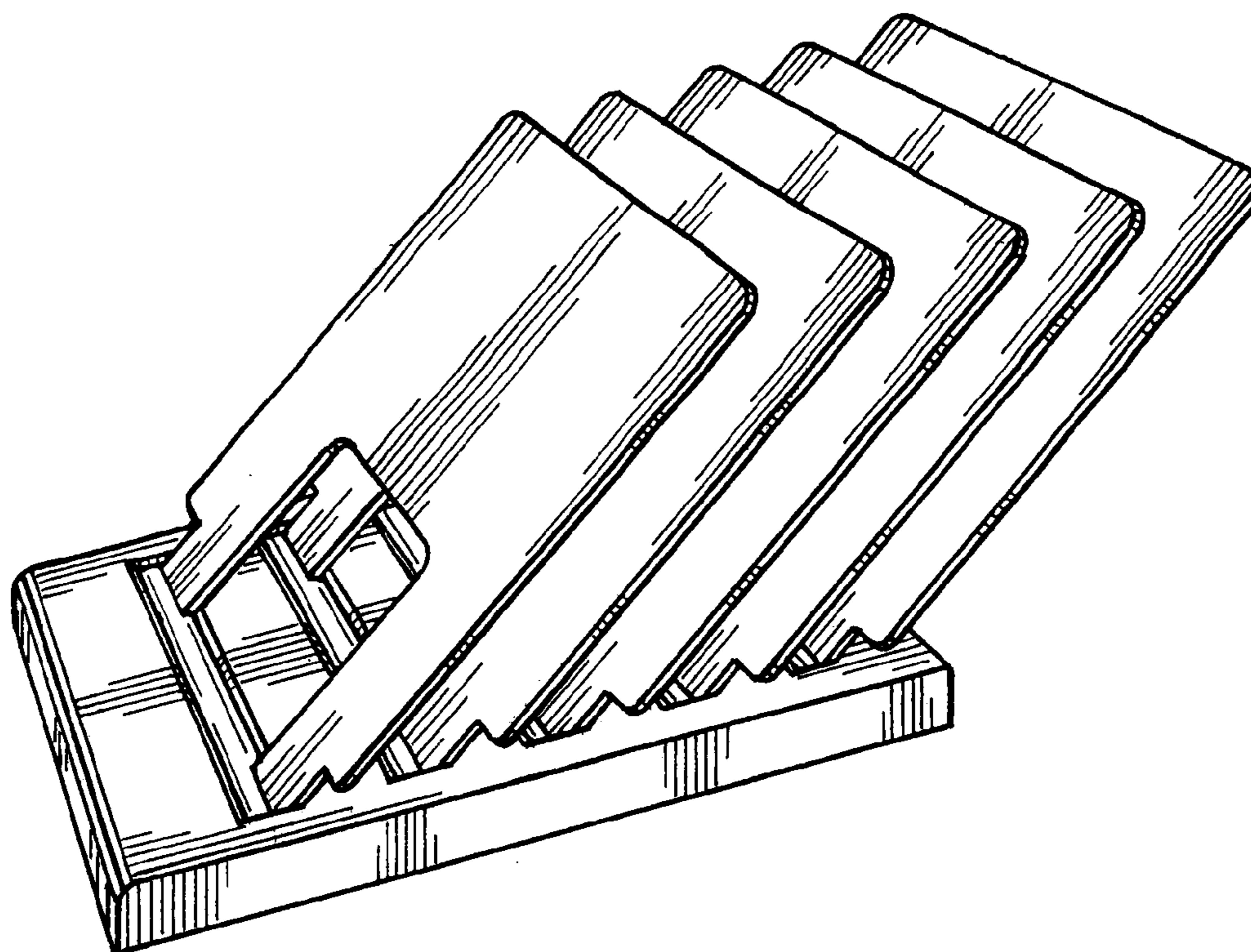
(57) **CLAIM**

The ornamental design for a browser/sorter, as shown and described.

DESCRIPTION

FIG. 1 is a top, front, right side perspective view of a browser/sorter showing my new design; FIG. 2 is a front elevational view thereof; FIG. 3 is a right side elevational view thereof, the left side being a mirror image; FIG. 4 is a rear elevational view thereof; and, FIG. 5 is a top plan view thereof, the bottom plan view being plain and unornamented.

1 Claim, 2 Drawing Sheets



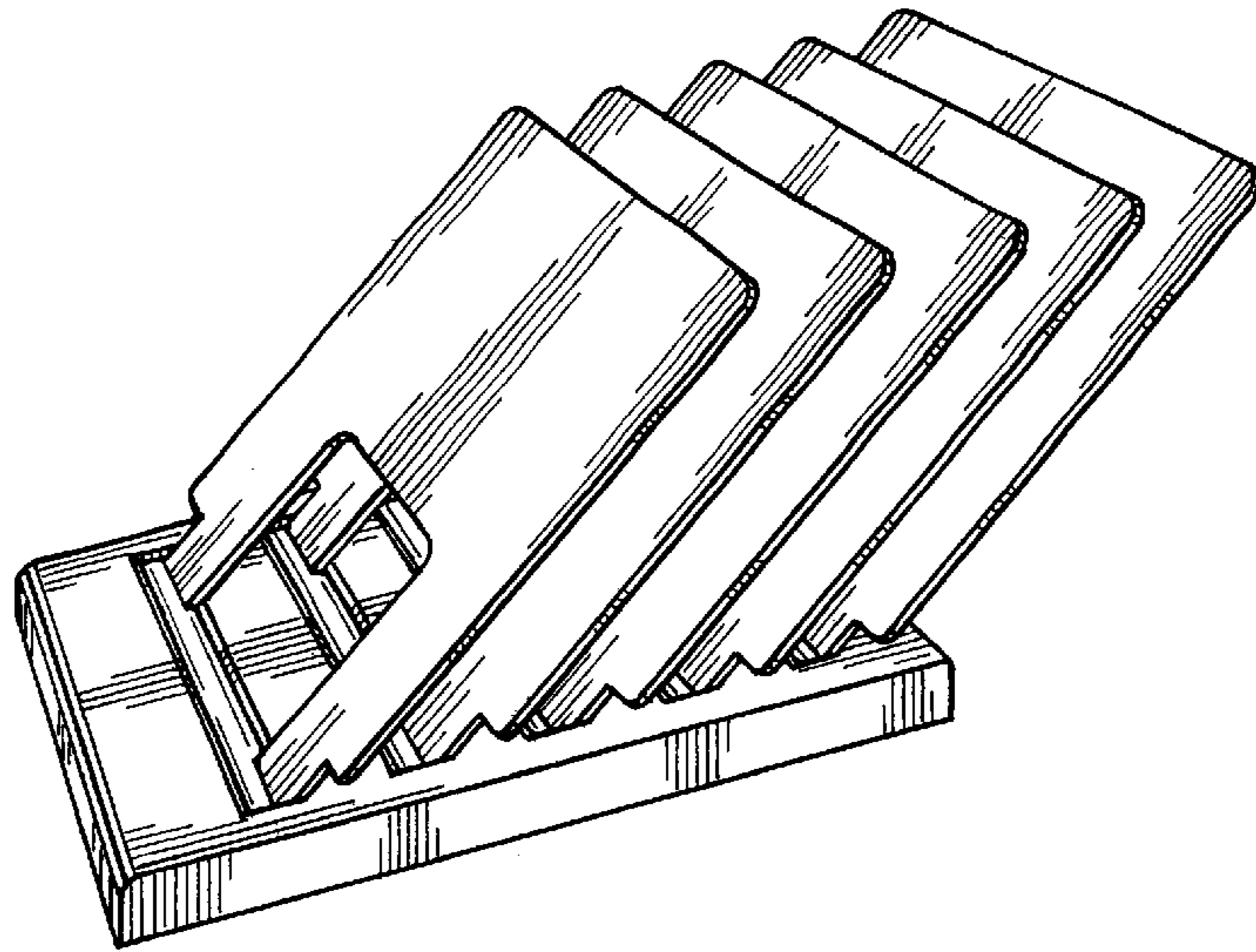


Fig. 1

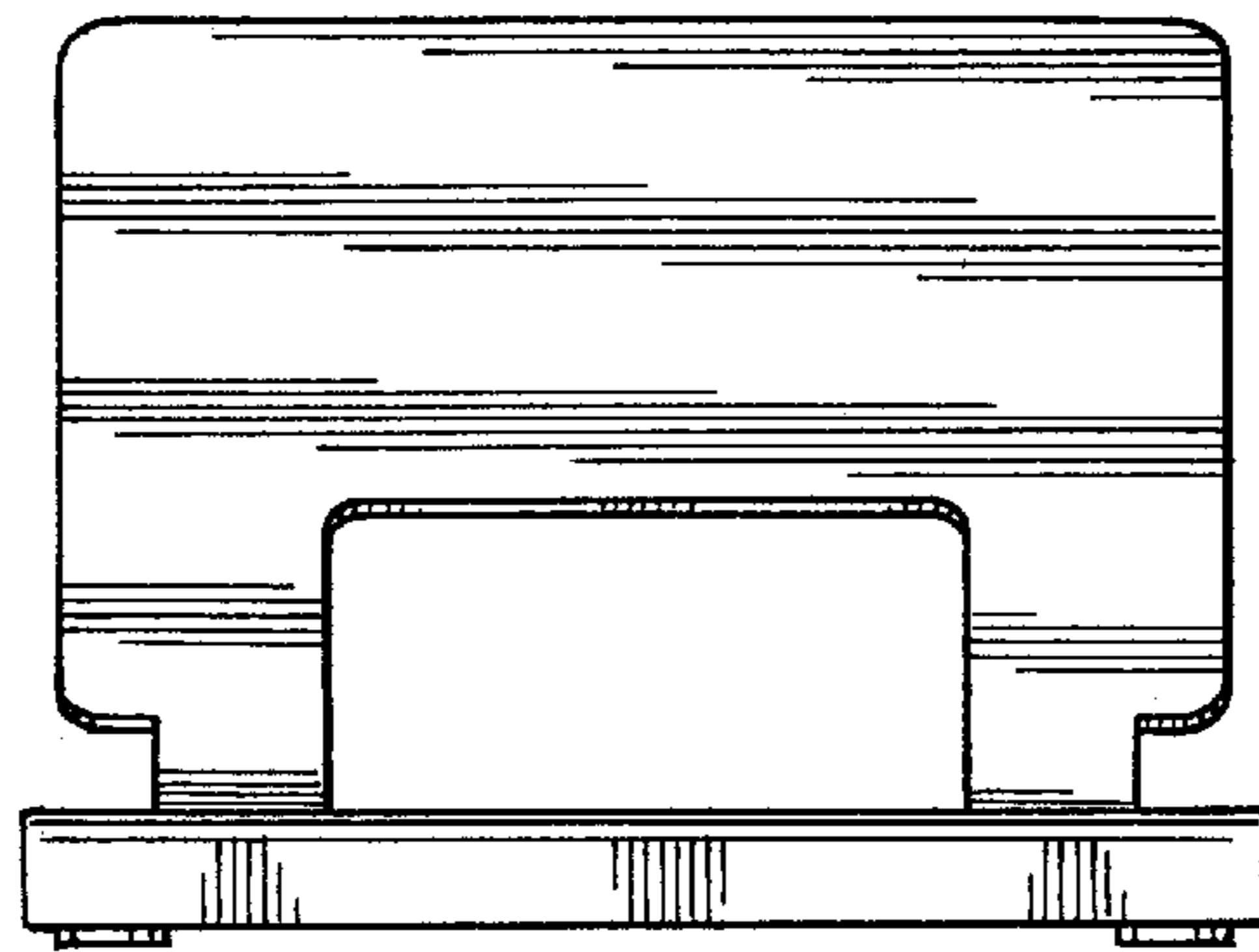


Fig. 2

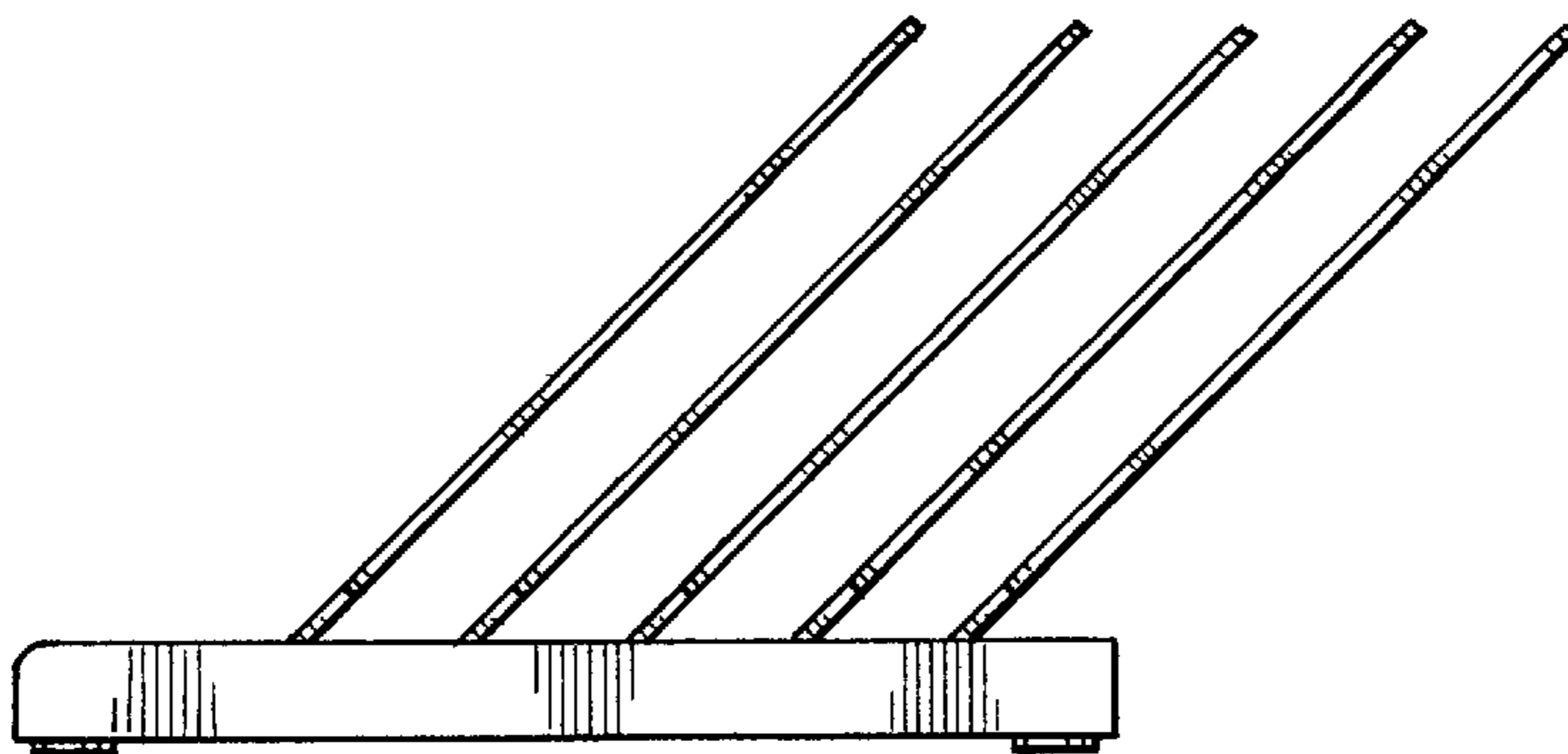


Fig. 3

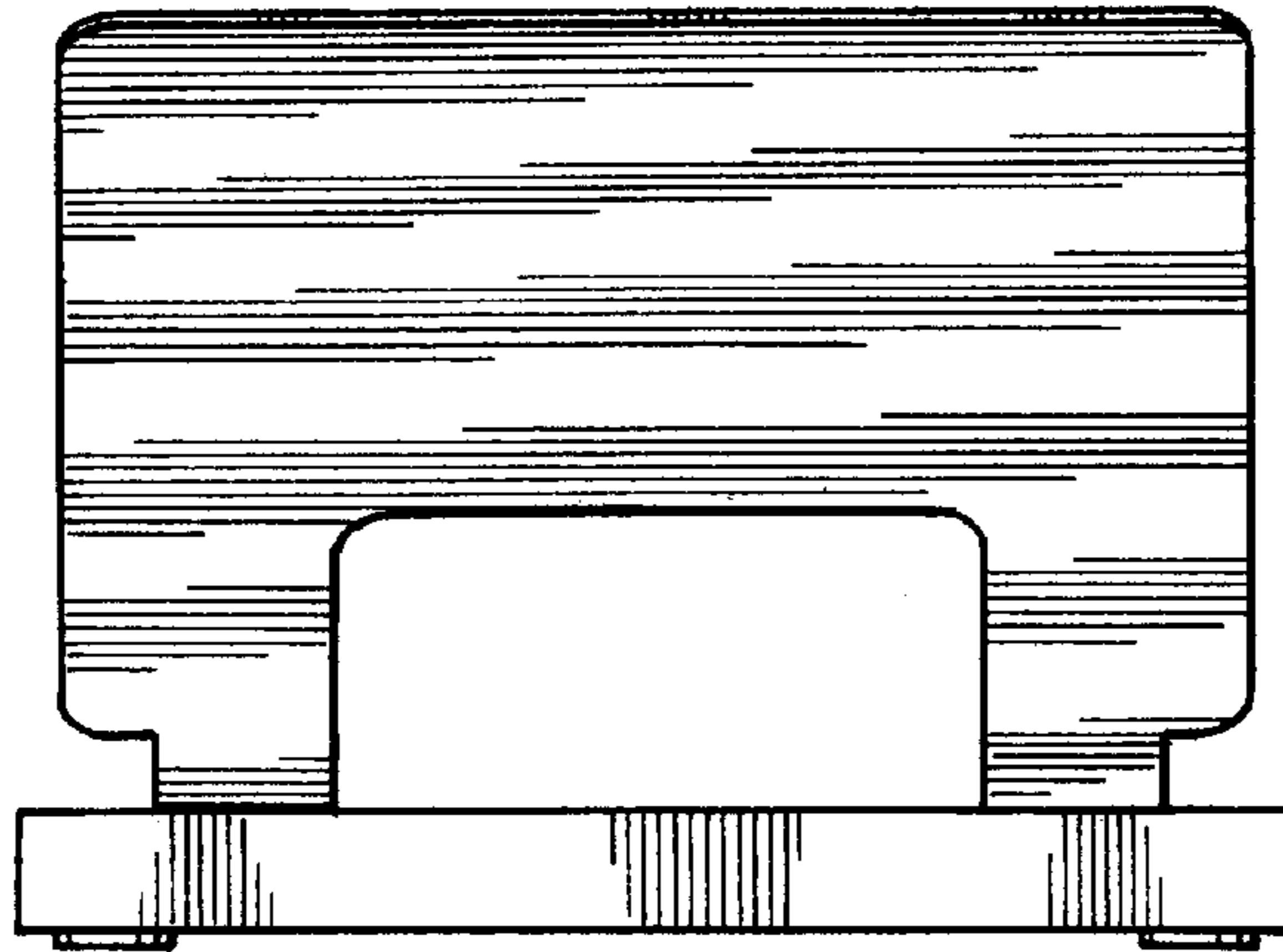


Fig. 4

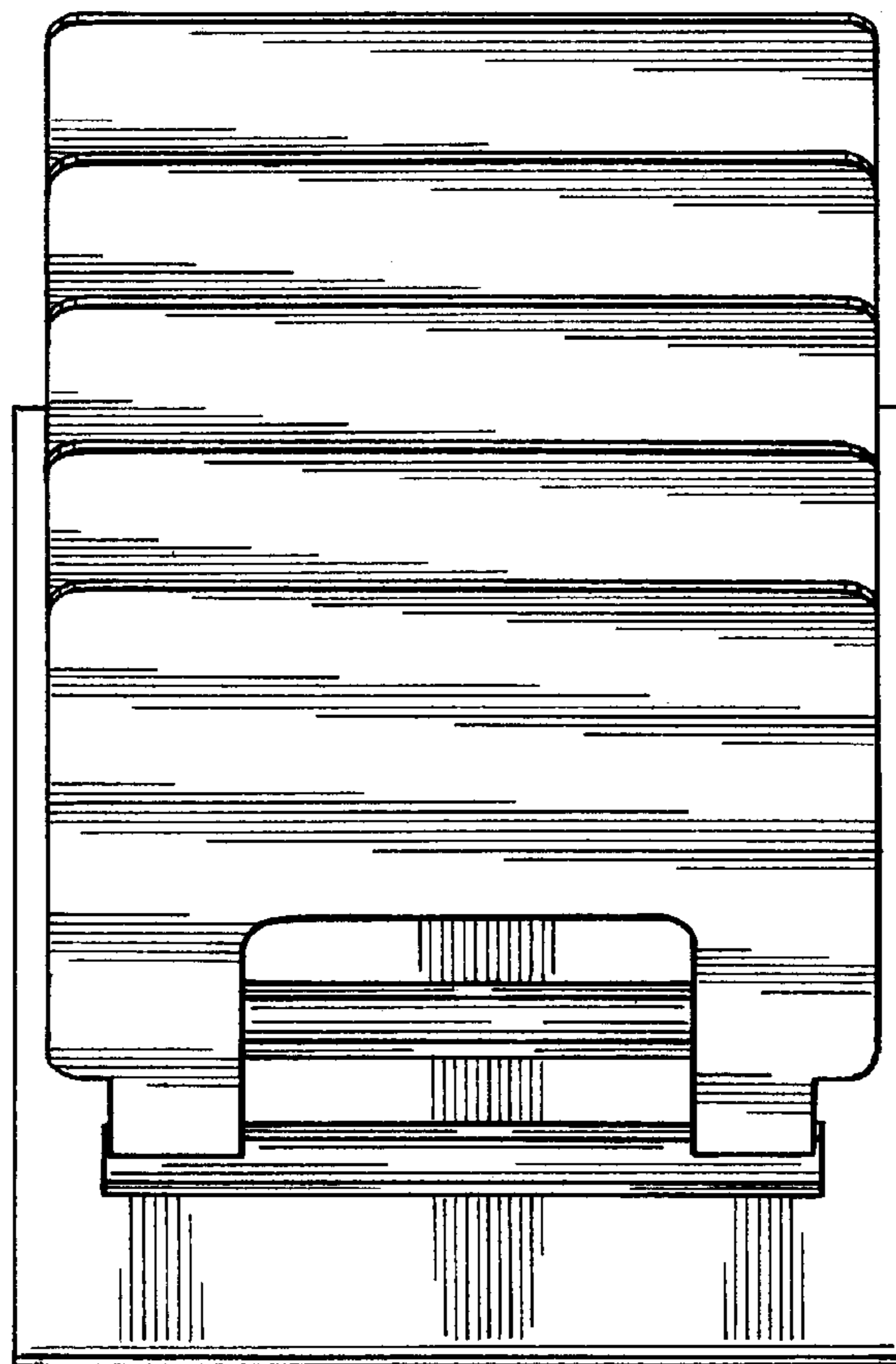


Fig. 5